



US00D471329S

(12) **United States Design Patent**
Heun

(10) **Patent No.:** **US D471,329 S**

(45) **Date of Patent:** **** Mar. 4, 2003**

(54) **ELECTRIC CLEANER/POLISHER**

(75) **Inventor:** **Ping Hay Heun, Aberdeen (HK)**

(73) **Assignee:** **Choon Nang Electrical Appliance Mfy., Ltd., Aberdeen (HK)**

(**) **Term:** **14 Years**

(21) **Appl. No.:** **29/158,272**

(22) **Filed:** **Apr. 3, 2002**

(30) **Foreign Application Priority Data**

Jan. 31, 2002 (GB) 3001157

(51) **LOC (7) Cl.** **15-05**

(52) **U.S. Cl.** **D32/15**

(58) **Field of Search** D32/1, 15, 19;
D8/61-70; 15/97.1, DIG. 10; 451/353-360,
344

(56) **References Cited**

U.S. PATENT DOCUMENTS

2,553,688 A * 5/1951 Thompson 451/344
D243,742 S * 3/1977 House, II et al. D8/69
D332,558 S * 1/1993 Hoshino et al. D8/62

D336,229 S * 6/1993 Bunyea D8/62
5,496,207 A * 3/1996 Hornung et al. 451/357
D418,642 S * 1/2000 Rees D32/19
D431,437 S * 10/2000 Niwa et al. D8/62
6,394,884 B1 * 5/2002 Wuensch 451/357

* cited by examiner

Primary Examiner—Nelson C. Holtje

(74) *Attorney, Agent, or Firm*—Leydig, Voit & Mayer, Ltd.

(57) **CLAIM**

The ornamental design for an electric cleaner/polisher, as shown and described.

DESCRIPTION

FIG. 1 is a front end, left side and top perspective view of an electric cleaner/polisher showing my new design;

FIG. 2 is a rear end, right side and top perspective view thereof;

FIG. 3 is a left side elevational view thereof;

FIG. 4 is a right side elevational view thereof;

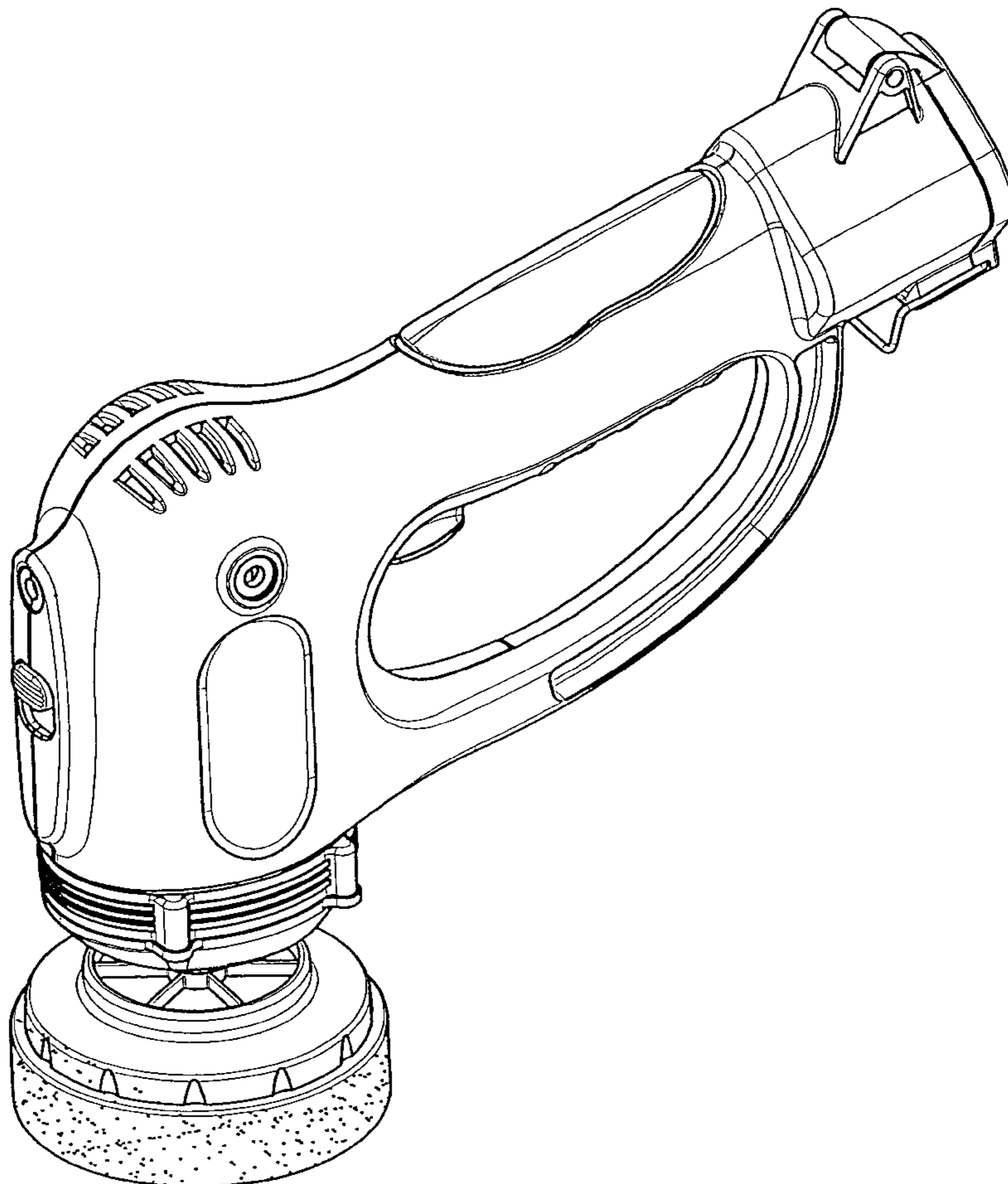
FIG. 5 is a front end elevational view thereof;

FIG. 6 is a rear end elevational view thereof;

FIG. 7 is a top plan view thereof; and,

FIG. 8 is a bottom plan view thereof.

1 Claim, 6 Drawing Sheets



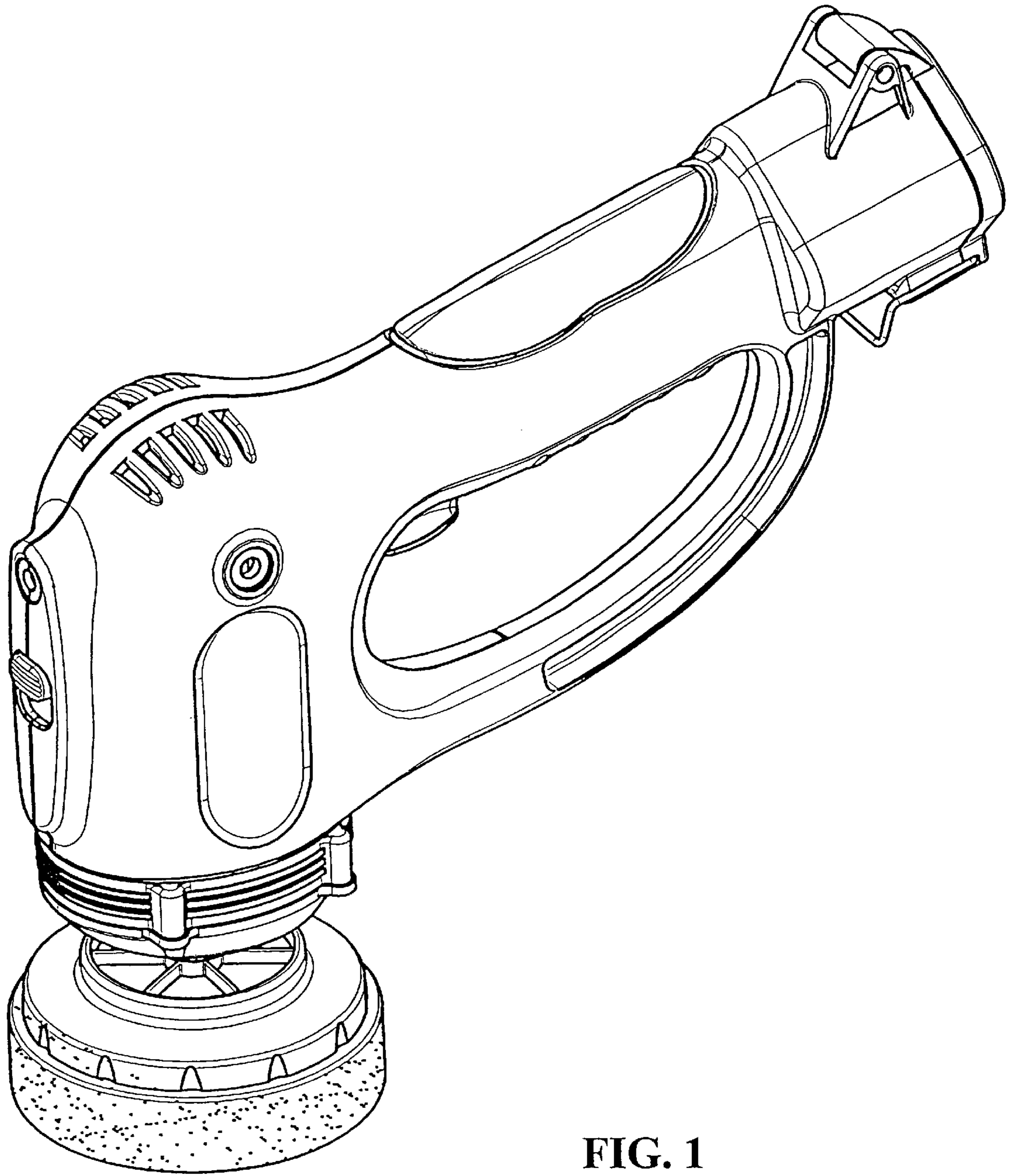


FIG. 1

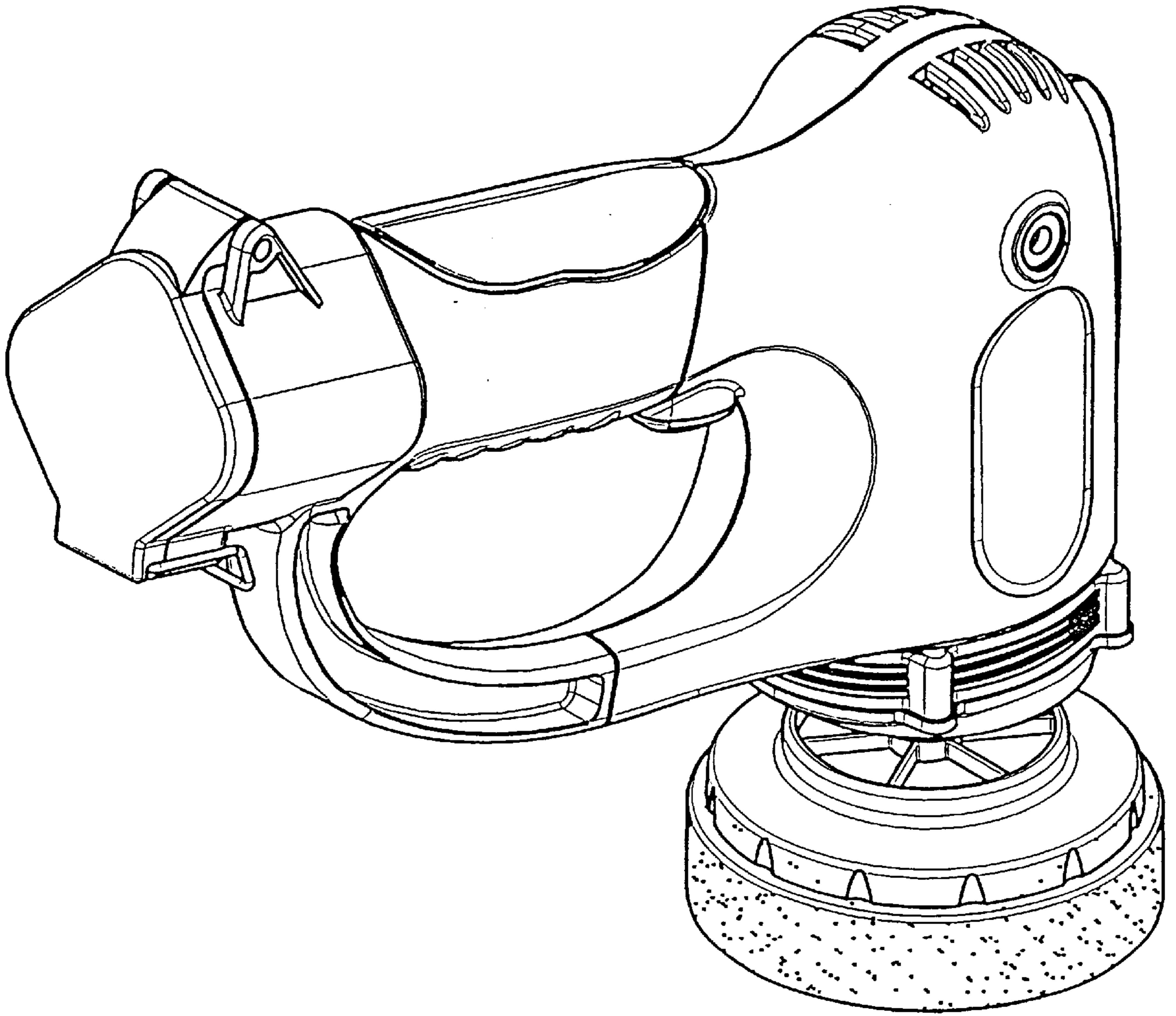


FIG. 2

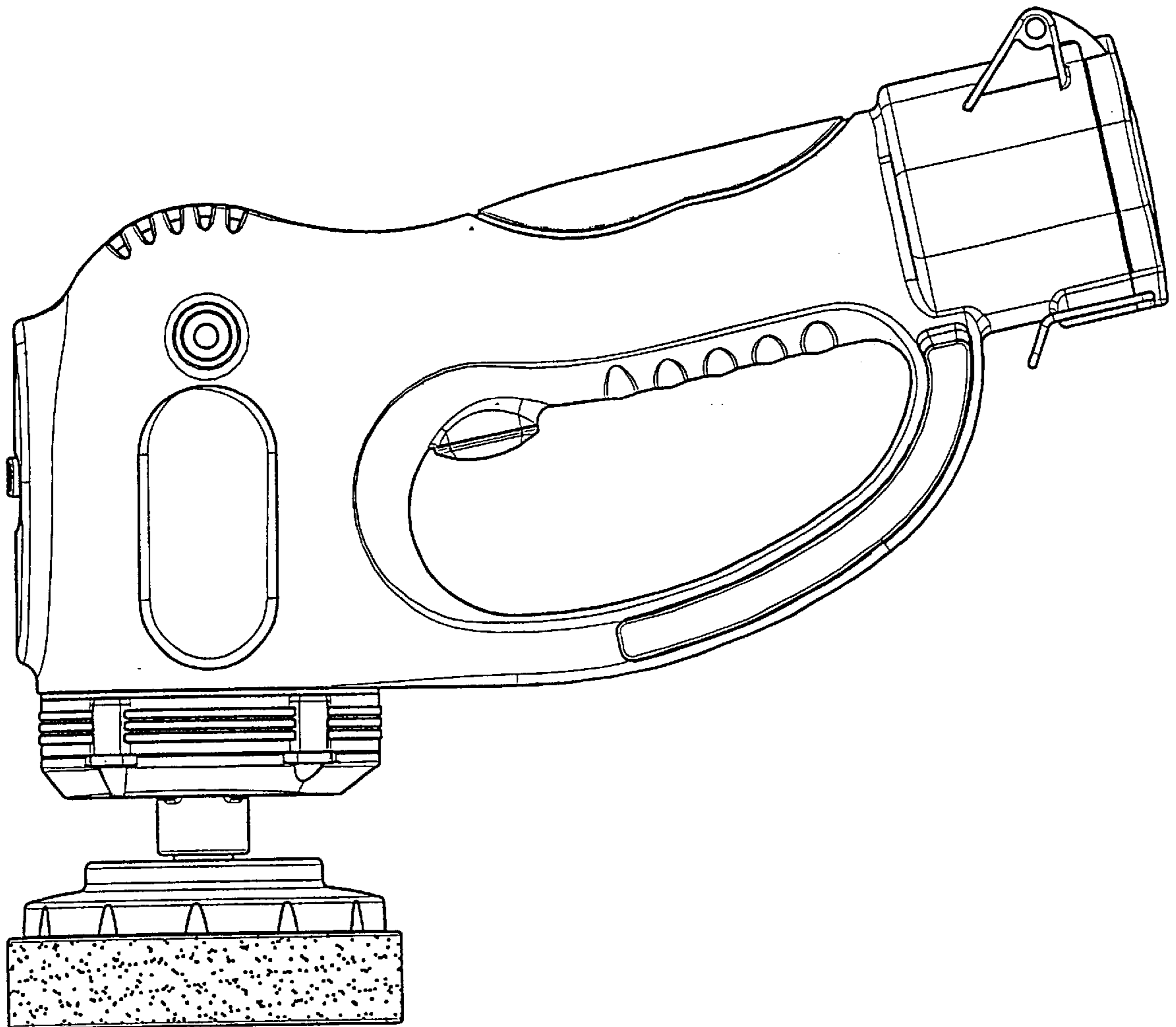


FIG. 3

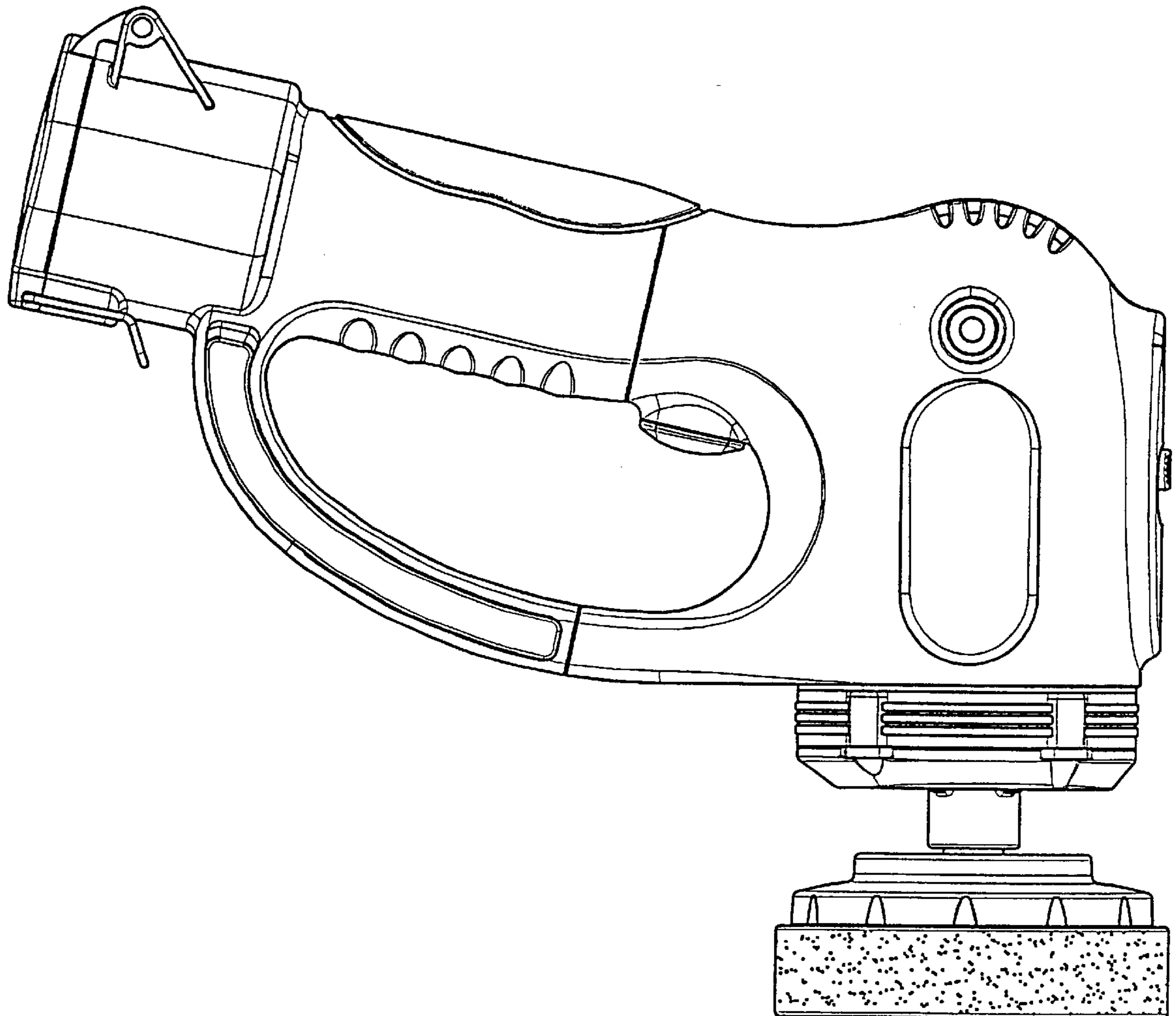


FIG. 4

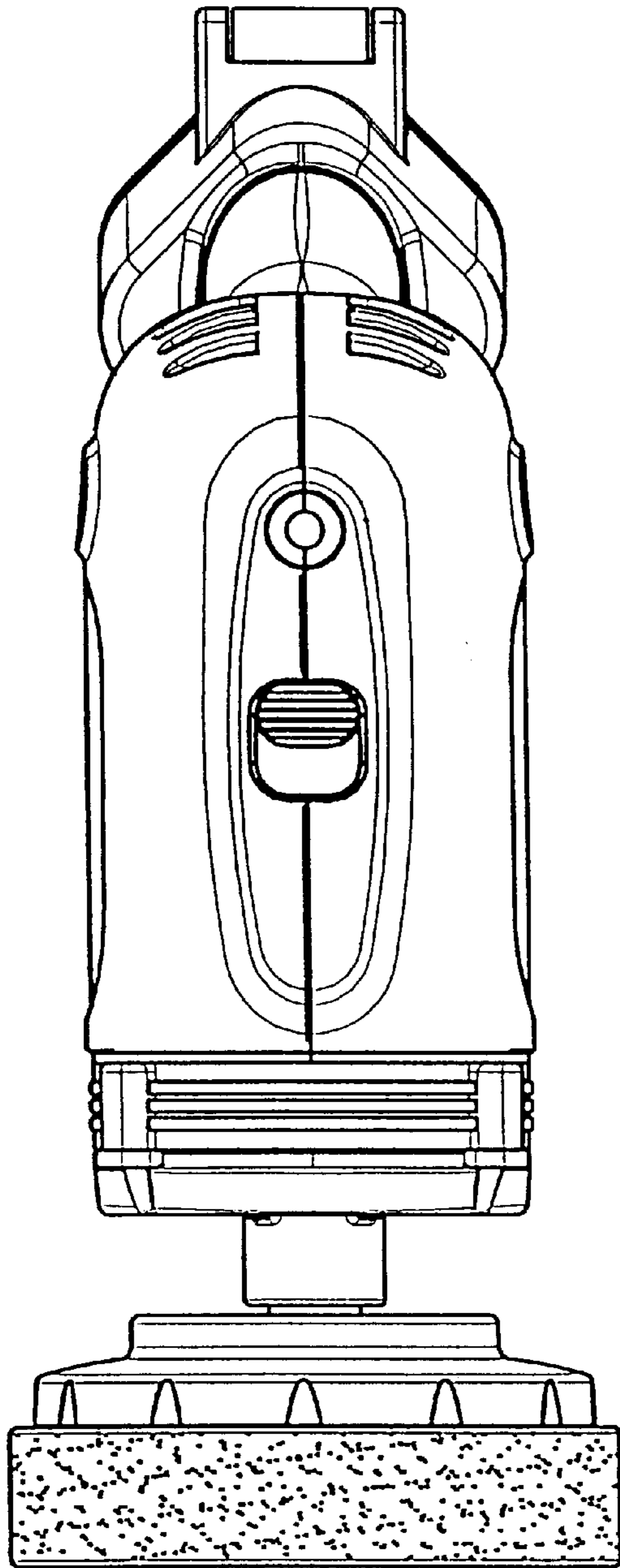


FIG. 5

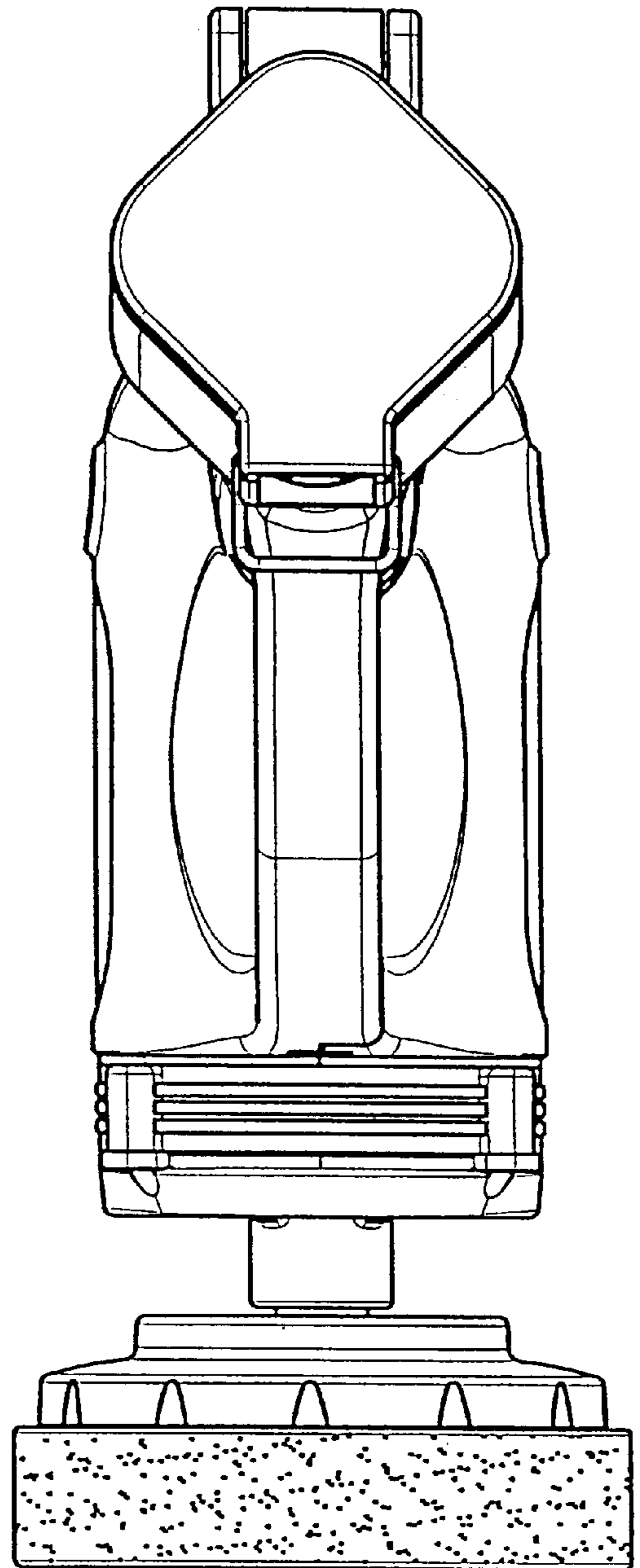


FIG. 6

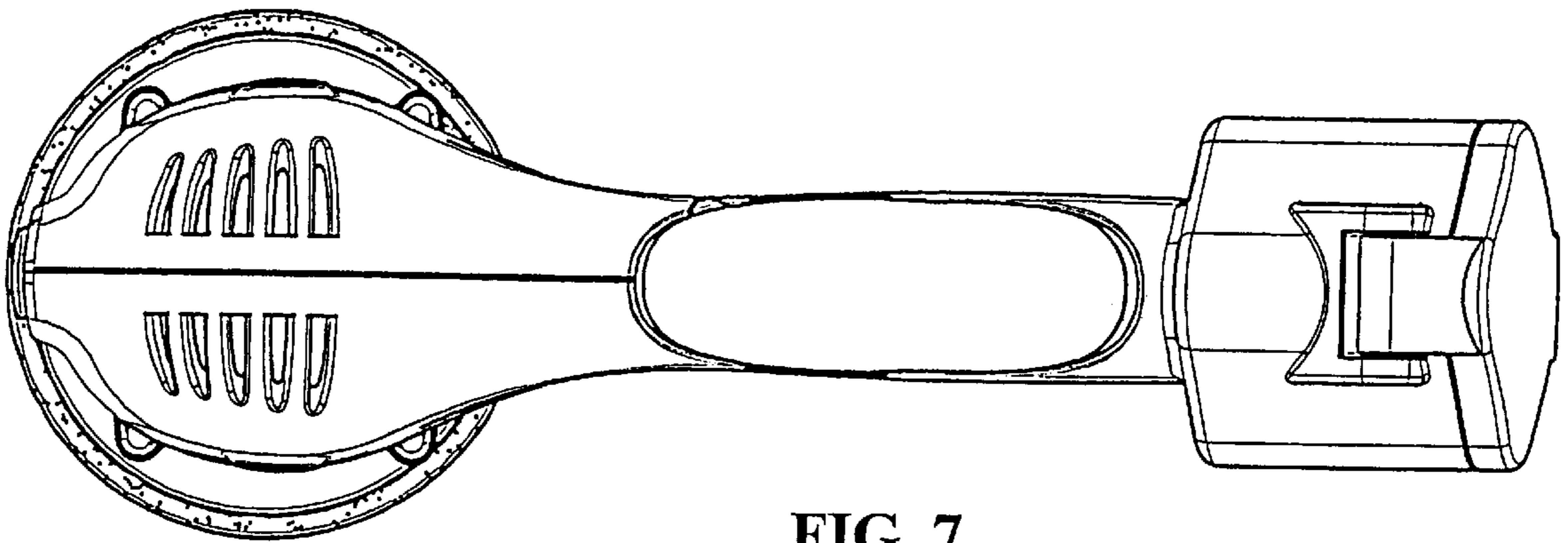


FIG. 7

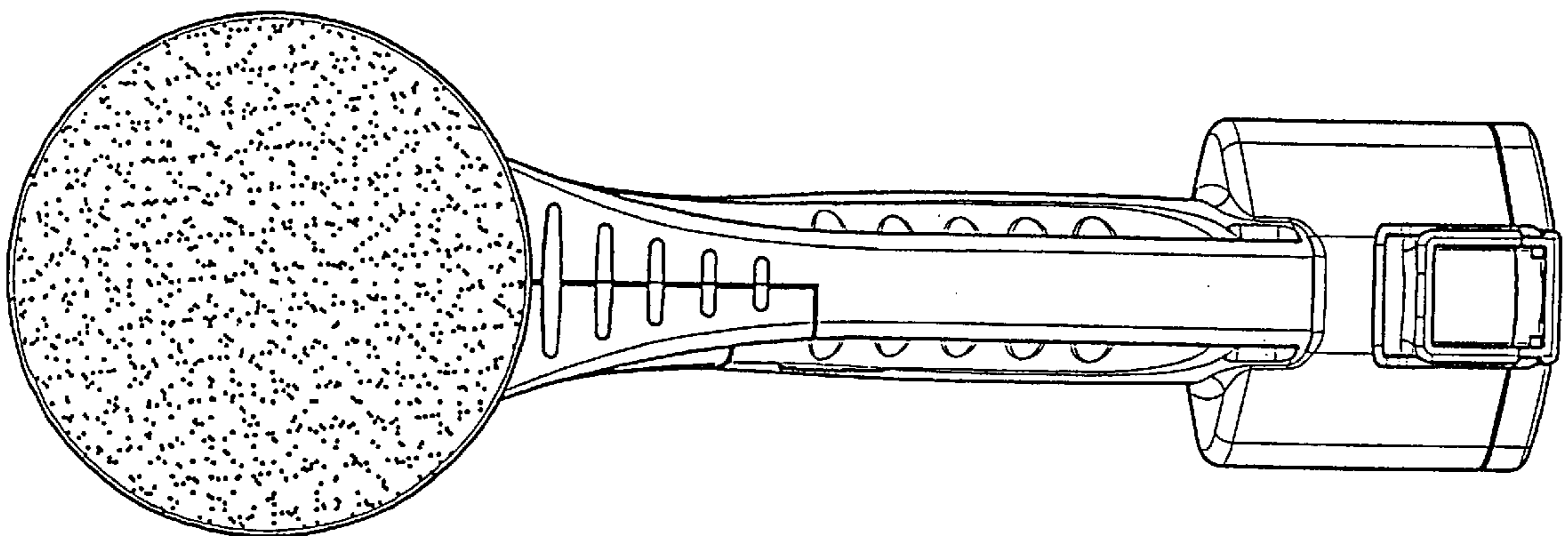


FIG. 8