



US00D471328S

(12) **United States Design Patent**
Hanna

(10) **Patent No.:** **US D471,328 S**

(45) **Date of Patent:** **** Mar. 4, 2003**

(54) **HARNESS BUCKLE**

(75) Inventor: **Tom Hanna**, Wichita, KS (US)

(73) Assignee: **Rose America Corporation**, Wichita, KS (US)

(**) Term: **14 Years**

(21) Appl. No.: **29/164,807**

(22) Filed: **Aug. 1, 2002**

(51) **LOC (7) Cl.** **30-04**

(52) **U.S. Cl.** **D30/152; D11/218**

(58) **Field of Search** **D30/152; D11/218, D11/216, 200; D2/408, 405, 427; 24/169, 198, 199, 200, 196, 194, 171, 614-616, 163 R**

(56) **References Cited**

U.S. PATENT DOCUMENTS

D264,260 S	*	5/1982	Terino, Jr.	D30/152
D395,618 S	*	6/1998	Cohen et al.	D11/218
D477,089	*	8/2001	Kung	D11/216

* cited by examiner

Primary Examiner—Pamela Burgess

(74) *Attorney, Agent, or Firm*—Shoemaker and Mattare

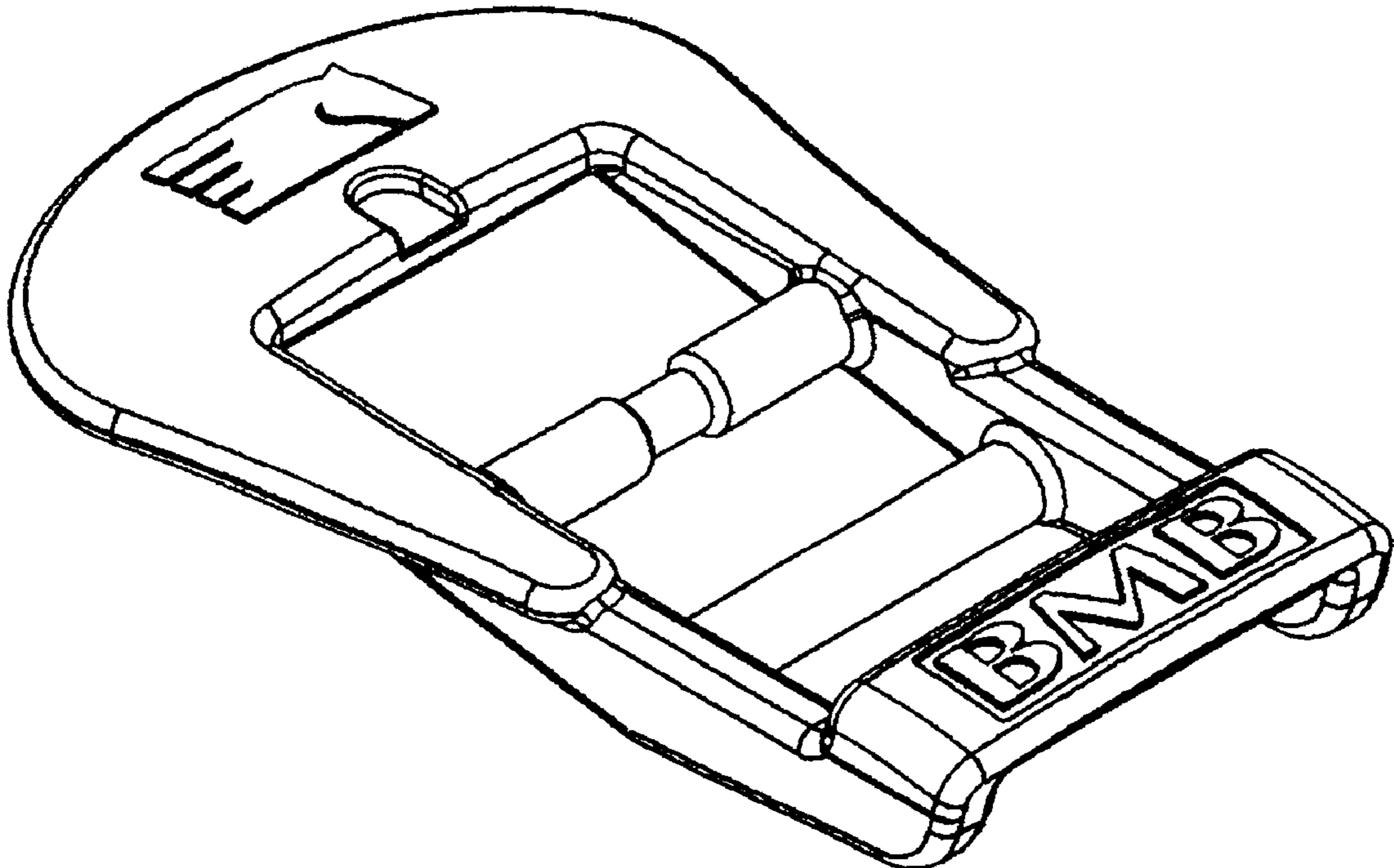
(57) **CLAIM**

The ornamental design for a harness buckle, as shown and described.

DESCRIPTION

FIG. 1 is a perspective view of a harness buckle, showing my new design from above;
 FIG. 2 is a top plan view thereof;
 FIG. 3 is a front elevation thereof;
 FIG. 4 is a left side view thereof;
 FIG. 5 is a rear elevation thereof;
 FIG. 6 is a right side view thereof; and
 FIG. 7 is a bottom plan view thereof.
 FIG. 8 is a perspective view of a second embodiment of a harness buckle showing my new design;
 FIG. 9 is a top plan view thereof;
 FIG. 10 is a front elevation thereof;
 FIG. 11 is a left side view thereof;
 FIG. 12 is a rear elevation thereof;
 FIG. 13 is a right side view thereof; and,
 FIG. 14 is a bottom plan view thereof.

1 Claim, 4 Drawing Sheets



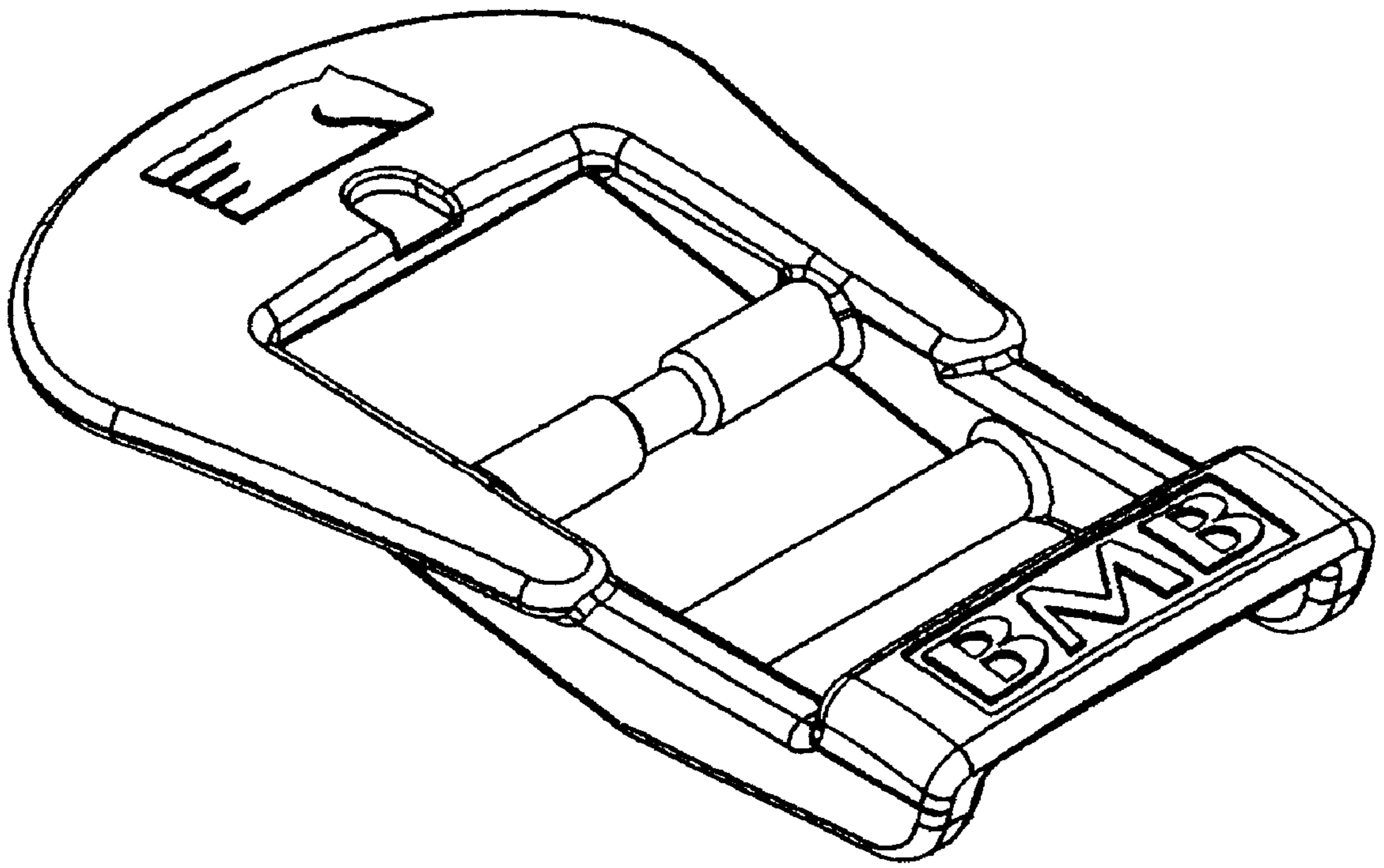


FIG. 1

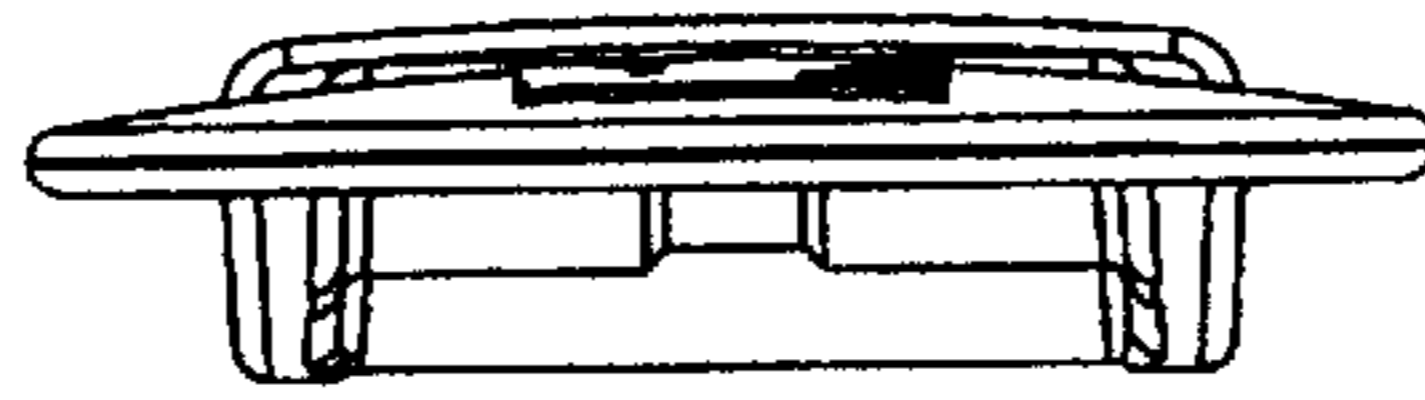


FIG. 5



FIG. 4

FIG. 2

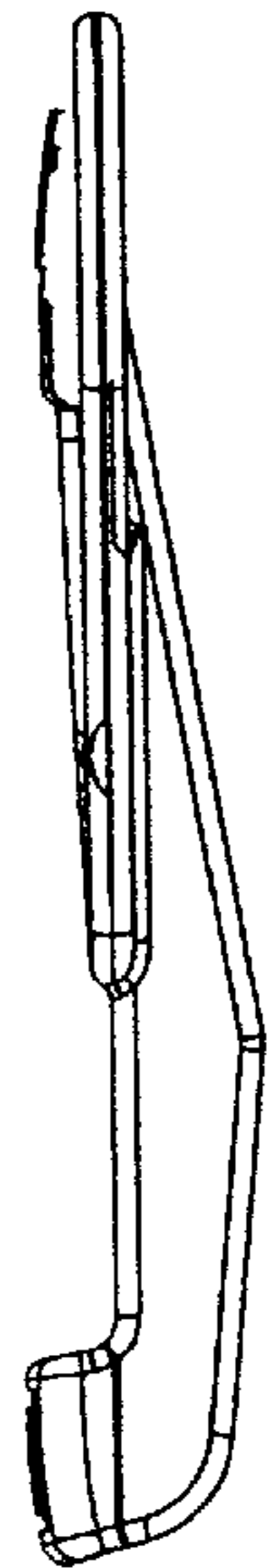
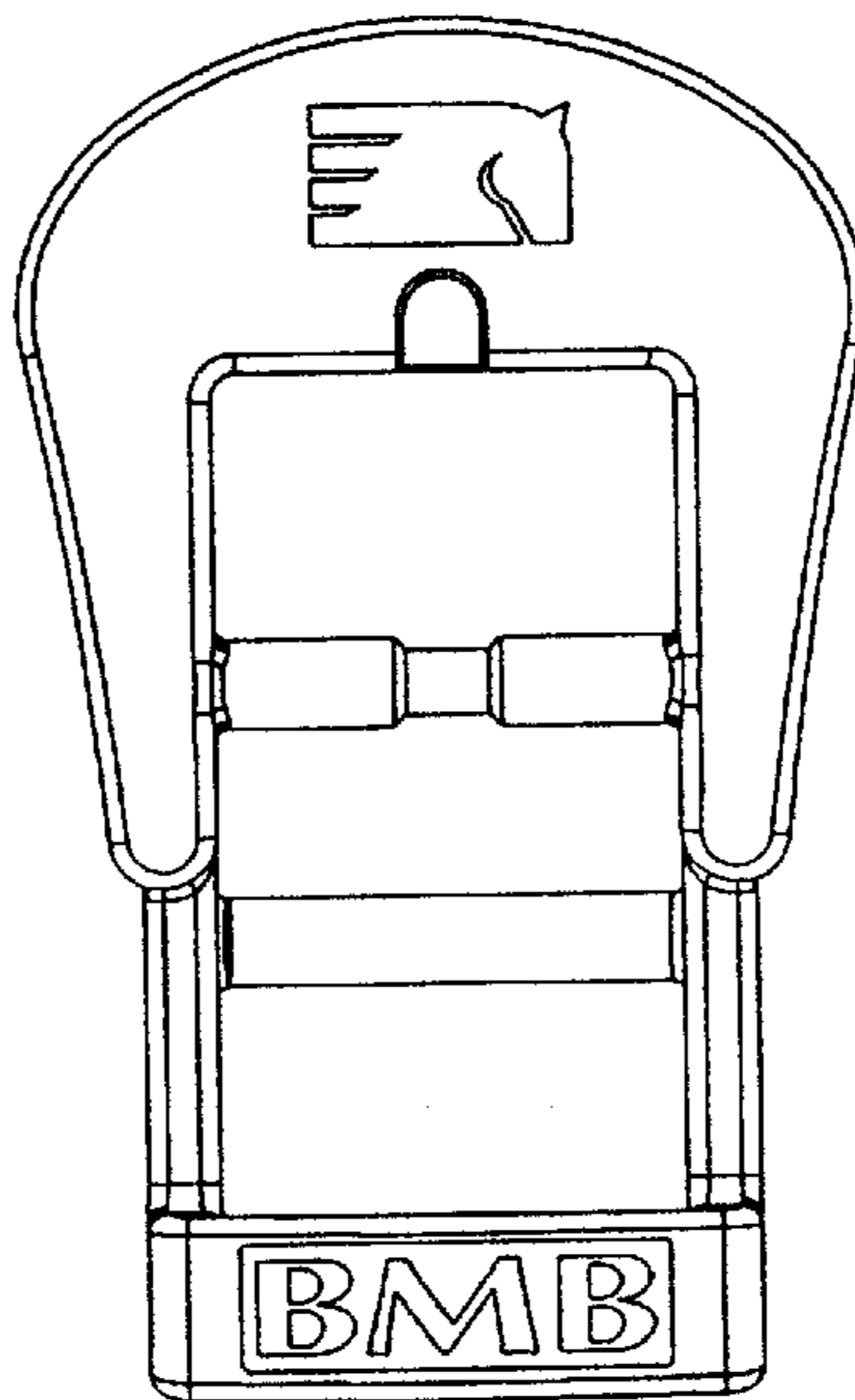


FIG. 6

FIG. 3

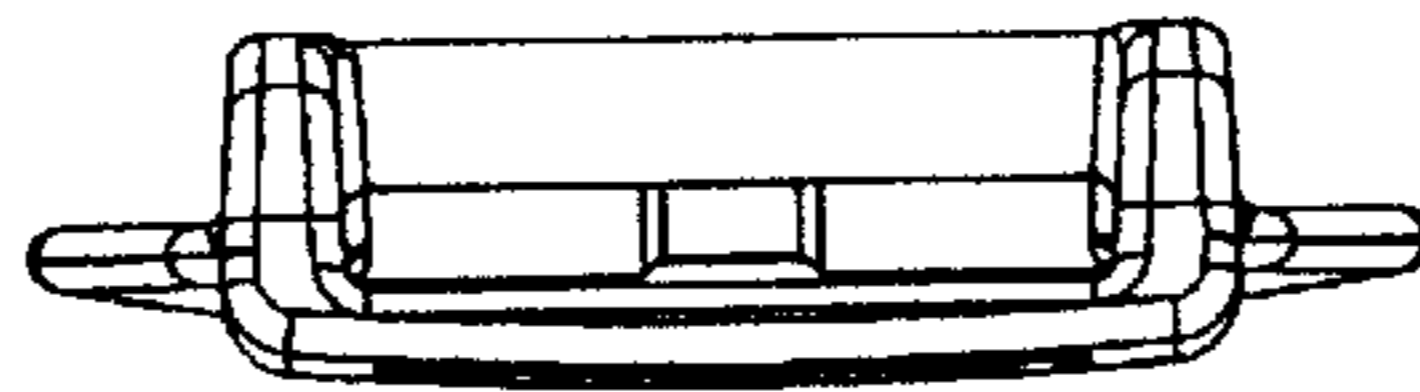
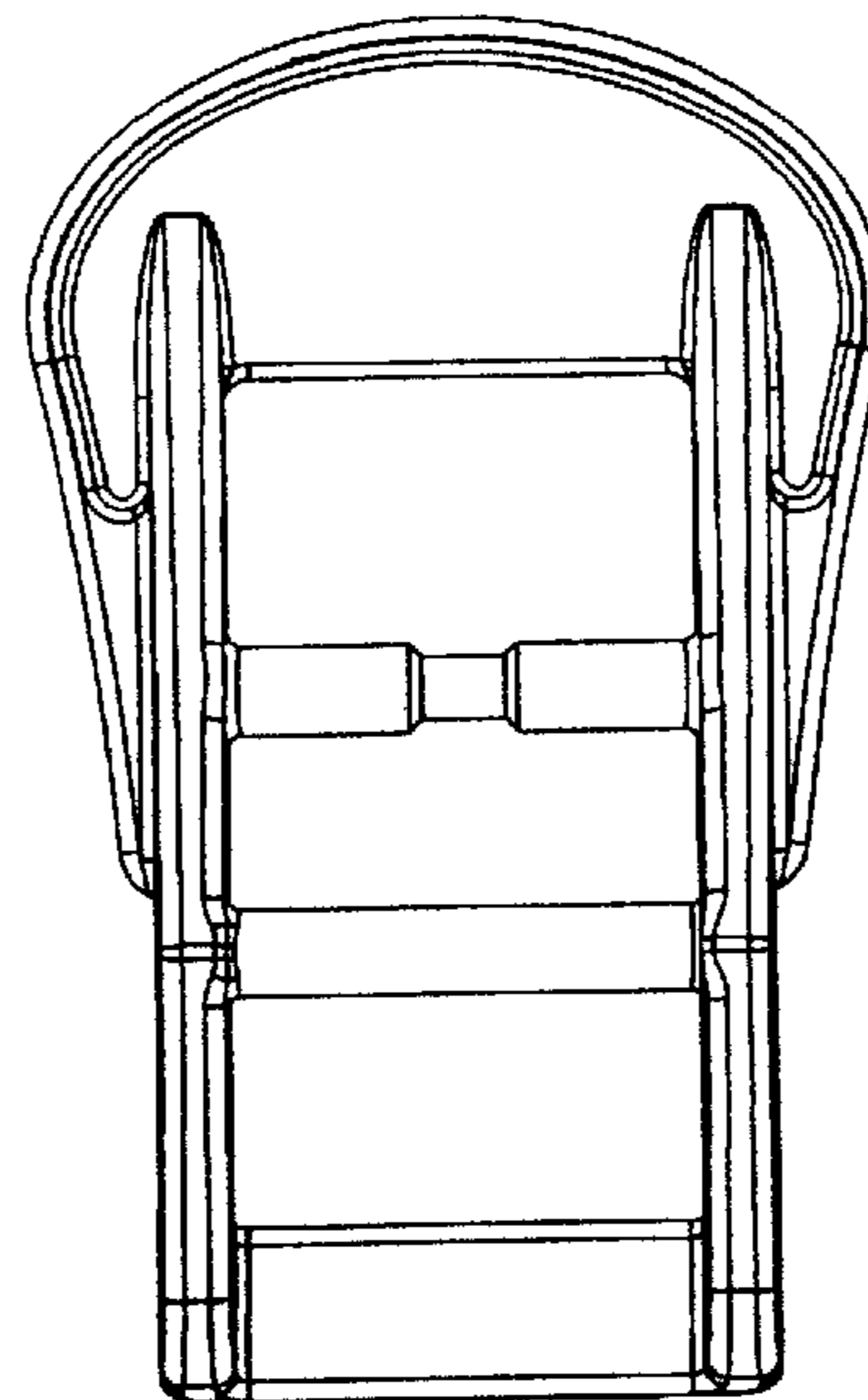


FIG. 7



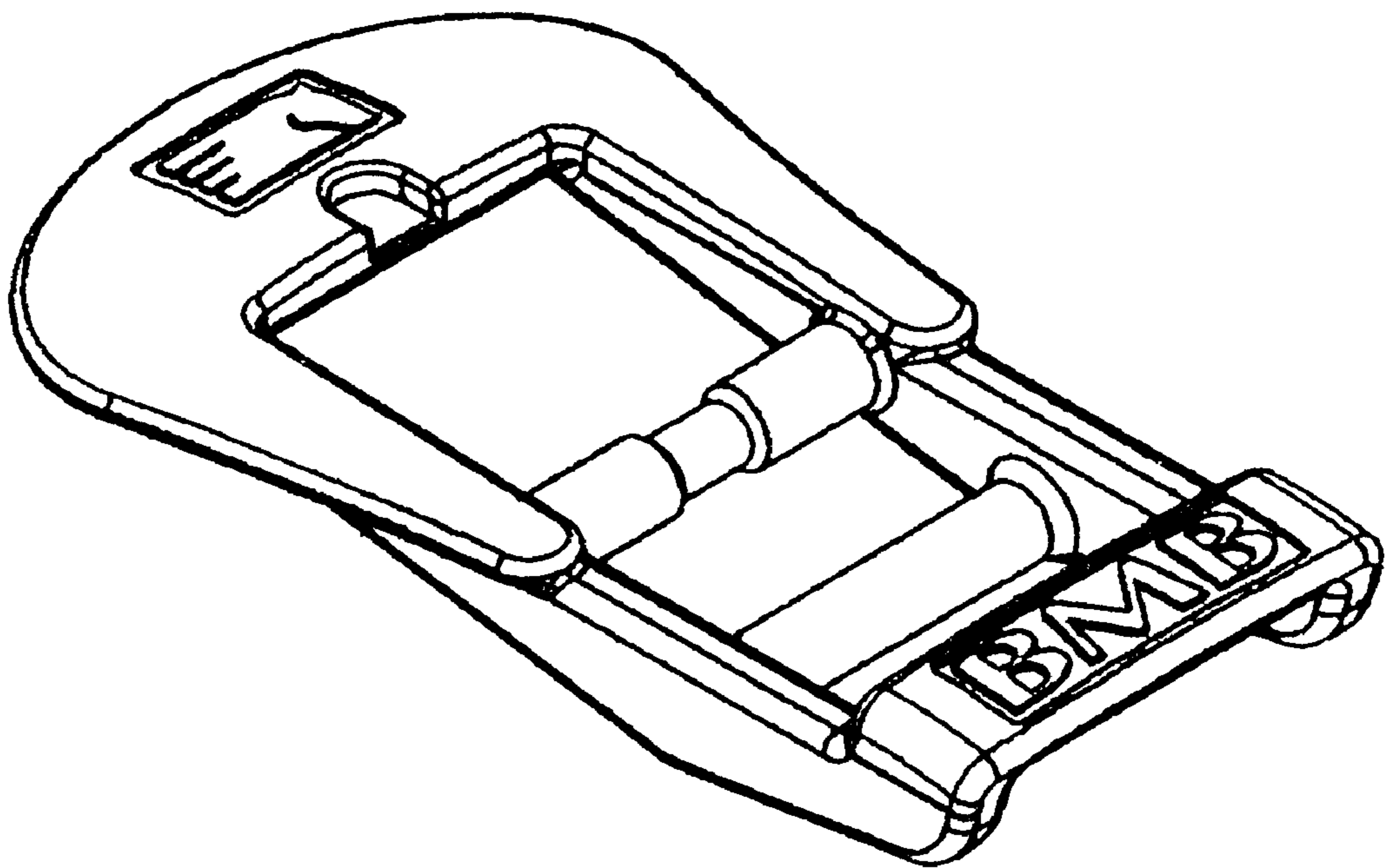


FIG. 8



FIG. 12

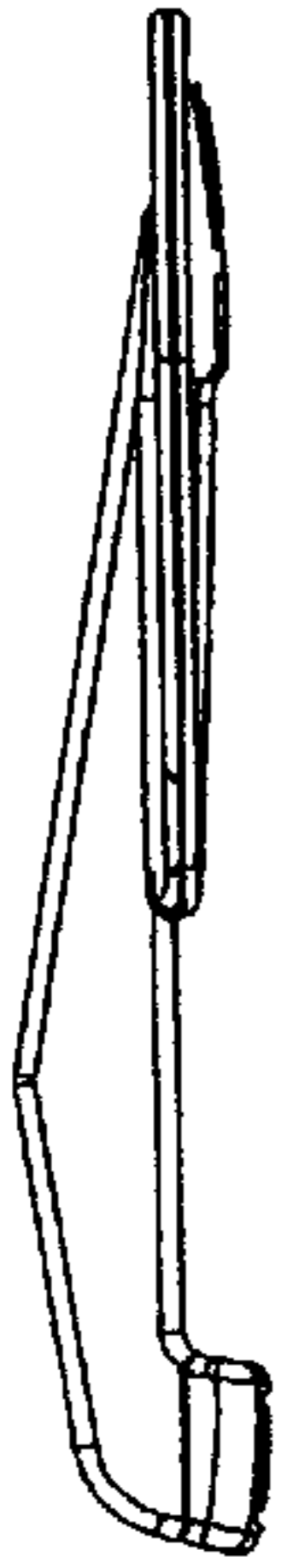


FIG. 9

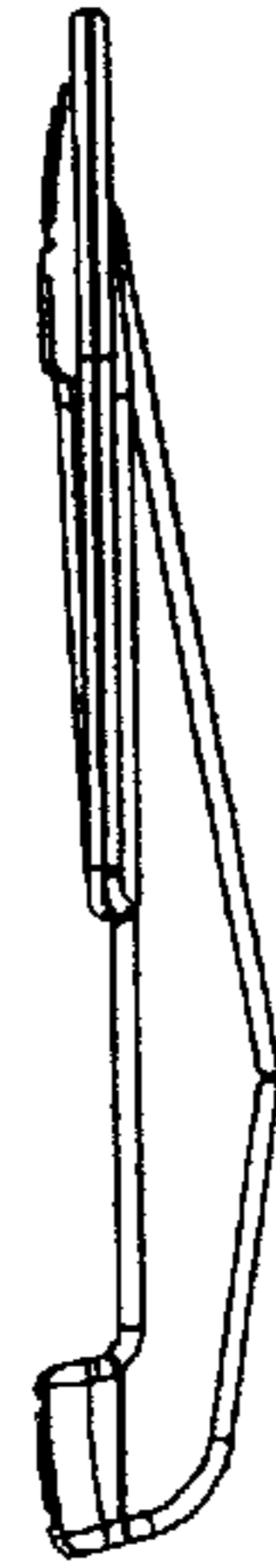
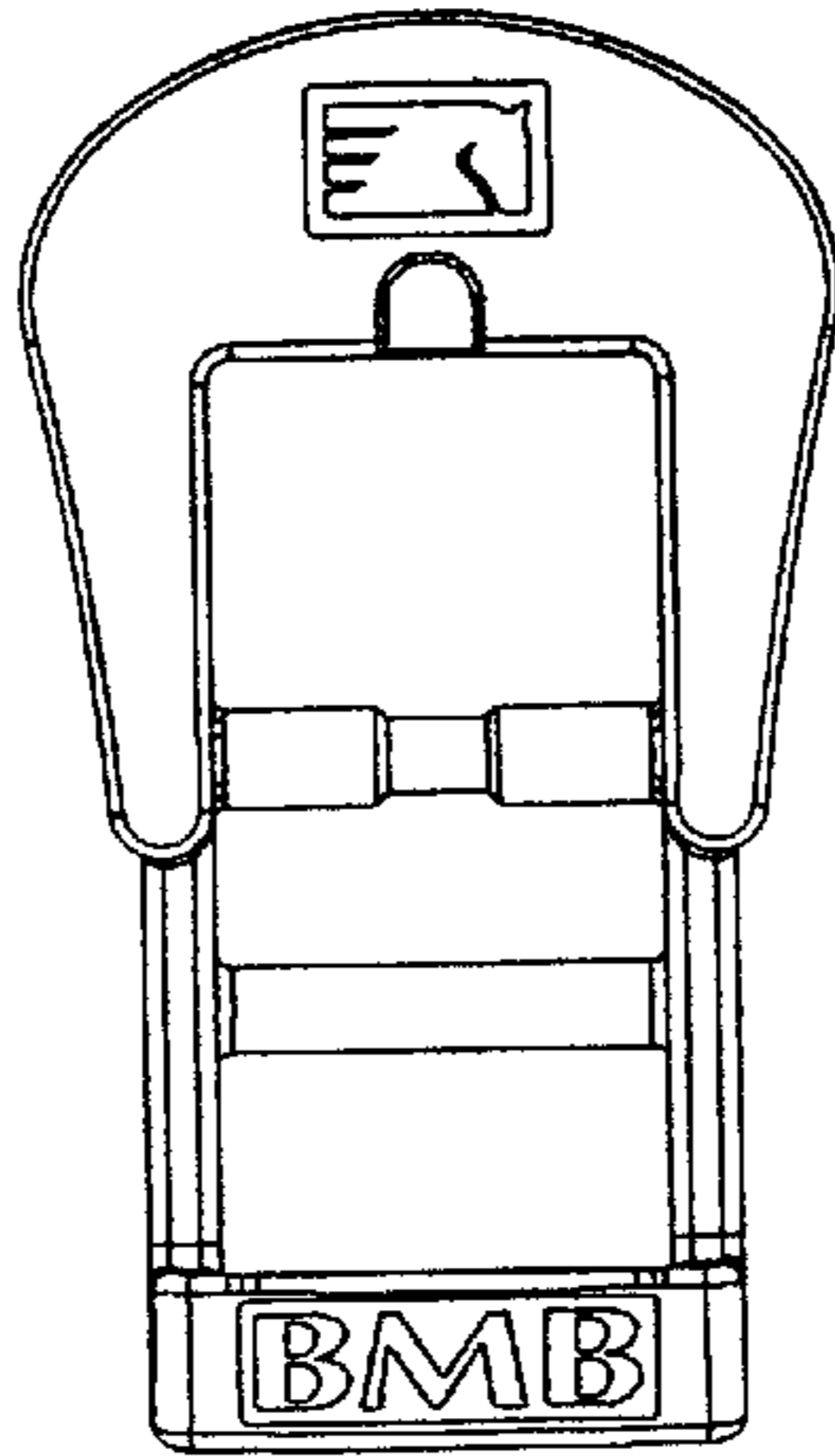


FIG. 11

FIG. 13



FIG. 10

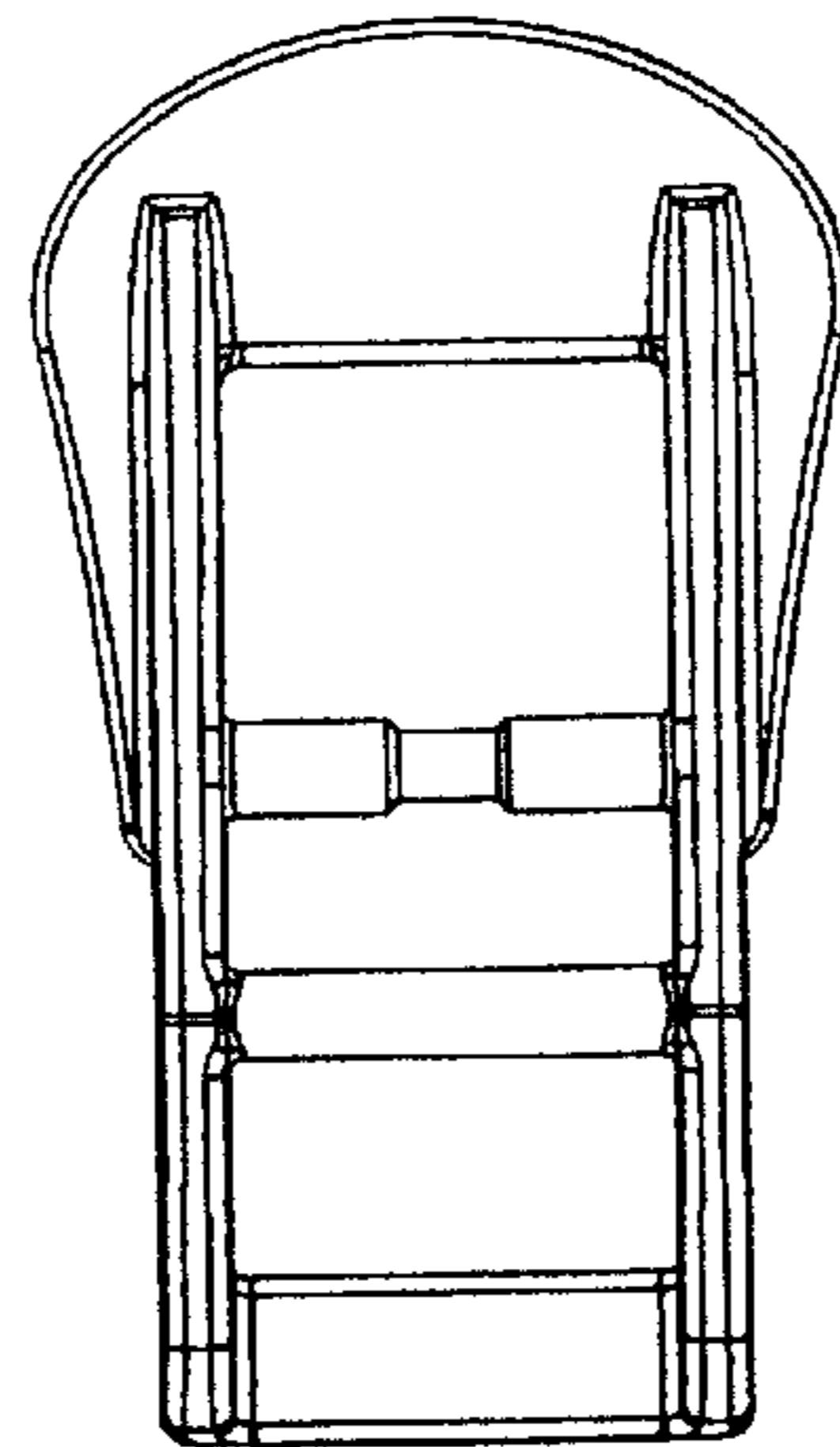


FIG. 14