



US00D471325S

(12) **United States Design Patent**
Mihlbauer

(10) **Patent No.:** **US D471,325 S**

(45) **Date of Patent:** **** Mar. 4, 2003**

(54) **PROFILE OF A BOWED AQUARIUM BASE**

D327,142 S * 6/1992 Pilgrim, Jr. D30/106
D397,521 S * 8/1998 Gomi D30/101

(75) Inventor: **Brad L. Mihlbauer**, Muskego, WI
(US)

* cited by examiner

(73) Assignee: **All-Glass Aquarium Company, Inc.**,
Franklin, WI (US)

Primary Examiner—Cathy Anne MacCormac
(74) *Attorney, Agent, or Firm*—Andrus, Scales, Starke &
Sawall, LLP

(**) Term: **14 Years**

(57) **CLAIM**

(21) Appl. No.: **29/141,034**

The ornamental design for profile of a bowed aquarium base,
as shown and described.

(22) Filed: **Apr. 27, 2001**

DESCRIPTION

(51) **LOC (7) Cl.** **30-02**

(52) **U.S. Cl.** **D30/106**

(58) **Field of Search** D30/101-107;
119/245-253, 255-258, 265-266, 269;
47/69, 59; 40/406, 408; D11/145

FIG. 1 is an isometric view of a profile of an aquarium base
incorporating showing my new design;
FIG. 2 is a front elevation view thereof;
FIG. 3 is a right side elevation view thereof, the left side
elevation view being a mirror image;
FIG. 4 is a rear elevation view thereof; and,
FIG. 5 is a top plan view thereof.

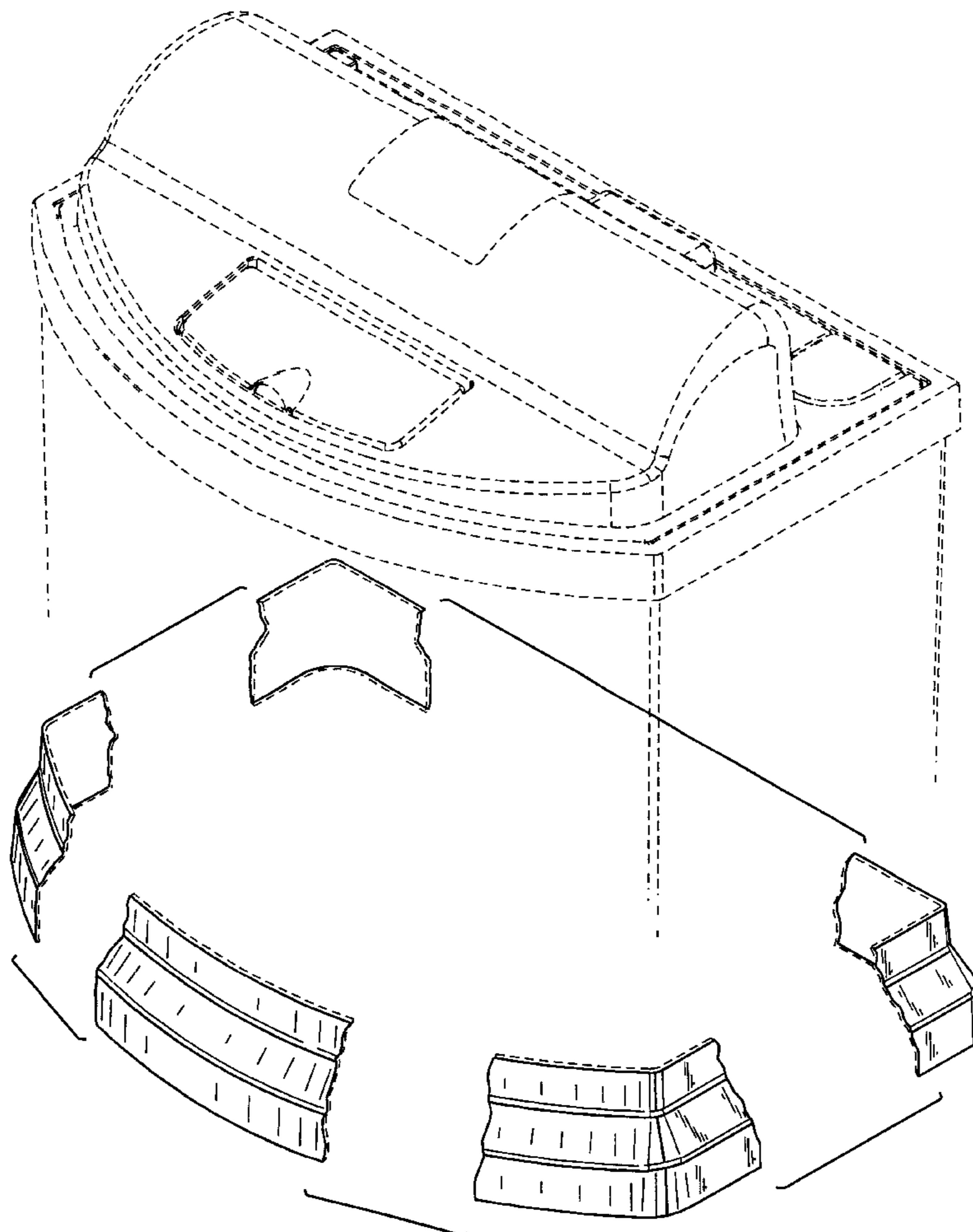
(56) **References Cited**

U.S. PATENT DOCUMENTS

All views indicate indeterminate length.
The broken lines are for illustration only and form no part of
the claimed design.

D246,262 S * 11/1977 Zupo D30/101
D285,841 S * 9/1986 Tigert D30/101
D285,845 S * 9/1986 Tigert D30/101

1 Claim, 4 Drawing Sheets



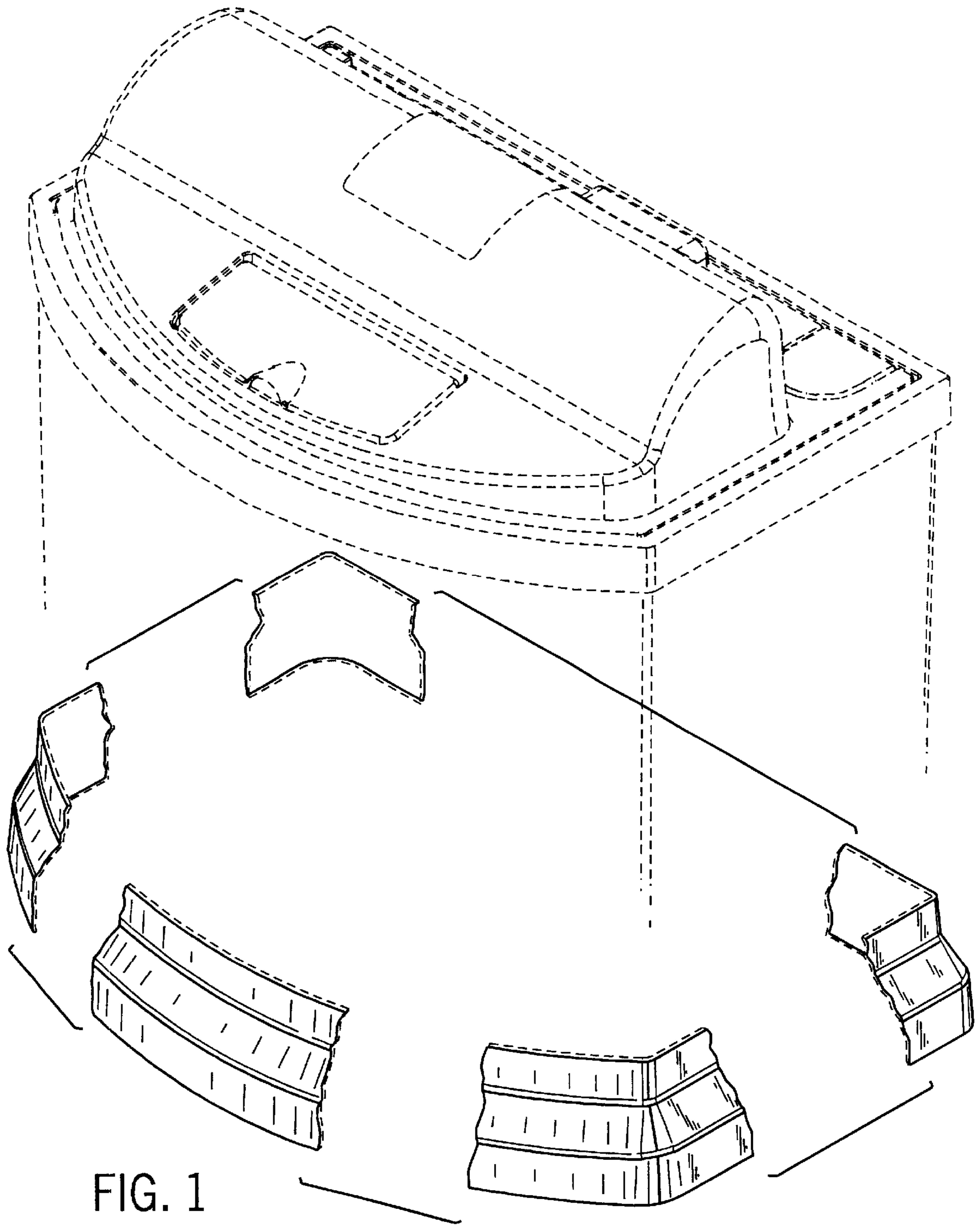


FIG. 1

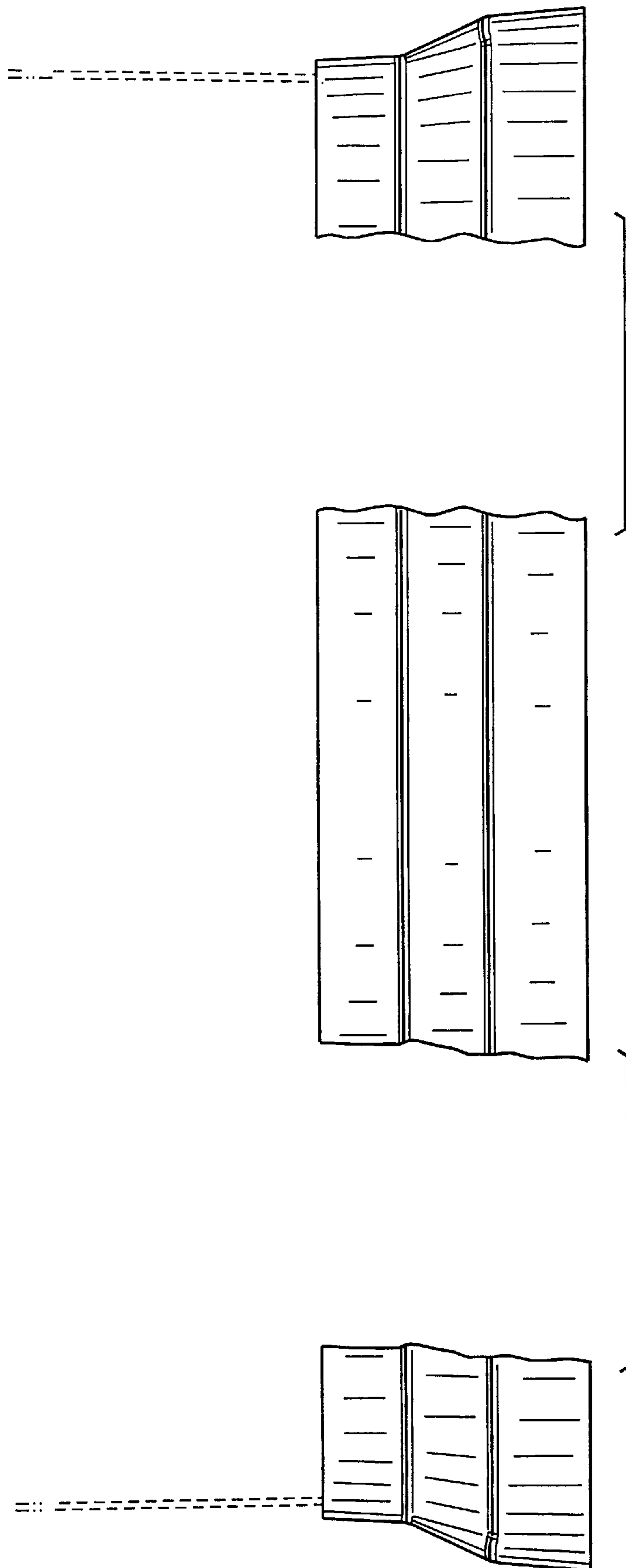


FIG. 2

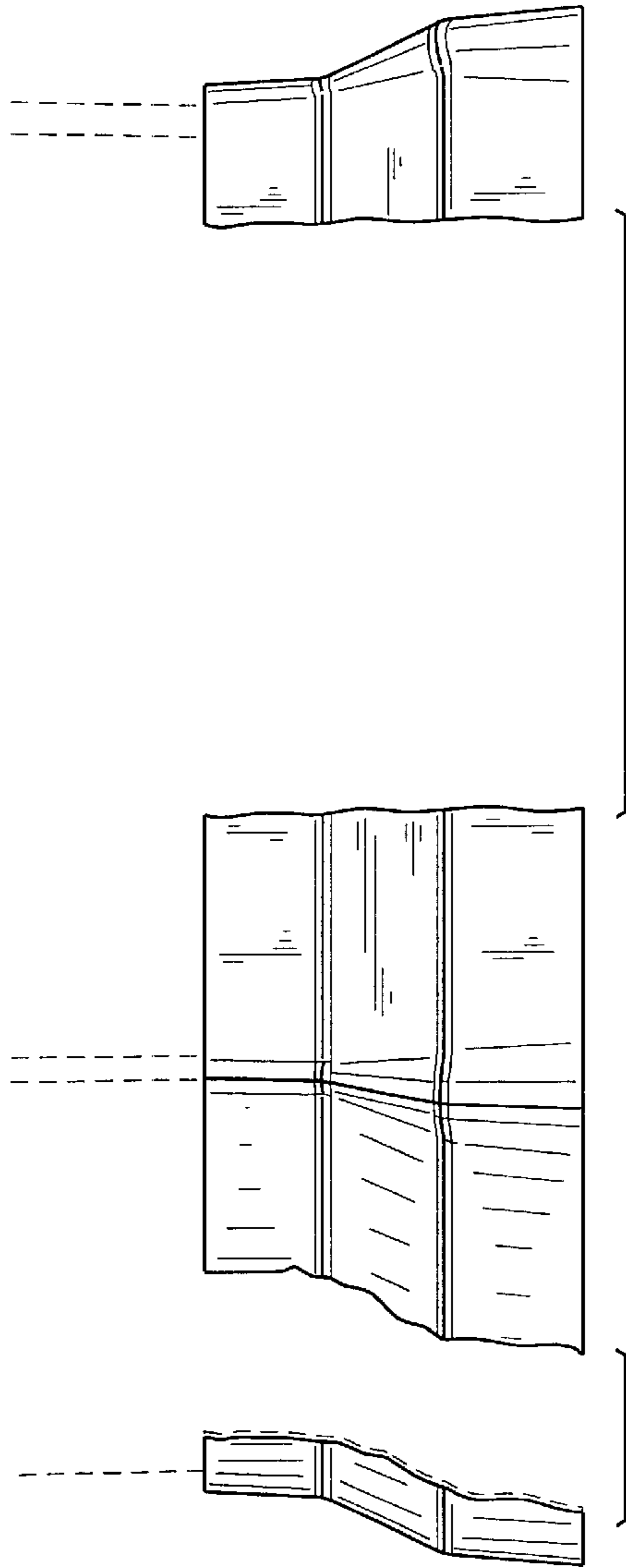


FIG. 3



FIG. 4

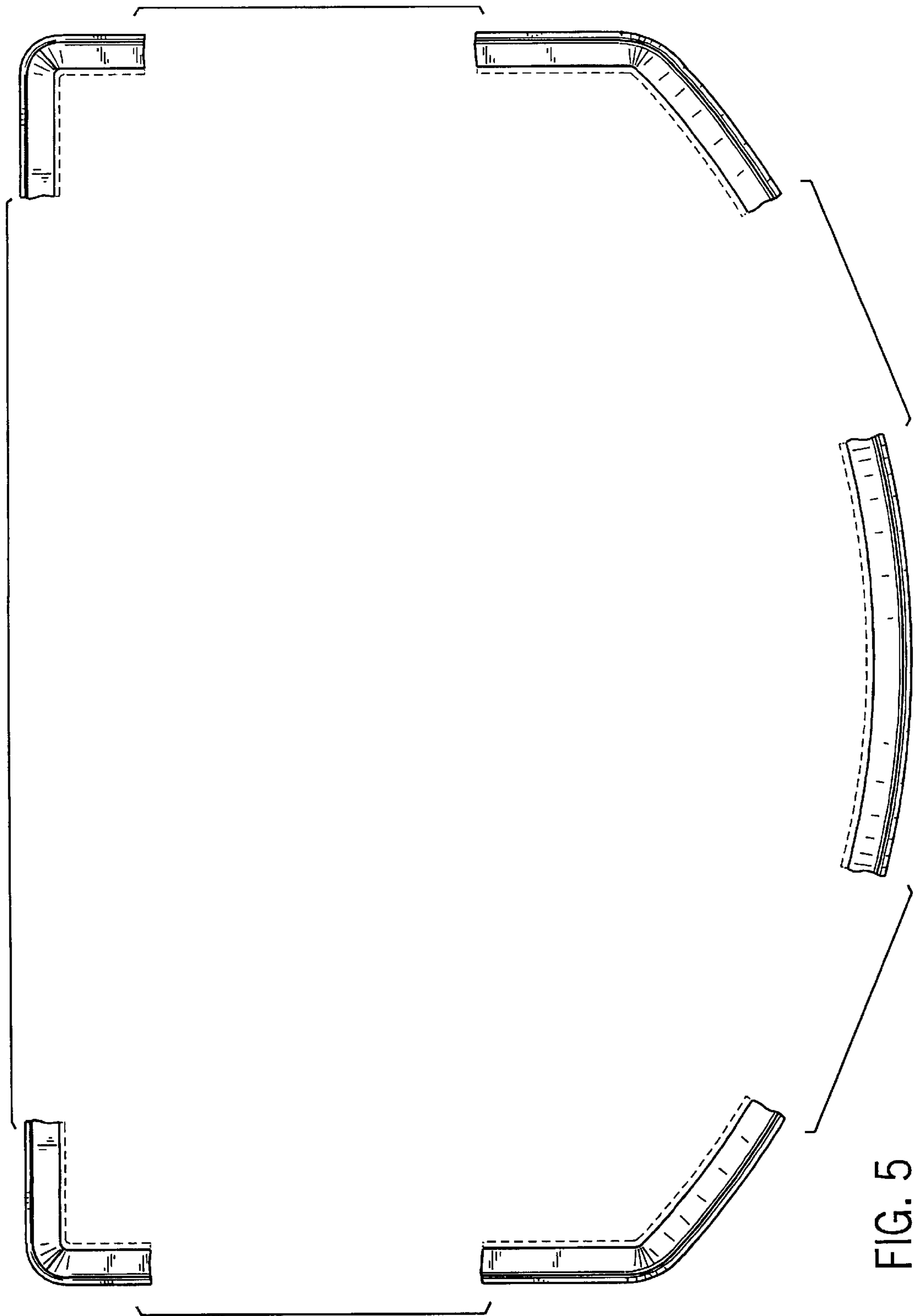


FIG. 5