



US00D471322S

(12) **United States Design Patent**
Lai

(10) **Patent No.:** **US D471,322 S**

(45) **Date of Patent:** **** Mar. 4, 2003**

(54) **COSMETIC CASING**

(75) **Inventor:** **Chin Chun Lai, Chung Ho (TW)**

(73) **Assignee:** **Chao Ling Chemical Industry Co., Ltd., Taipei Hsien (TW)**

(**) **Term:** **14 Years**

(21) **Appl. No.:** **29/156,164**

(22) **Filed:** **Feb. 26, 2002**

(51) **LOC (7) Cl.** **28-02**

(52) **U.S. Cl.** **D28/83**

(58) **Field of Search** D28/76-83; D9/341, D9/420, 423; D19/35, 36; D3/205, 206, 273-275, 901; 132/286-318; 206/1.7, 1.8, 81, 235, 581, 823; 220/DIG. 26

(56) **References Cited**

U.S. PATENT DOCUMENTS

D94,875 S	*	3/1935	Christy	D28/85
D153,339 S	*	4/1949	Deckinger	D19/35
D212,068 S	*	8/1968	Ash	D28/76
4,589,430 A	*	5/1986	Sussman	132/218
D352,571 S	*	11/1994	Wacker	D28/82

D365,892 S	*	1/1996	Markham	D28/83
D409,801 S	*	5/1999	Kim	D28/83
D436,421 S	*	1/2001	Cooper	D28/77
D436,693 S	*	1/2001	Thorpe et al.	D28/76
D441,192 S	*	5/2001	Park	D3/294
D443,393 S	*	6/2001	Goswell	D28/83
D452,938 S	*	1/2002	Lai	D28/77

* cited by examiner

Primary Examiner—Ted Shooman
Assistant Examiner—C. Tuttle

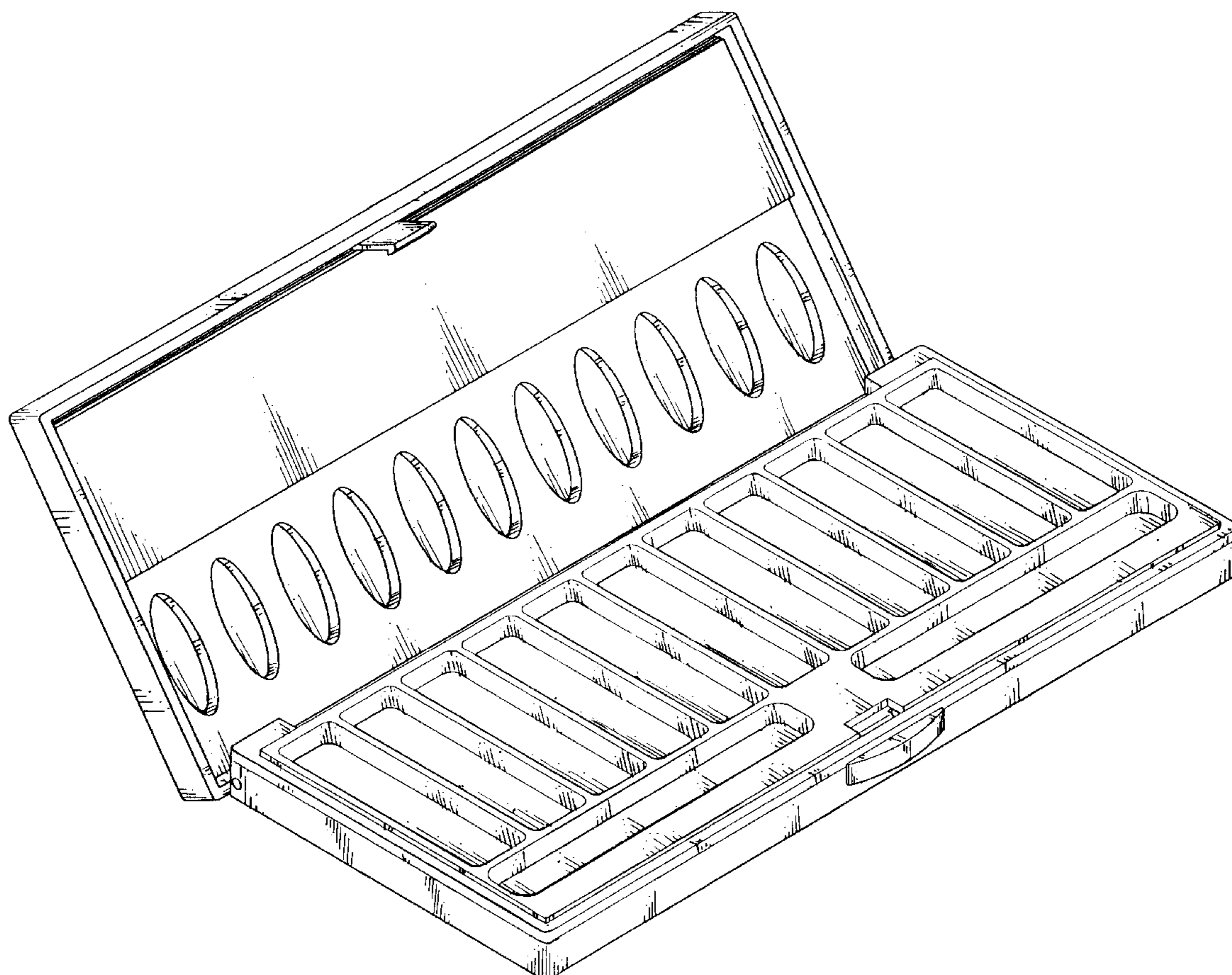
(57) **CLAIM**

The ornamental design for a cosmetic casing, as shown and described.

DESCRIPTION

FIG. 1 is a perspective view of a cosmetic casing showing my new design;
FIG. 2 is a front elevational view thereof;
FIG. 3 is a rear elevational view thereof;
FIG. 4 is a top plan view thereof;
FIG. 5 is a bottom plan view thereof;
FIG. 6 is a left side elevational view thereof; and,
FIG. 7 is a right side elevational view thereof.

1 Claim, 5 Drawing Sheets



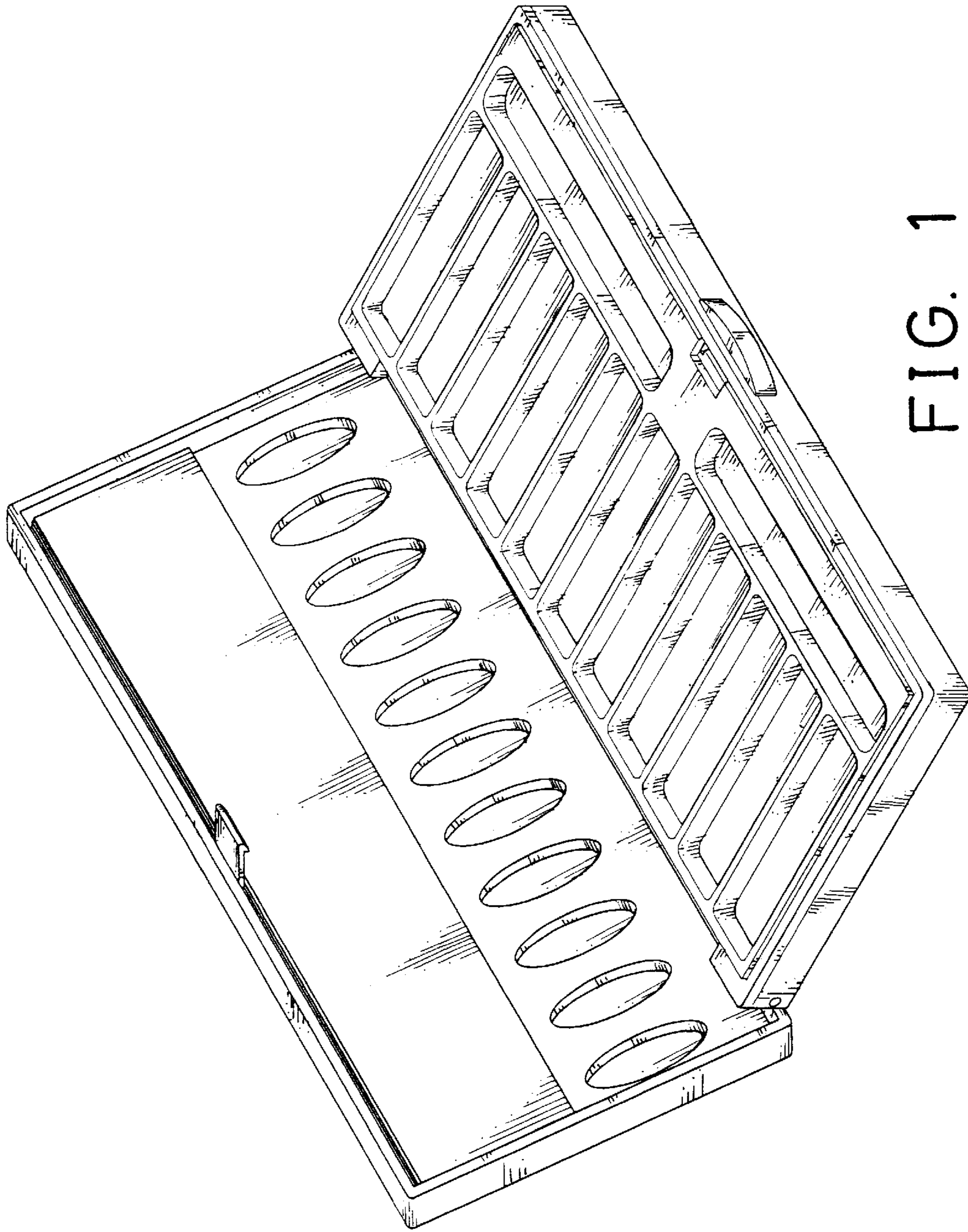


FIG. 1

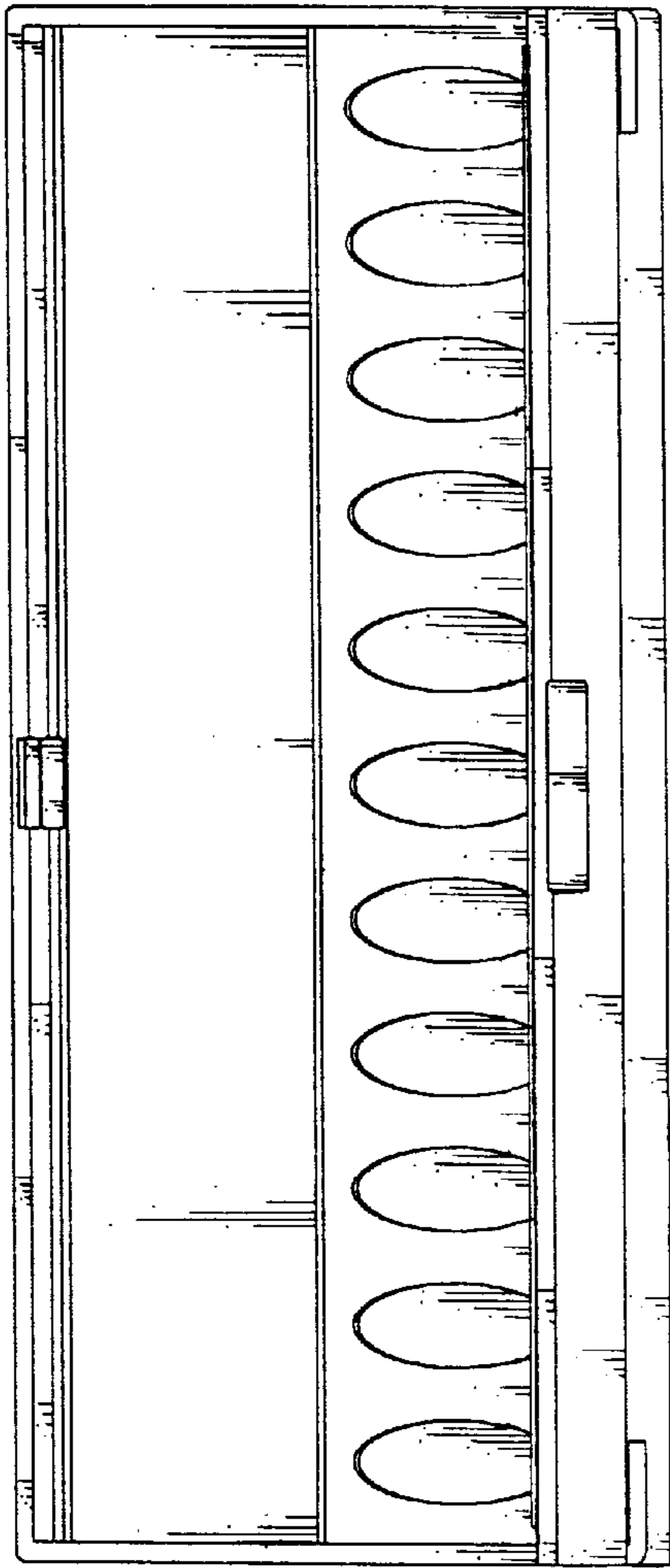


FIG. 2

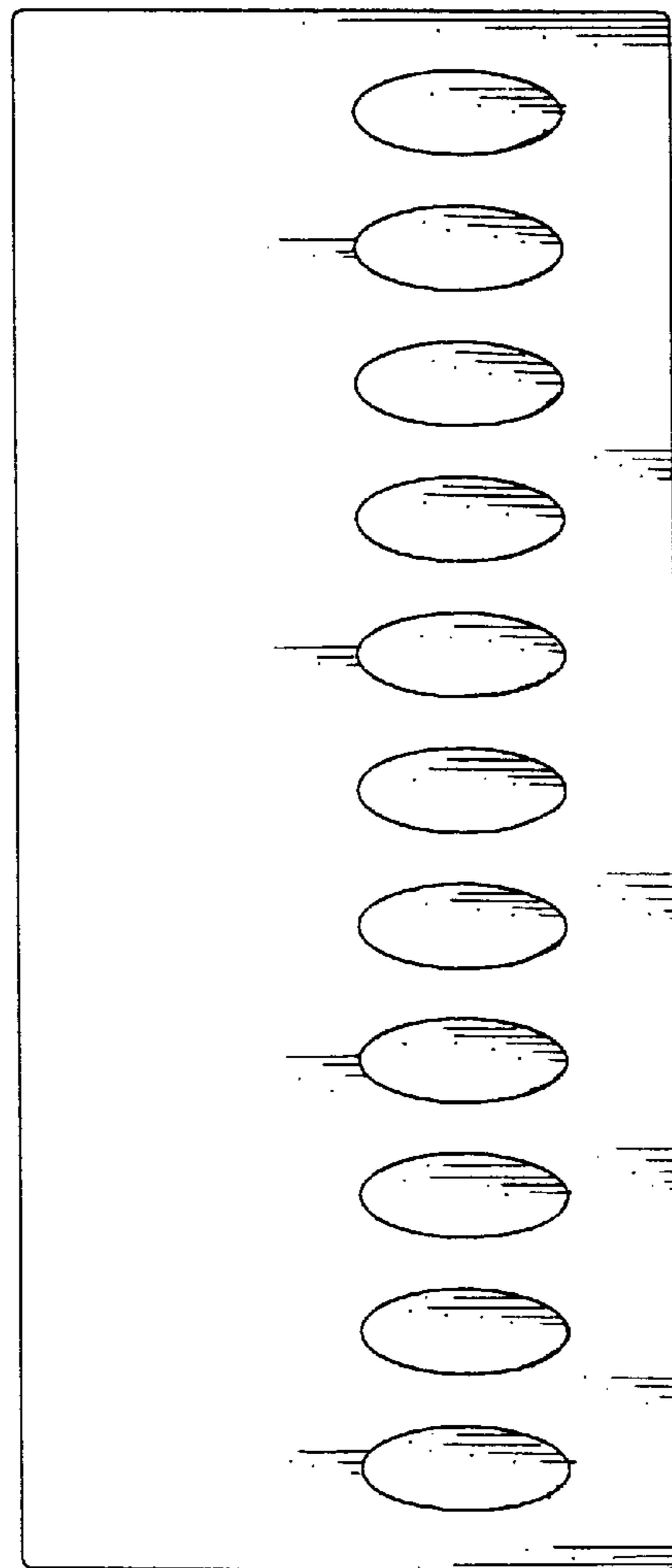


FIG. 3

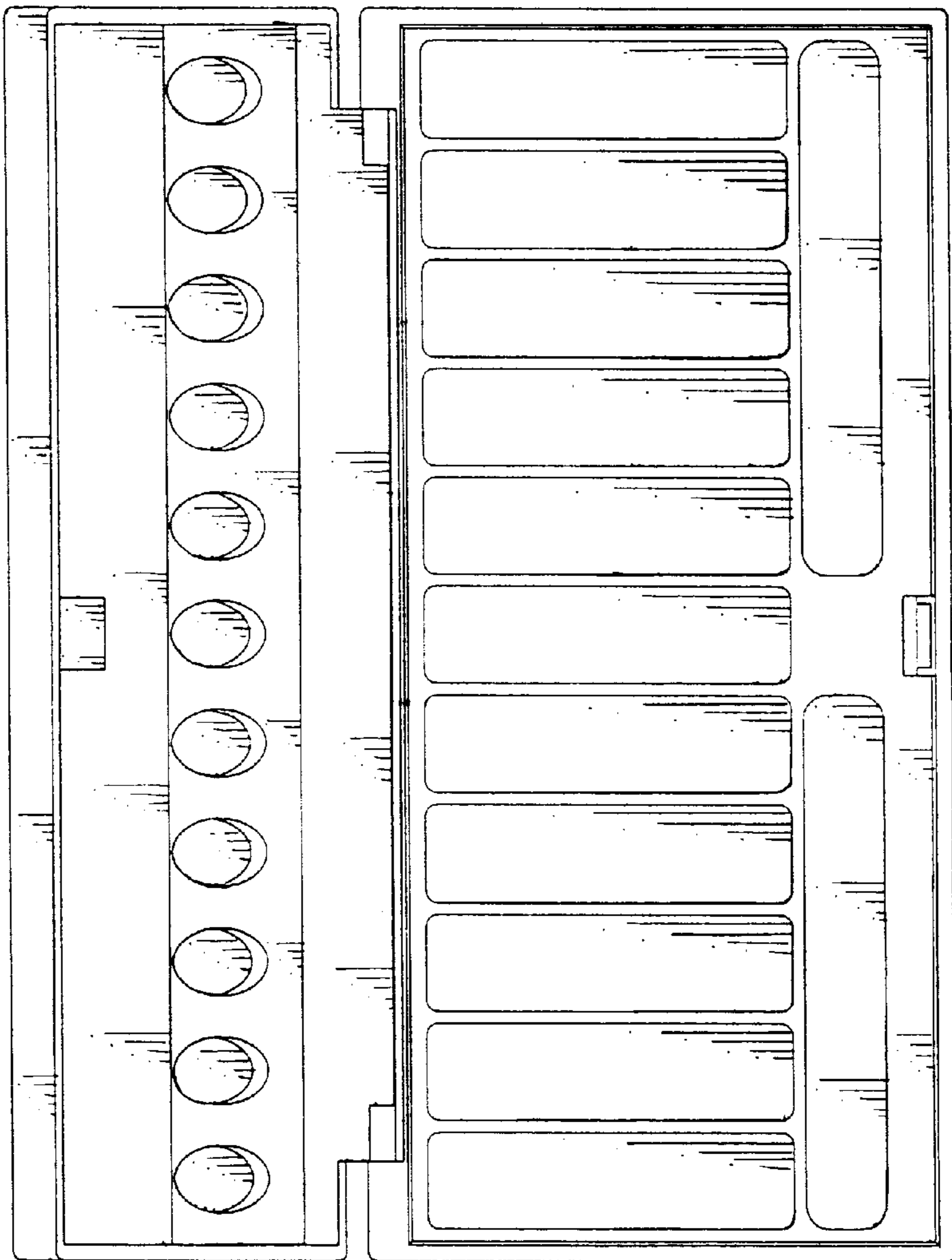


FIG. 4

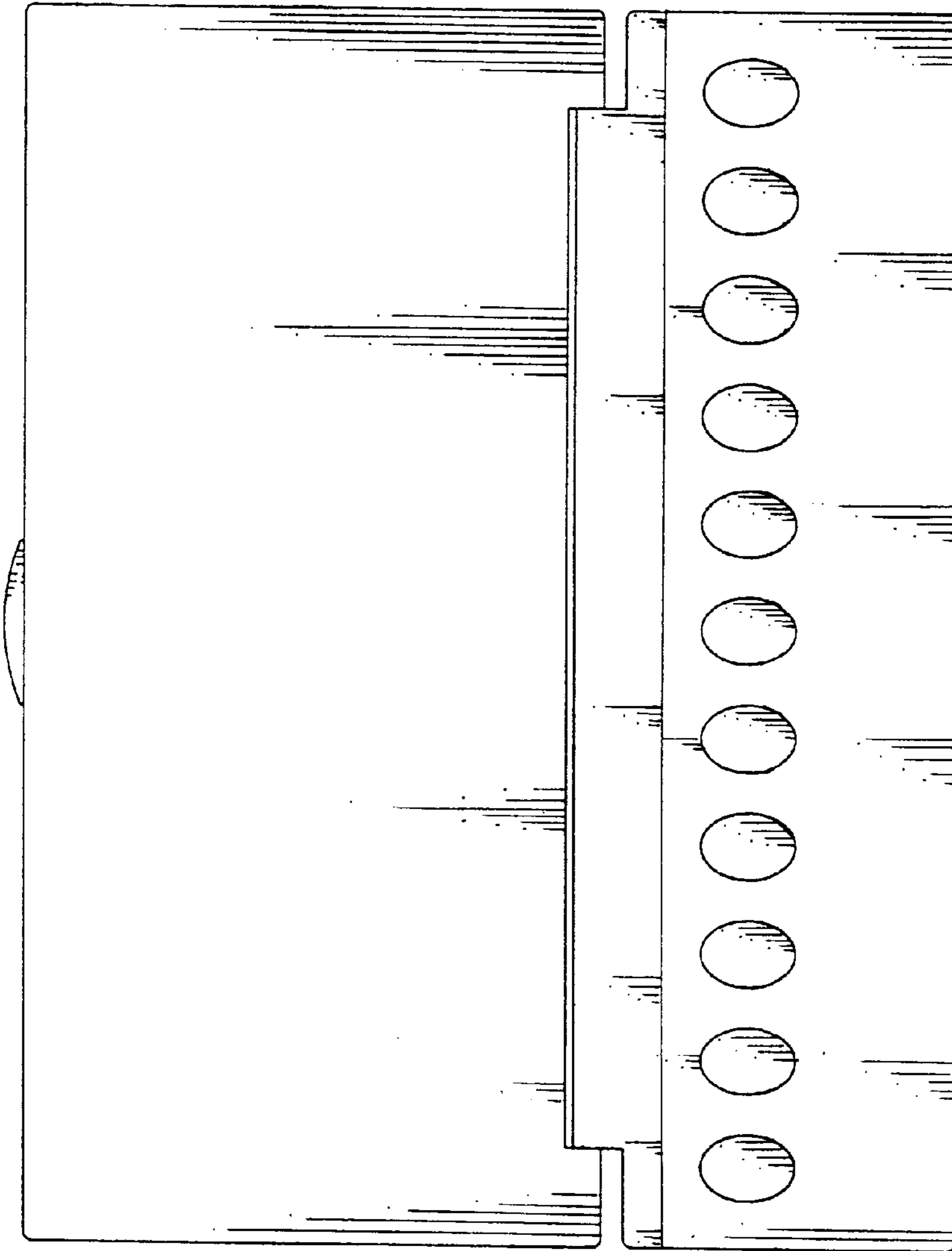


FIG. 5

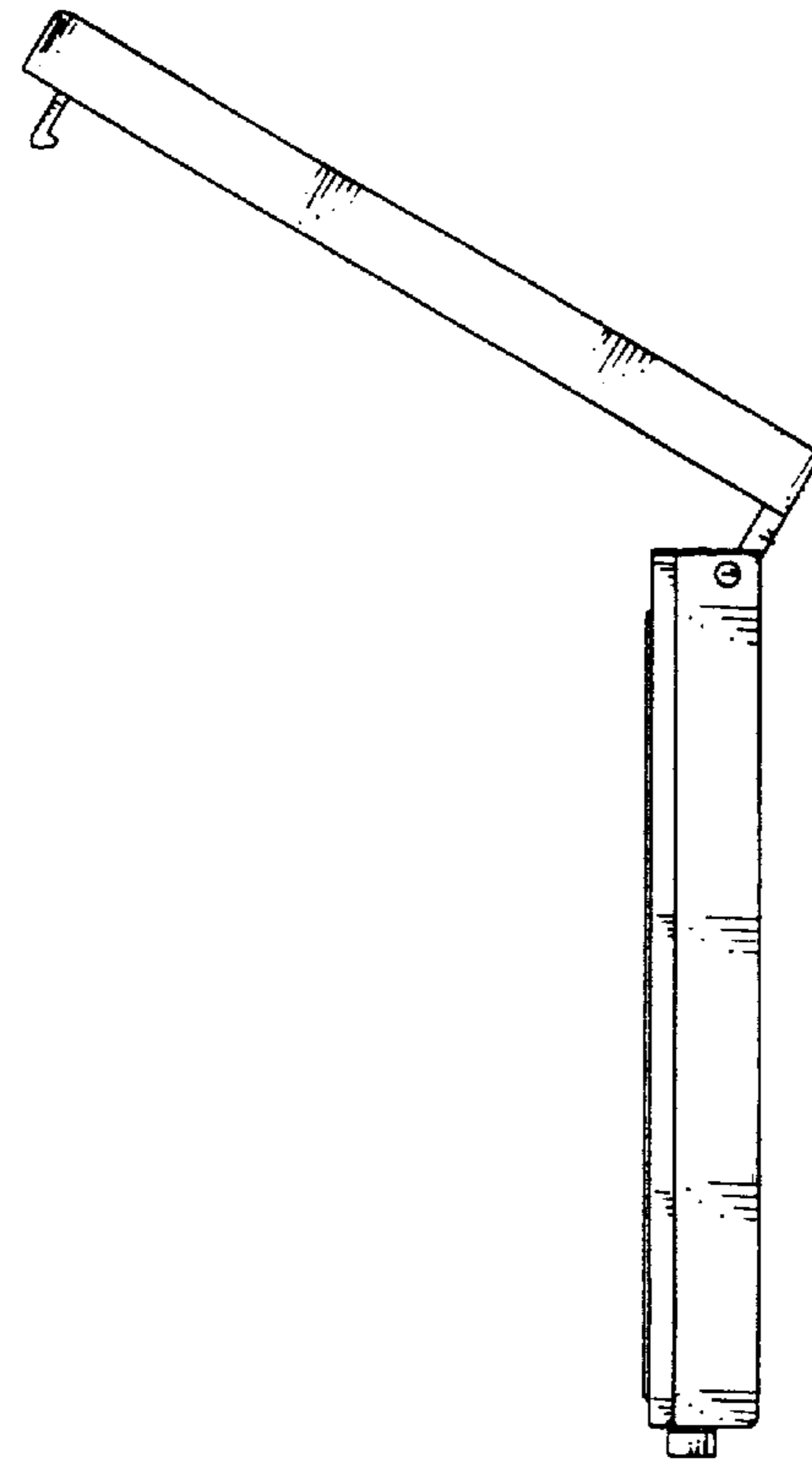


FIG. 7

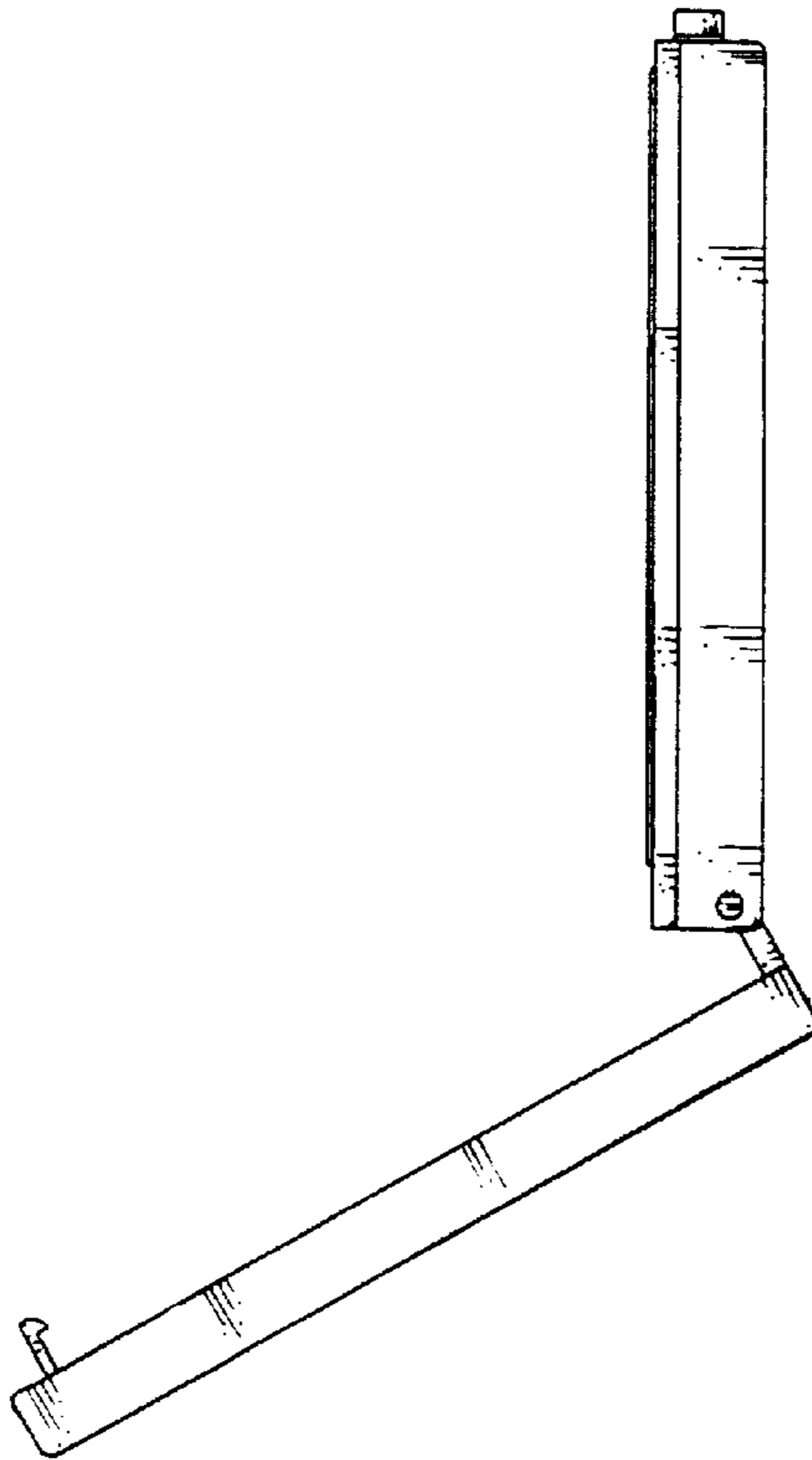


FIG. 6