



US00D471321S

(12) **United States Design Patent**
Lai

(10) **Patent No.:** **US D471,321 S**

(45) **Date of Patent:** **** Mar. 4, 2003**

(54) **COSMETIC CASING**

(75) Inventor: **Chin Chun Lai**, Hsin Chuang (TW)

(73) Assignee: **Chao Ling Chemical Industry Co., Ltd.**, Taipei Hsien (TW)

(**) Term: **14 Years**

(21) Appl. No.: **29/164,287**

(22) Filed: **Jul. 19, 2002**

(51) **LOC (7) Cl.** **28-02**

(52) **U.S. Cl.** **D28/82**

(58) **Field of Search** D28/76-84; D9/341, D9/420, 422, 423; D3/273-275, 294-297, 901, 903; 132/286-318; 206/235, 581, 823; 220/4.26, 4.27, 503, 520

(56) **References Cited**

U.S. PATENT DOCUMENTS

- 1,385,484 A * 7/1921 Case 220/4.27
- 2,077,219 A * 4/1937 Conner 220/4.27 X
- D209,438 S * 11/1967 Rothman D3/296
- D210,057 S * 1/1968 Pfrommer D28/76
- 3,392,868 A * 7/1968 Pfrommer 220/520
- 3,441,033 A * 4/1969 Flax 132/295
- 4,807,773 A * 2/1989 Tsai 220/4.27

- D370,307 S * 5/1996 Chen D28/79
- 6,041,935 A * 3/2000 Yang 206/581
- D442,338 S * 5/2001 Roman D28/82
- D443,137 S * 6/2001 Lai D3/295

OTHER PUBLICATIONS

Hong Kong Enterprise Jun. 1994, p. 659: item No. 9324B.*

* cited by examiner

Primary Examiner—Ted Shooman

Assistant Examiner—C. Tuttle

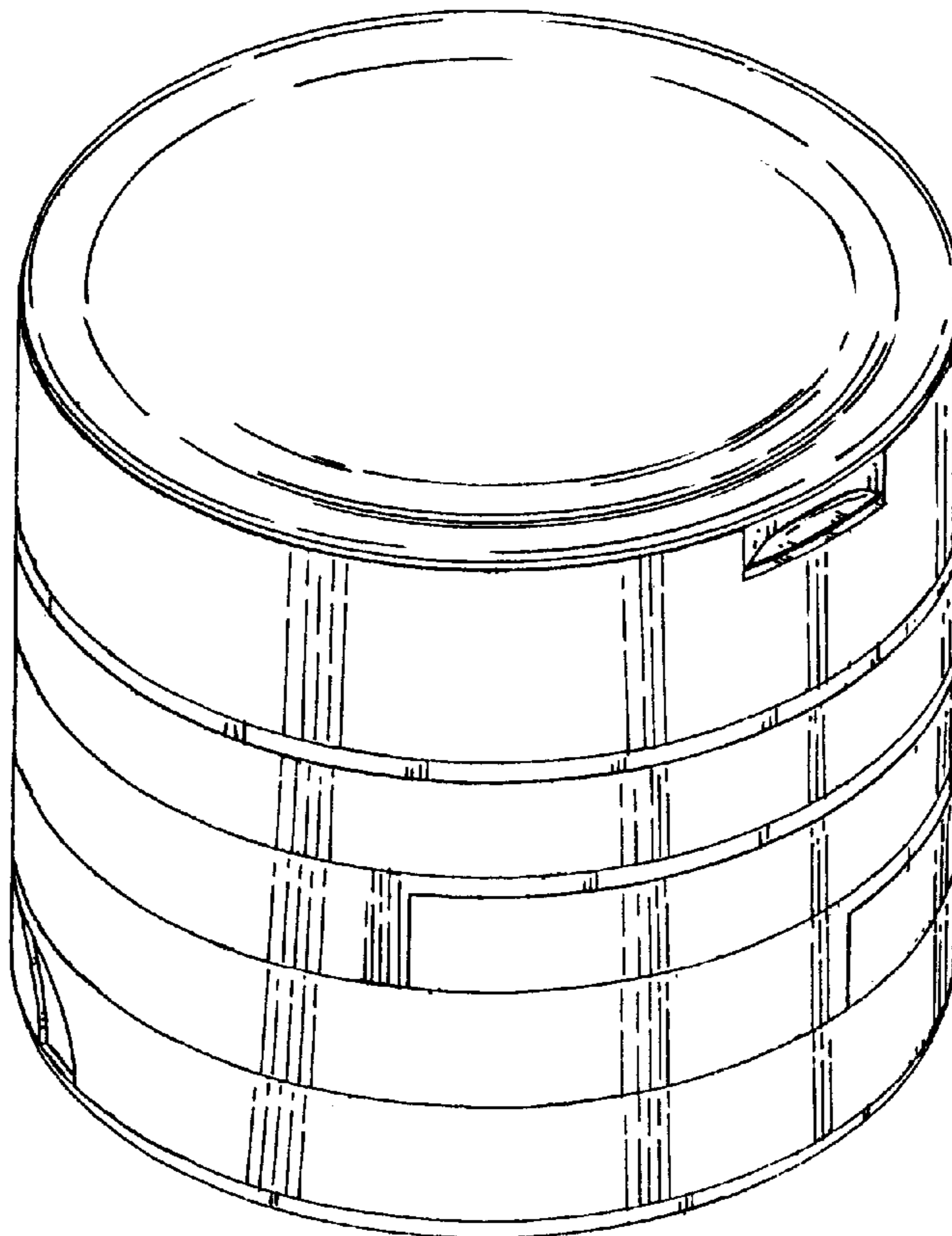
(57) **CLAIM**

The ornamental design for a cosmetic casing, as shown and described.

DESCRIPTION

FIG. 1 is a perspective view of a cosmetic casing showing my new design;
 FIG. 2 is a front elevational view thereof;
 FIG. 3 is a rear elevational view thereof;
 FIG. 4 is a top plan view thereof;
 FIG. 5 is a bottom plan view thereof;
 FIG. 6 is a left side elevational view thereof; and,
 FIG. 7 is a right side elevational view thereof.

1 Claim, 4 Drawing Sheets



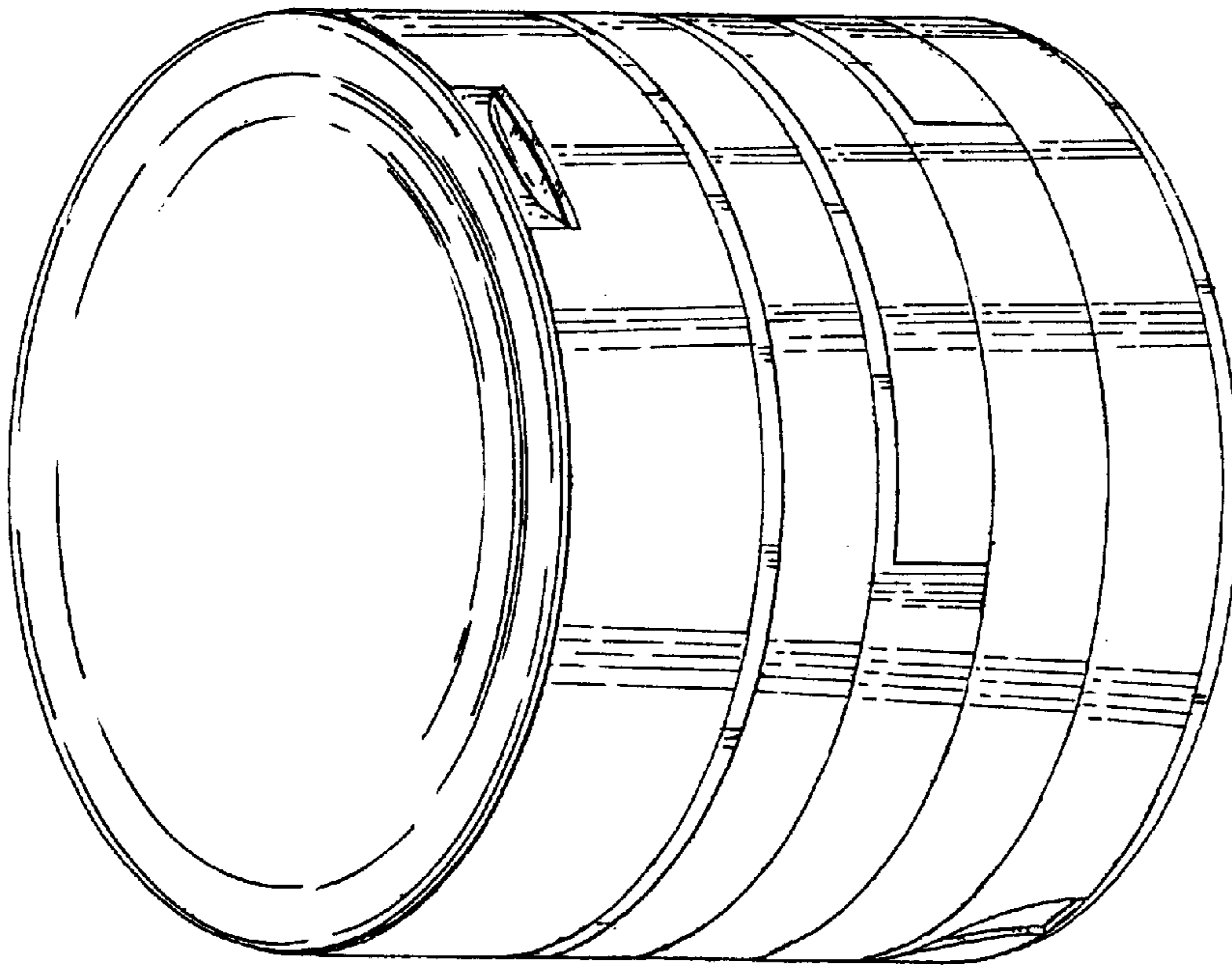


FIG. 1

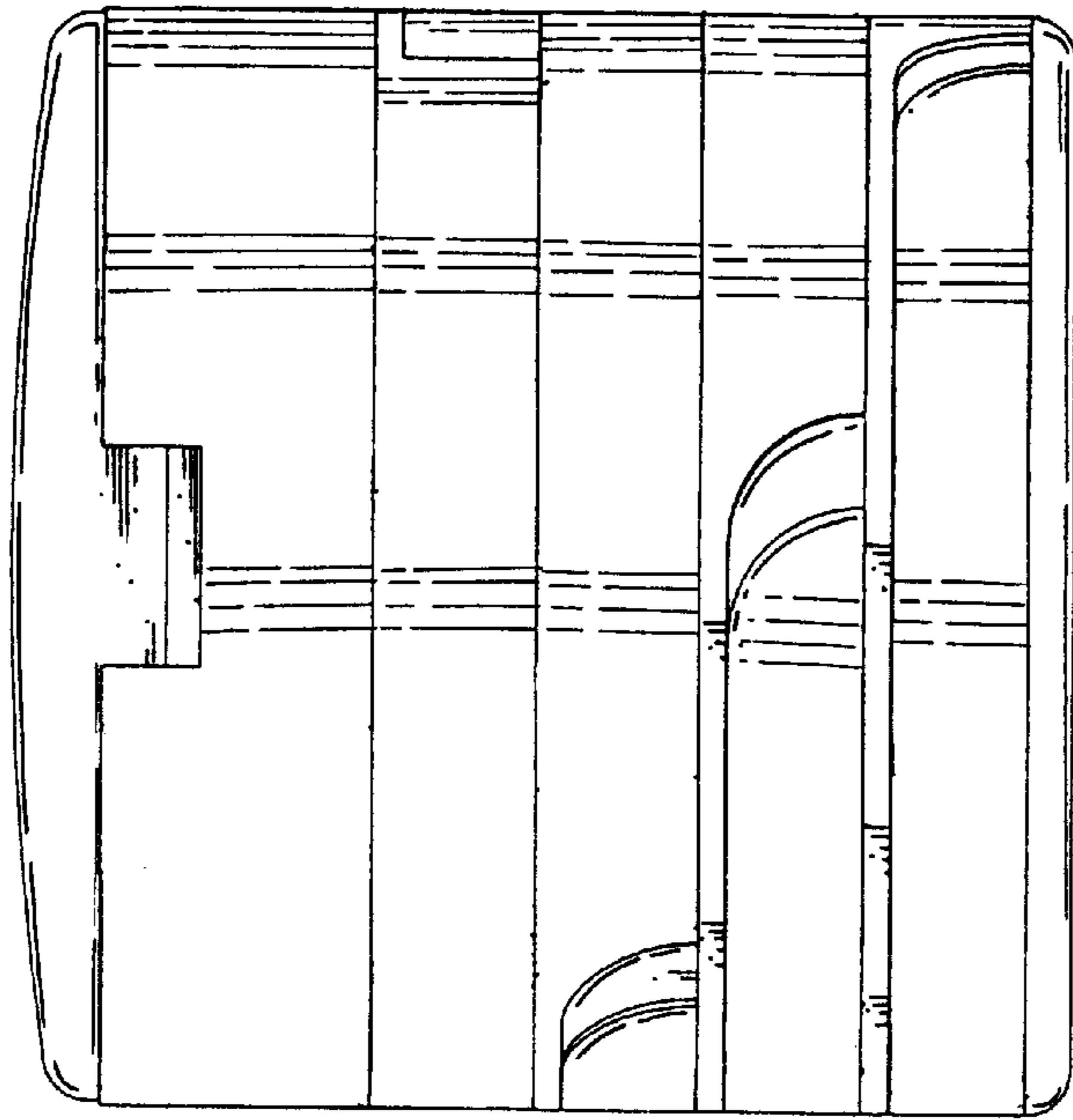


FIG. 2

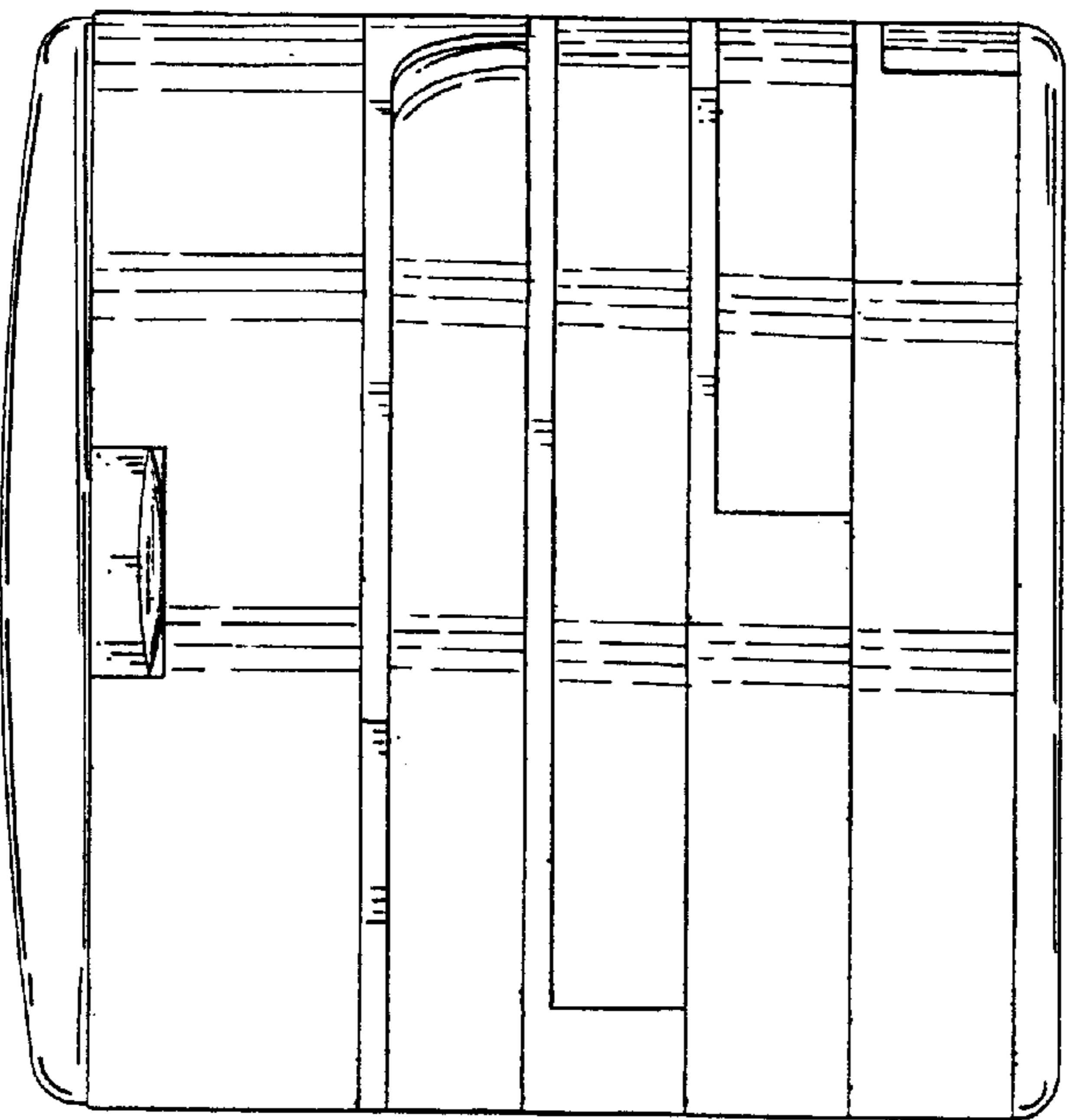


FIG. 3

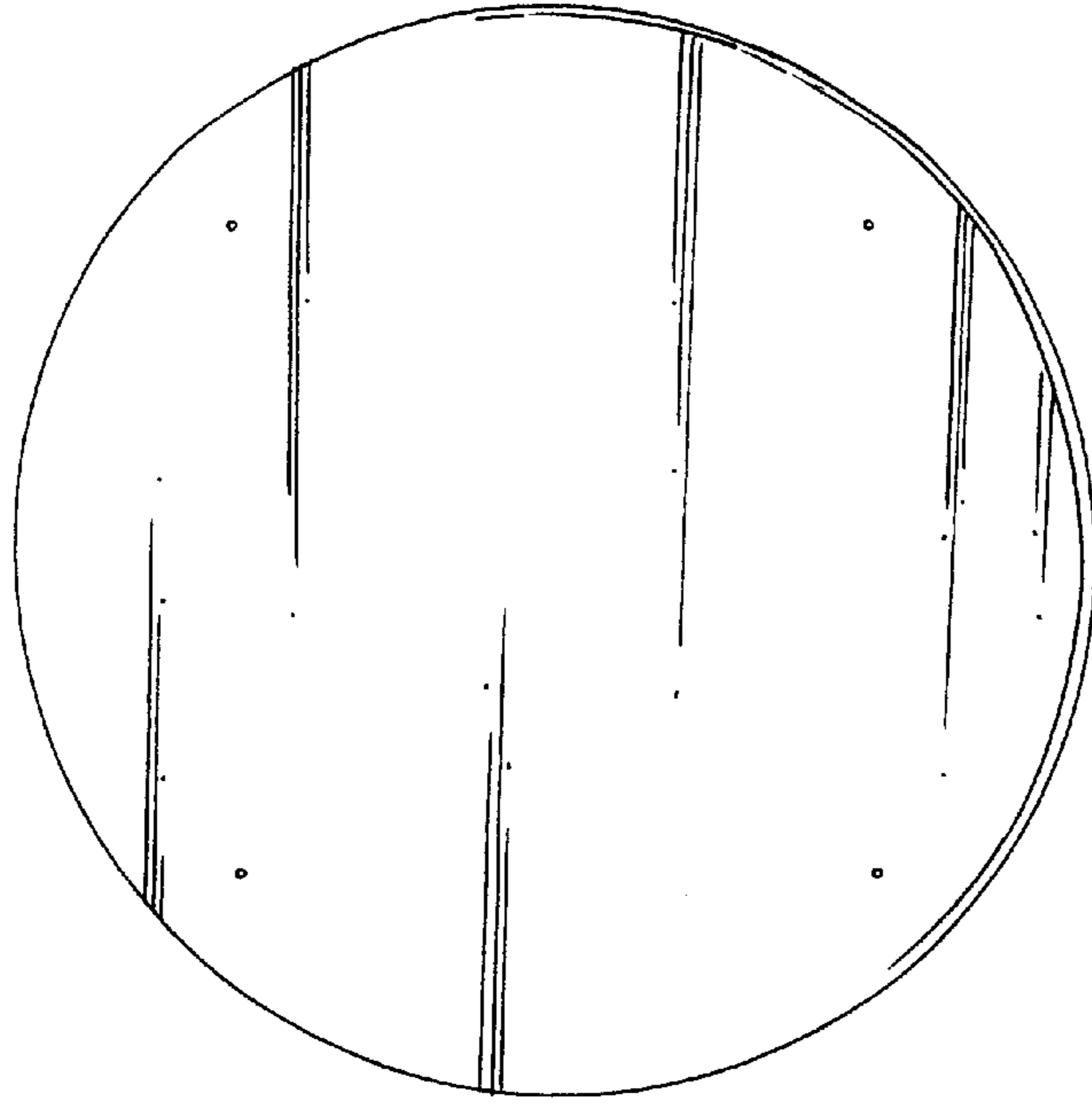


FIG. 5

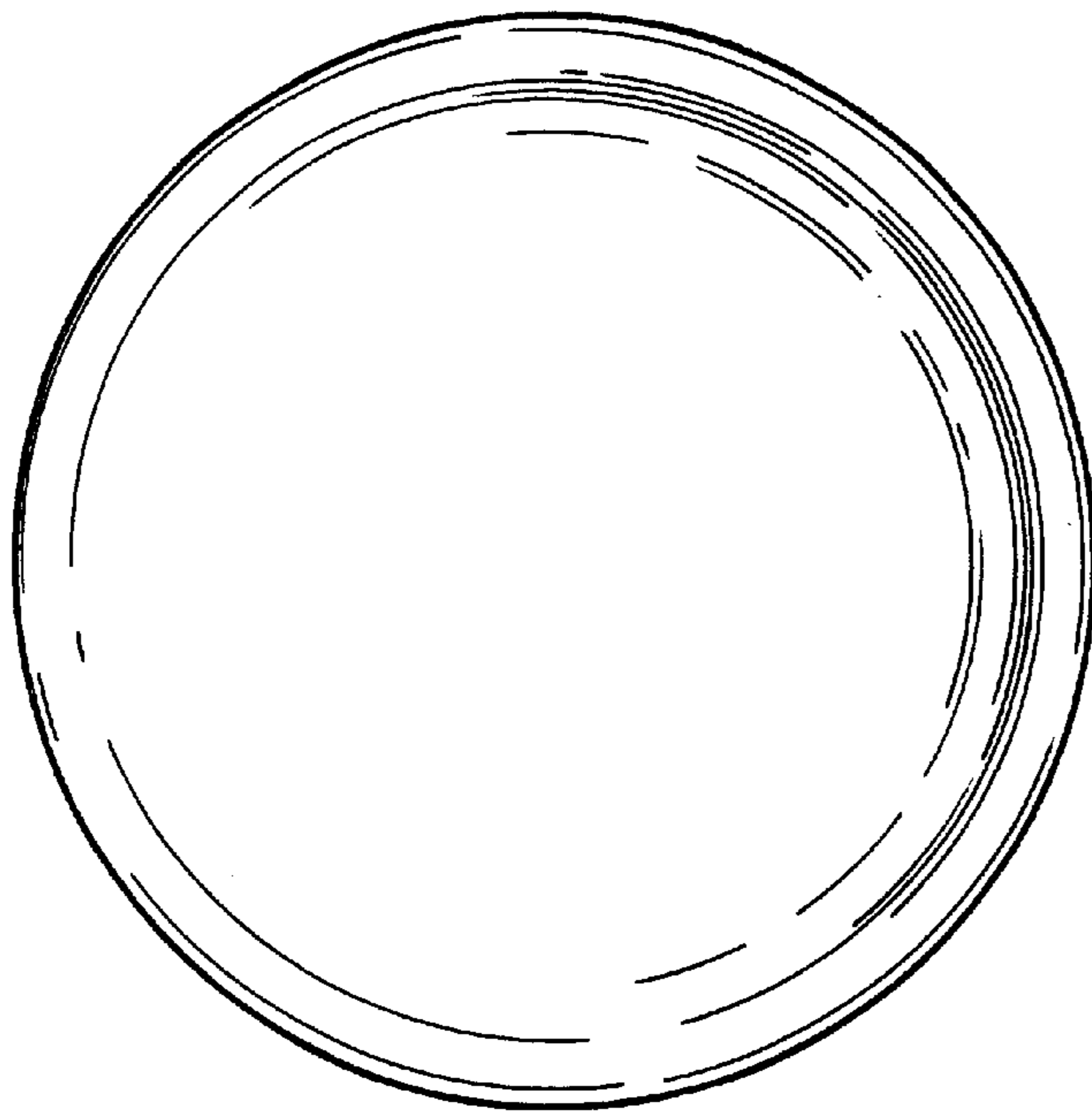


FIG. 4

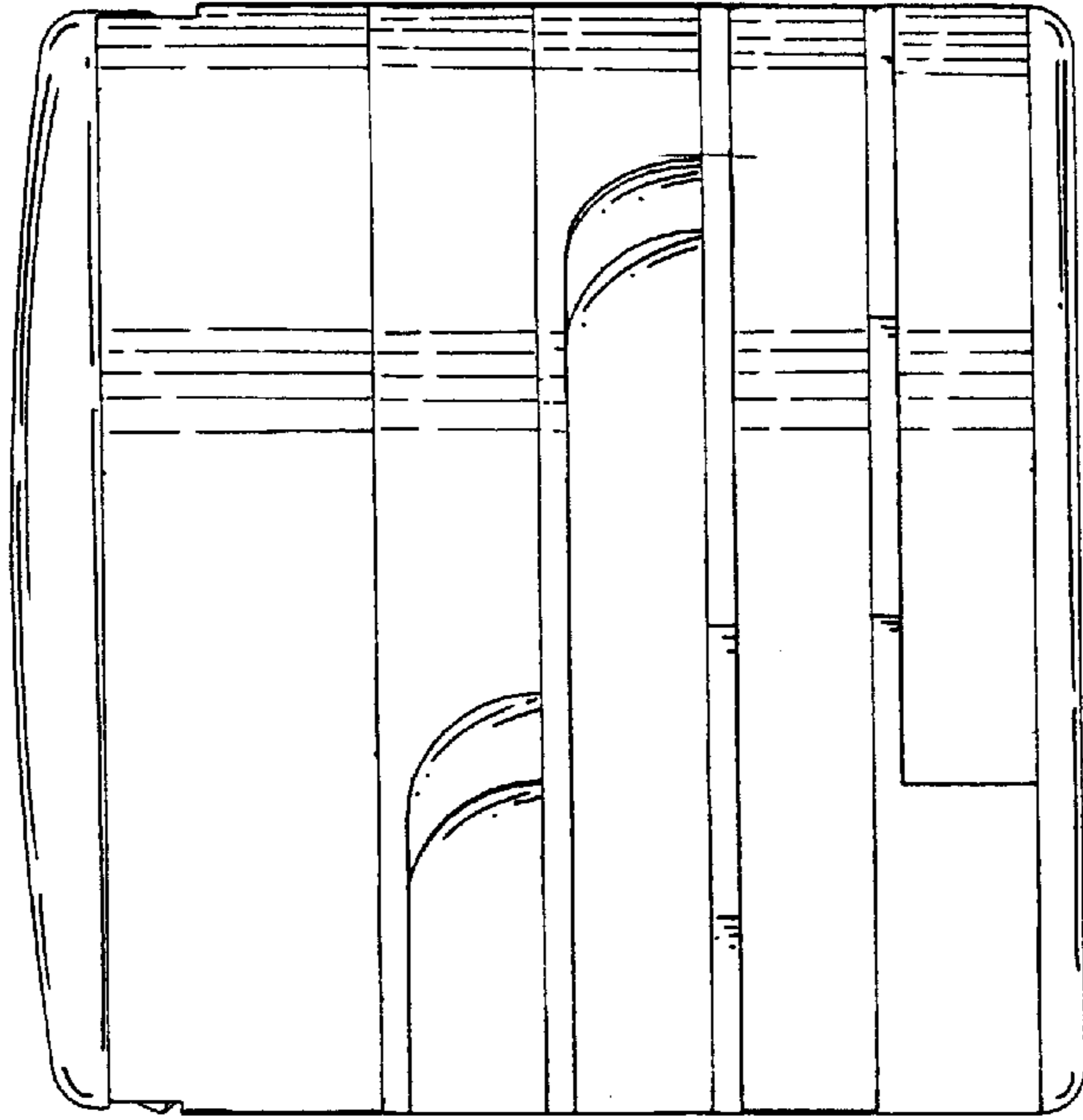


FIG. 7

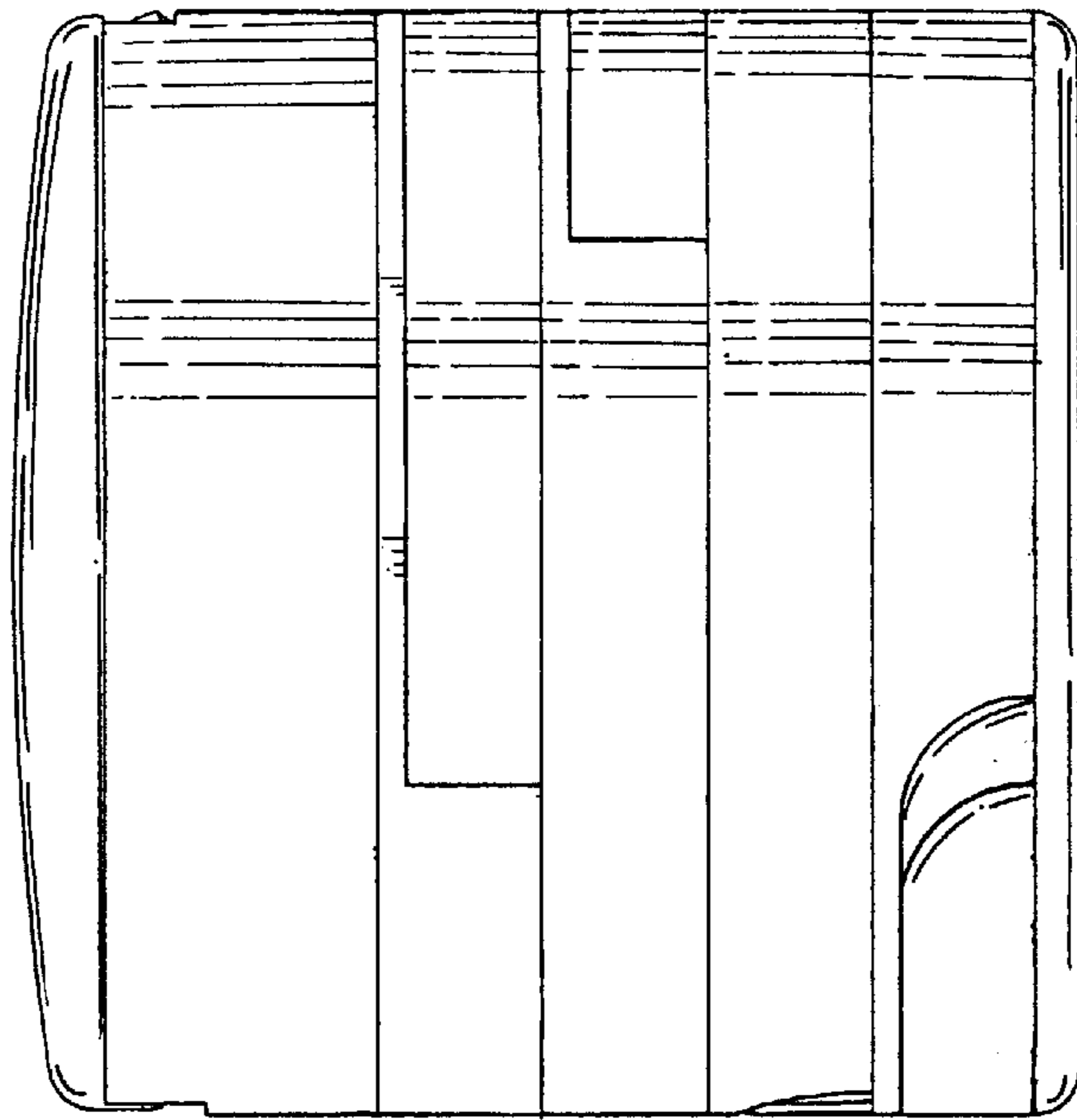


FIG. 6