



US00D471316S

(12) **United States Design Patent**
Budde

(10) **Patent No.:** **US D471,316 S**

(45) **Date of Patent:** **** Mar. 4, 2003**

(54) **LIGHTER CLIP**

(76) Inventor: **John R. Budde**, 46619 Schoenherr,
Shelby Township Macomb County, MI
(US) 48315

(**) Term: **14 Years**

(21) Appl. No.: **29/153,310**

(22) Filed: **Jan. 4, 2002**

(51) **LOC (7) Cl.** **27-05**

(52) **U.S. Cl.** **D27/161; D27/172**

(58) **Field of Search** D27/183, 161,
D27/172; 206/85-89; 431/253; D3/215

(56) **References Cited**

U.S. PATENT DOCUMENTS

D261,775 S	*	11/1981	Valigura	D27/161
D303,159 S	*	8/1989	Heath	D27/172
D436,223 S	*	1/2001	Pascanu et al.	D27/161

OTHER PUBLICATIONS

Catalog Sheets of Custom & Stock Pen Clips (8 pages) of
Ideal Metal Products Co., Inc., Oradell, NJ 07649 undated.
Pen Clip of "Marks-A-Lot" Marker Pen of Avery Dennison,
Brea, CA 92821 undated.

Pocket Clip for Graph Pencil lead holder of Pentel Co., Ltd,
Tokyo, Japan, dated at least earlier than 1995.

Pocket Clip for retractable lead pen of Tombow USA,
Lawrenceville, GA 30043, dated at least earlier than 1995.
Pocket Clip for "Defense" spray of Chrysler Chemical Co.,
Inc., dated at least earlier than 1995.

Pocket Clip for generic miniature screwdriver, dated at least
earlier than 1995.

* cited by examiner

Primary Examiner—Jennifer Rivard

(74) *Attorney, Agent, or Firm*—Peter D. Keefe

(57) **CLAIM**

The ornamental design for a lighter clip, as shown and
described.

DESCRIPTION

FIG. 1 is a perspective view of the lighter clip, showing my
new design, wherein the lighter shown in phantom is not part
of my design and is shown only for reference.

FIG. 2 is a top end view of my design as shown at FIG. 1.

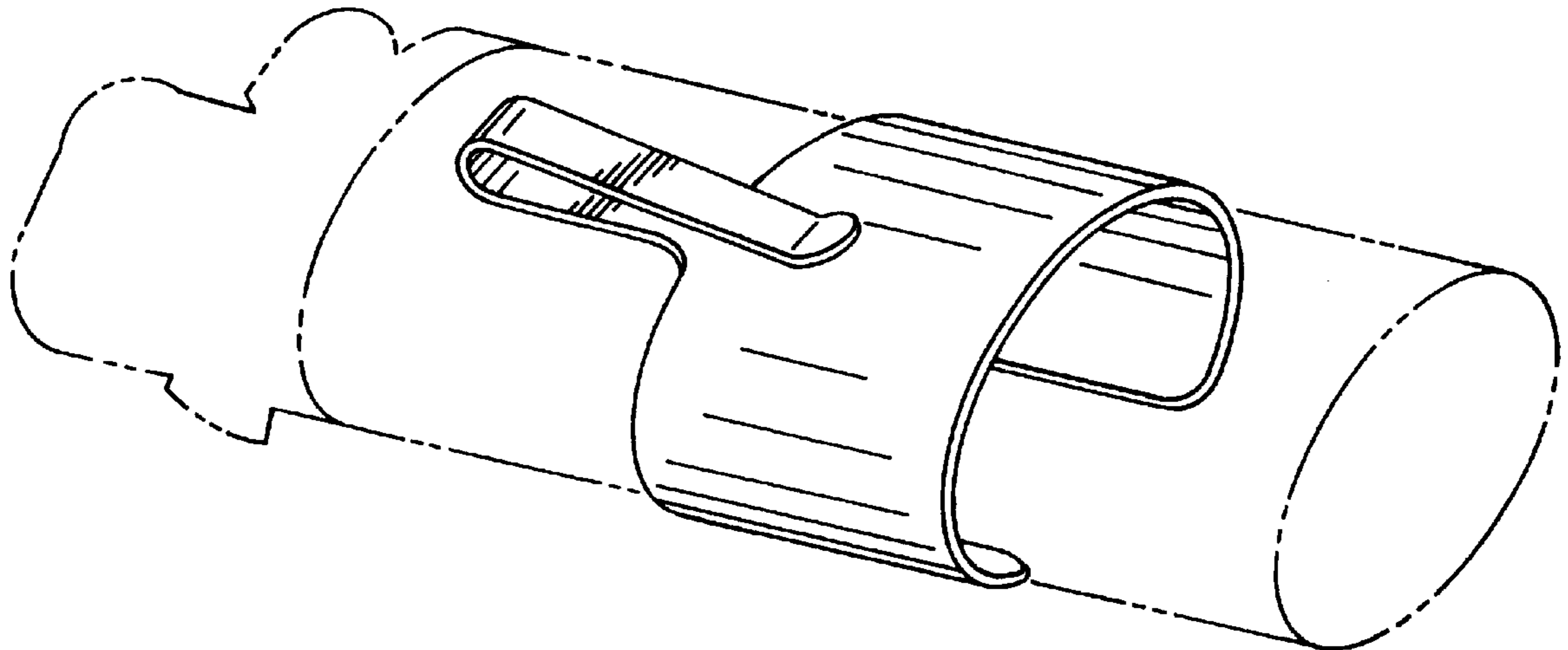
FIG. 3 is a front side view of my design as shown at FIG.
1.

FIG. 4 is a side view of my design as shown at FIG. 1.

FIG. 5 is a rear side view of my design as shown at FIG. 1;
and,

FIG. 6 is a bottom end view of my design as shown at FIG.
1.

1 Claim, 1 Drawing Sheet



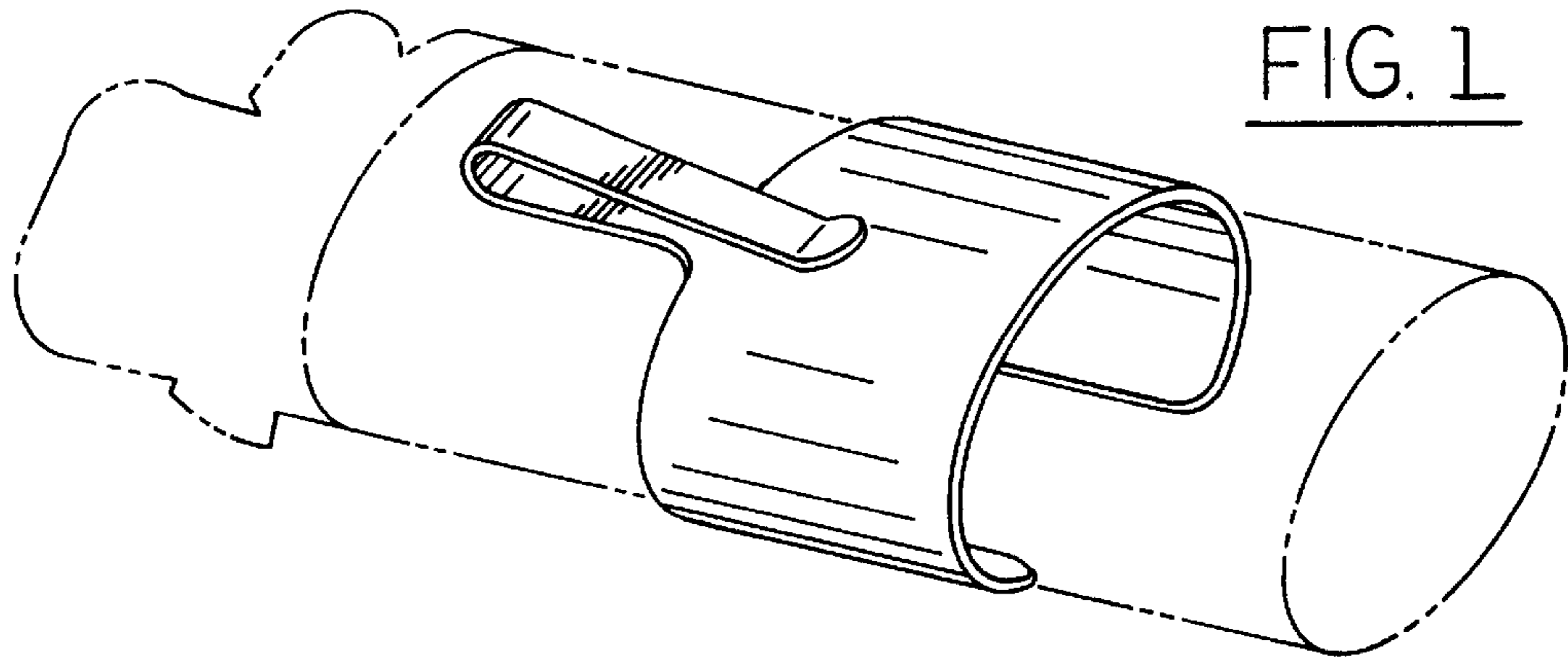


FIG. 1

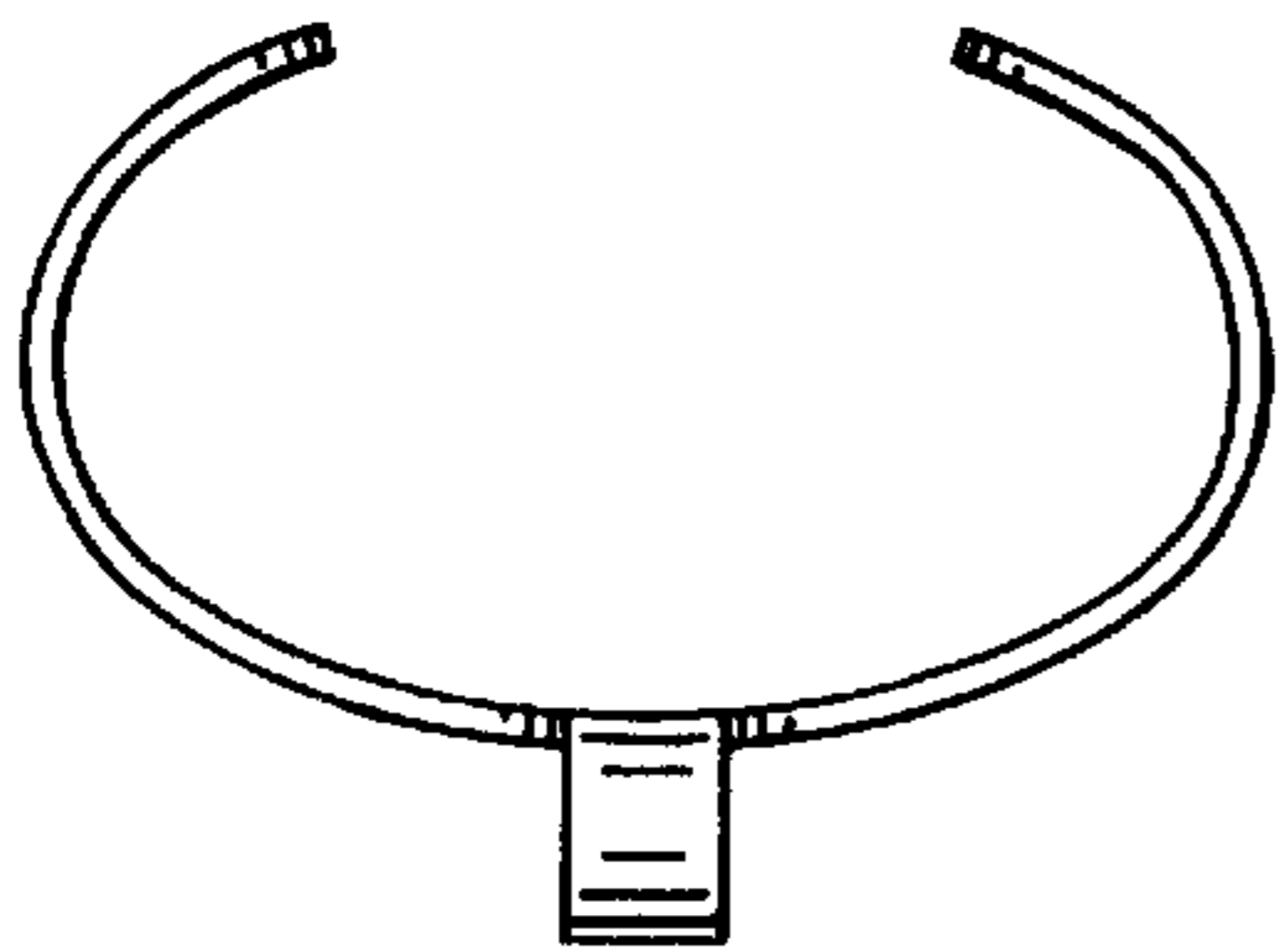


FIG. 2

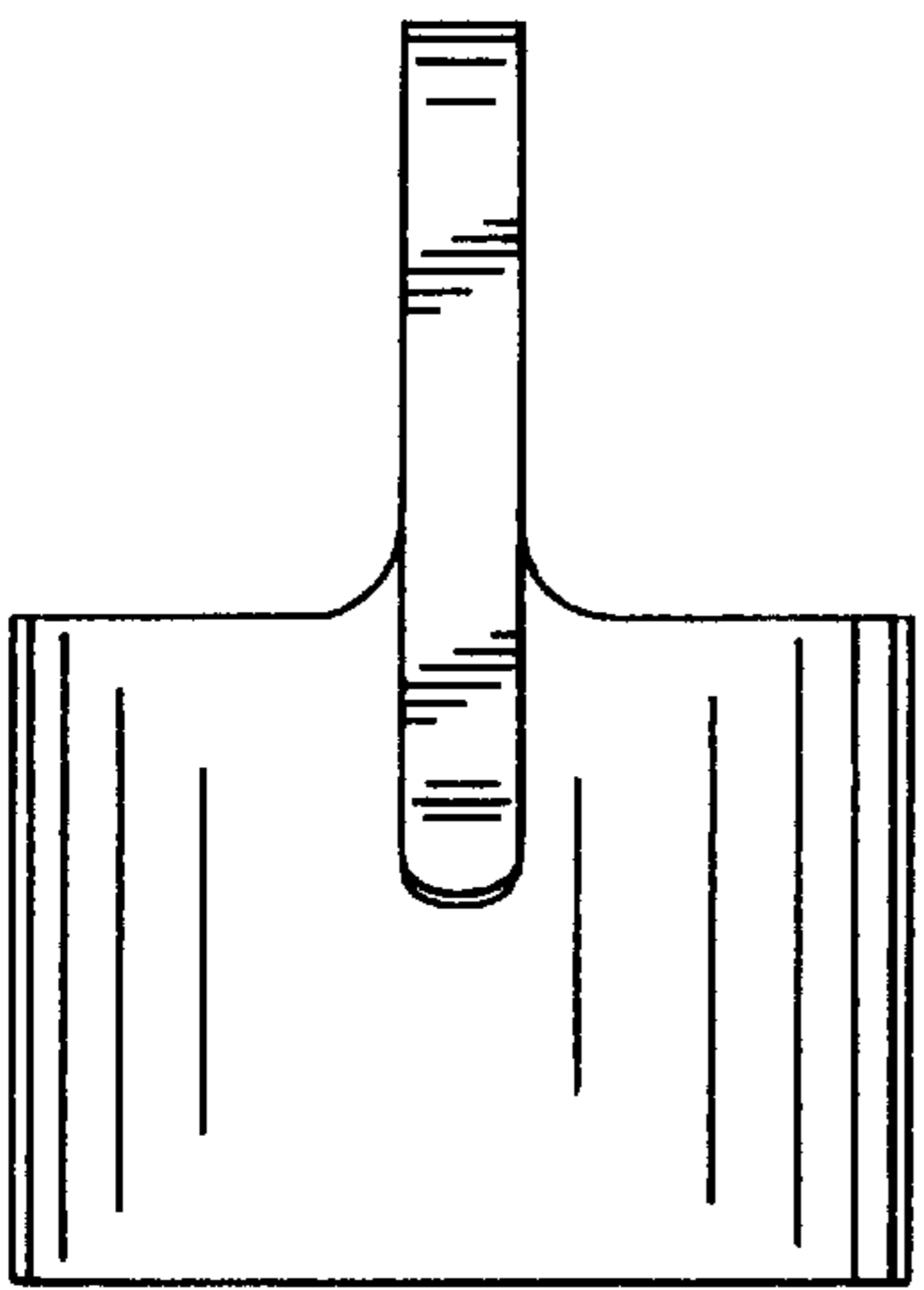


FIG. 3

FIG. 4

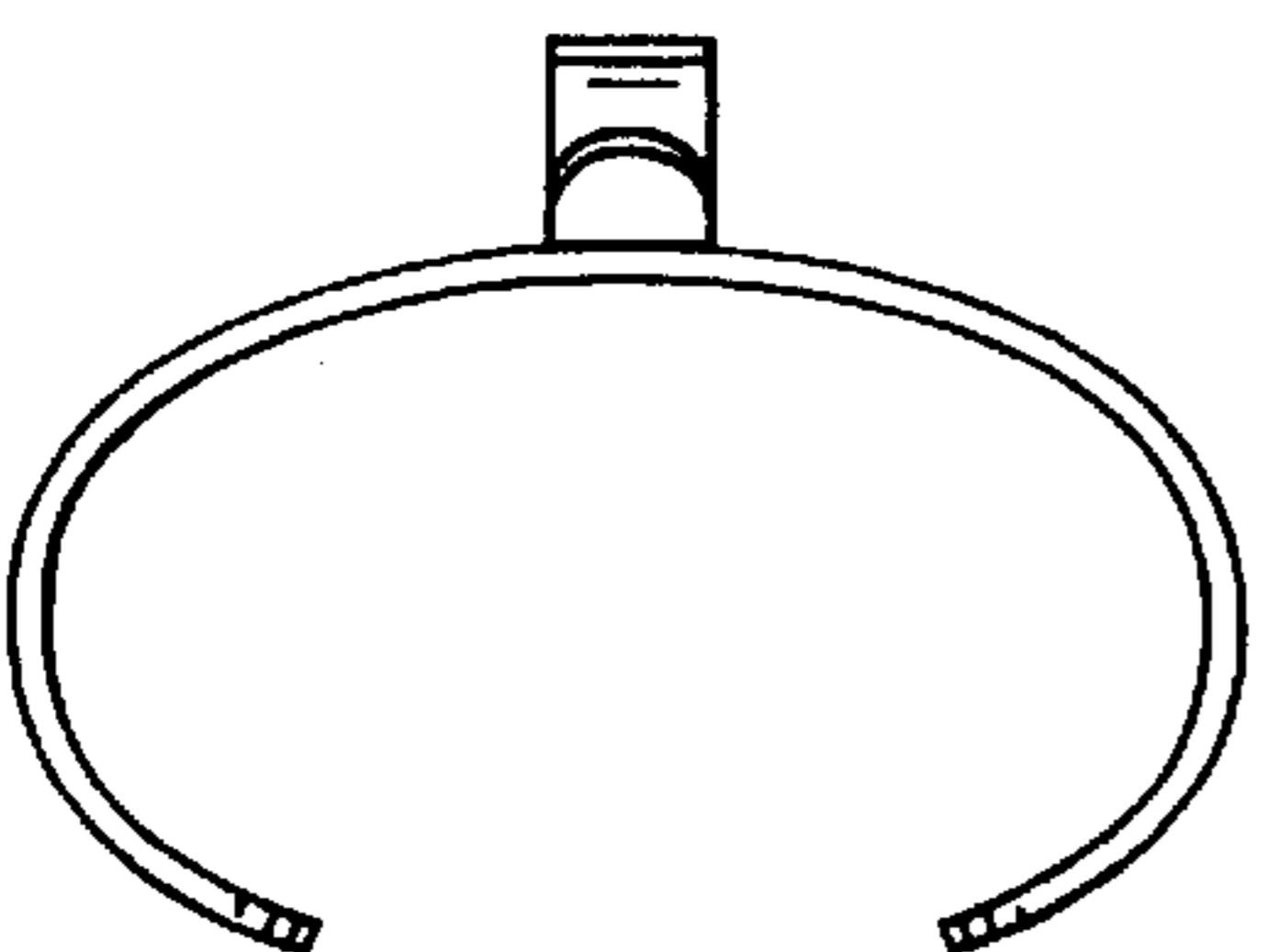
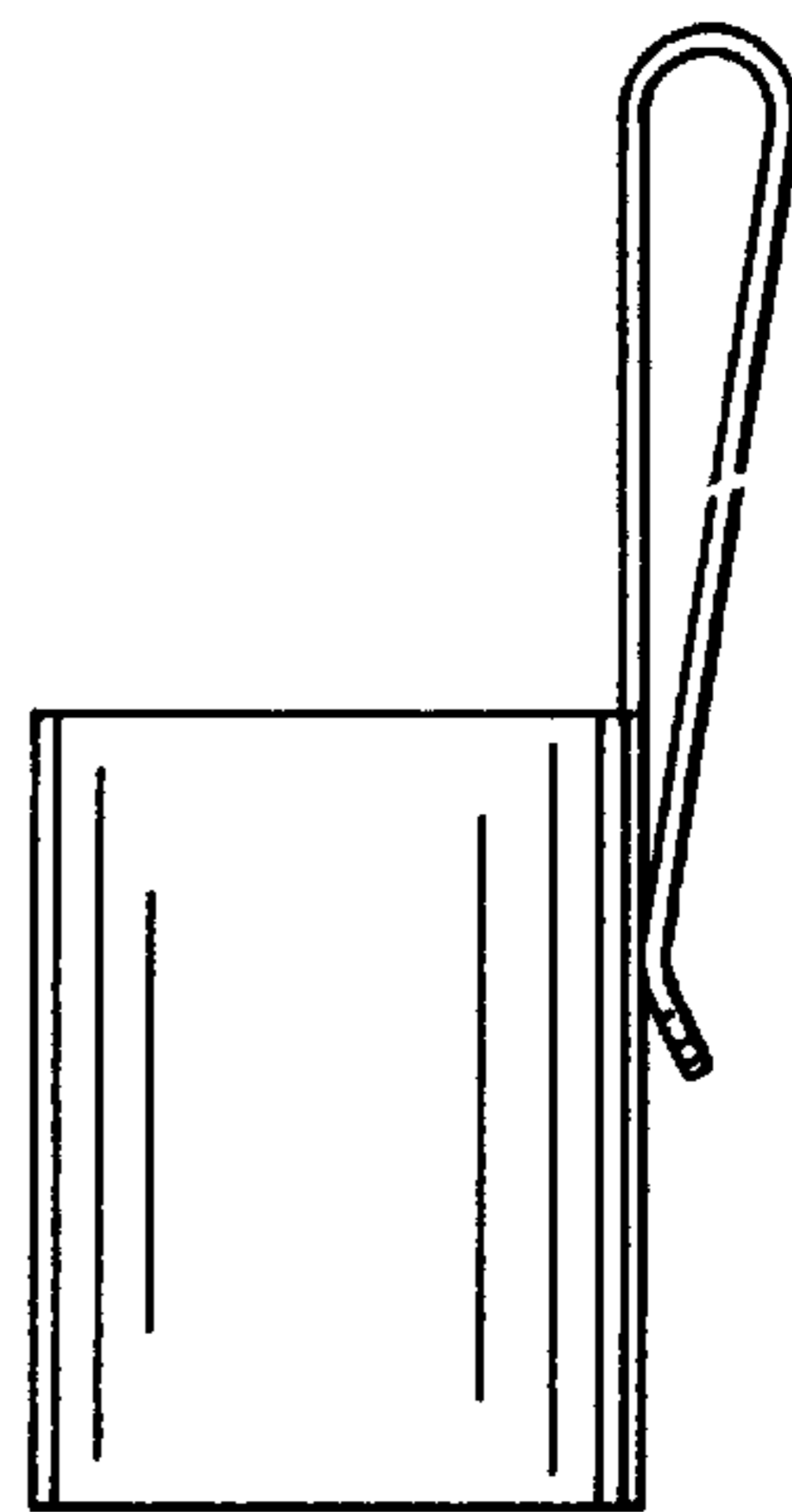


FIG. 6

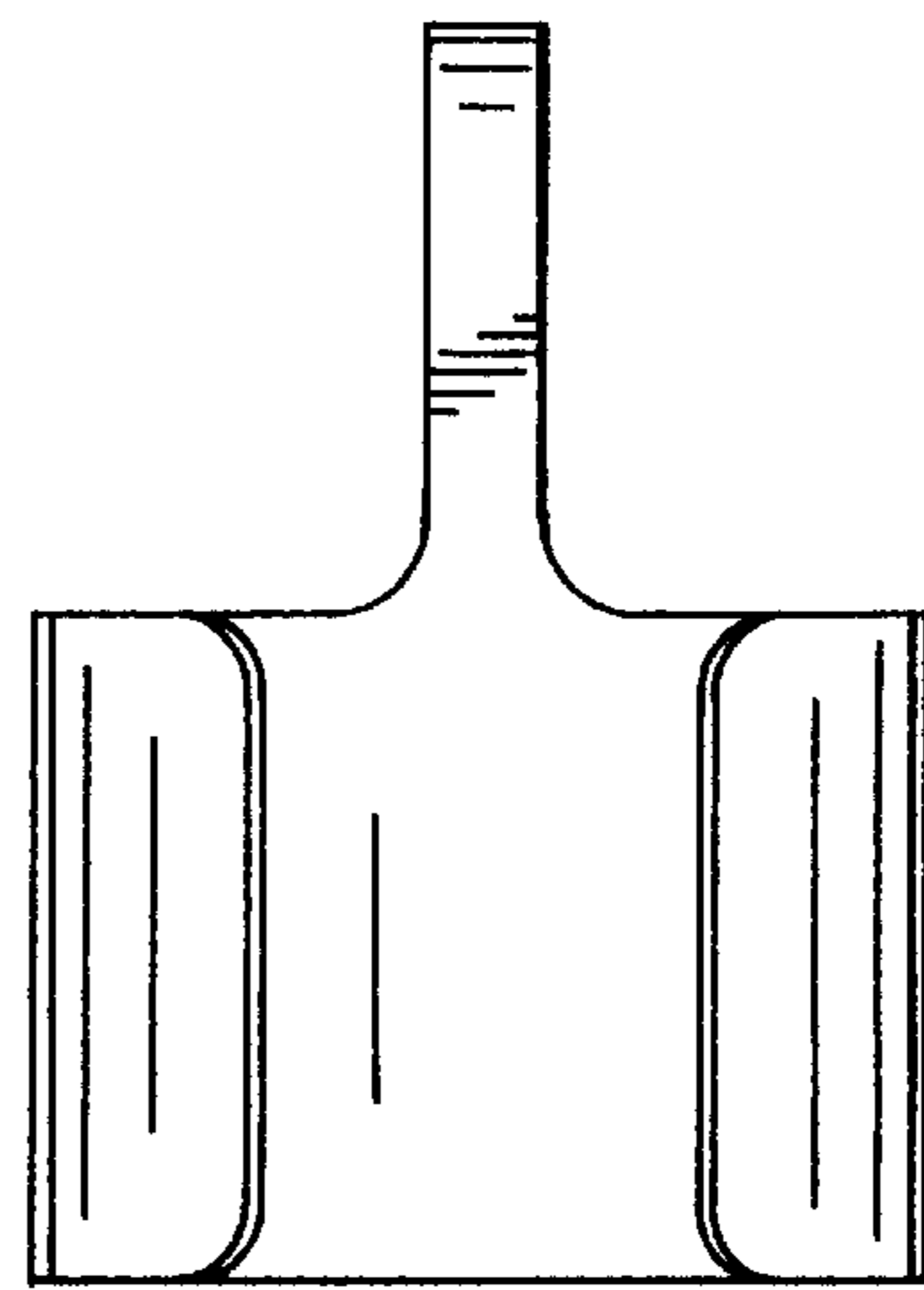


FIG. 5