



US00D471314S

(12) **United States Design Patent**  
**Guthrie**

(10) **Patent No.:** **US D471,314 S**

(45) **Date of Patent:** **\*\* Mar. 4, 2003**

(54) **FACIA RING**

(75) Inventor: **Ian Guthrie**, Victoria (AU)

(73) Assignee: **Spa Electrics Pty,Ltd.**, Noble Park (AU)

(\*\*) Term: **14 Years**

(21) Appl. No.: **29/138,665**

(22) Filed: **Mar. 15, 2001**

(30) **Foreign Application Priority Data**

Sep. 15, 2000 (AU) ..... 2998/00

(51) **LOC (7) Cl.** ..... **26-99**

(52) **U.S. Cl.** ..... **D26/152**

(58) **Field of Search** ..... 362/267, 145,  
362/147, 404, 408, 364, 365; D26/113,  
138, 142, 152

(56) **References Cited**

**U.S. PATENT DOCUMENTS**

5,556,188 A \* 9/1996 Poppenheimer ..... 362/267

D427,368 S \* 6/2000 Kelmelis et al. .... D26/152  
6,250,776 B1 \* 6/2001 Burkitt et al. .... 362/364

\* cited by examiner

*Primary Examiner*—Jennifer Rivard

(74) *Attorney, Agent, or Firm*—Christie, Parker & Hale, LLP

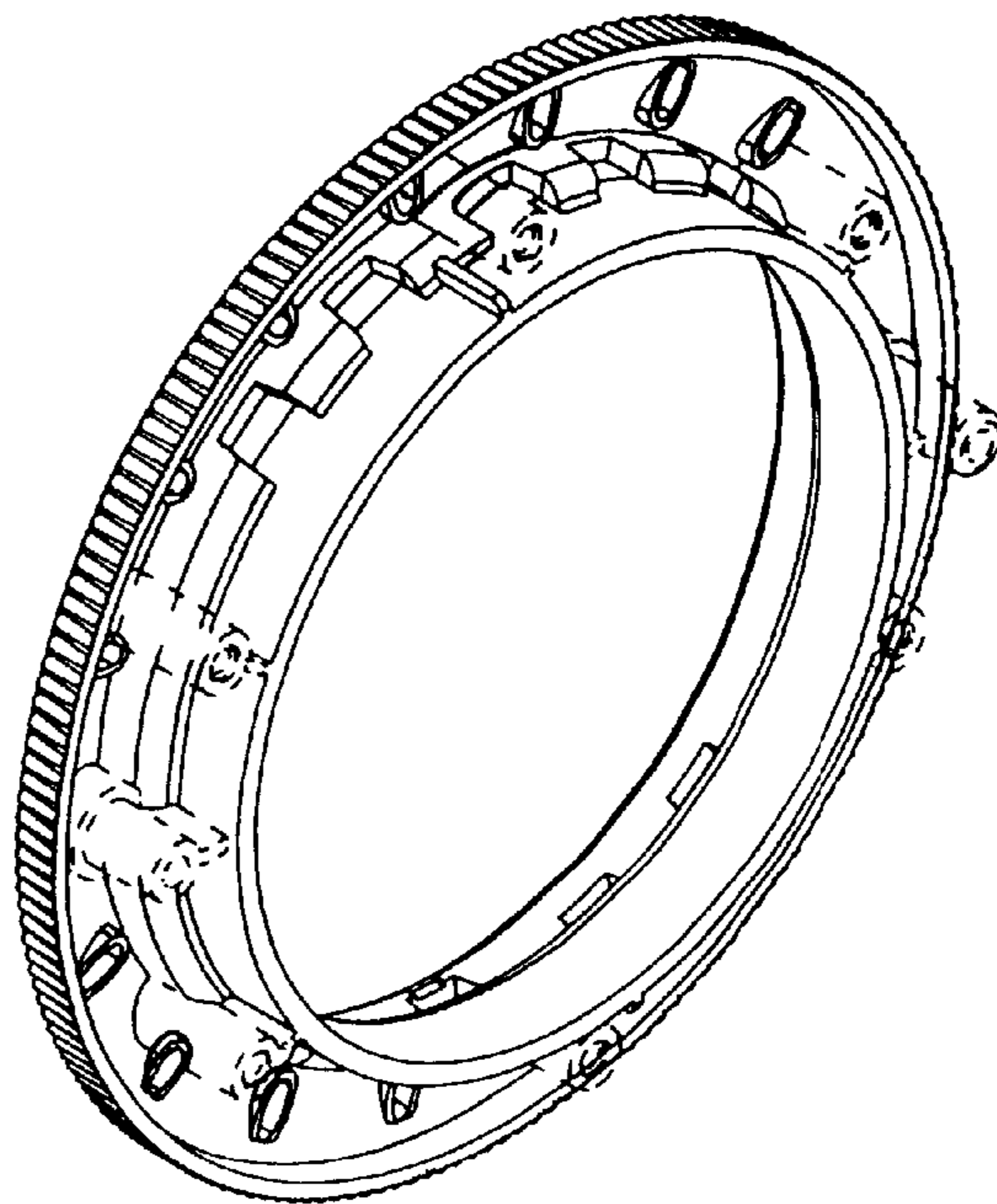
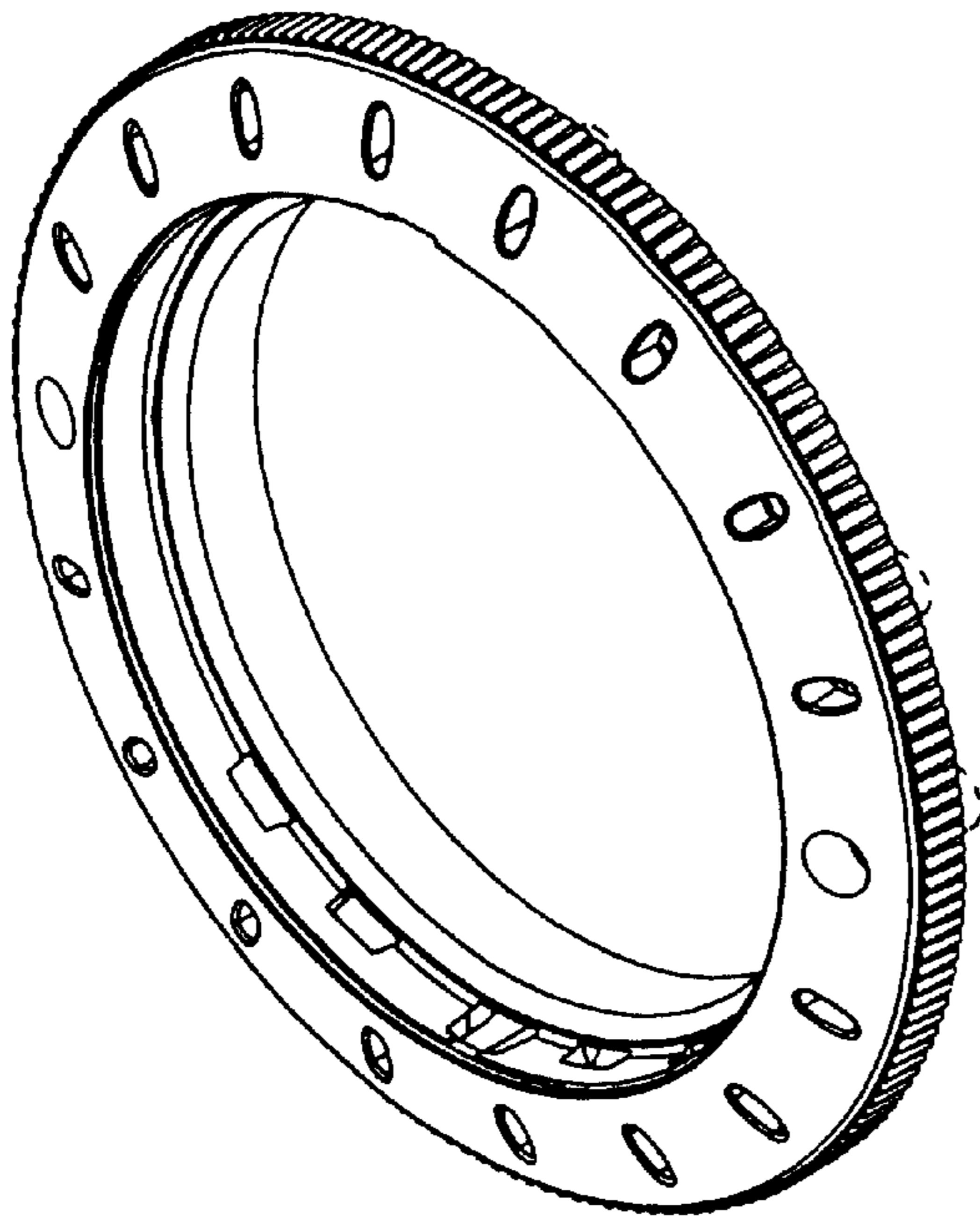
(57) **CLAIM**

The ornamental design for facia ring, as shown and described.

**DESCRIPTION**

FIG. 1 is a left perspective view of the facia ring;  
FIG. 2 is a right perspective view thereof;  
FIG. 3 is a left elevation view thereof;  
FIG. 4 is a right elevation view thereof;  
FIG. 5 is a side elevation view thereof;  
FIG. 6 is an opposite side elevation view thereof; and,  
FIG. 7 is a side elevation view at 90° from FIG. 6.  
The broken line environmental showing is for illustrative purposes only and forms no part of the claimed design.

**1 Claim, 2 Drawing Sheets**



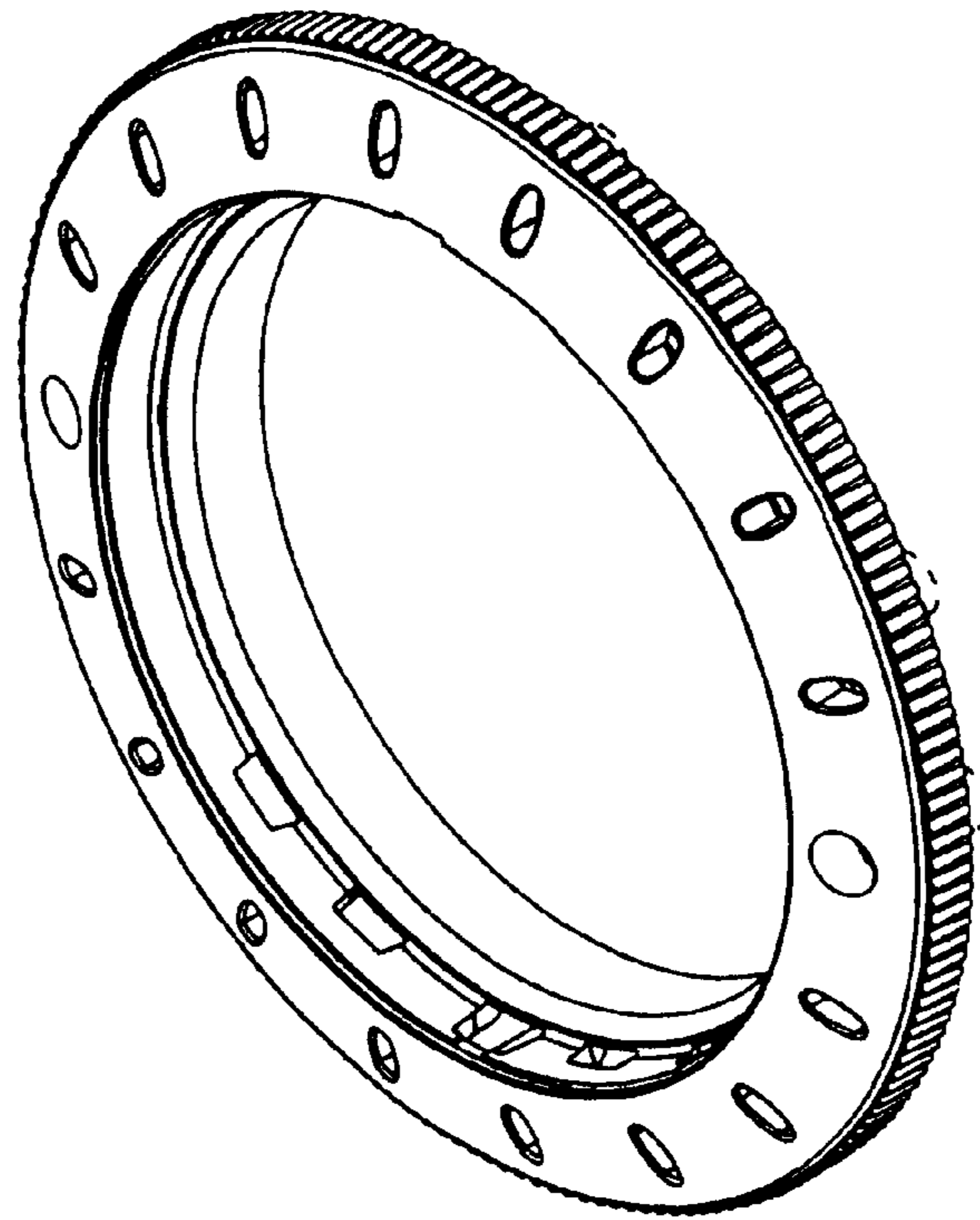


FIG 1

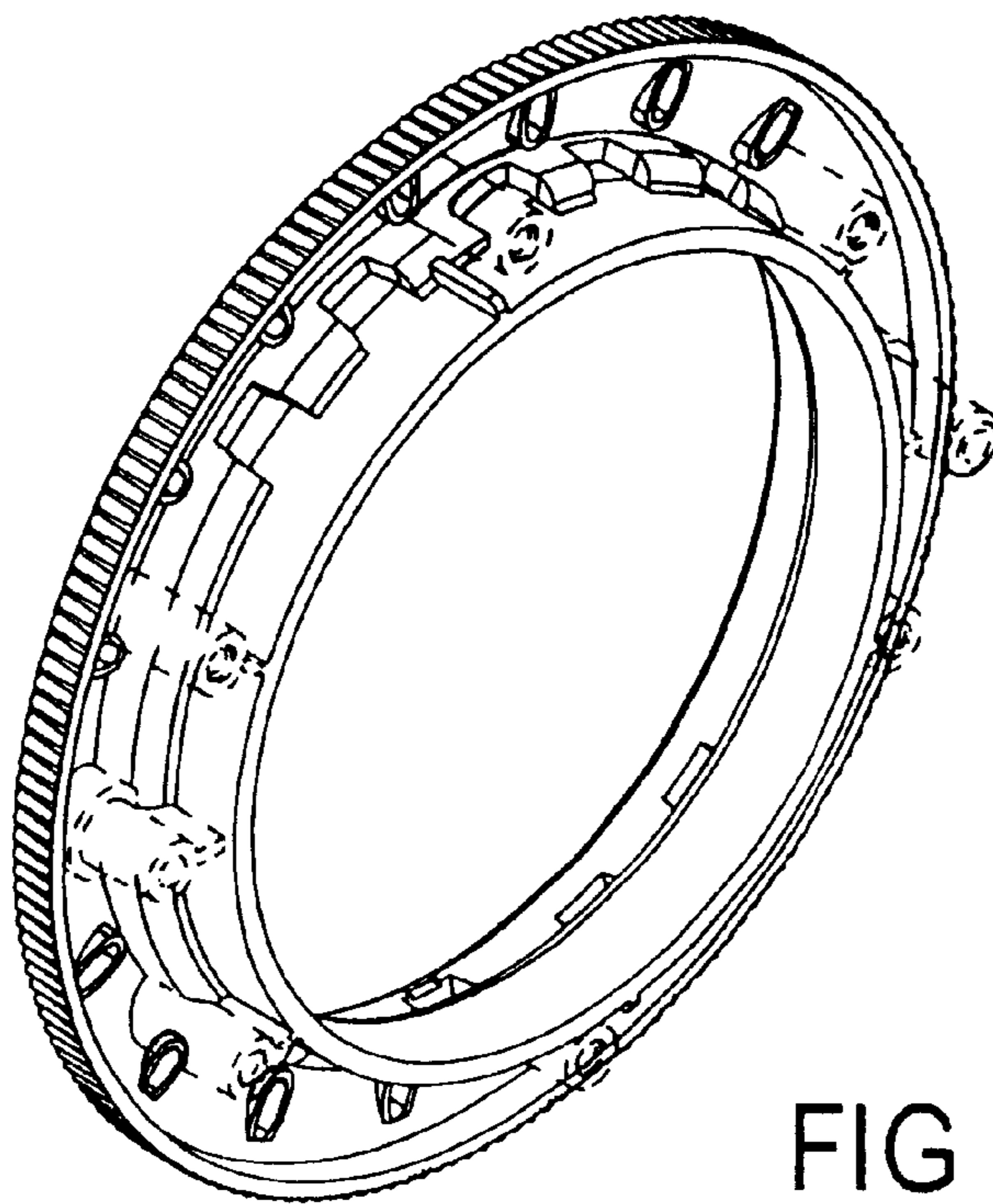


FIG 2

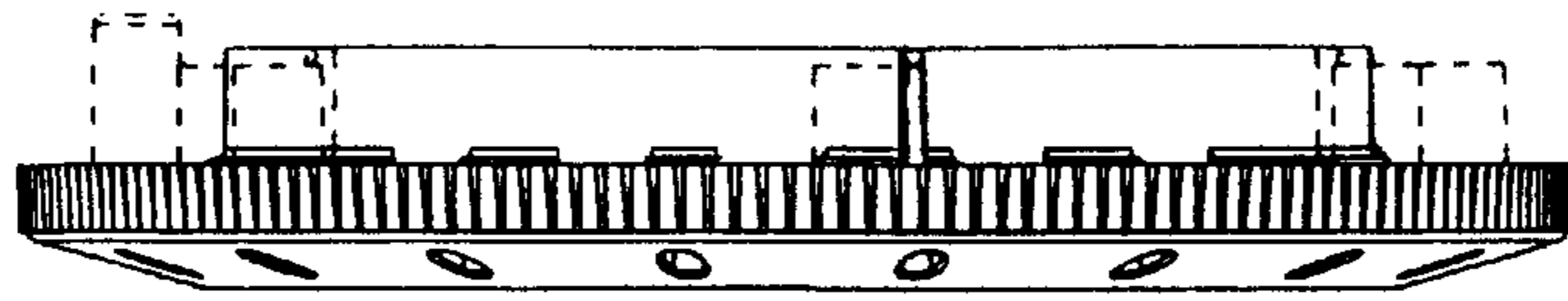


FIG 5

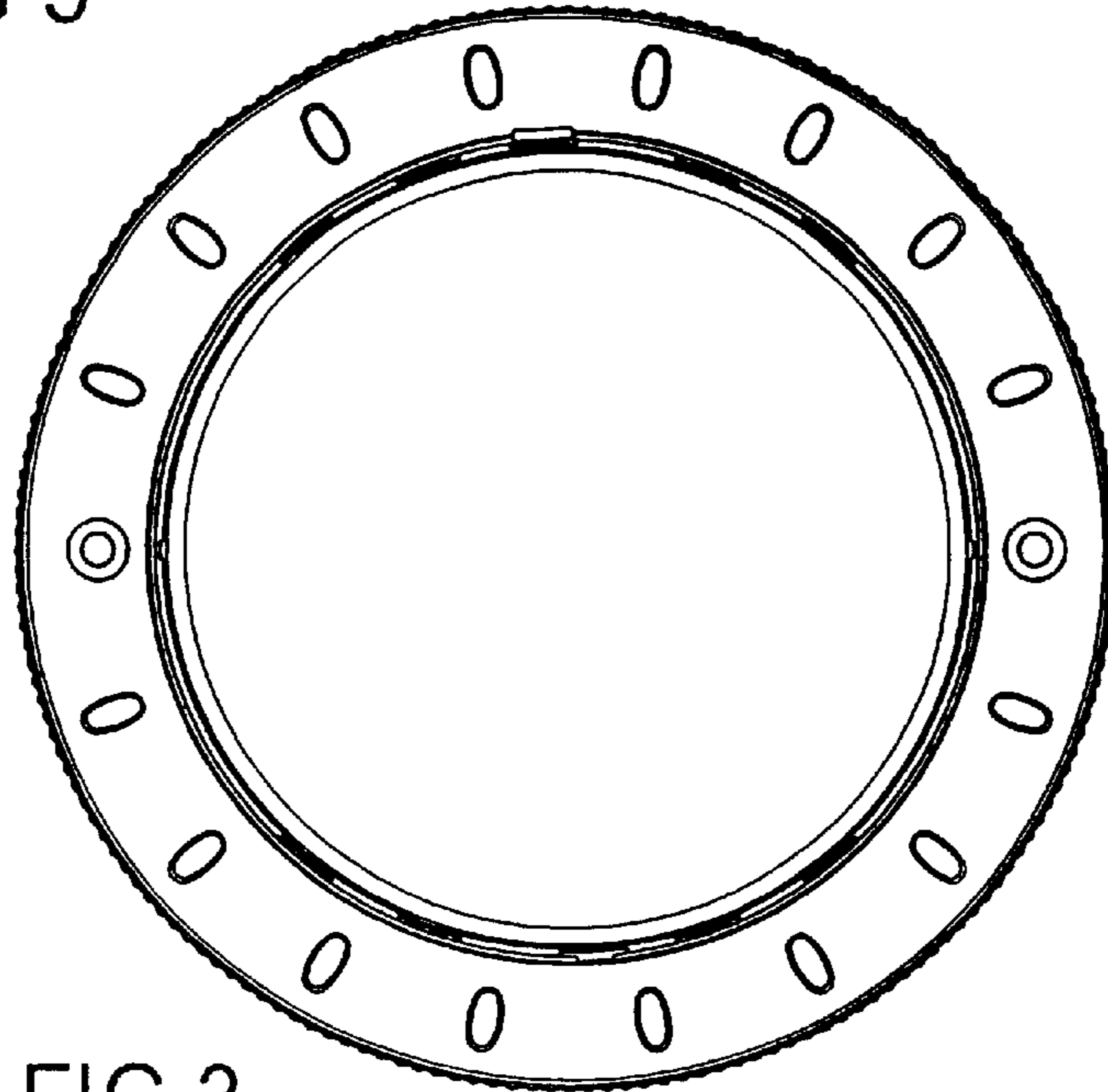


FIG 3

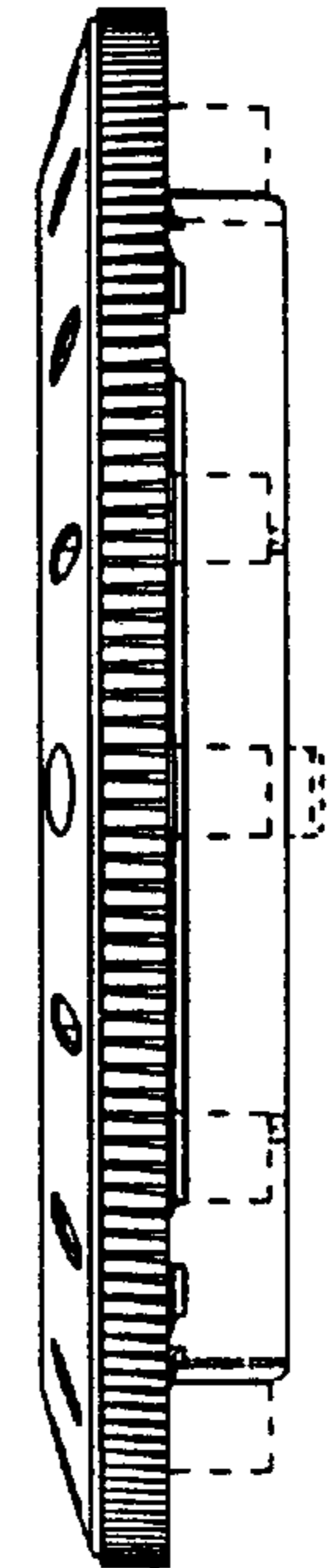


FIG 7

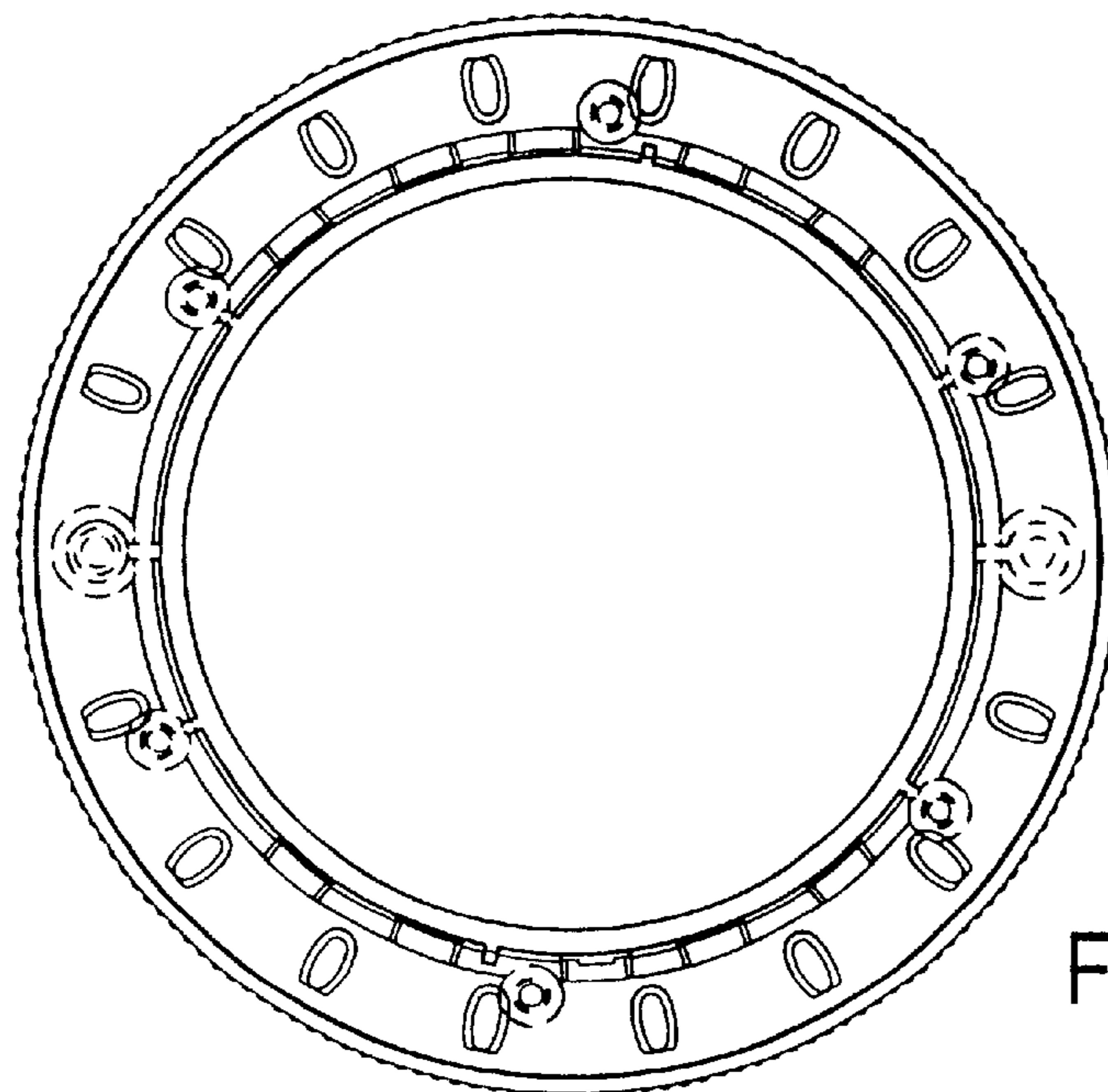


FIG 4

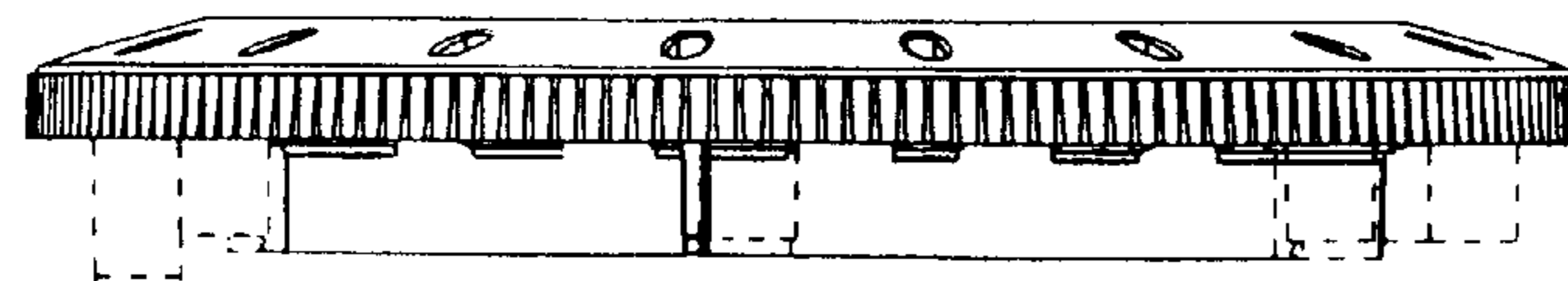


FIG 6