



US00D471311S

(12) **United States Design Patent**
Hsieh

(10) **Patent No.:** **US D471,311 S**

(45) **Date of Patent:** **** Mar. 4, 2003**

(54) **STAND LAMP**

(75) Inventor: **Duan-Cheng Hsieh**, Taipei (TW)

(73) Assignee: **Habitex Corporation**, Taipei (TW)

(**) Term: **14 Years**

(21) Appl. No.: **29/160,115**

(22) Filed: **May 3, 2002**

(51) **LOC (7) Cl.** **26-03**

(52) **U.S. Cl.** **D26/112**

(58) **Field of Search** D26/93, 105-112;
362/410-414, 431

(56) **References Cited**
PUBLICATIONS

Taiwan Lighting Nov. 1999, Habitex Corporation lamp No. 7500 on p. 152.*

Taiwan Lighting Feb. 1998, Viva Co., Ltd. Turbo lamp No. 300M on p. 163.*

Classic Illumination ® by Contemporary Classics, Lamp D.*

* cited by examiner

Primary Examiner—Alan P. Douglas

Assistant Examiner—Linda Brooks

(74) *Attorney, Agent, or Firm*—MacPherson Kwok Chen & Heid LLP

(57) **CLAIM**

The ornamental design for a stand lamp, as shown and described.

DESCRIPTION

FIG. 1 is a perspective view of stand lamp showing my new design;

FIG. 2 is a front elevational view thereof;

FIG. 3 is a rear elevational view thereof;

FIG. 4 is a left side elevational view thereof;

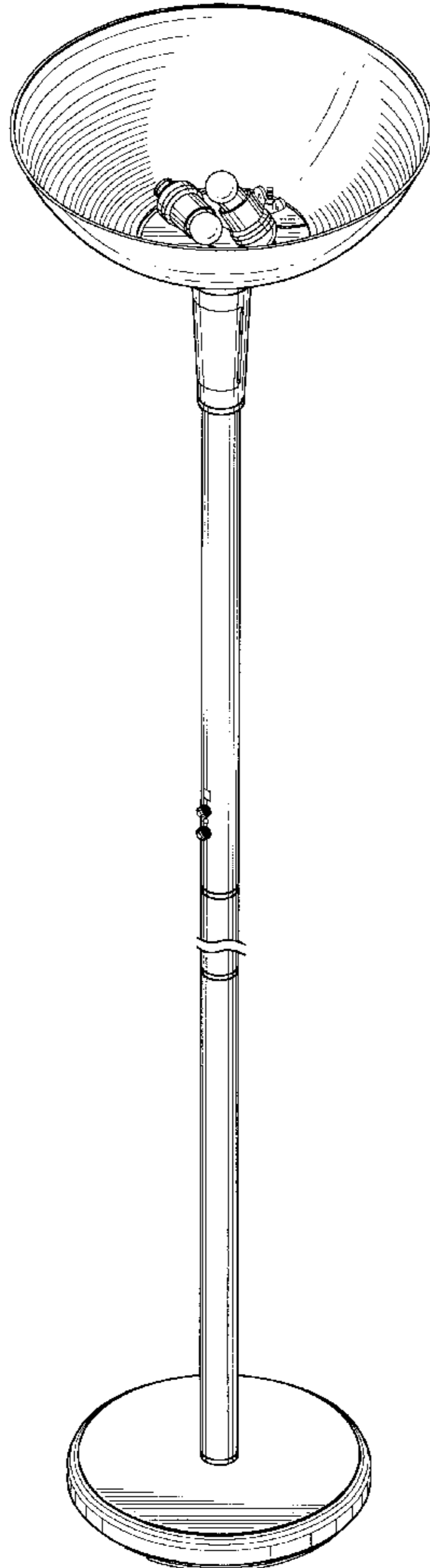
FIG. 5 is a right side elevational view thereof;

FIG. 6 is a top plan view thereof; and,

FIG. 7 is a bottom plan view thereof.

The standard is shown broken away to indicate indeterminate length.

1 Claim, 6 Drawing Sheets



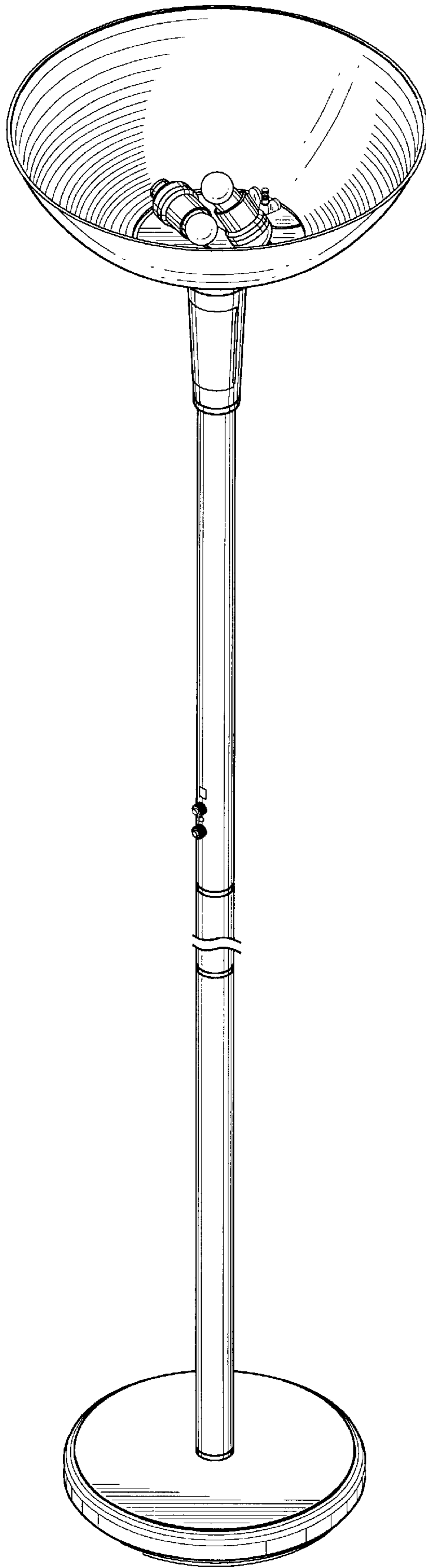


FIG. 1

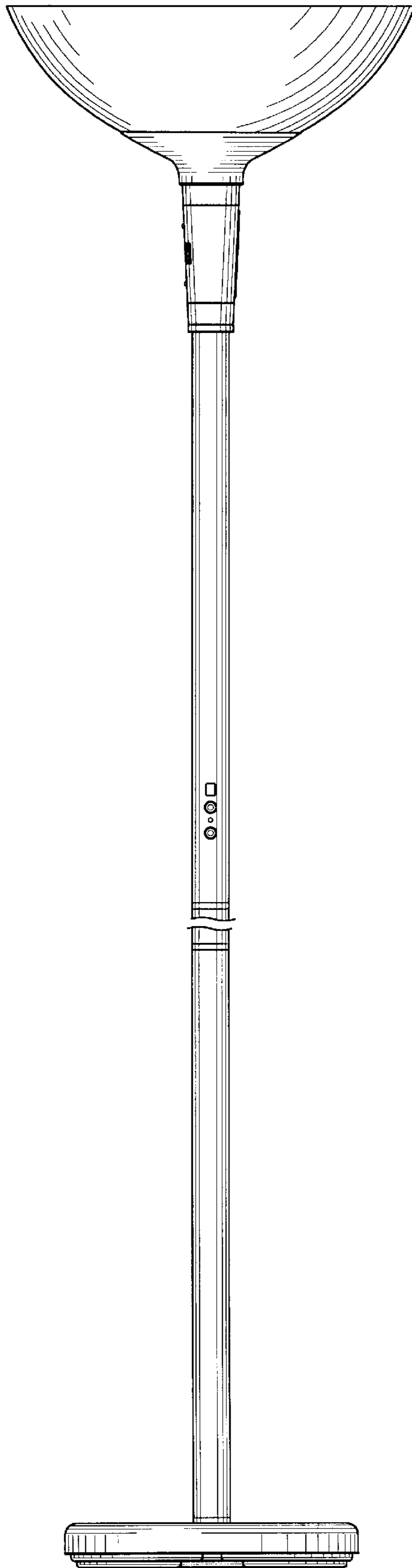


FIG. 2

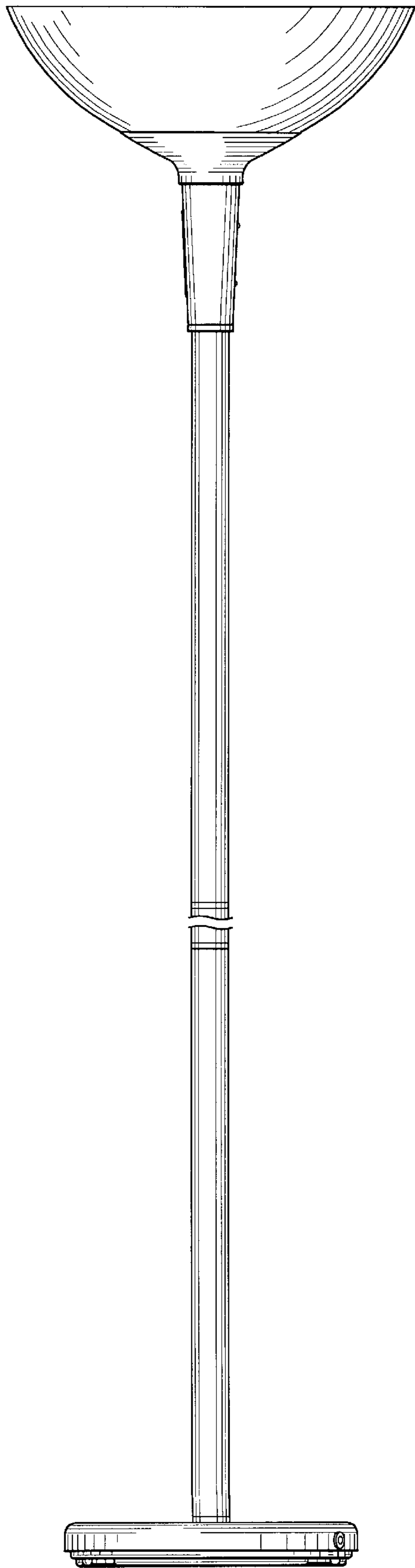


FIG. 3

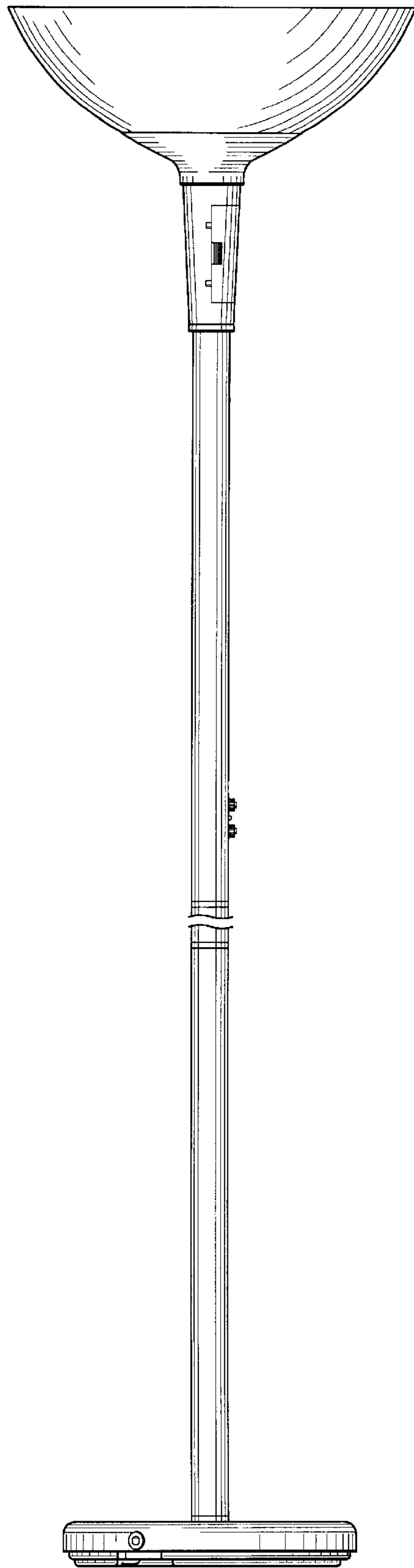


FIG. 4

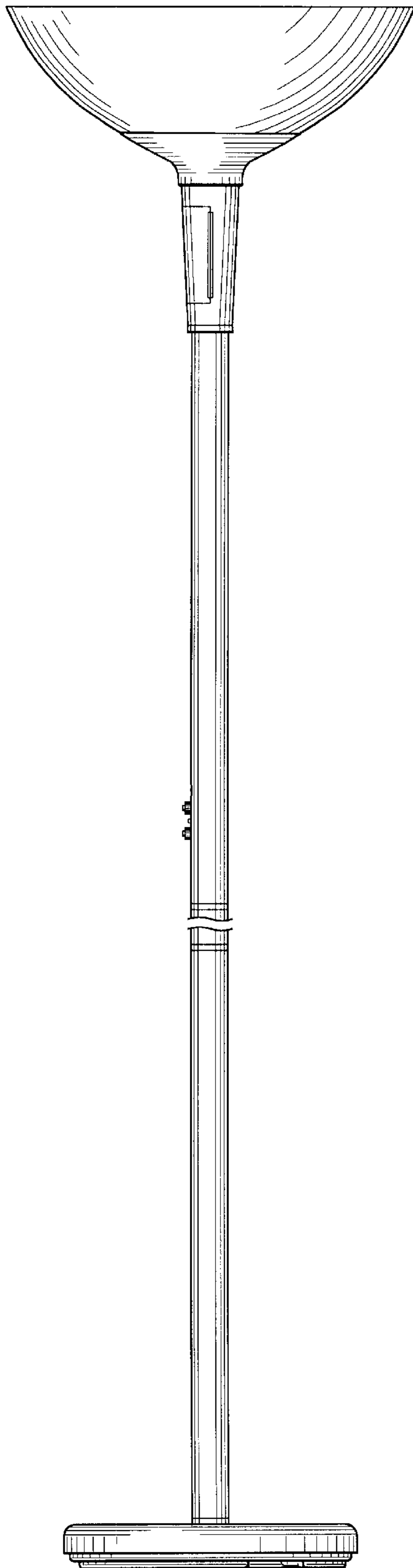


FIG. 5

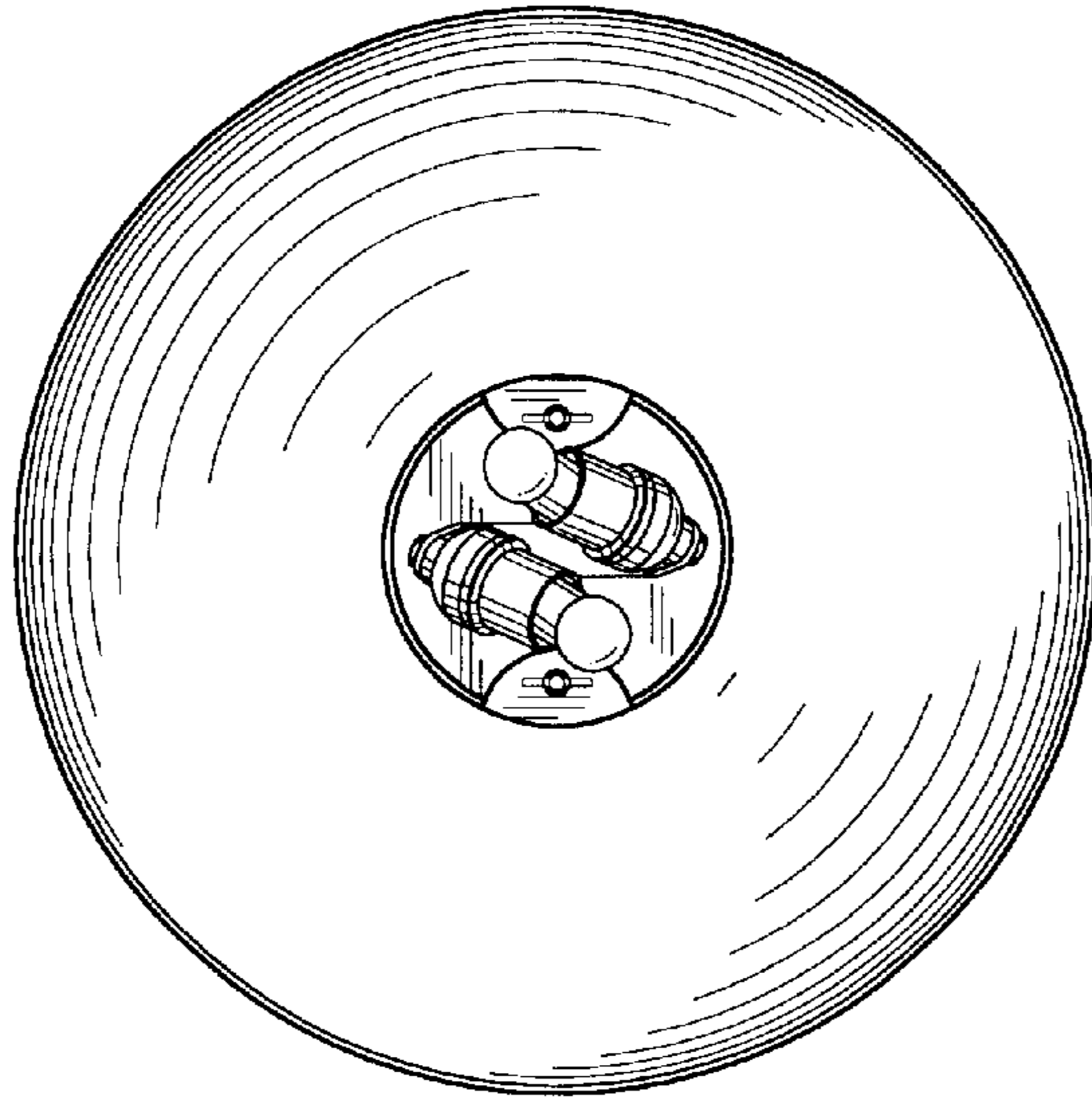


FIG. 6

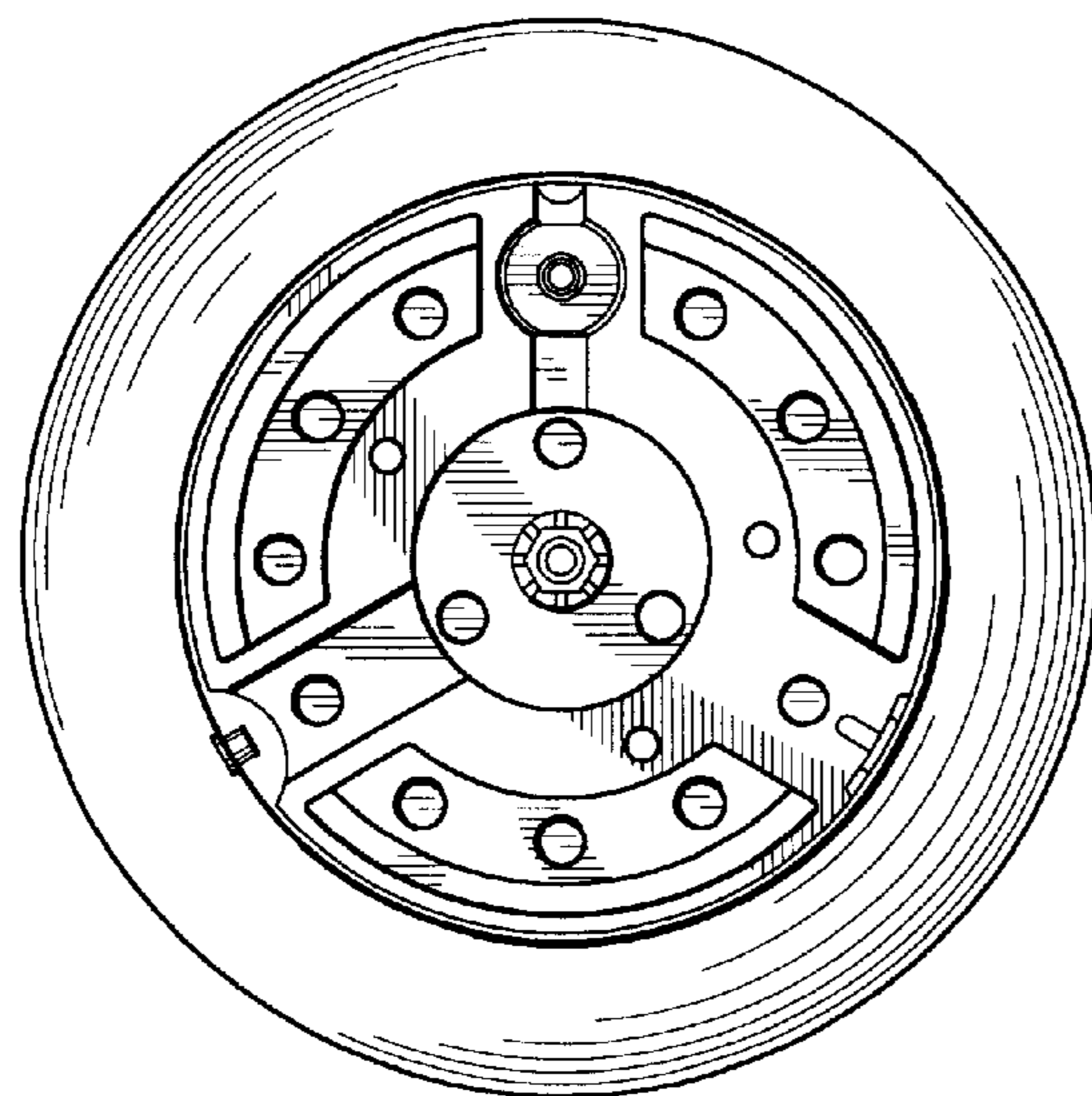


FIG. 7