



US00D471305S

(12) **United States Design Patent**
Luquire

(10) **Patent No.:** **US D471,305 S**

(45) **Date of Patent:** **** Mar. 4, 2003**

(54) **COMBINATION SNAP HOOK AND FLASHLIGHT**

Primary Examiner—Marcus A. Jackson
(74) *Attorney, Agent, or Firm*—Krieg DeVault Lundy, LLP

(76) **Inventor:** **L. Hans Luquire**, 2025 Second St.,
Montgomery, AL (US) 36106

(57) **CLAIM**

(**) **Term:** **14 Years**

The ornamental design for a combination snap hook and flashlight, as shown and described.

(21) **Appl. No.:** **29/160,032**

DESCRIPTION

(22) **Filed:** **May 3, 2002**

FIG. 1 is a front view of the combination snap hook and flashlight.

(51) **LOC (7) Cl.** **26-02**

(52) **U.S. Cl.** **D26/38**

(58) **Field of Search** D26/37-50; 362/157,
362/158, 171, 172, 173, 183-208

FIG. 2 is a side view of the combination snap hook and flashlight, showing the flashlight side, as shown in FIG. 1.

FIG. 3 is a side view of the combination snap hook and flashlight, showing the snap hook side, as shown in FIG. 1.

(56) **References Cited**

U.S. PATENT DOCUMENTS

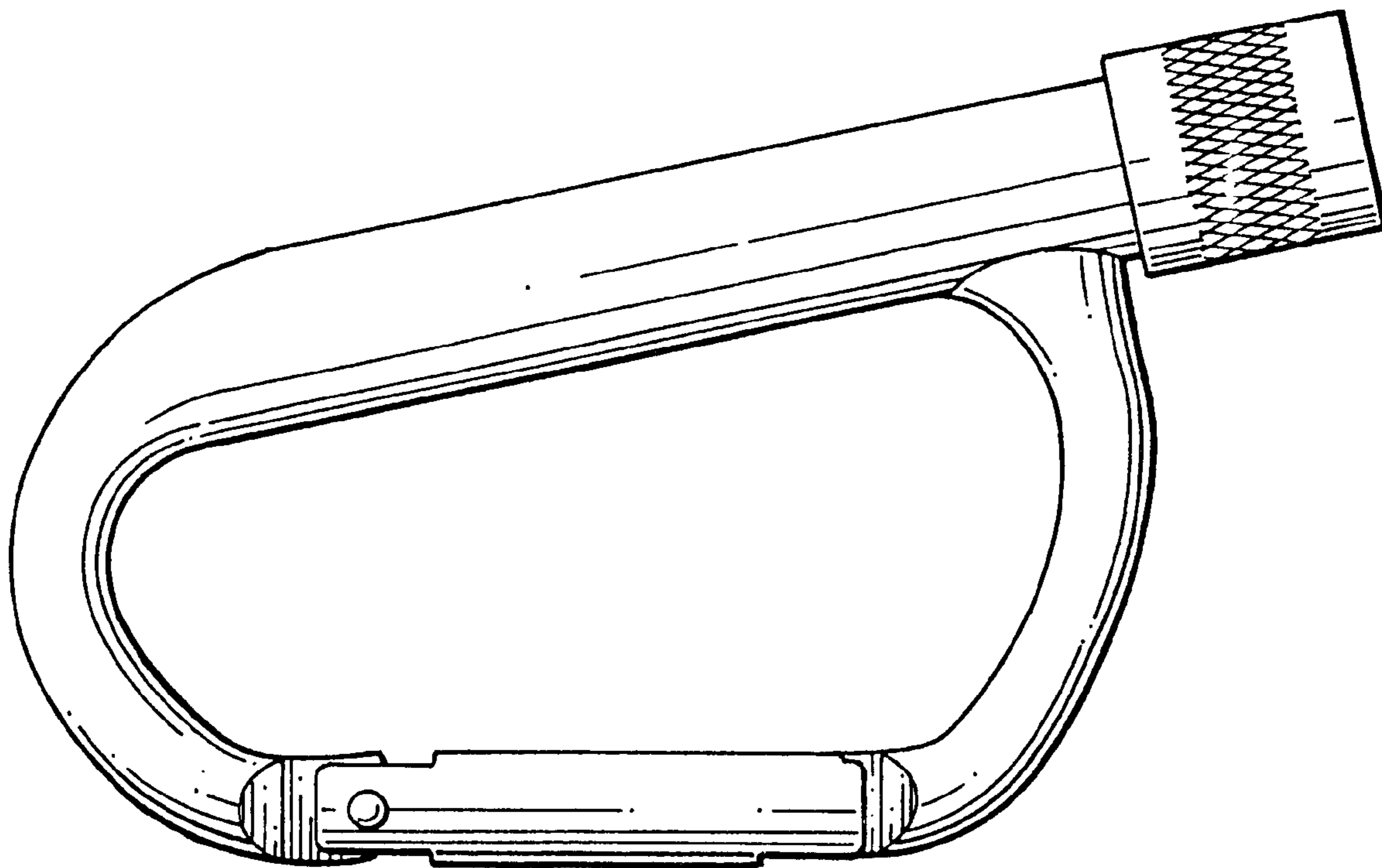
- D441,473 S * 5/2001 Parsons et al. D26/38
- D445,518 S * 7/2001 Warden D26/38
- D445,928 S * 7/2001 Sharrah et al. D26/38

FIG. 4 is an end view of the combination snap hook and flashlight, as shown in FIG. 1; and,

FIG. 5 is an opposite end view of the combination snap hook and flashlight, as shown in FIG. 4.

* cited by examiner

1 Claim, 3 Drawing Sheets



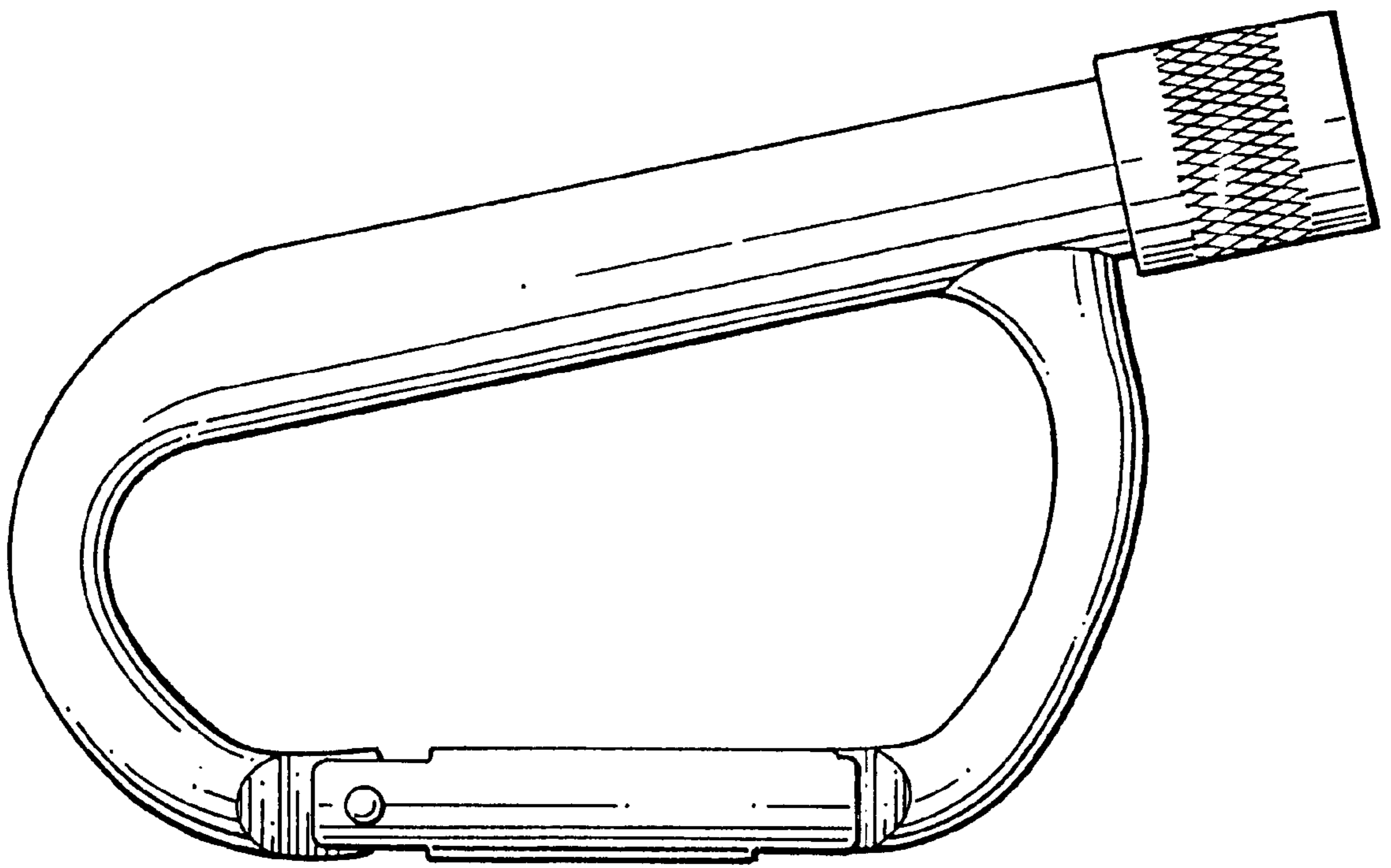


FIG. 1

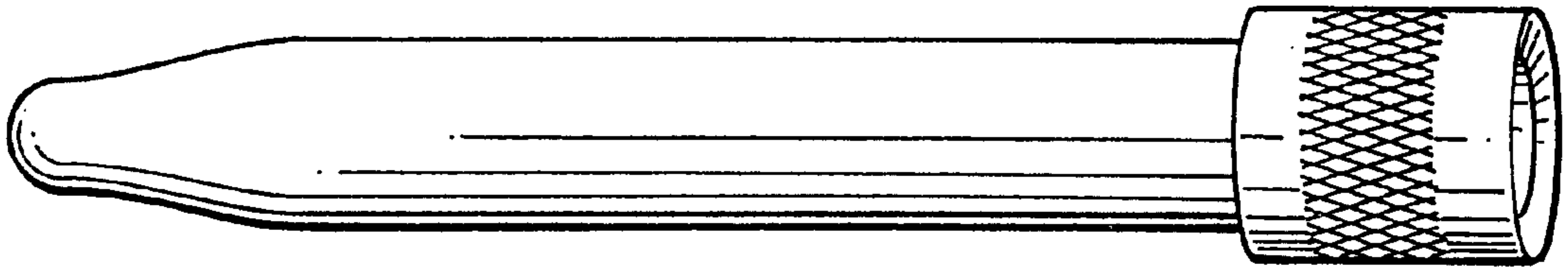


FIG. 2

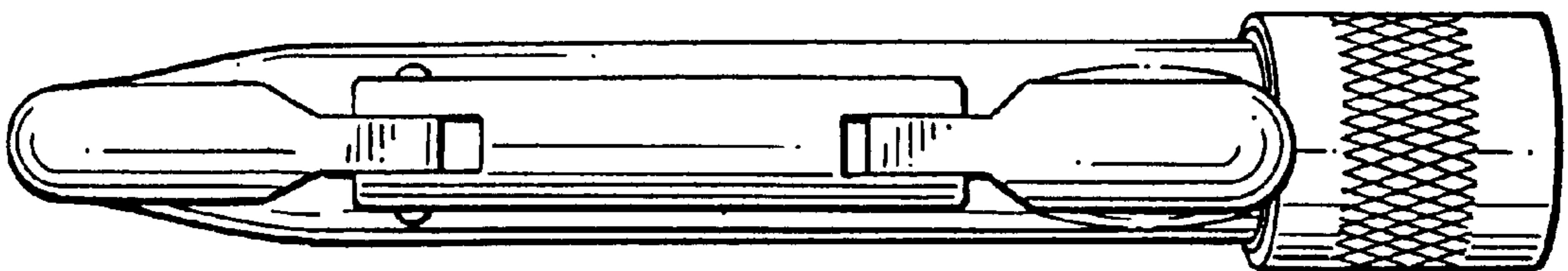


FIG. 3

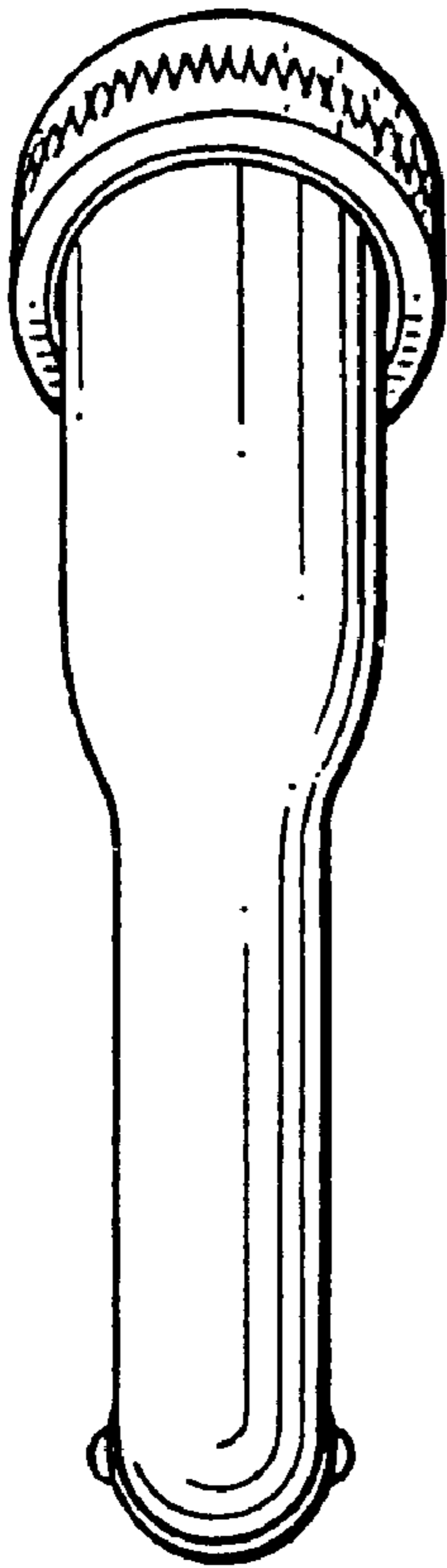


FIG. 4

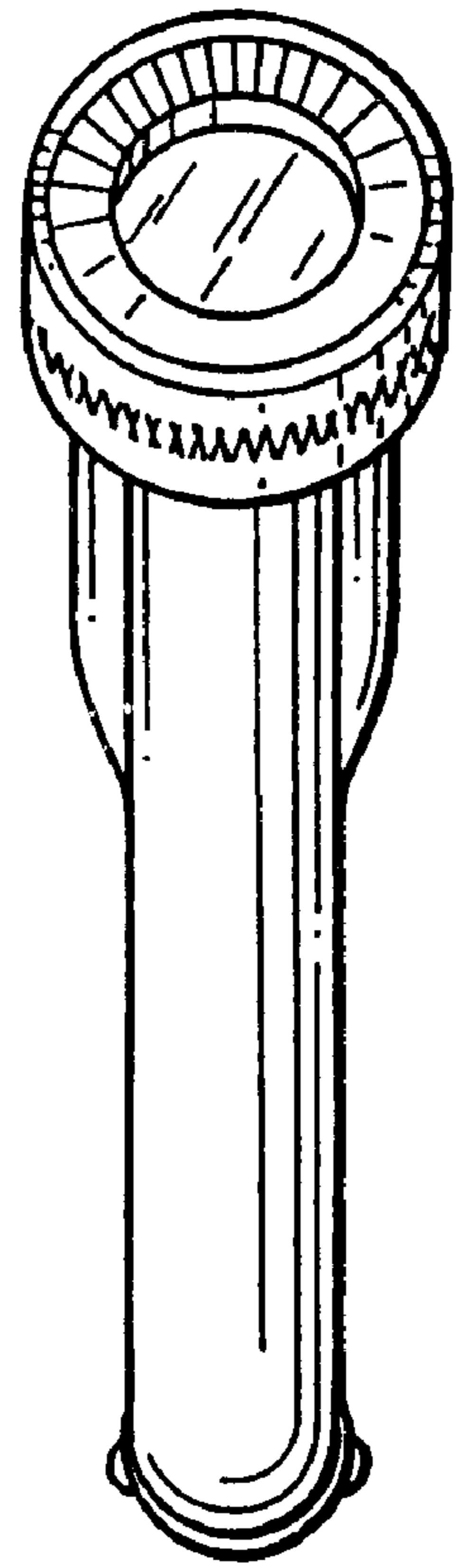


FIG. 5