



US00D471288S

(12) **United States Design Patent**
Feik

(10) **Patent No.:** **US D471,288 S**

(45) **Date of Patent:** **** Mar. 4, 2003**

(54) **STEP LADDER WHEEL ATTACHMENT**

(75) **Inventor:** **Frederick G. Feik**, Maple Plain, MN (US)

(73) **Assignee:** **American Innovations, Inc.**, Long Lake, MN (US)

(**) **Term:** **14 Years**

(21) **Appl. No.:** **29/161,081**

(22) **Filed:** **May 21, 2002**

(51) **LOC (7) Cl.** **25-04**

(52) **U.S. Cl.** **D25/68**

(58) **Field of Search** D25/68; 248/129; 182/82, 195

(56) **References Cited**

U.S. PATENT DOCUMENTS

D274,945 S	*	7/1984	Fitch	D25/68
4,485,893 A	*	12/1984	Fontan	182/82
D431,081 S	*	9/2000	Johansson et al.	D25/68

* cited by examiner

Primary Examiner—Doris Clark

(74) *Attorney, Agent, or Firm*—Westman, Champlin & Kelly, P.A.

(57) **CLAIM**

The ornamental design for a step ladder wheel attachment, as shown and described.

DESCRIPTION

FIG. 1 is a perspective view of a step ladder wheel attachment embodying my new design, in place on a ladder represented in the dotted line;

FIG. 2 is a rear perspective view thereof;

FIG. 3 is a top plan view thereof;

FIG. 4 is a rear elevational view thereof;

FIG. 5 is a left side elevational view thereof;

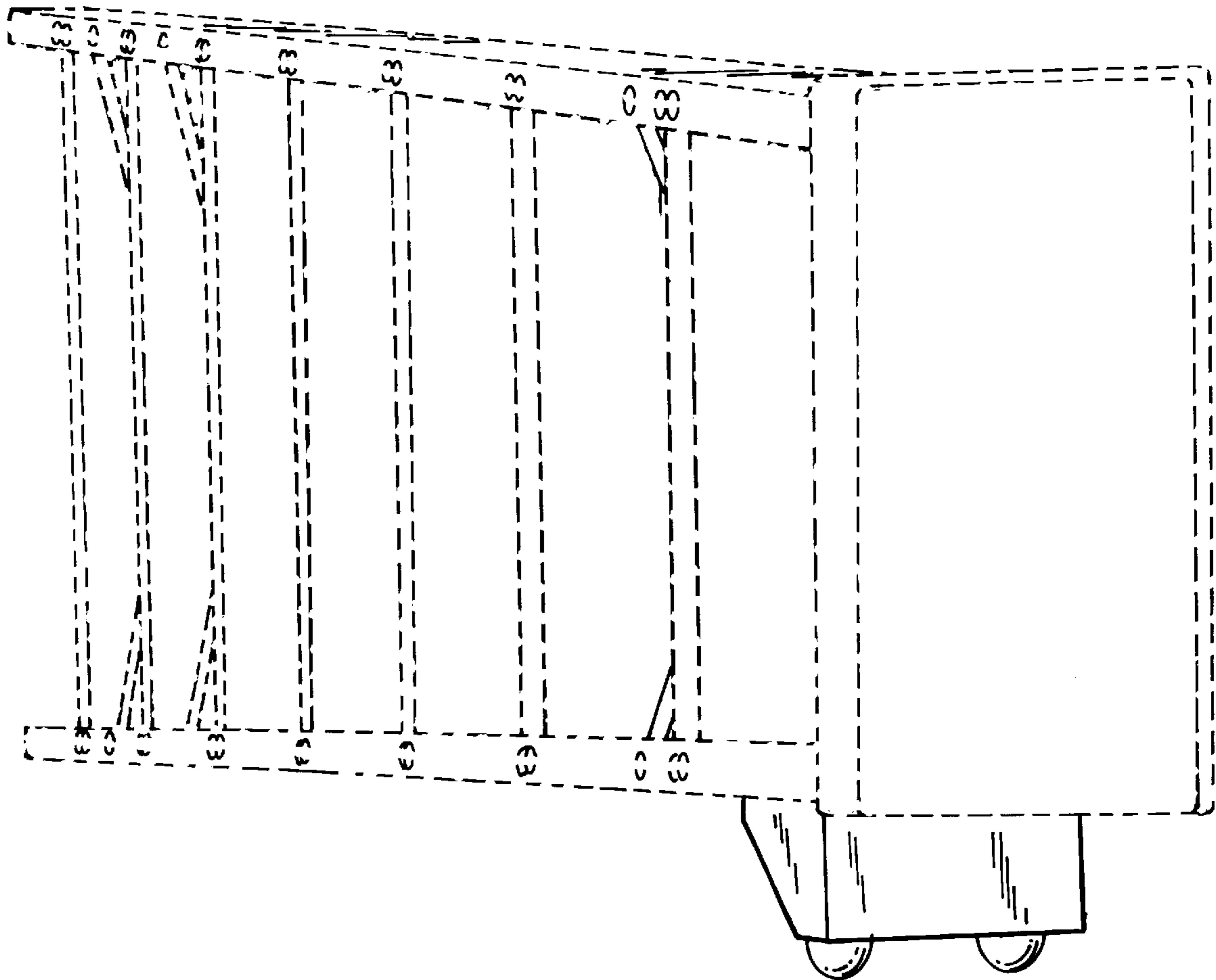
FIG. 6 is a right side elevational view thereof;

FIG. 7 is a front elevational view thereof; and,

FIG. 8 is a bottom plan view thereof.

The dotted line representation is for illustrative purposes only and forms no part of the claimed design.

1 Claim, 4 Drawing Sheets



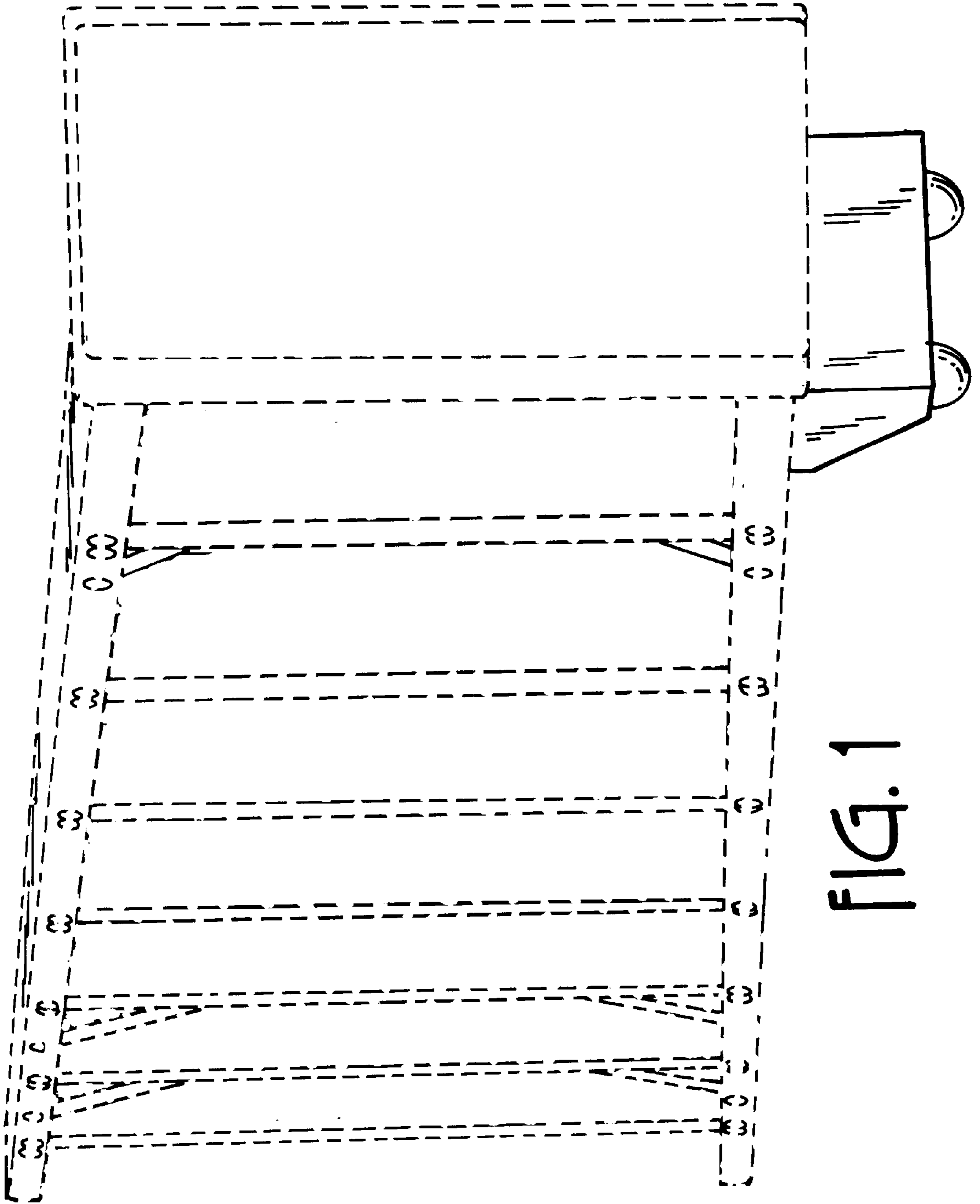


FIG. 1

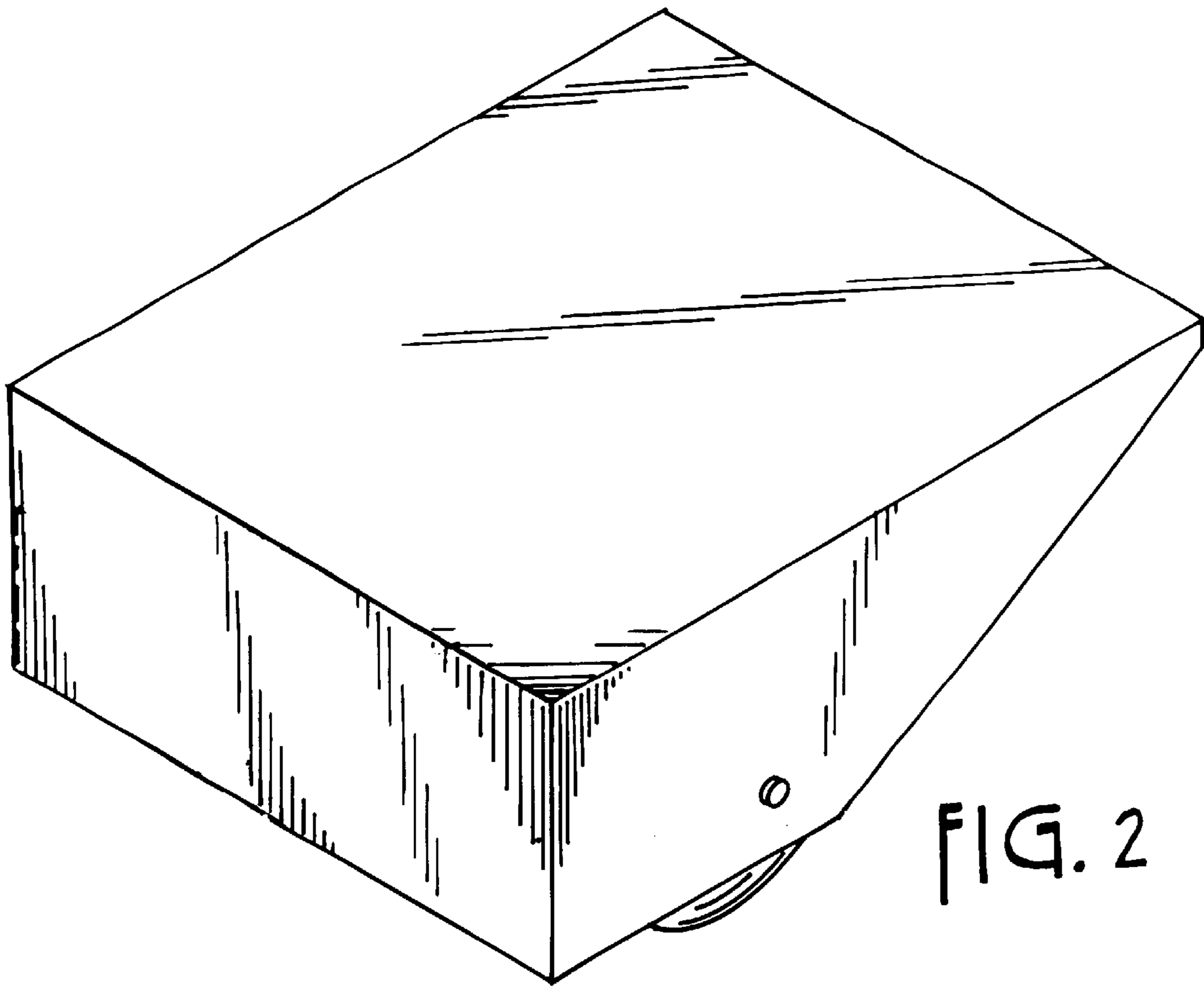


FIG. 2

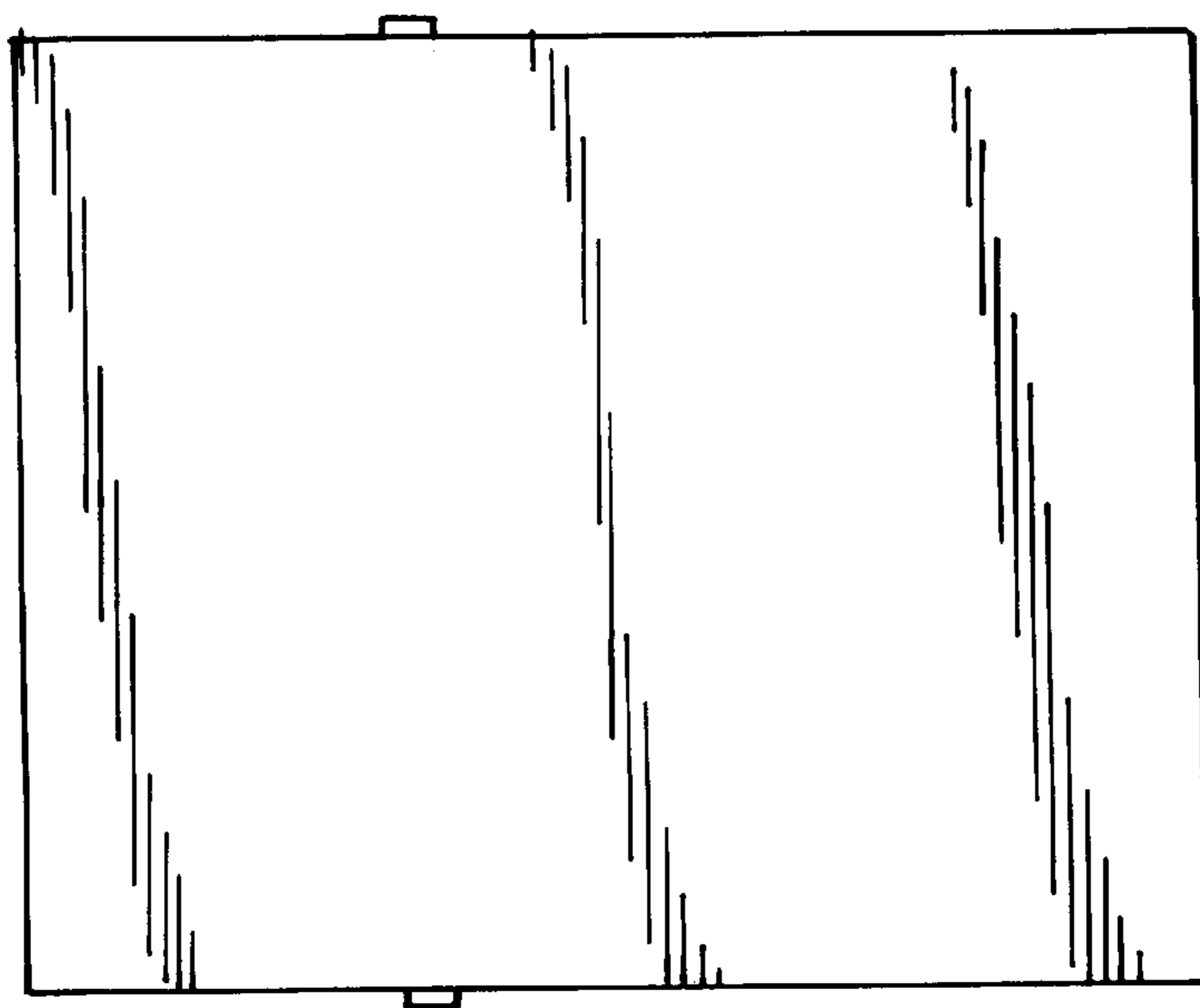


FIG. 3

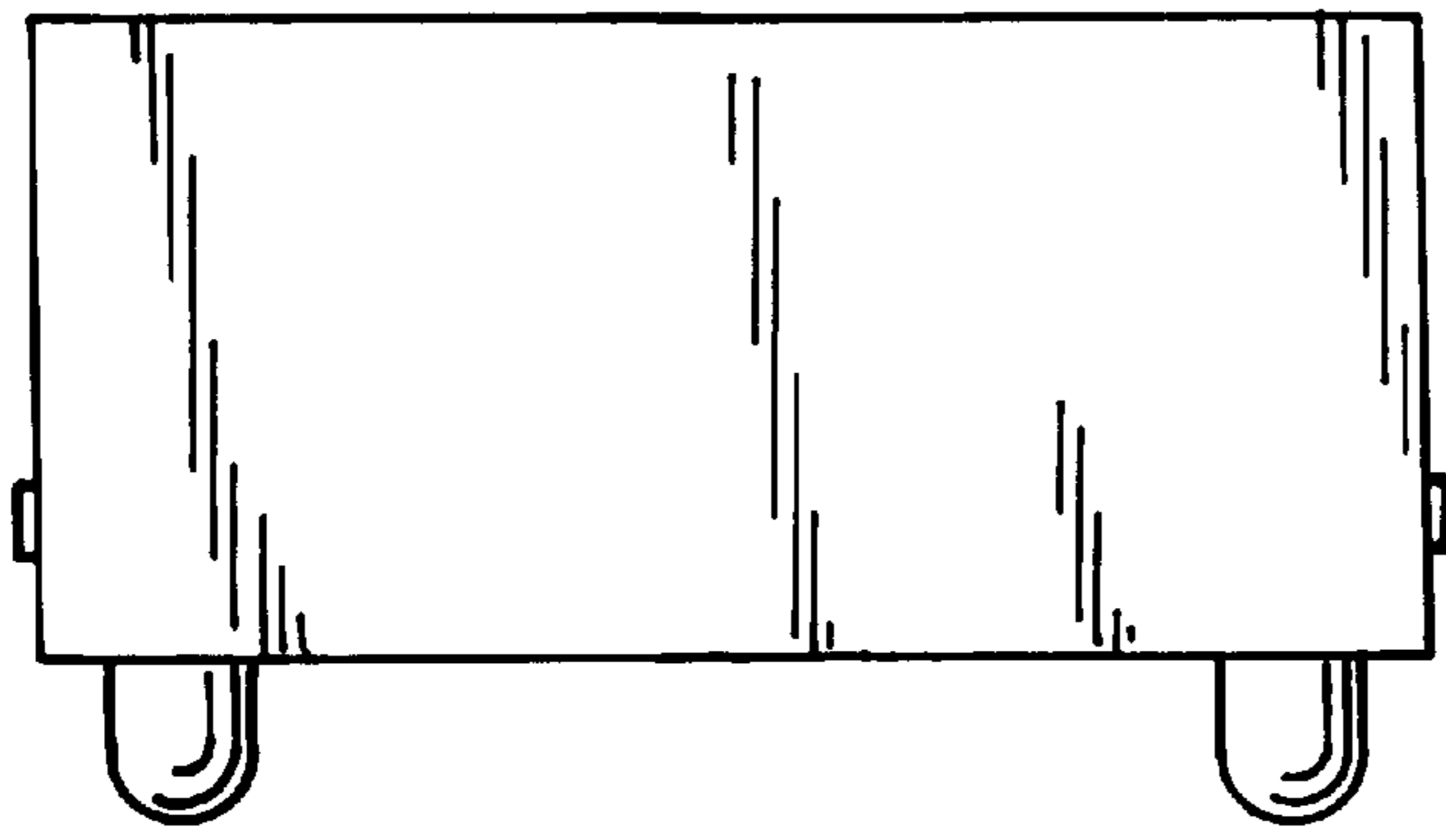


FIG. 4

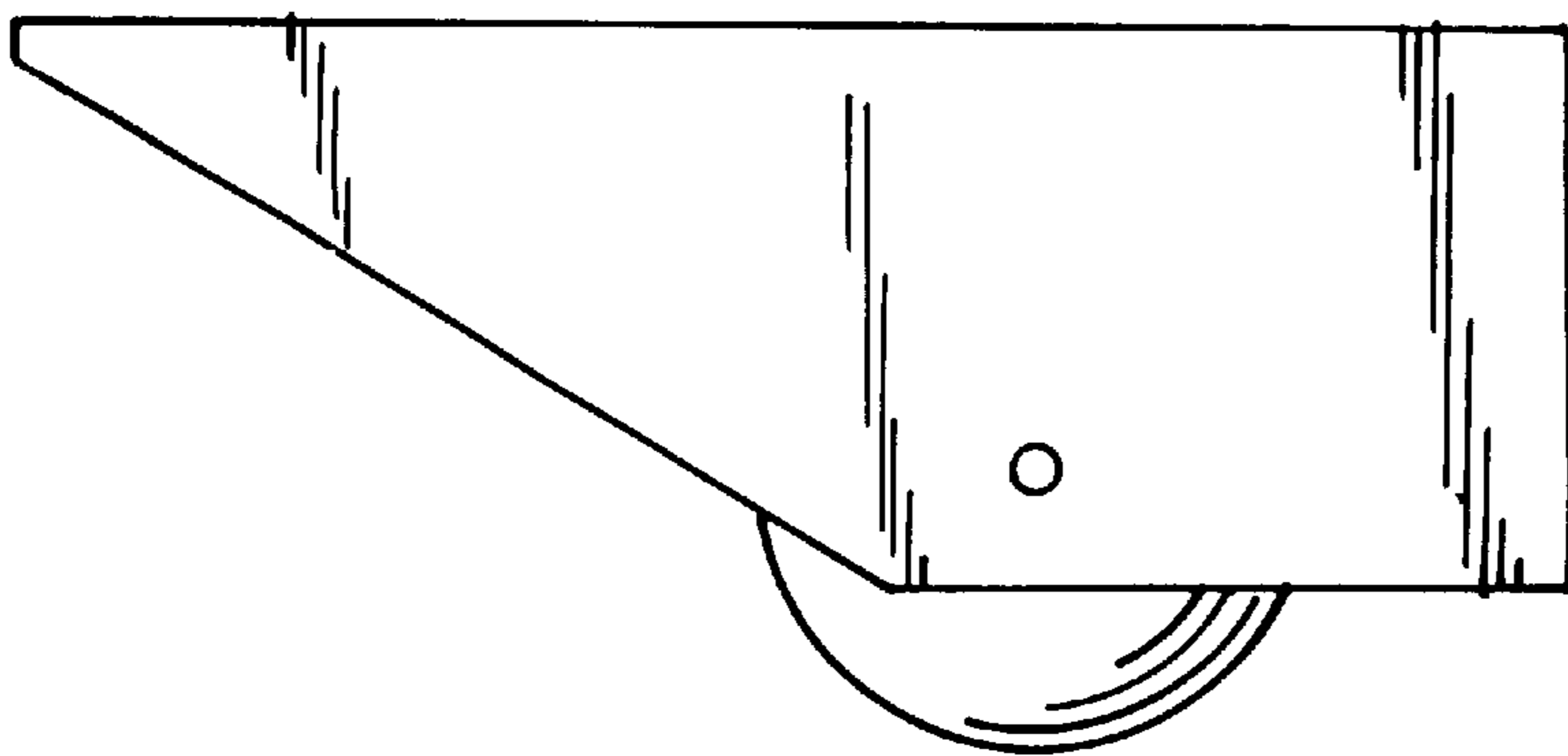


FIG. 5

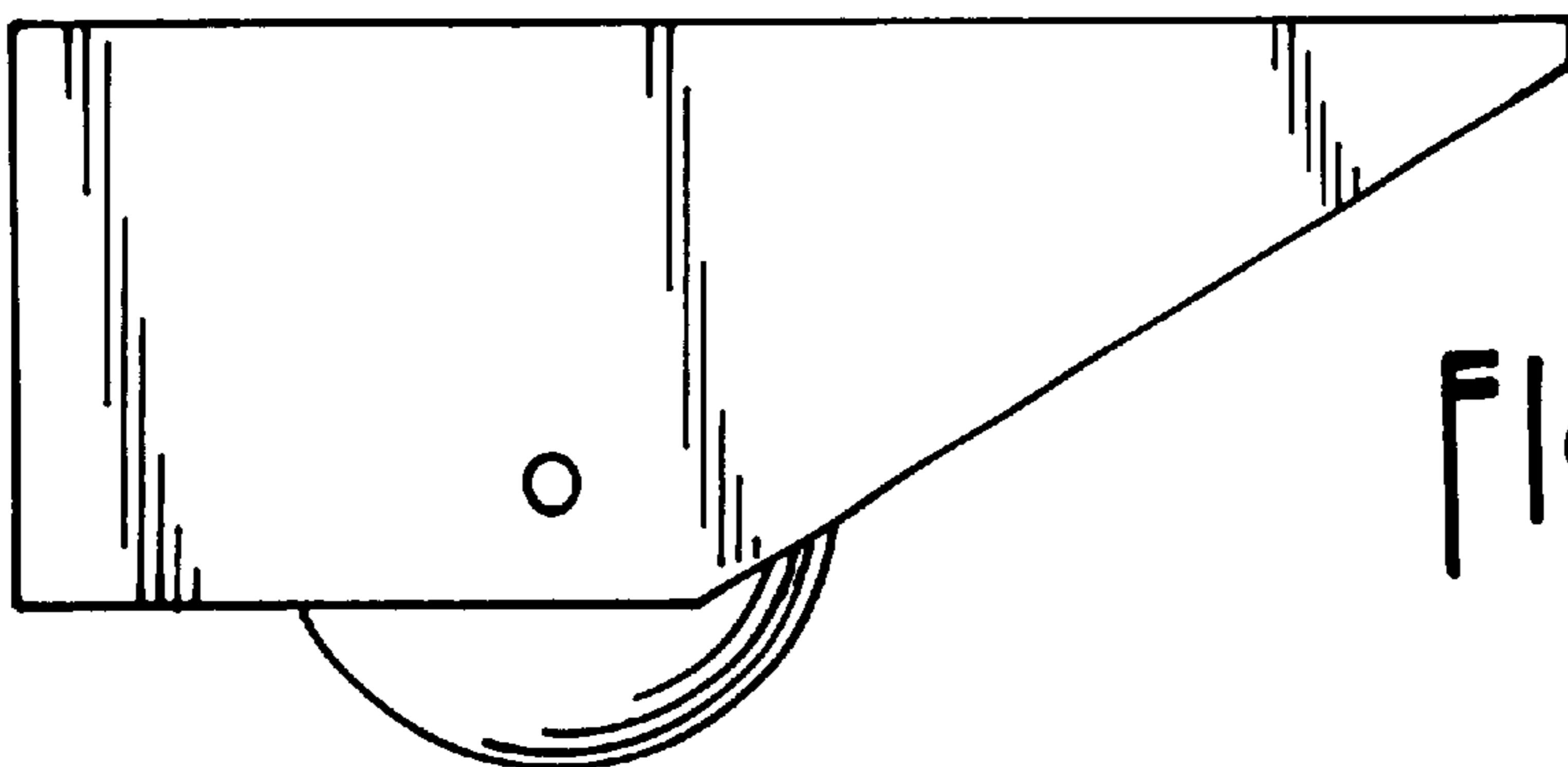


FIG. 6



FIG. 7

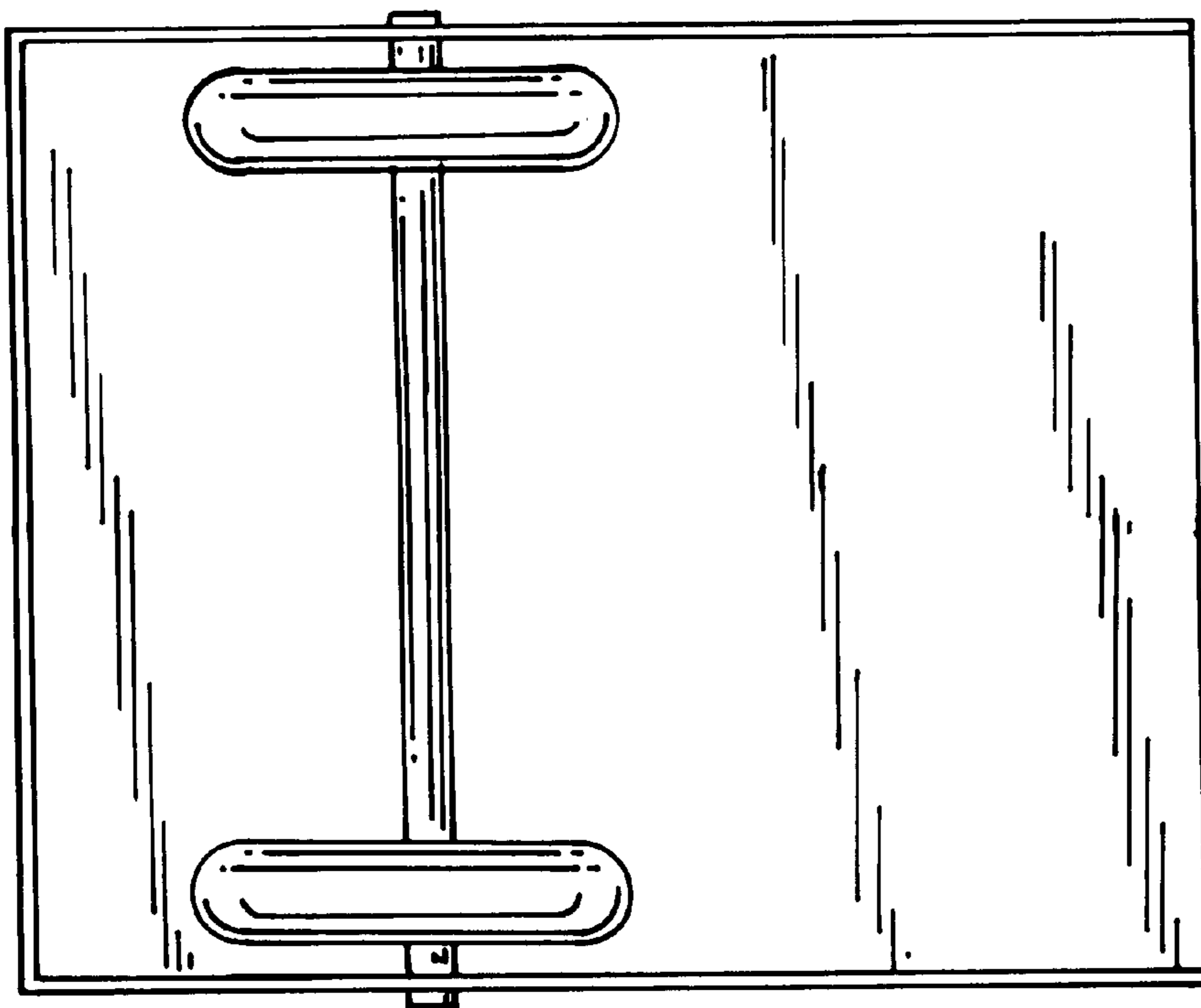


FIG. 8