



US00D471287S

(12) **United States Design Patent**
Sommerville et al.

(10) **Patent No.:** **US D471,287 S**

(45) **Date of Patent:** **** Mar. 4, 2003**

(54) **PORTABLE WORK BENCH**

(75) Inventors: **Thomas R. Sommerville**, Port Perry (CA); **Robert P. Welsh**, Hunt Valley, MD (US)

(73) Assignee: **Black & Decker Inc.**, Newark, DE (US)

(**) Term: **14 Years**

(21) Appl. No.: **29/146,003**

(22) Filed: **Aug. 1, 2001**

(51) **LOC (7) Cl.** **25-04**

(52) **U.S. Cl.** **D25/67**

(58) **Field of Search** D25/67; 182/181.1, 182/186.5, 224, 179.1

(56) **References Cited**

U.S. PATENT DOCUMENTS

5,101,932 A * 4/1992 Trudgeon 182/224
D379,236 S * 5/1997 Sheftel D25/67

* cited by examiner

Primary Examiner—Doris Clark

(74) *Attorney, Agent, or Firm*—Adan Ayala

(57) **CLAIM**

The ornamental design for a portable work bench, as shown and described.

DESCRIPTION

FIG. 1 is a front perspective view of an embodiment of a portable work bench showing our new design, with support arms in retracted position.

FIG. 2 is a left side elevational view.

FIG. 3 is a right side elevational view.

FIG. 4 is a front elevational view.

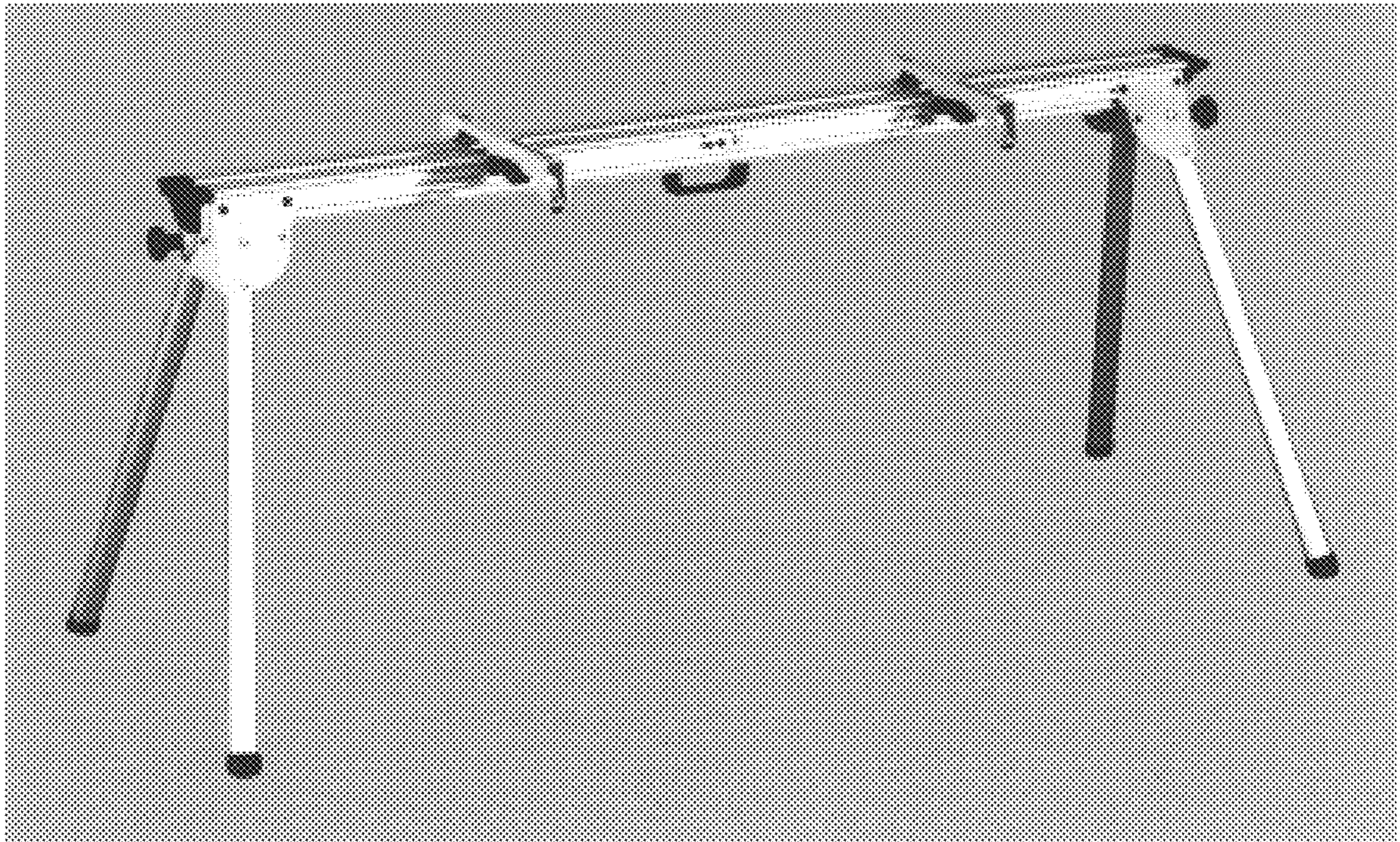
FIG. 5 is a rear elevational view.

FIG. 6 is a top plan view;

FIG. 7 is a bottom plan view; and,

FIG. 8 is a front perspective view with the support arms in extended position.

1 Claim, 4 Drawing Sheets



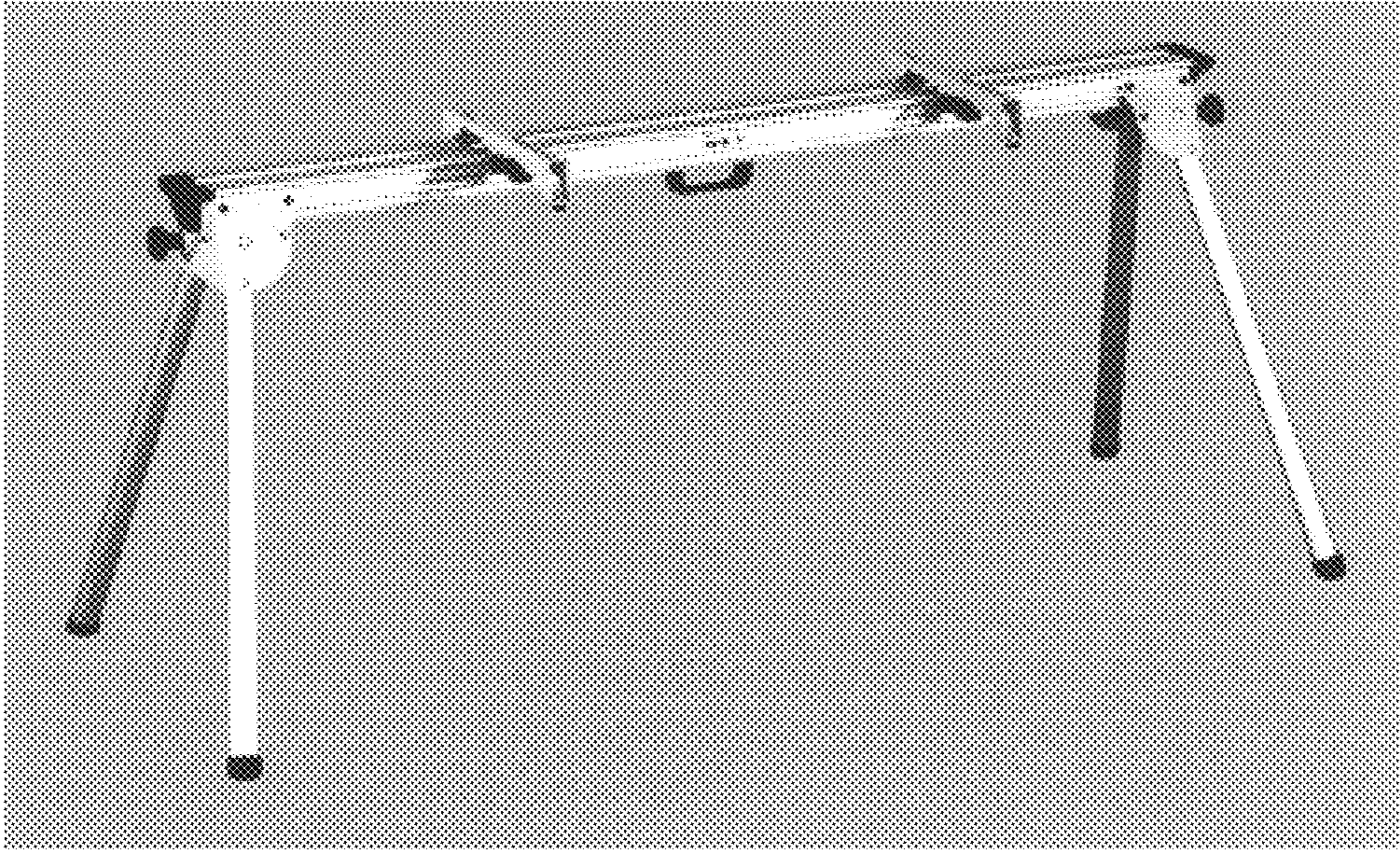


FIG. 1

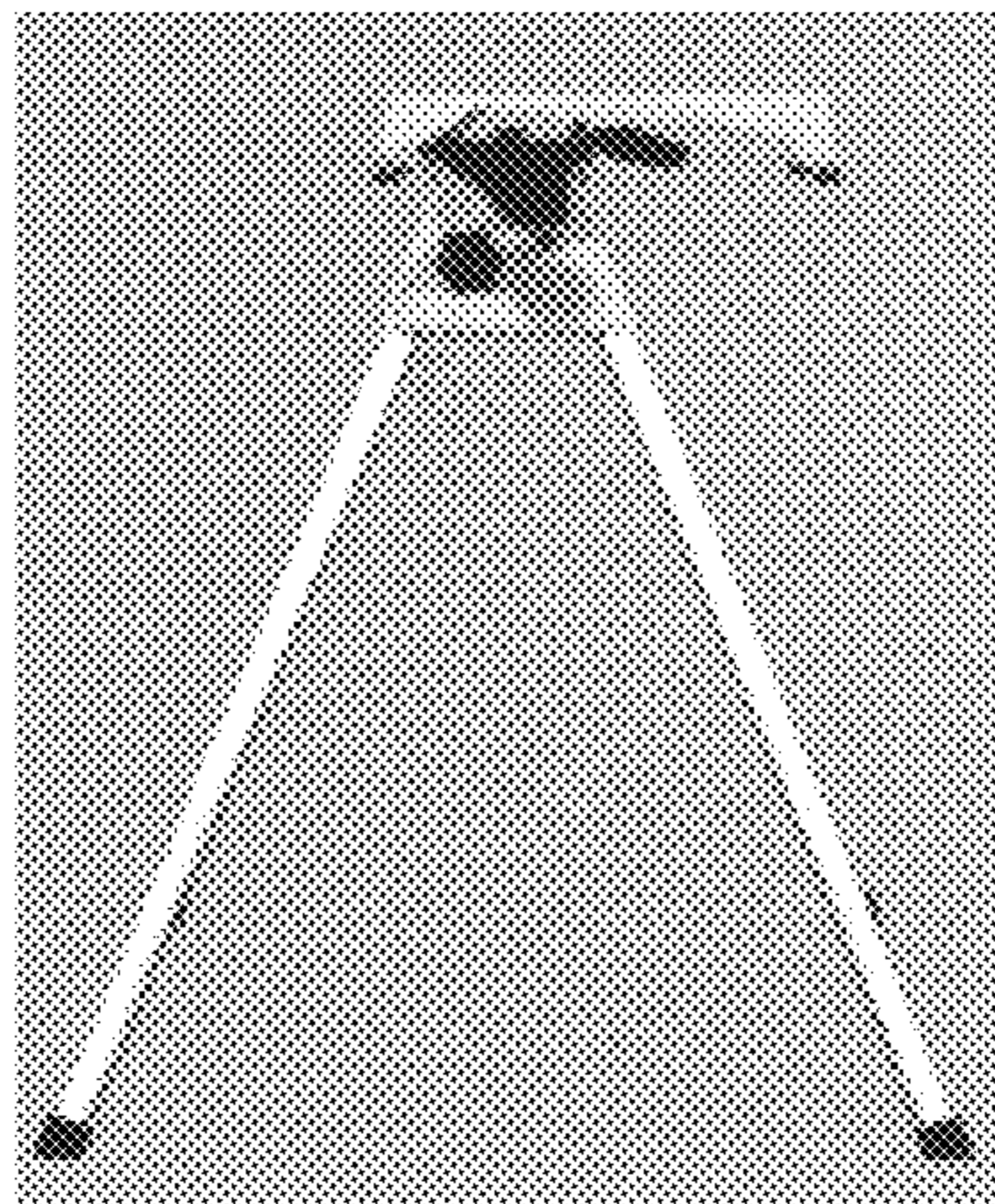


FIG. 2

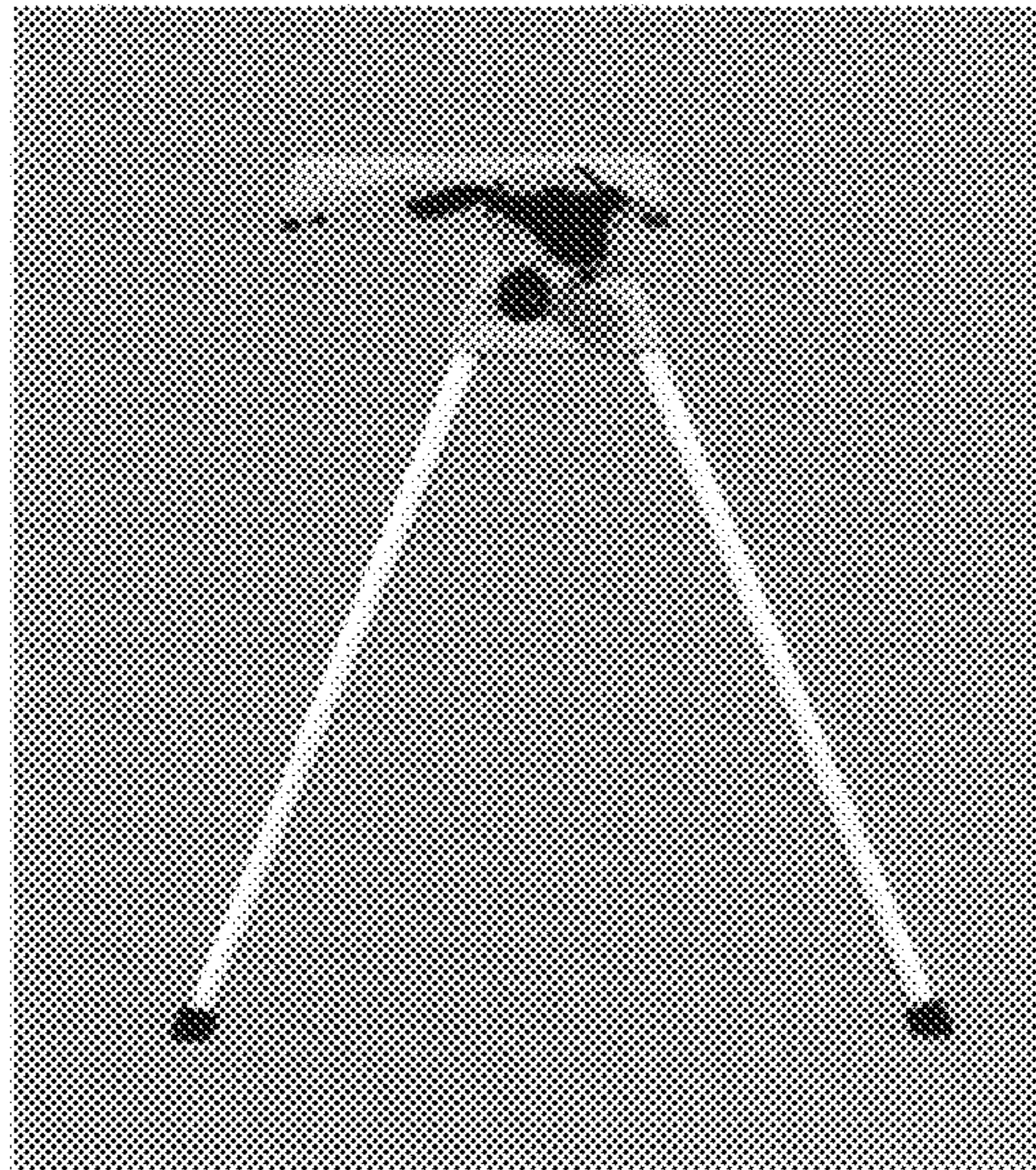


FIG. 3

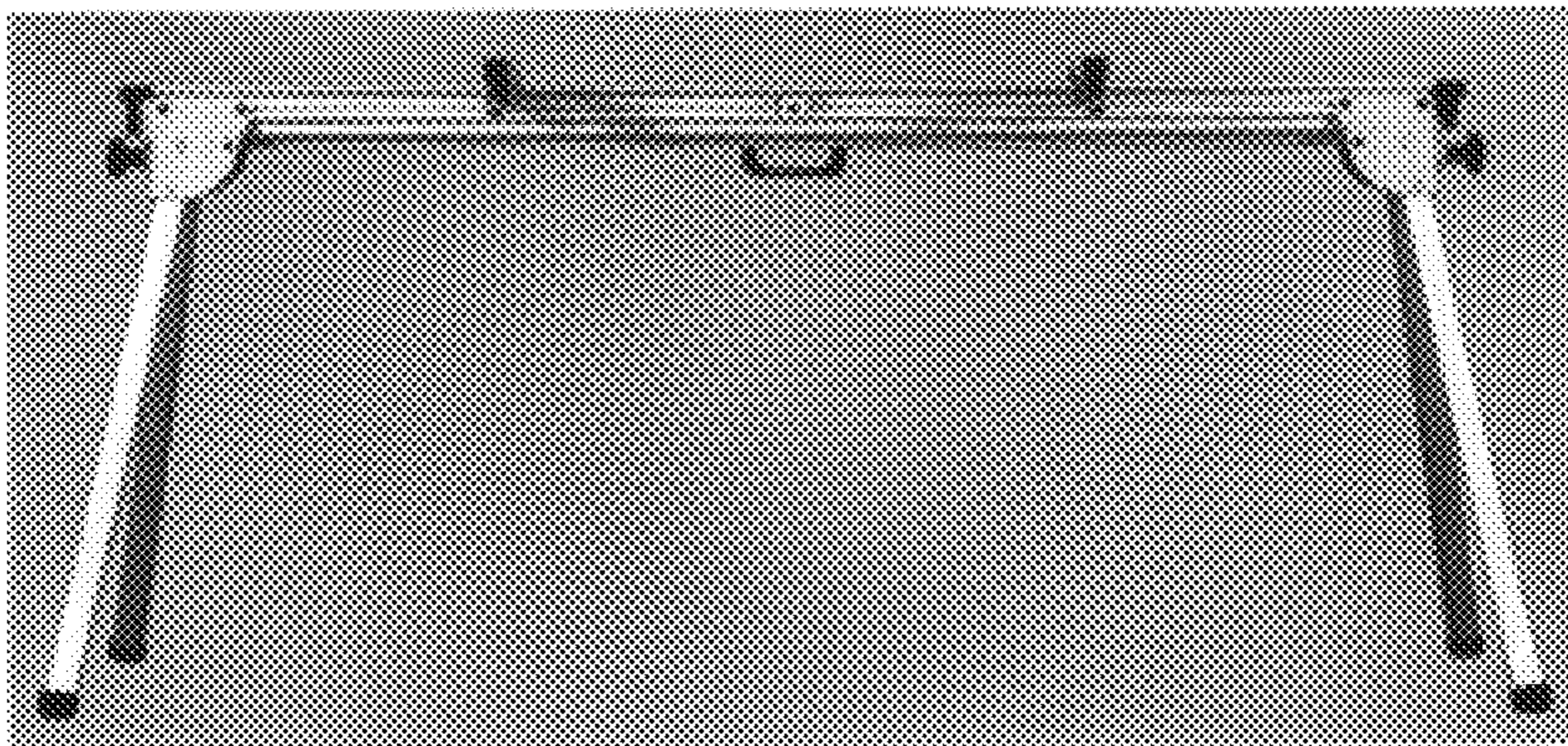


FIG. 4

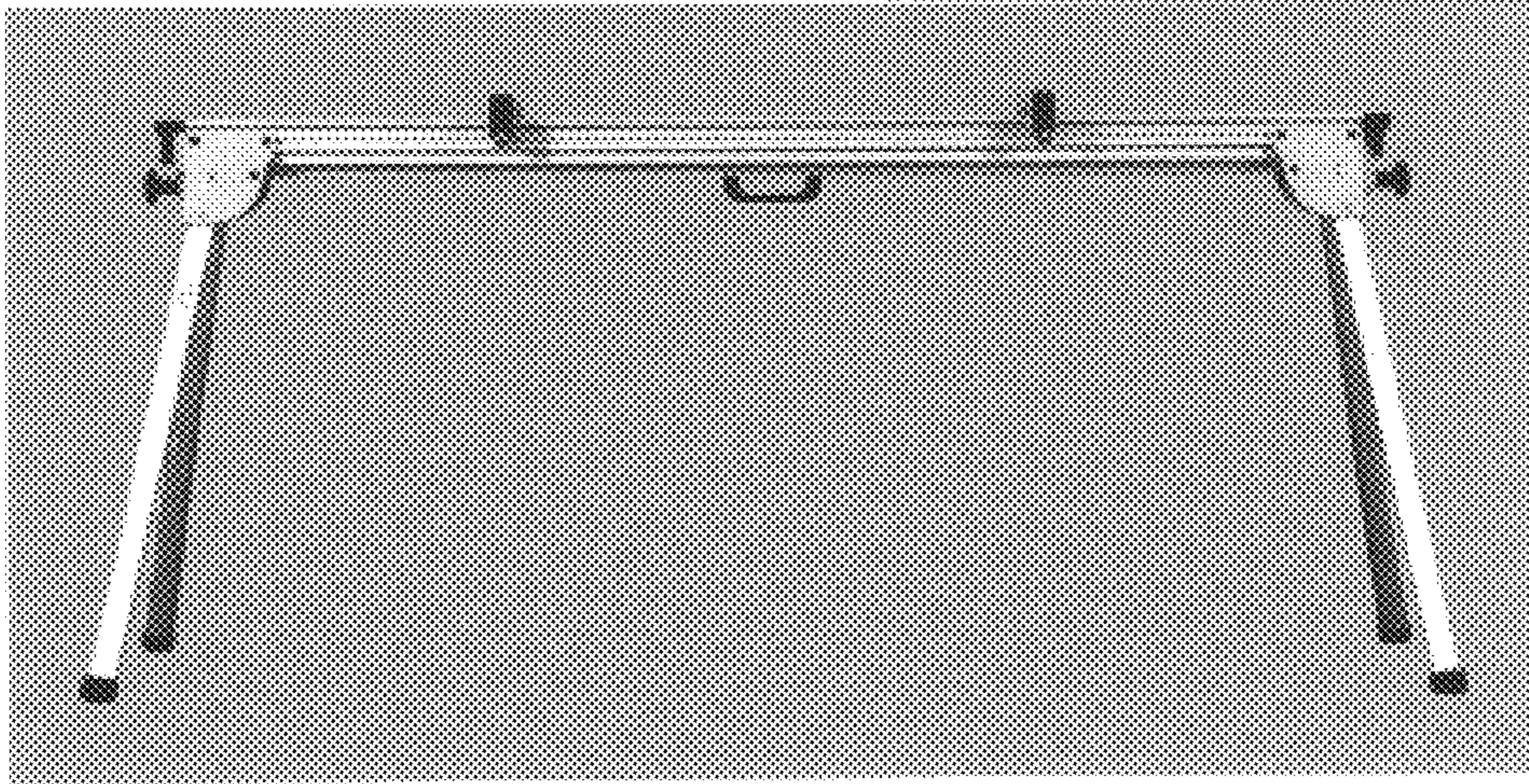


FIG. 5

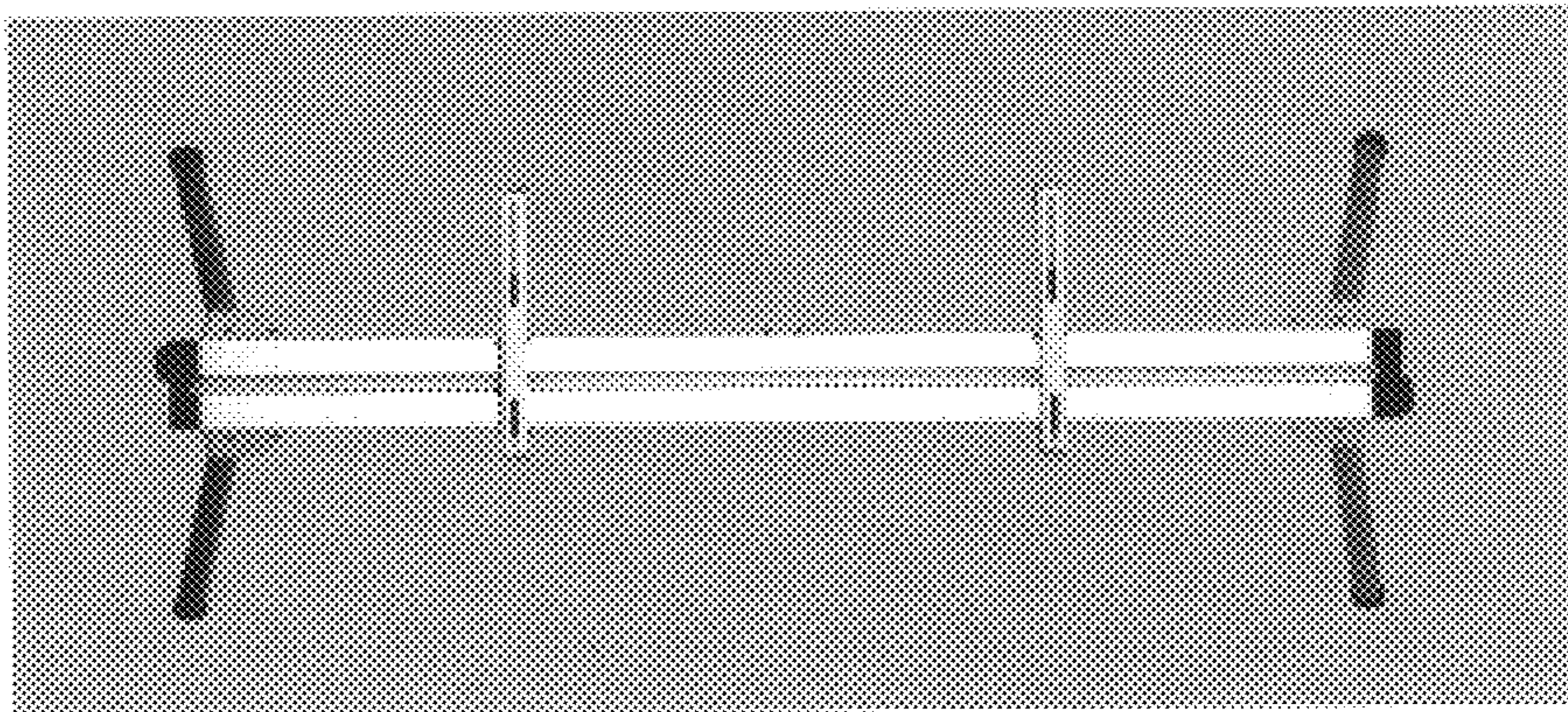


FIG. 6

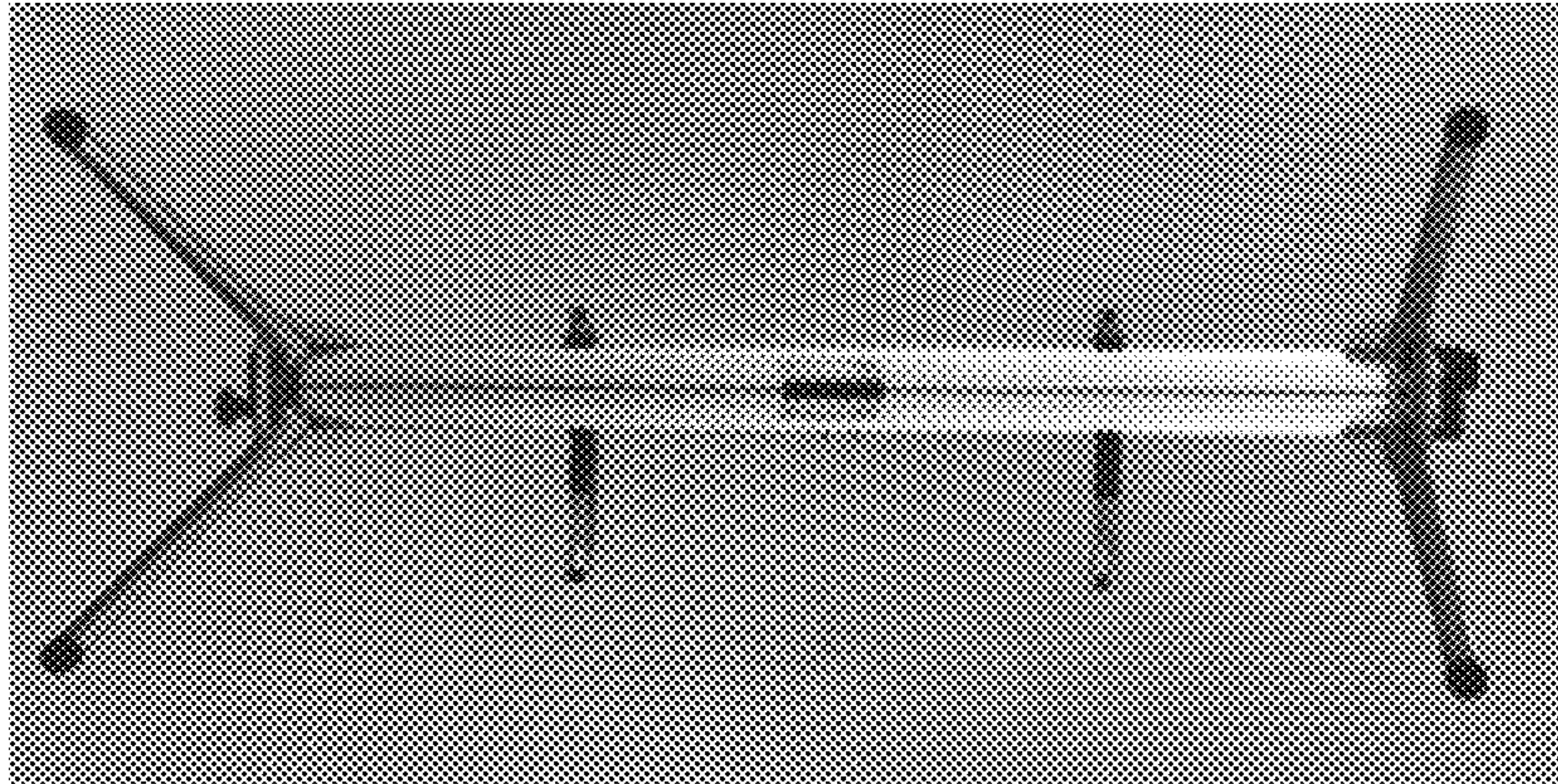


FIG. 7

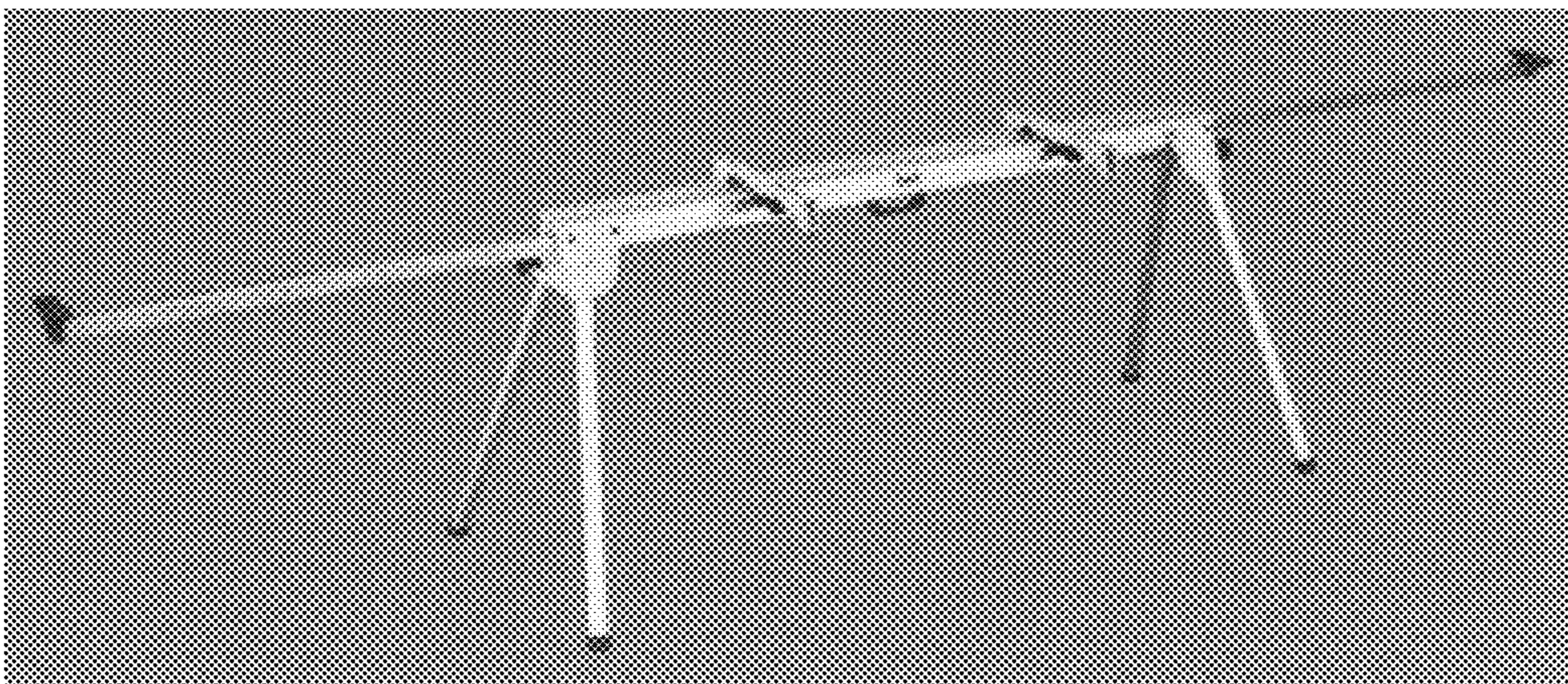


FIG. 8