



US00D471284S

(12) **United States Design Patent**
Heath

(10) **Patent No.:** **US D471,284 S**

(45) **Date of Patent:** **** Mar. 4, 2003**

(54) **FENCE RAIL CAP**

U. S. Trademark Ser. No. 76/279,558, design only, filed on Jul. 3, 2001, by Kroy Building Products, Inc.

(76) Inventor: **Randall D. Heath**, 3300 Pinson Valley Pkwy., Pinson, AL (US) 35217

* cited by examiner

(**) Term: **14 Years**

Primary Examiner—Doris Clark
(74) *Attorney, Agent, or Firm*—Smith, Gambrell & Russell, LLP

(21) Appl. No.: **29/157,155**

(22) Filed: **Mar. 14, 2002**

(51) **LOC (7) Cl.** **25-02**

(52) **U.S. Cl.** **D25/38**

(58) **Field of Search** D25/38; 256/65.15, 256/59, 60

(57) **CLAIM**

I claim the ornamental design for a fence rail cap, as shown and described.

DESCRIPTION

(56) **References Cited**

U.S. PATENT DOCUMENTS

D221,141	S	*	7/1971	Wormser	D25/38
5,772,185	A	*	6/1998	Pulsipher	256/59
5,853,167	A		12/1998	West et al.		
5,988,599	A		11/1999	Forbis		
6,041,486	A		3/2000	Forbis		
6,202,987	B1		3/2001	Forbis		
D446,315	S		8/2001	Forbis		

OTHER PUBLICATIONS

U. S. Trademark Ser. No. 76/068,883, design only, filed on Jun. 12, 2000, by Kroy Building Products, Inc.

FIG. 1 is a perspective view of the design of the of the fence rail cap;

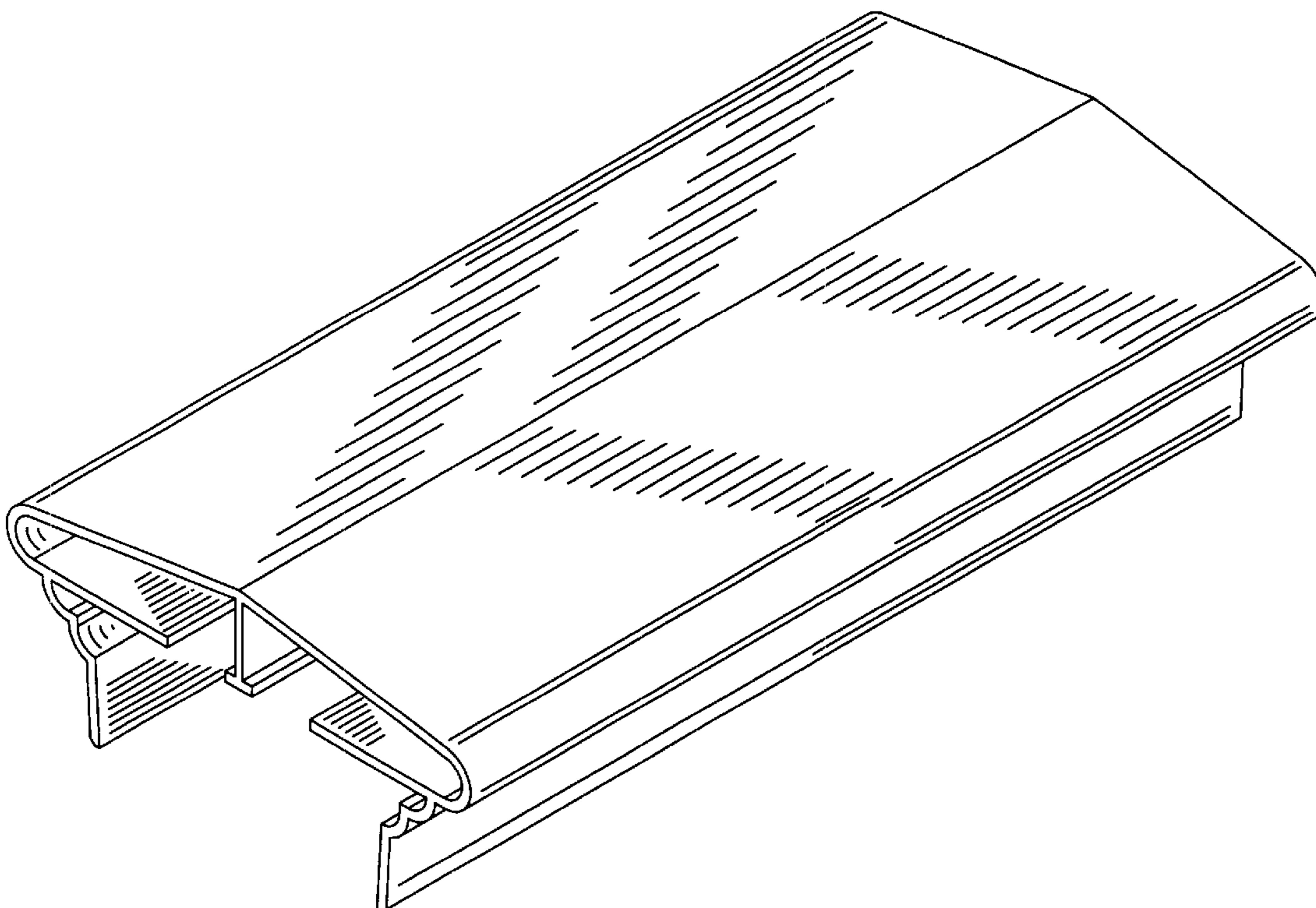
FIG. 2 is a right side view of the fence rail cap, which is a mirror image of the left side view of the fence rail cap;

FIG. 3 is a front sectional view of the fence rail cap, which is a mirror image of the rear sectional view of the fence rail cap;

FIG. 4 is a top plan view of the fence rail cap; and,

FIG. 5 is a bottom view of the fence rail cap.

1 Claim, 5 Drawing Sheets



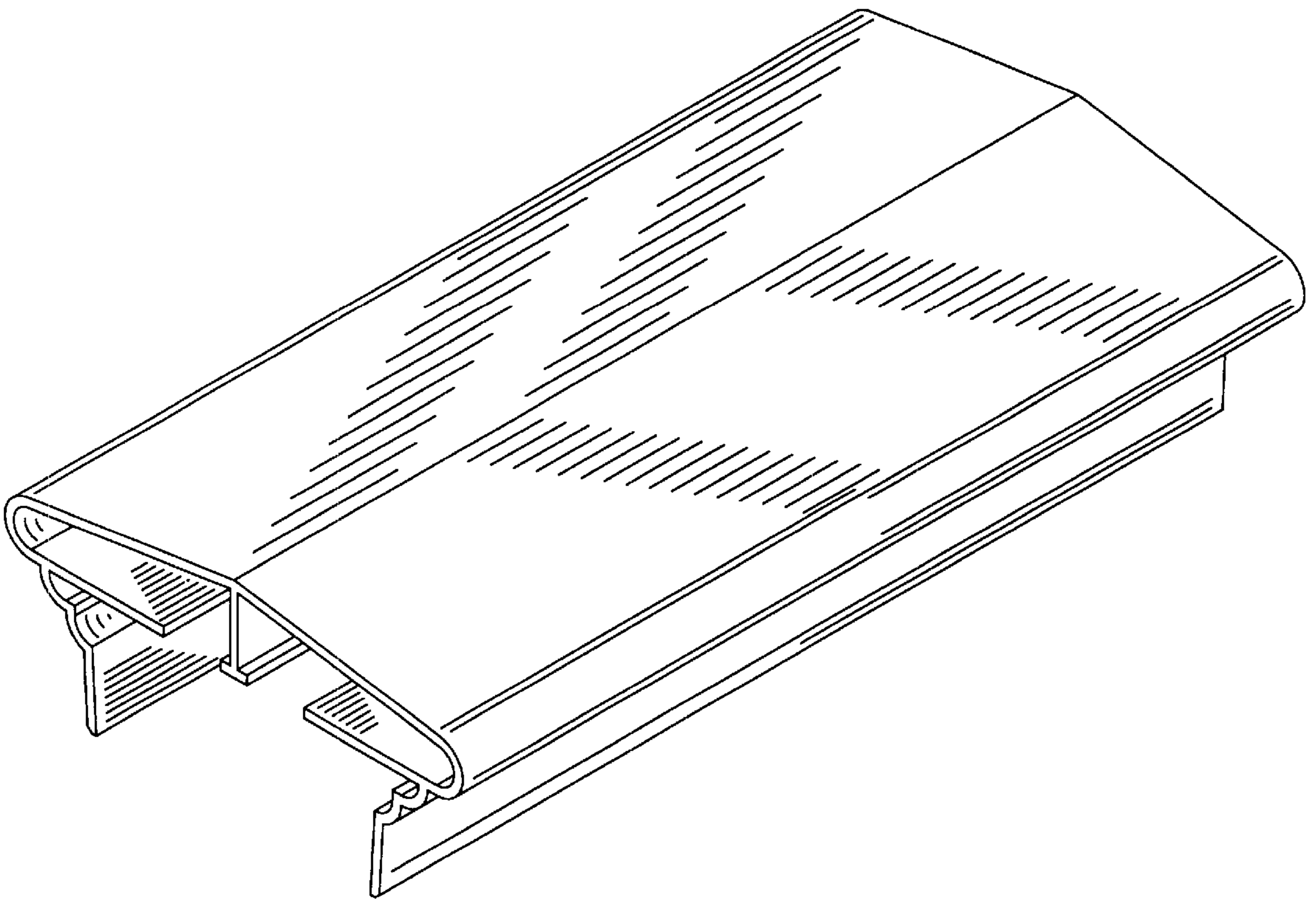


FIG. 1

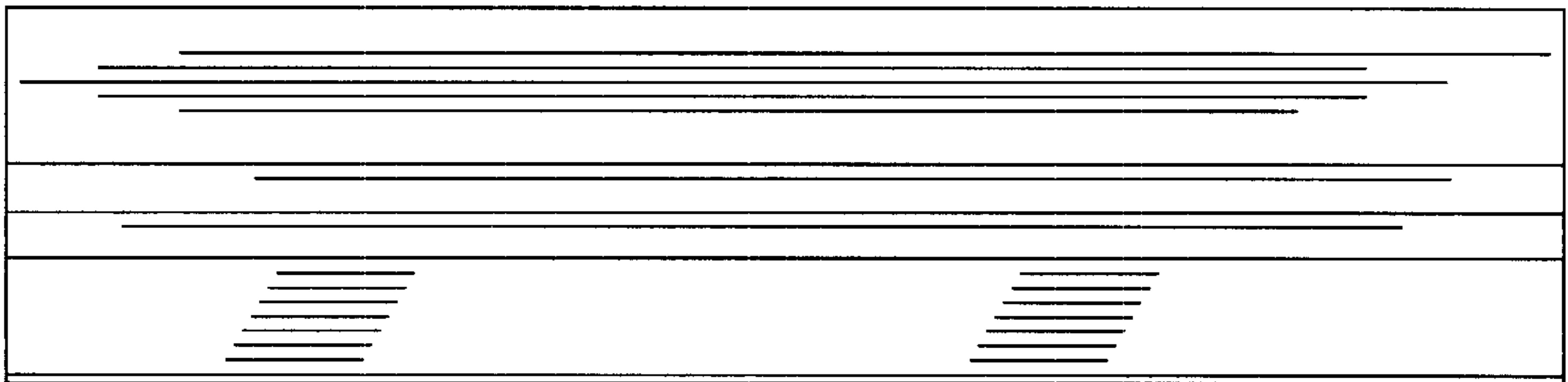


FIG. 2

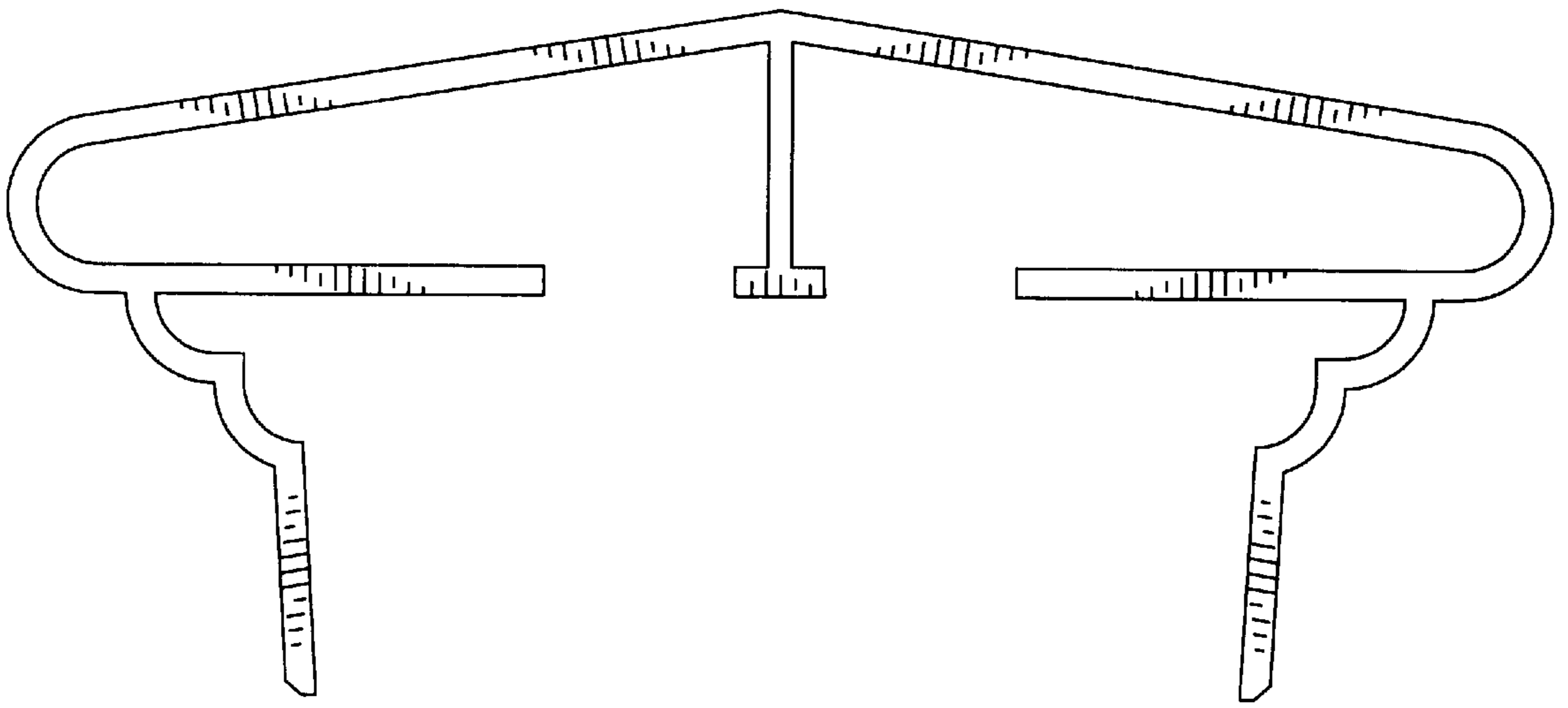


FIG. 3

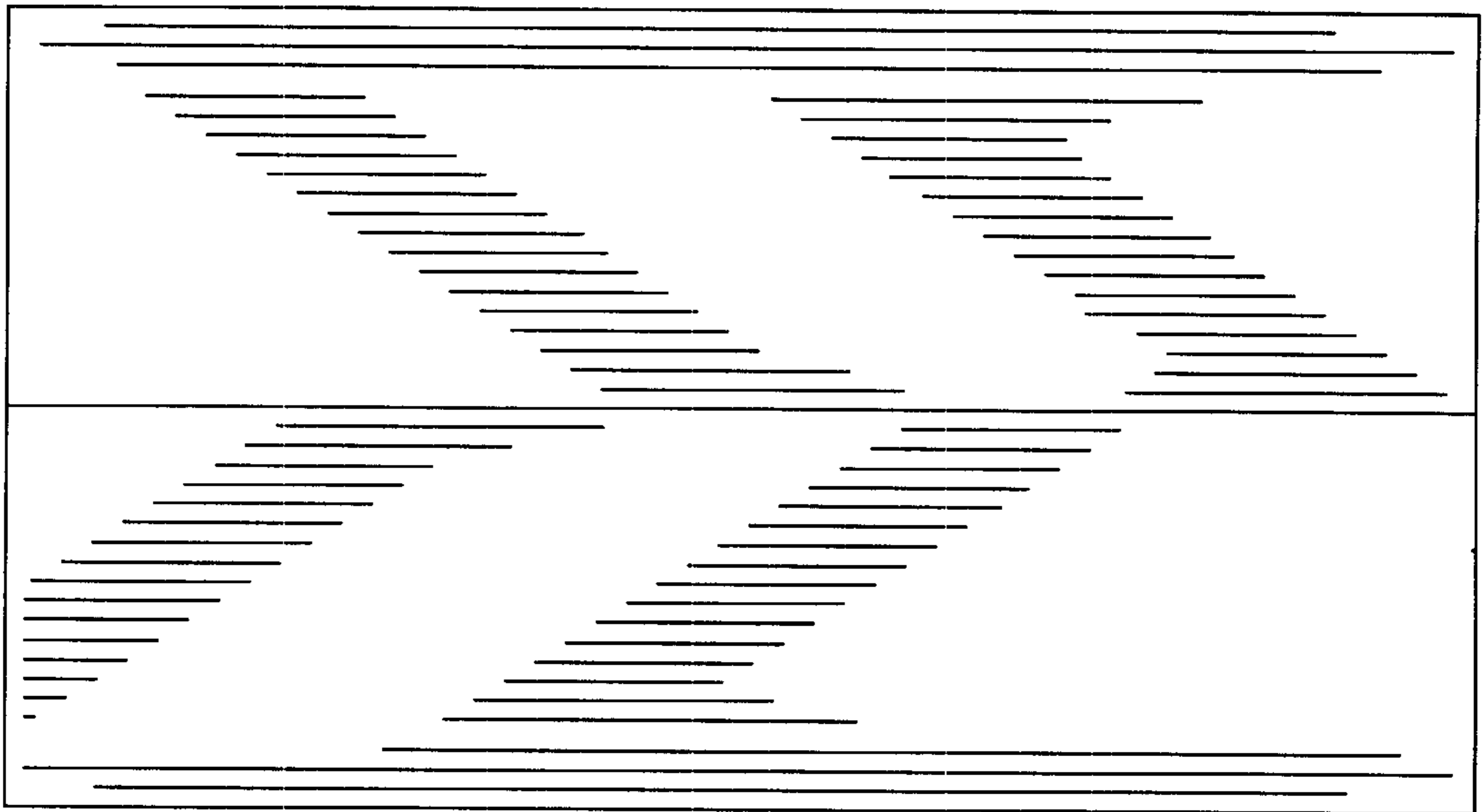


FIG. 4

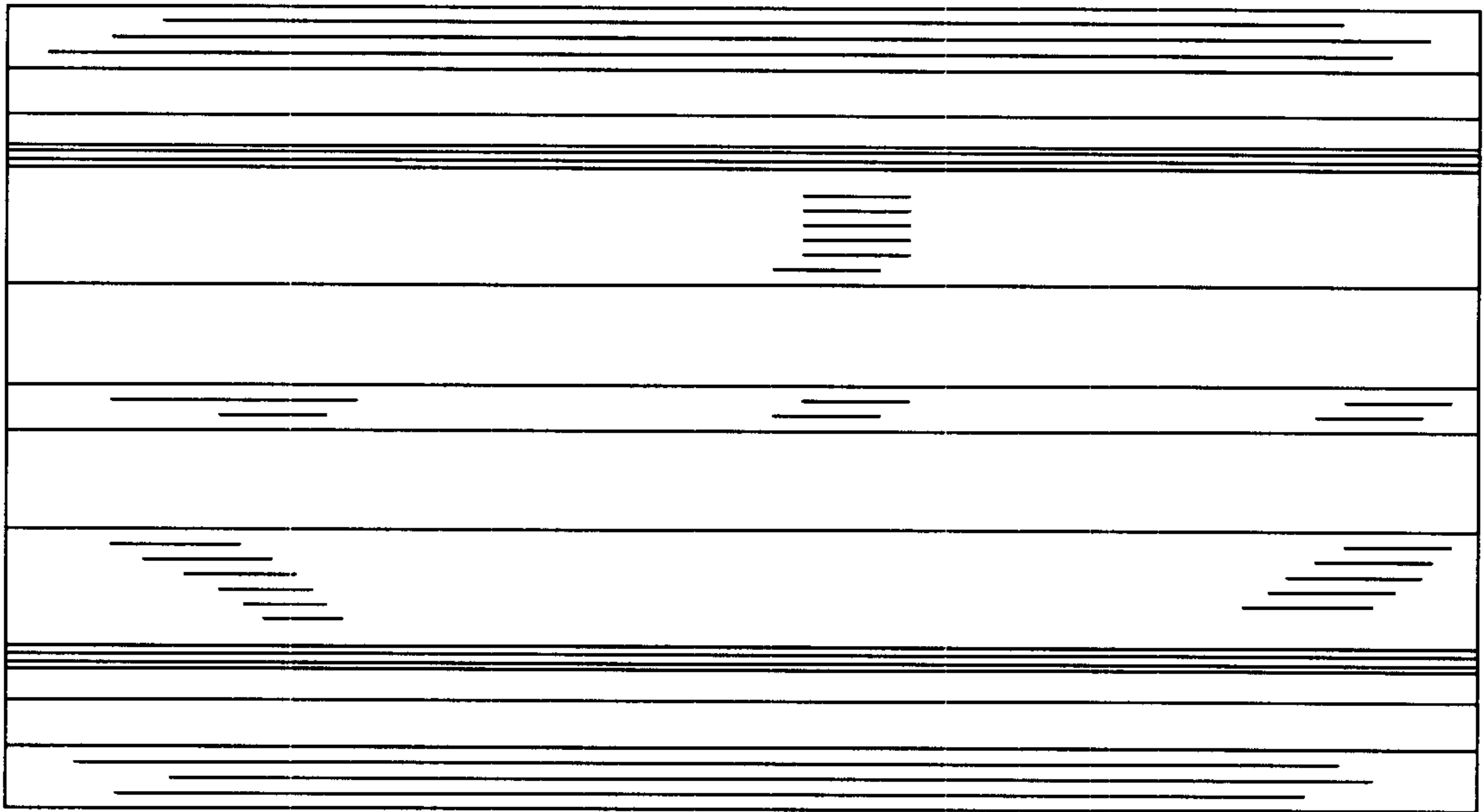


FIG. 5