



US00D471281S

(12) **United States Design Patent**
Baura et al.

(10) **Patent No.:** **US D471,281 S**

(45) **Date of Patent:** **** Mar. 4, 2003**

(54) **ELECTRODE FOR USE ON A LIVING SUBJECT**

(75) Inventors: **Gail D. Baura**, San Diego, CA (US);
Kevin Brian Wagner, Chula Vista, CA (US);
Paul Ronald Jansen, San Diego, CA (US);
Richard Eugene Trayler, Scottsdale, AZ (US)

(73) Assignee: **CardioDynamics International Corporation**, San Diego, CA (US)

(**) Term: **14 Years**

(21) Appl. No.: **29/151,208**

(22) Filed: **Oct. 31, 2001**

Related U.S. Application Data

(63) Continuation of application No. 09/613,183, filed on Jul. 10, 2000.

(51) **LOC (7) Cl.** **24-01**

(52) **U.S. Cl.** **D24/187**

(58) **Field of Search** D24/187; 600/382, 600/383, 384, 391, 392, 393, 372; 607/152, 153, 148, 149

(56) **References Cited**

U.S. PATENT DOCUMENTS

RE30,101 E	9/1979	Kubicek et al.	
4,617,935 A	* 10/1986	Cartmell et al.	128/641
4,777,954 A	* 10/1988	Keusch et al.	128/640
4,945,911 A	* 8/1990	Cohen et al.	128/640
5,184,620 A	2/1993	Cudahy et al.	
5,402,780 A	* 4/1995	Faasse, Jr.	128/641
5,427,096 A	* 6/1995	Bogusiewicz et al.	128/639

5,511,548 A	*	4/1996	Riazzi et al.	128/641
5,895,298 A		4/1999	Faupel et al.	
D429,337 S	*	8/2000	Sanfilippo	D24/187
6,141,575 A		10/2000	Price	

OTHER PUBLICATIONS

ConMed Corporation Positrace ECG Electrode (Exhibit "A" consisting of five pages), Jun. 1998.

Wantagh, Incorporated, "Noninvasive Continuous Hemodynamic Patient Monitoring System—Operator's Manual," (picture of two electrodes), p. 37 only (date unknown).

Lead-Lok, Inc., (Aug. 8, 1998), Final Production Specifications consisting of two (2) pages.

* cited by examiner

Primary Examiner—Stella Reid

(74) *Attorney, Agent, or Firm*—Gazdzinski & Associates

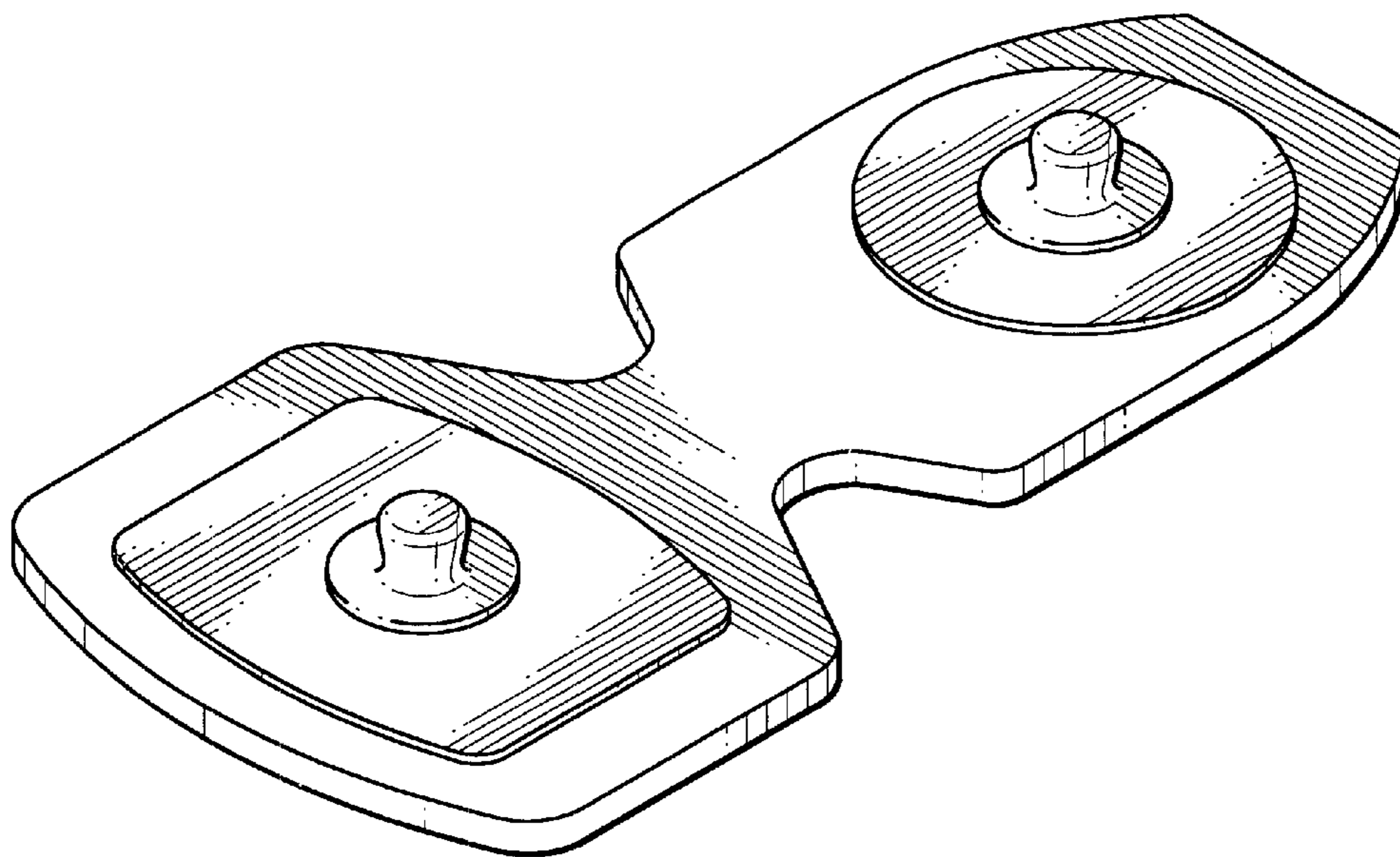
(57) **CLAIM**

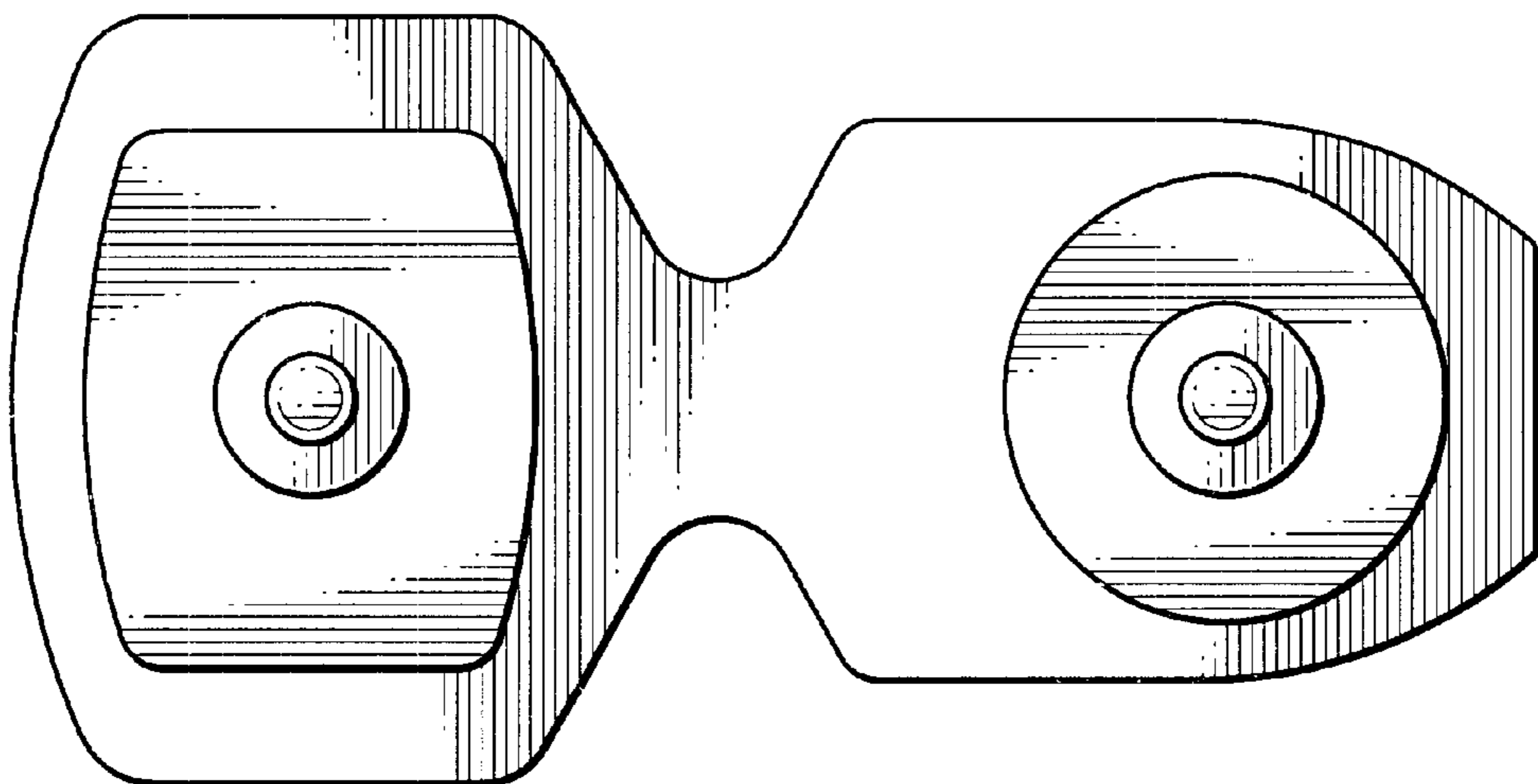
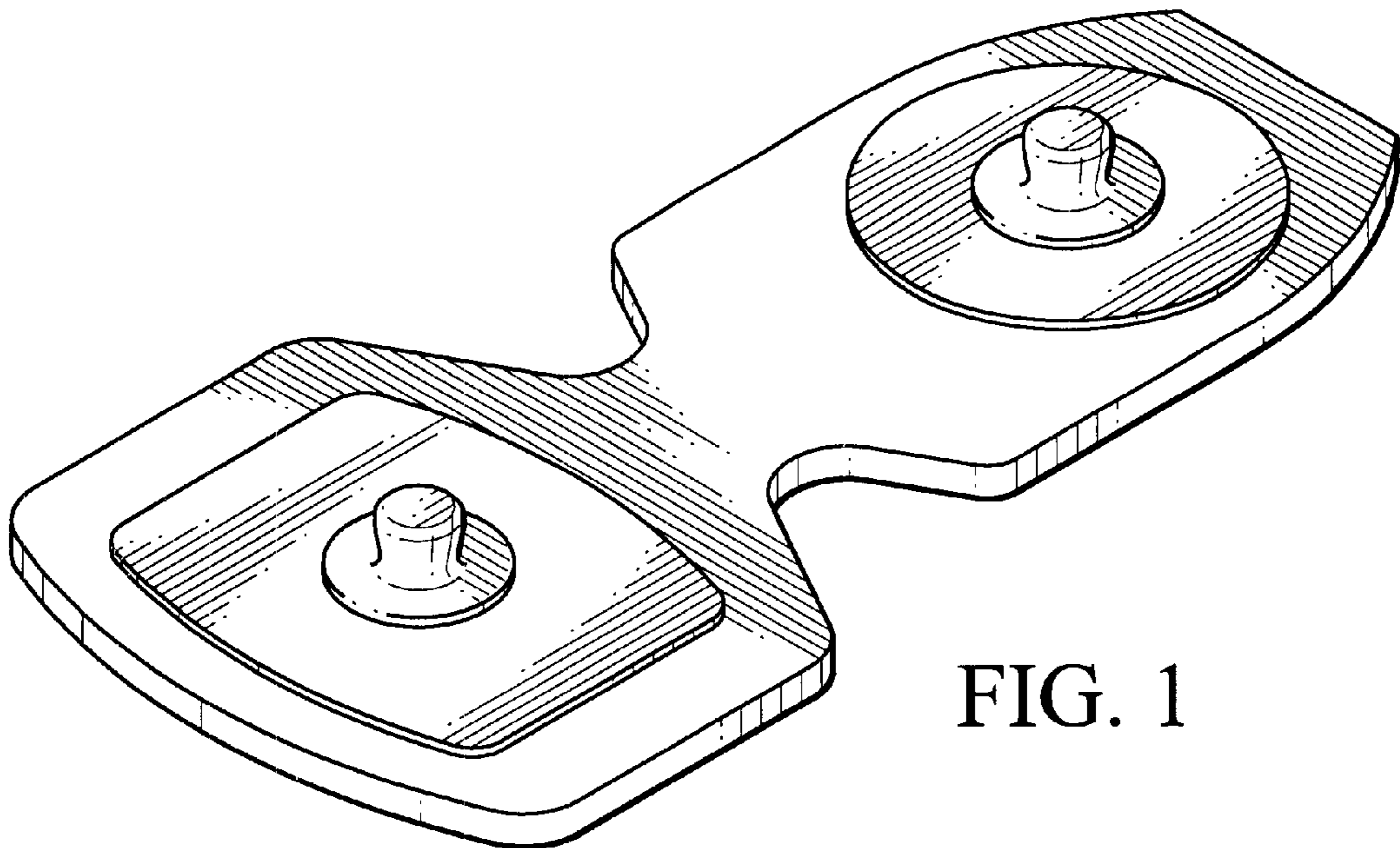
The ornamental design for an electrode for use on a living subject, as shown and described.

DESCRIPTION

FIG. 1 is a top perspective view of an electrode for use on a living subject showing our new design; FIG. 2 is a top plan view of the electrode of FIG. 1; FIG. 3 is a bottom plan view thereof; FIG. 4 is a side view thereof; FIG. 5 is a front view thereof; FIG. 6 is a rear view thereof; and, FIG. 7 is a top perspective view of the electrode of FIG. 1 mounted on a protective electrode carrier which is being shown in broken lines for illustrative purposes only and forming no part of the claimed design.

1 Claim, 3 Drawing Sheets





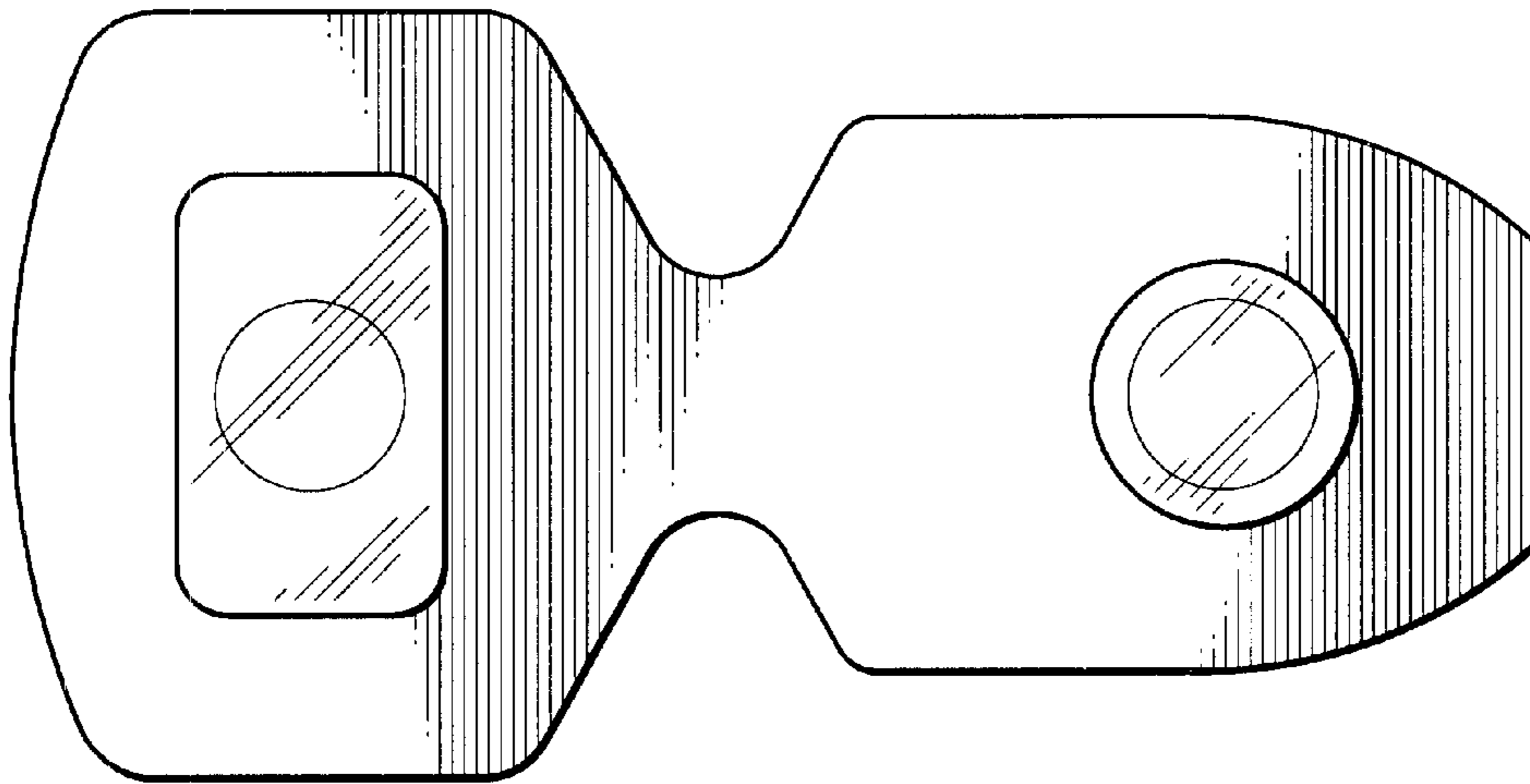


FIG. 3

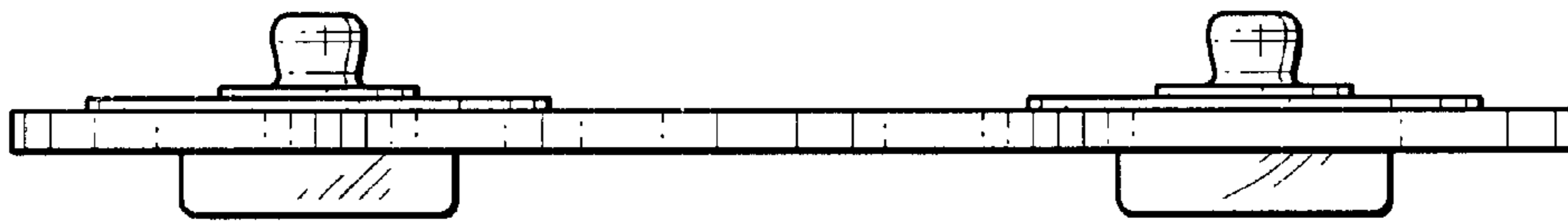


FIG. 4

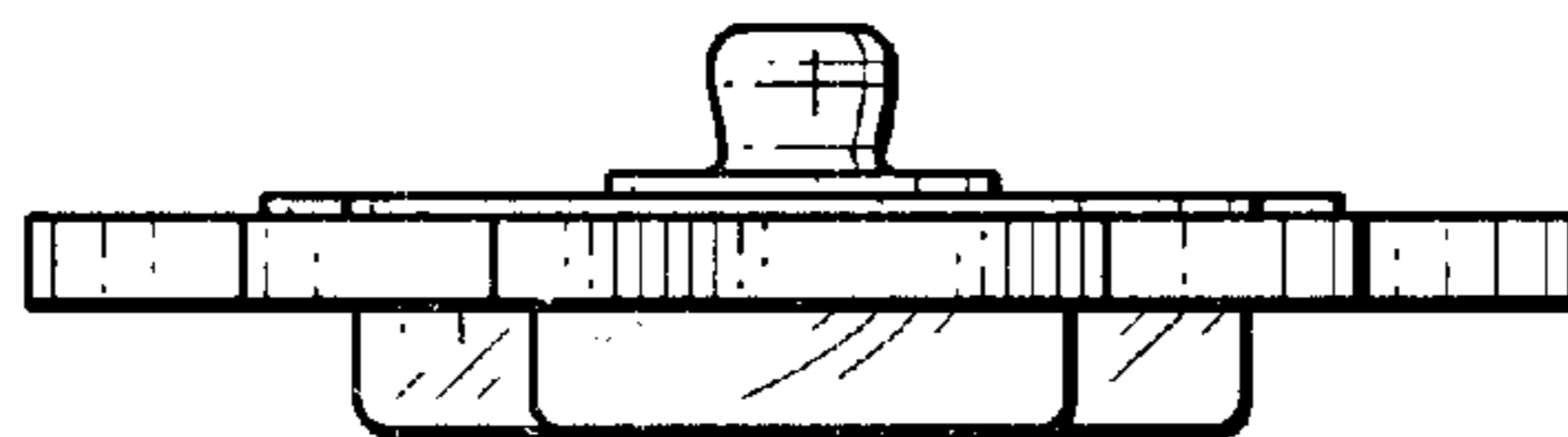


FIG. 5

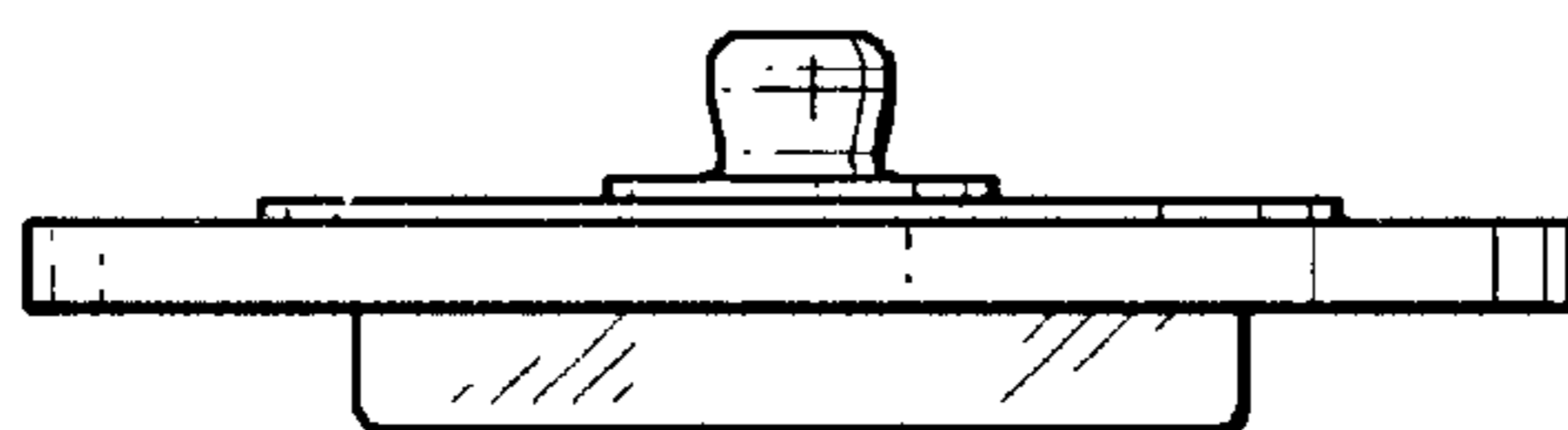


FIG. 6

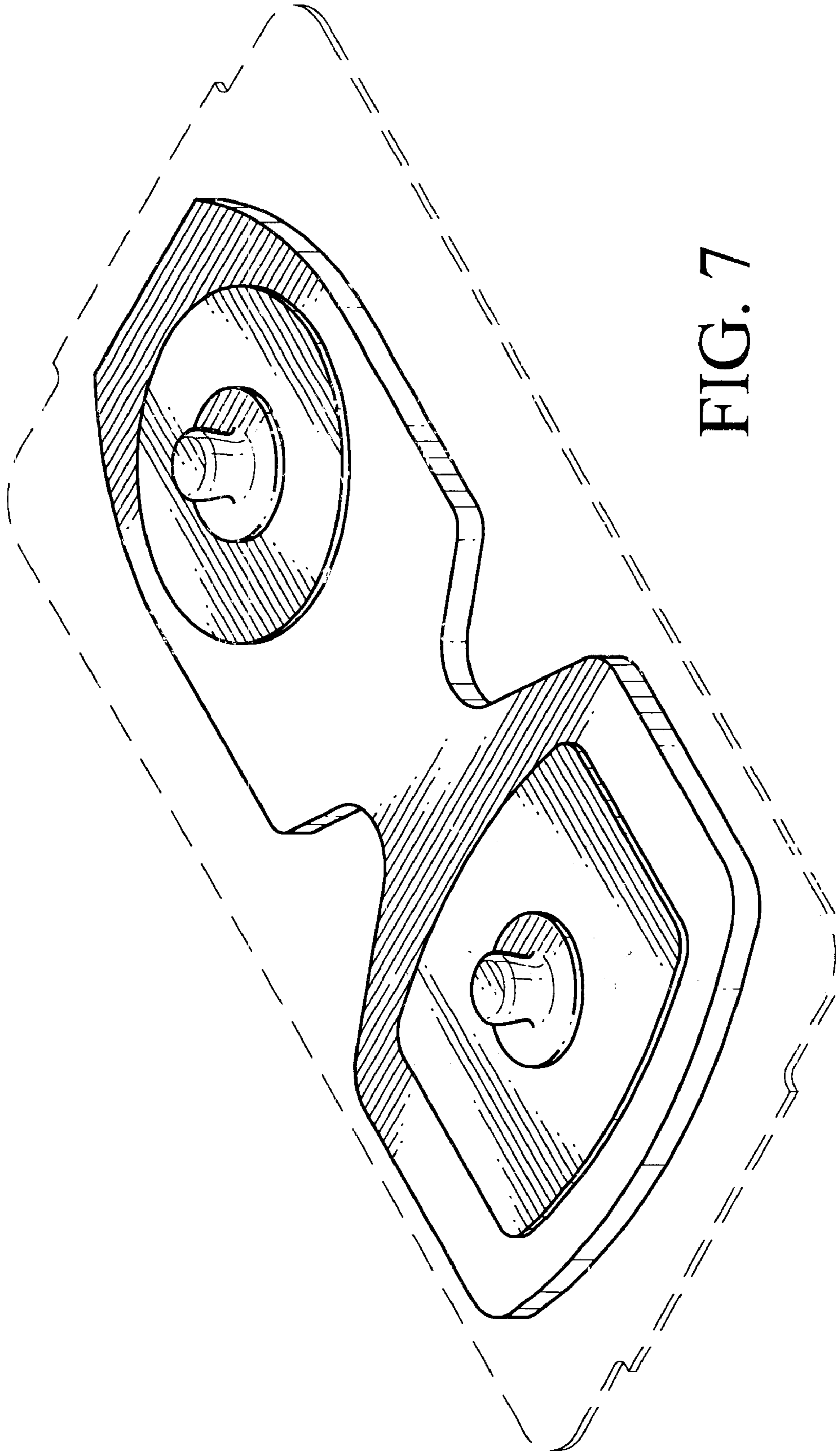


FIG. 7