



US00D471276S

(12) **United States Design Patent**
Potti

(10) **Patent No.:** **US D471,276 S**

(45) **Date of Patent:** **** Mar. 4, 2003**

(54) **TONGUE AND TOOTH CLEANING DEVICE**

(76) Inventor: **Dasan Potti**, 27104 Patriot Dr.,
Salisbury, MD (US) 21801

(**) Term: **14 Years**

(21) Appl. No.: **29/140,673**

(22) Filed: **Apr. 23, 2001**

(51) **LOC (7) Cl.** **24-02**

(52) **U.S. Cl.** **D24/147**

(58) **Field of Search** D24/147; D28/68,
D28/65, 66, 64.4, 64.3; 606/161; 15/111;
132/323

(56) **References Cited**

U.S. PATENT DOCUMENTS

2,735,436 A	2/1956	Russo	
D221,036 S	6/1971	Potti	
4,041,962 A	8/1977	Johansson et al.	
D276,088 S	10/1984	Fong	
4,790,336 A	12/1988	Kuo	
5,184,719 A *	2/1993	Gordon	132/323
D338,084 S	8/1993	Potti	
5,280,797 A *	1/1994	Fry	132/323
5,438,726 A	8/1995	Leite	
D374,744 S	10/1996	Dolan et al.	
D384,153 S *	9/1997	Potti et al.	D24/147
D392,386 S *	3/1998	Nguyen	D24/147
5,735,298 A	4/1998	Mayne et al.	
5,845,358 A	12/1998	Woloch	
D408,534 S	4/1999	Jansheski	
5,916,228 A *	6/1999	Ripich et al.	606/161
5,975,296 A *	11/1999	Dolan et al.	132/323

6,083,235 A	7/2000	Wagner	
6,171,323 B1	1/2001	Potti et al.	
6,257,252 B1 *	7/2001	Hall	132/323
D447,238 S *	8/2001	Tang	D24/147

* cited by examiner

Primary Examiner—Ian Simmons

(74) *Attorney, Agent, or Firm*—Hodgson Russ LLP

(57) **CLAIM**

The ornamental design for a tongue and tooth cleaning device, as shown and described.

DESCRIPTION

FIG. 1 shows a perspective view of the tongue and tooth cleaning device of the present invention showing the bottom surface thereof.

FIG. 2 shows a perspective view of the tongue and tooth cleaning device of the present invention showing the top surface thereof.

FIG. 3 shows a bottom plan view of the tongue and tooth cleaning device.

FIG. 4 shows top plan view of the tongue and tooth cleaning device.

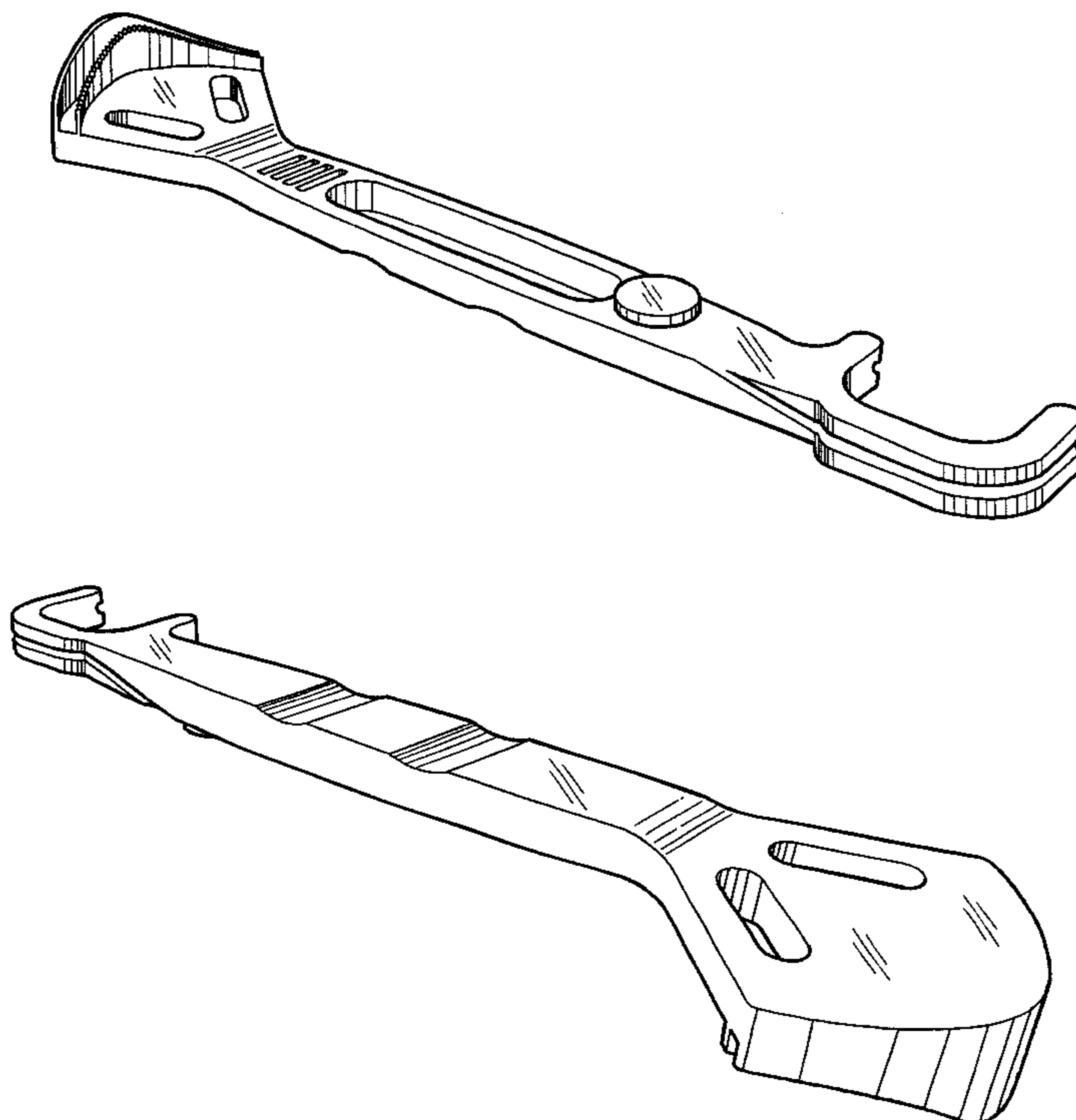
FIG. 5 shows a front side elevational view of the tongue and tooth cleaning device.

FIG. 6 shows a rear side elevational view of the tongue and tooth cleaning device.

FIG. 7 shows a left side elevational view of the tongue and tooth cleaning device; and,

FIG. 8 shows a right side elevational view of the tongue and tooth cleaning device.

1 Claim, 2 Drawing Sheets



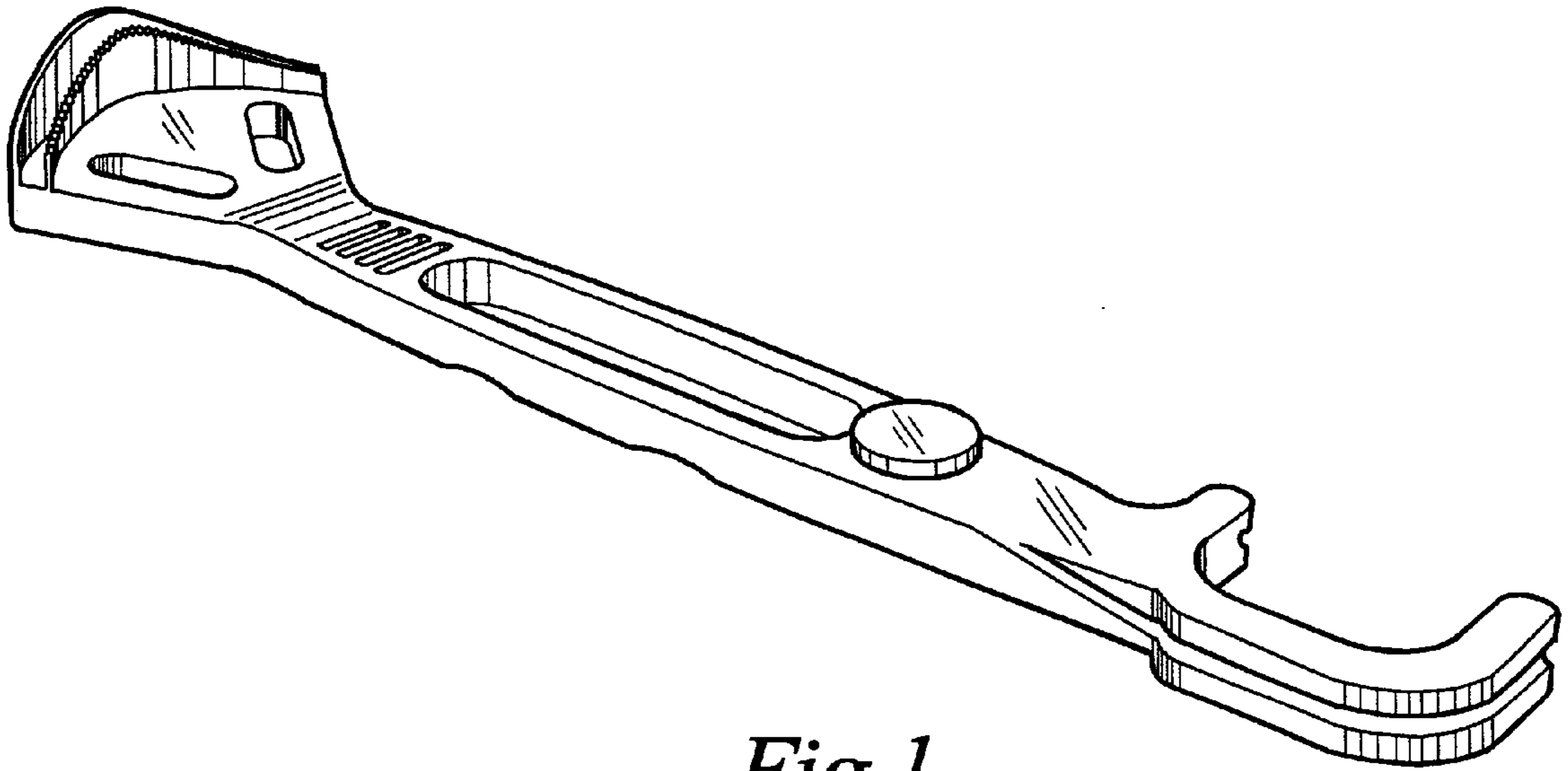


Fig. 1

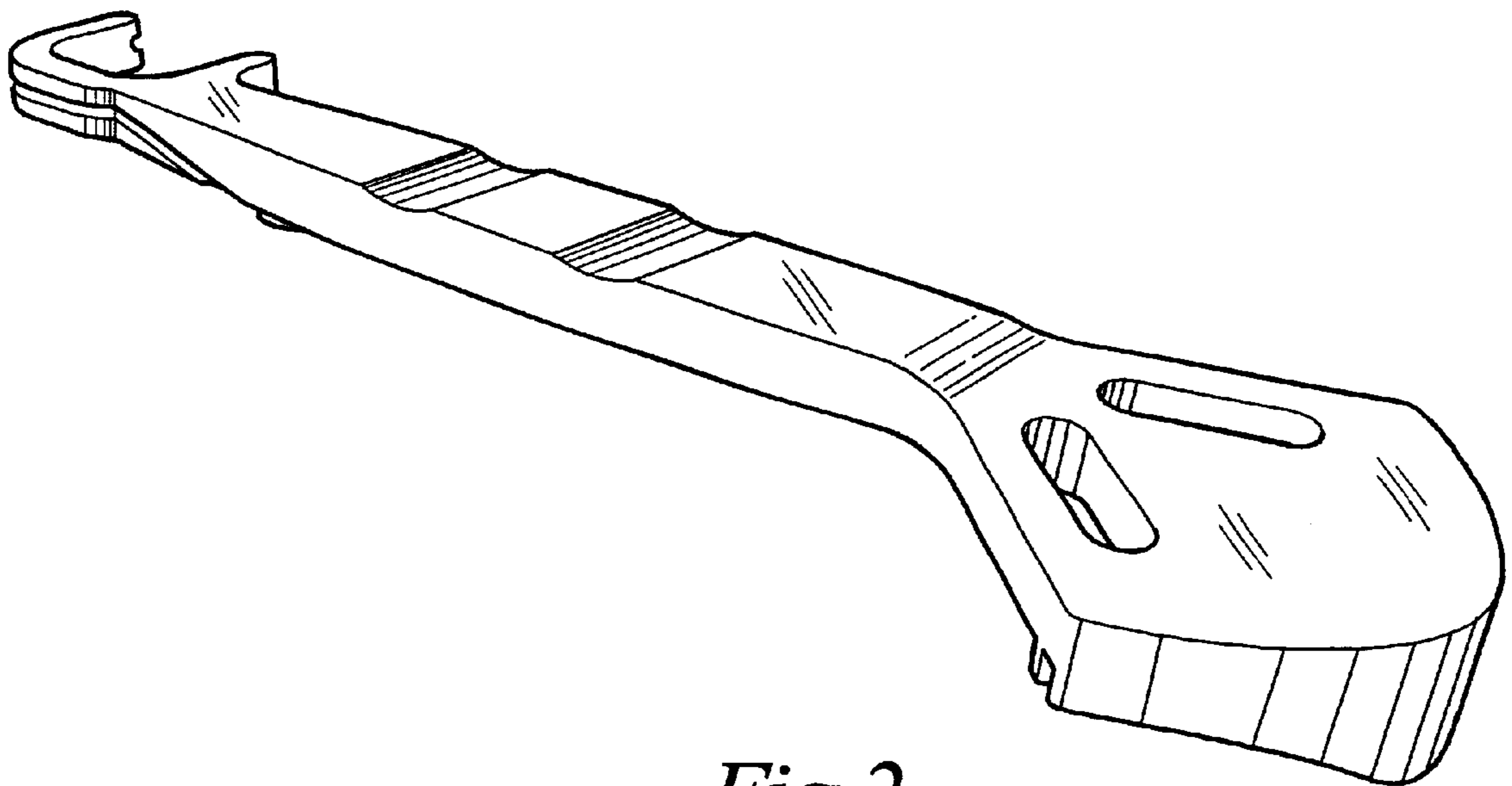


Fig. 2

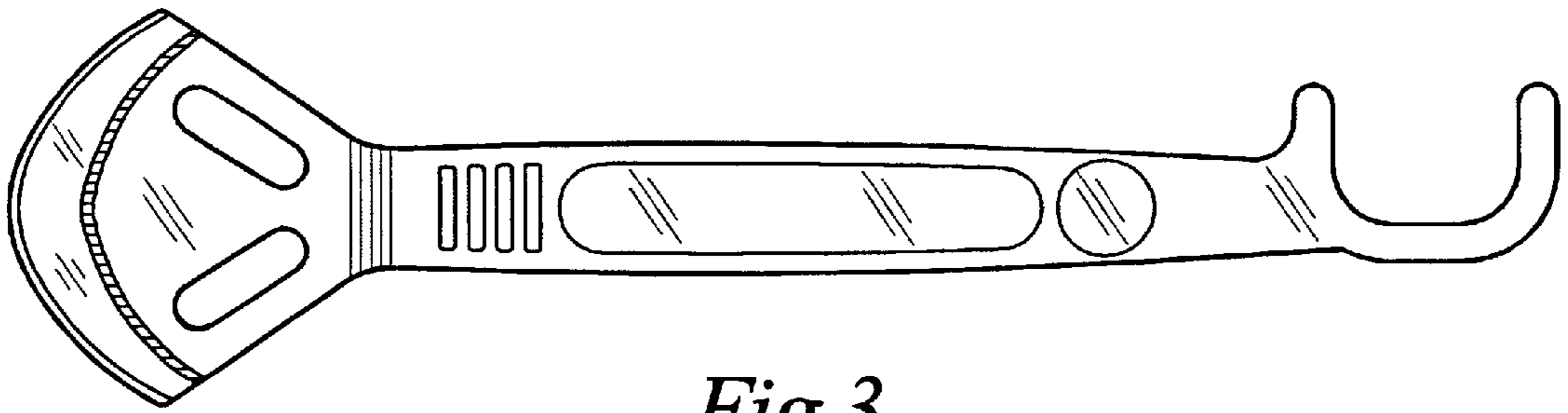


Fig.3

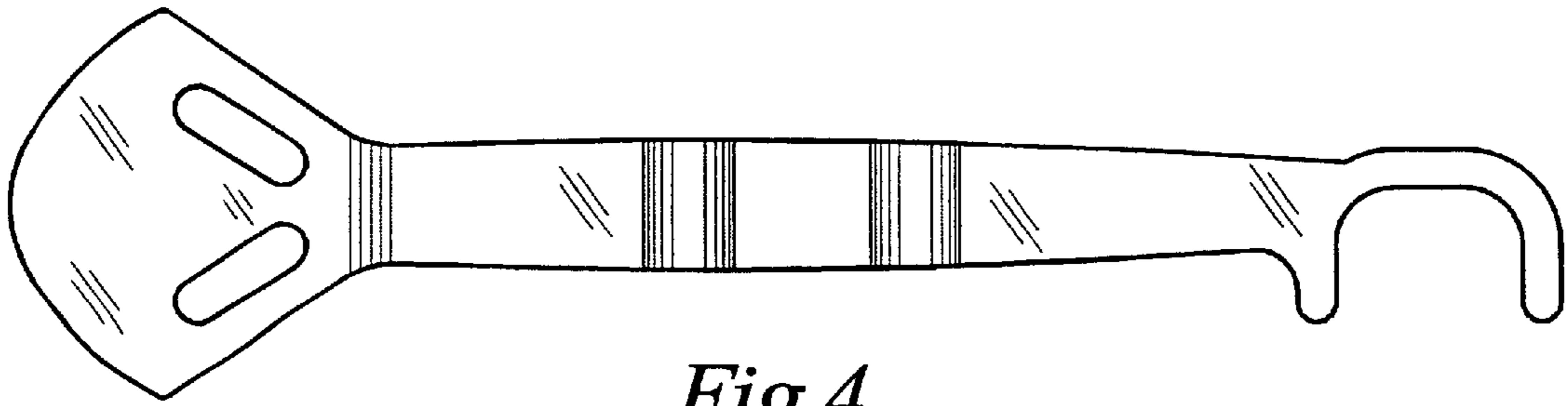


Fig.4

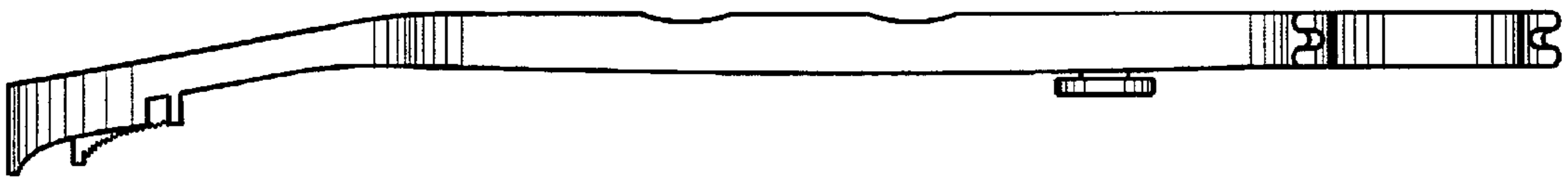


Fig.5

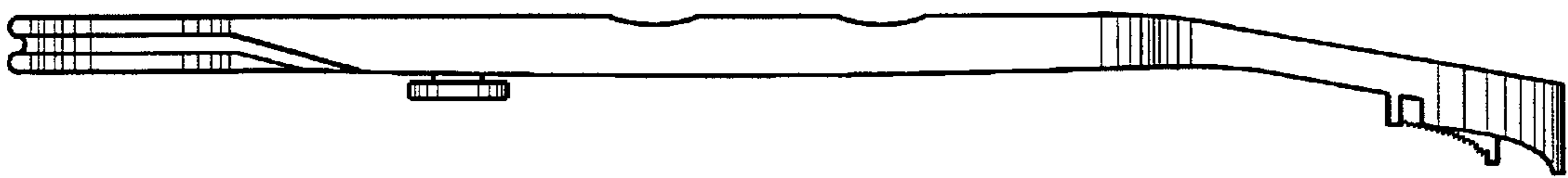


Fig.6

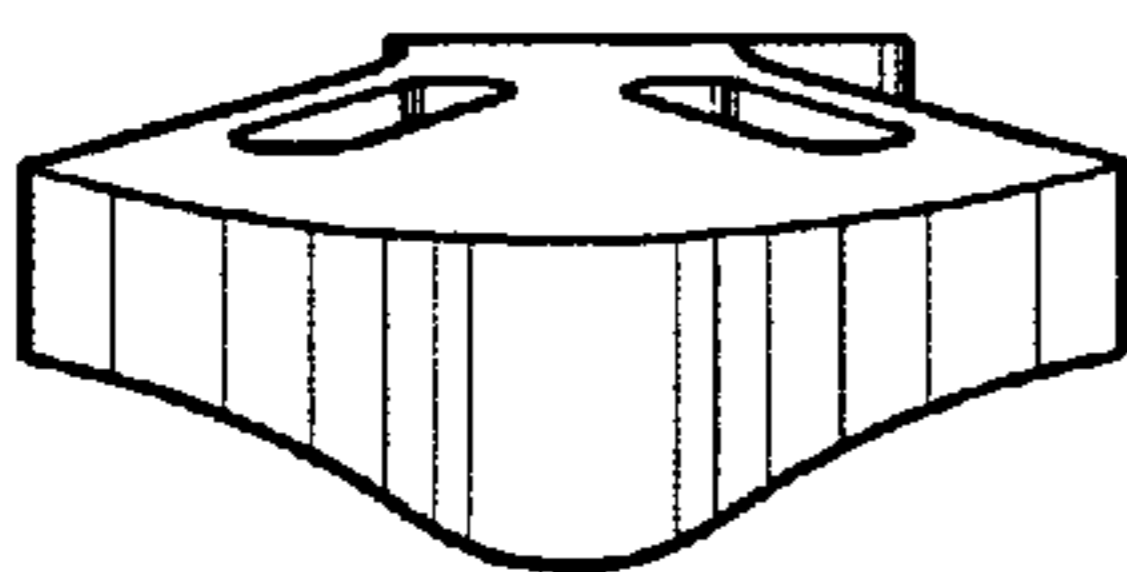


Fig.7

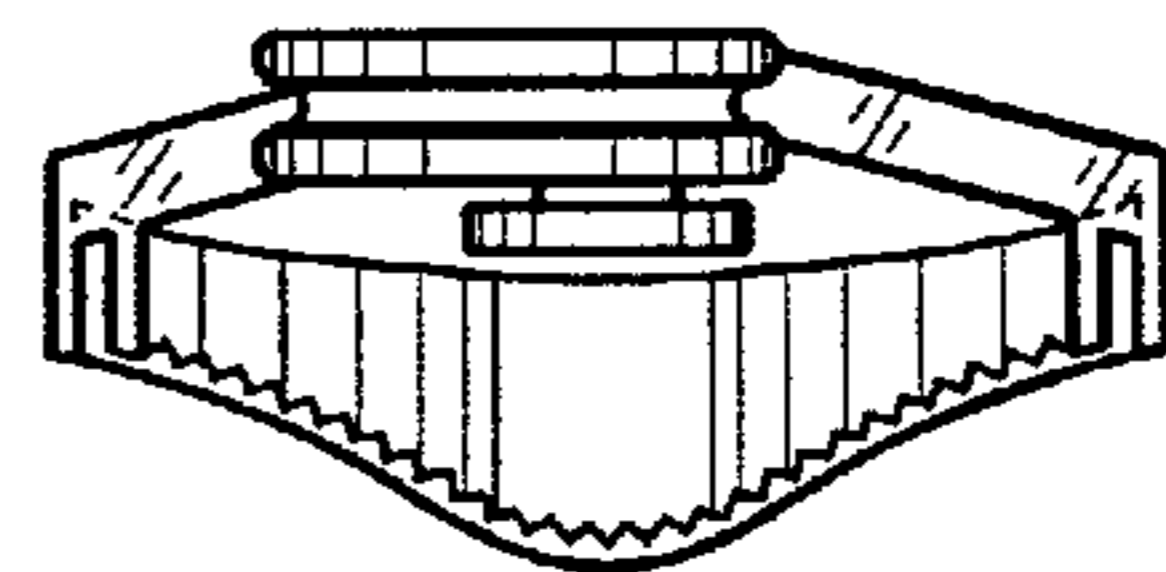


Fig.8