



US00D471271S

(12) **United States Design Patent**  
**Strömberg et al.**

(10) **Patent No.:** **US D471,271 S**

(45) **Date of Patent:** **\*\* Mar. 4, 2003**

(54) **ANESTHESIA WORK STATION**

(75) Inventors: **Stefan Strömberg**, Sigtuna (SE); **Nils Olof Eriksson**, Enskede (SE); **David Crafoord**, Bromma (SE); **Elisabeth Broms**, Bromma (SE)

(73) Assignee: **Aneo AB** (SE)

(\*\*) Term: **14 Years**

(21) Appl. No.: **29/159,040**

(22) Filed: **Apr. 16, 2002**

**Related U.S. Application Data**

(62) Division of application No. 29/139,883, filed on Apr. 9, 2001, now Pat. No. Des. 459,799.

(30) **Foreign Application Priority Data**

Oct. 9, 2000 (SE) ..... 00-1838  
Oct. 9, 2000 (SE) ..... 00-1840

(51) **LOC (7) Cl.** ..... **24-01**

(52) **U.S. Cl.** ..... **D24/107**

(58) **Field of Search** ..... D24/107, 108,  
D24/110; 128/204.18, 204.21, 204.22, 205.23

(56) **References Cited**

**U.S. PATENT DOCUMENTS**

4,150,670 A 4/1979 Jewett et al.

D312,307 S 11/1990 Leibson et al.

5,432,698 A 7/1995 Fujita

D375,158 S 10/1996 Milani et al.

5,718,223 A 2/1998 Protas et al.

5,778,874 A 7/1998 Maguire et al.

*Primary Examiner*—Stella Reid

(74) *Attorney, Agent, or Firm*—Banner & Witcoff, Ltd.

(57) **CLAIM**

The ornamental design for an anesthesia work station, as shown and described.

**DESCRIPTION**

FIG. 1 is a top, front perspective view of an anesthesia work station showing our new design;

FIG. 2 is a bottom, front perspective view thereof;

FIG. 3 is a front elevational view thereof;

FIG. 4 is a rear elevational view thereof;

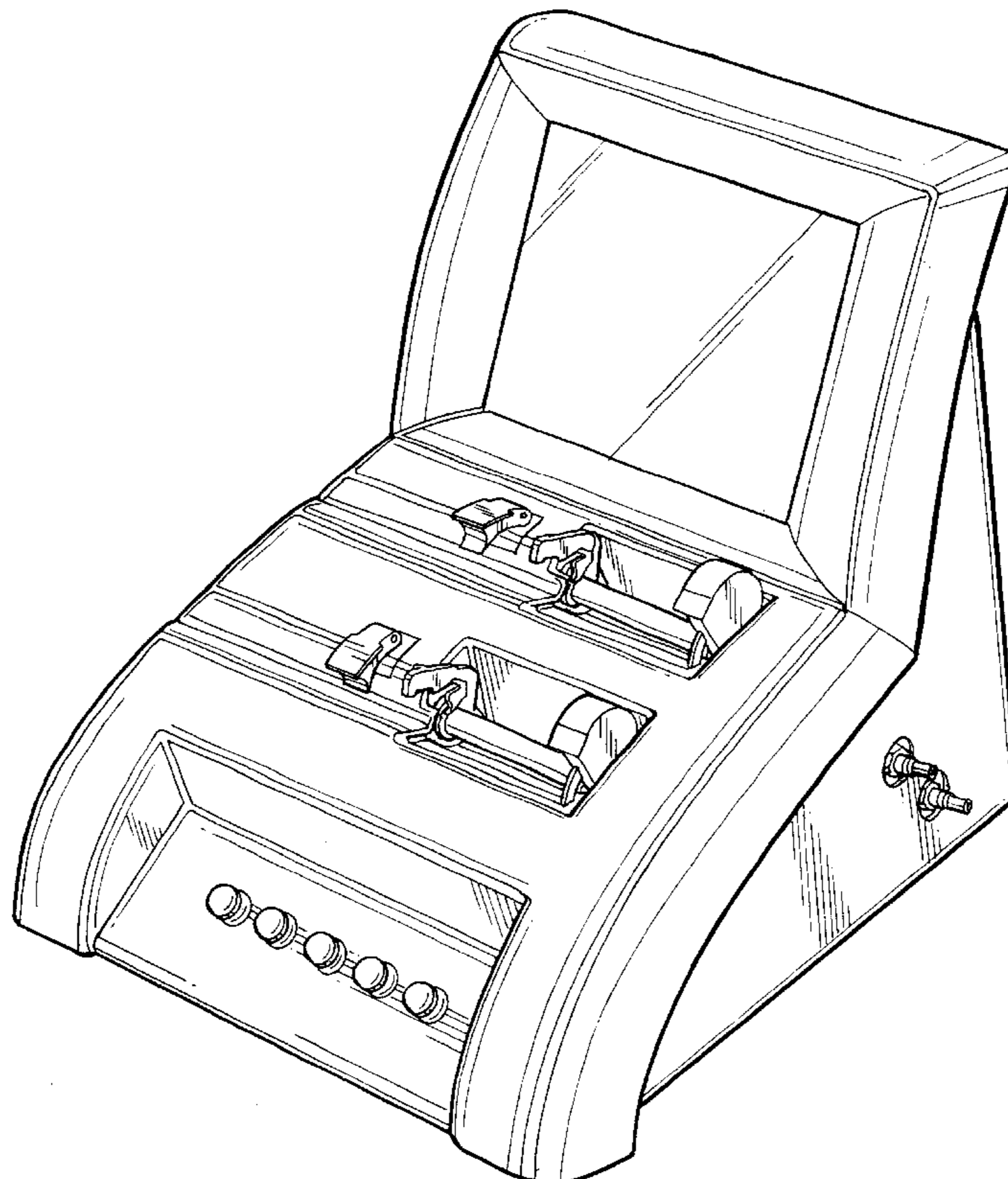
FIG. 5 is a side elevational view thereof;

FIG. 6 is a side elevational view thereof opposite that of FIG. 5;

FIG. 7 is a top plan view thereof; and,

FIG. 8 is a bottom plan view thereof.

**1 Claim, 8 Drawing Sheets**



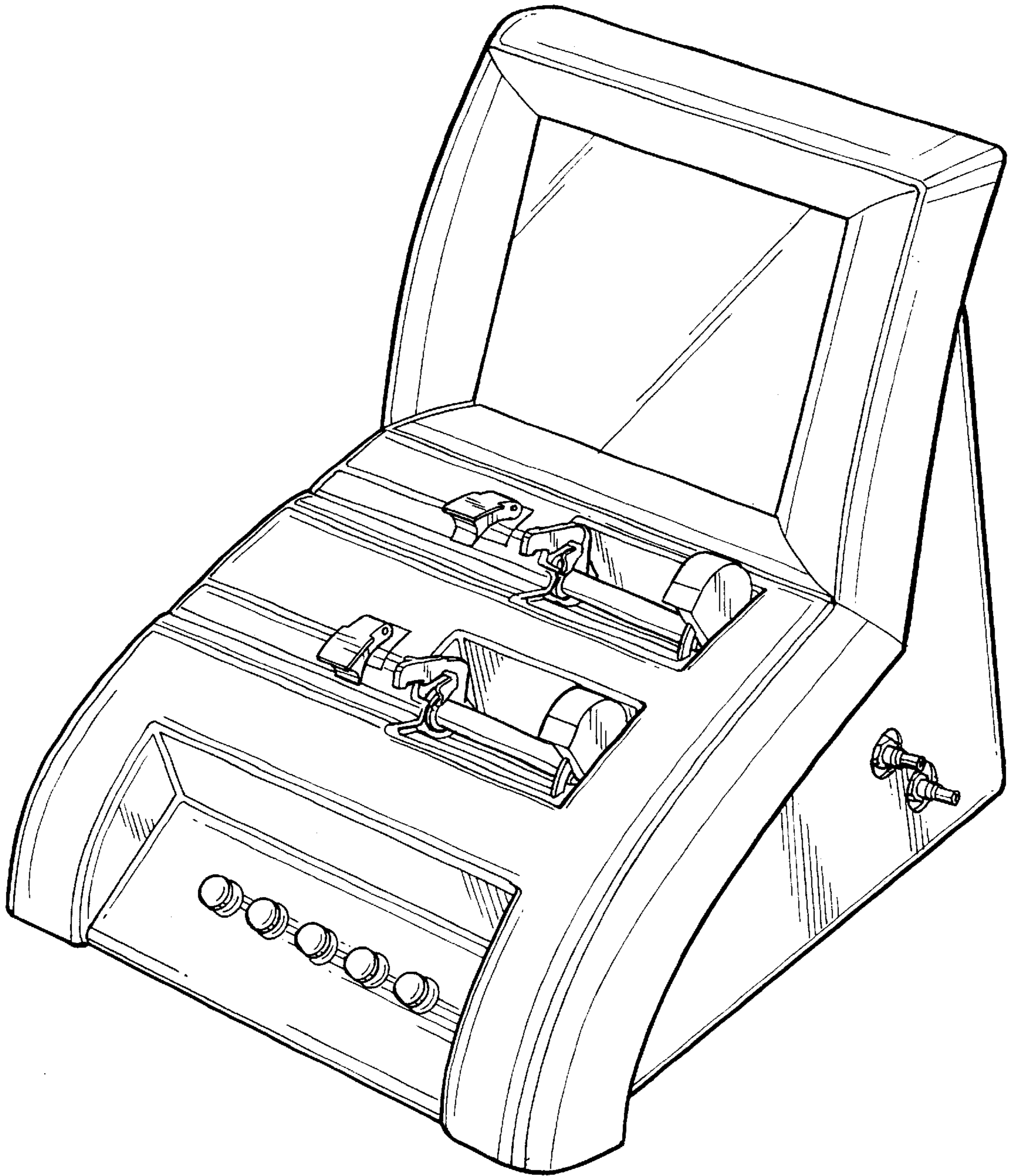


FIG. 1

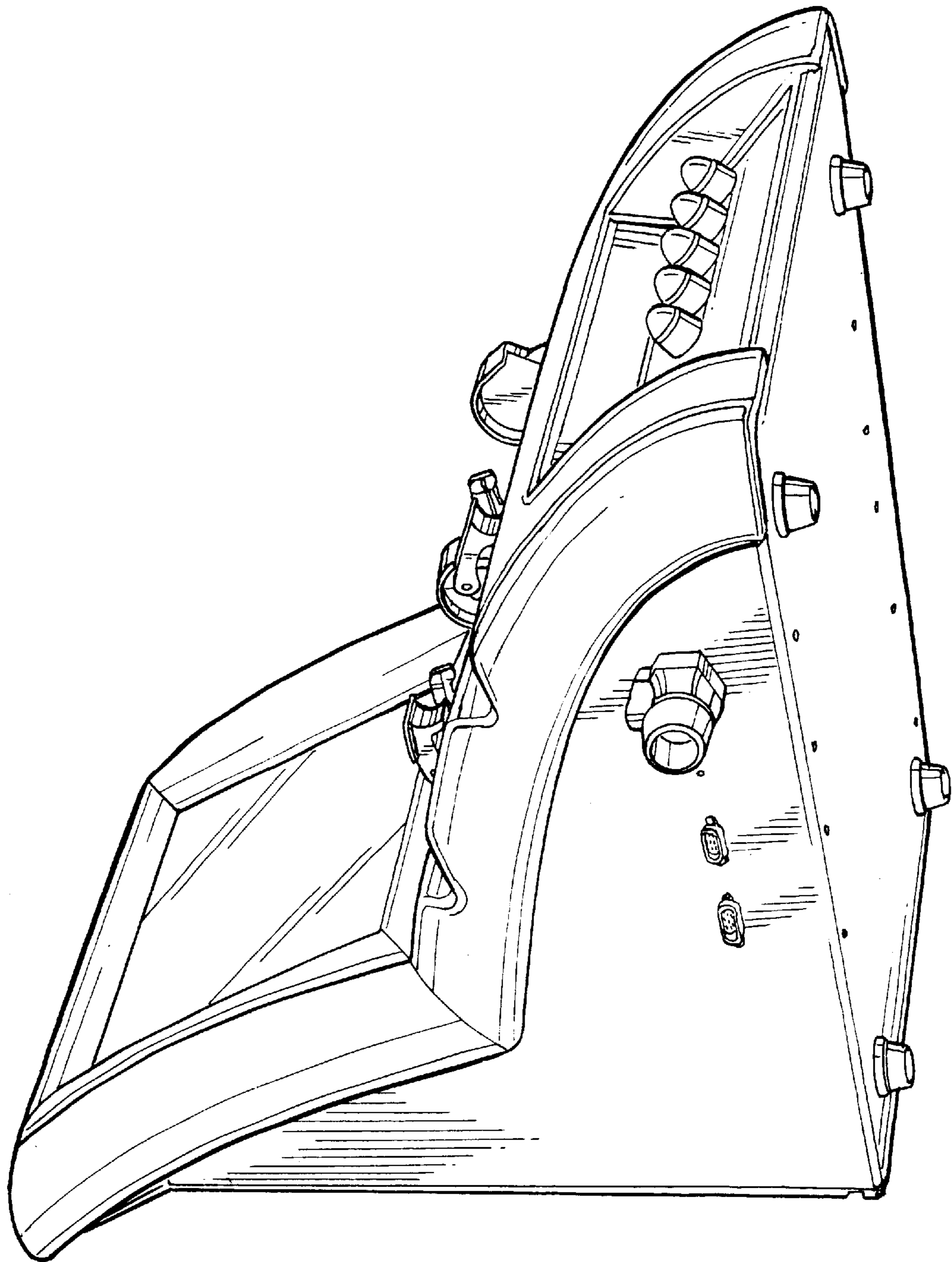


FIG. 2



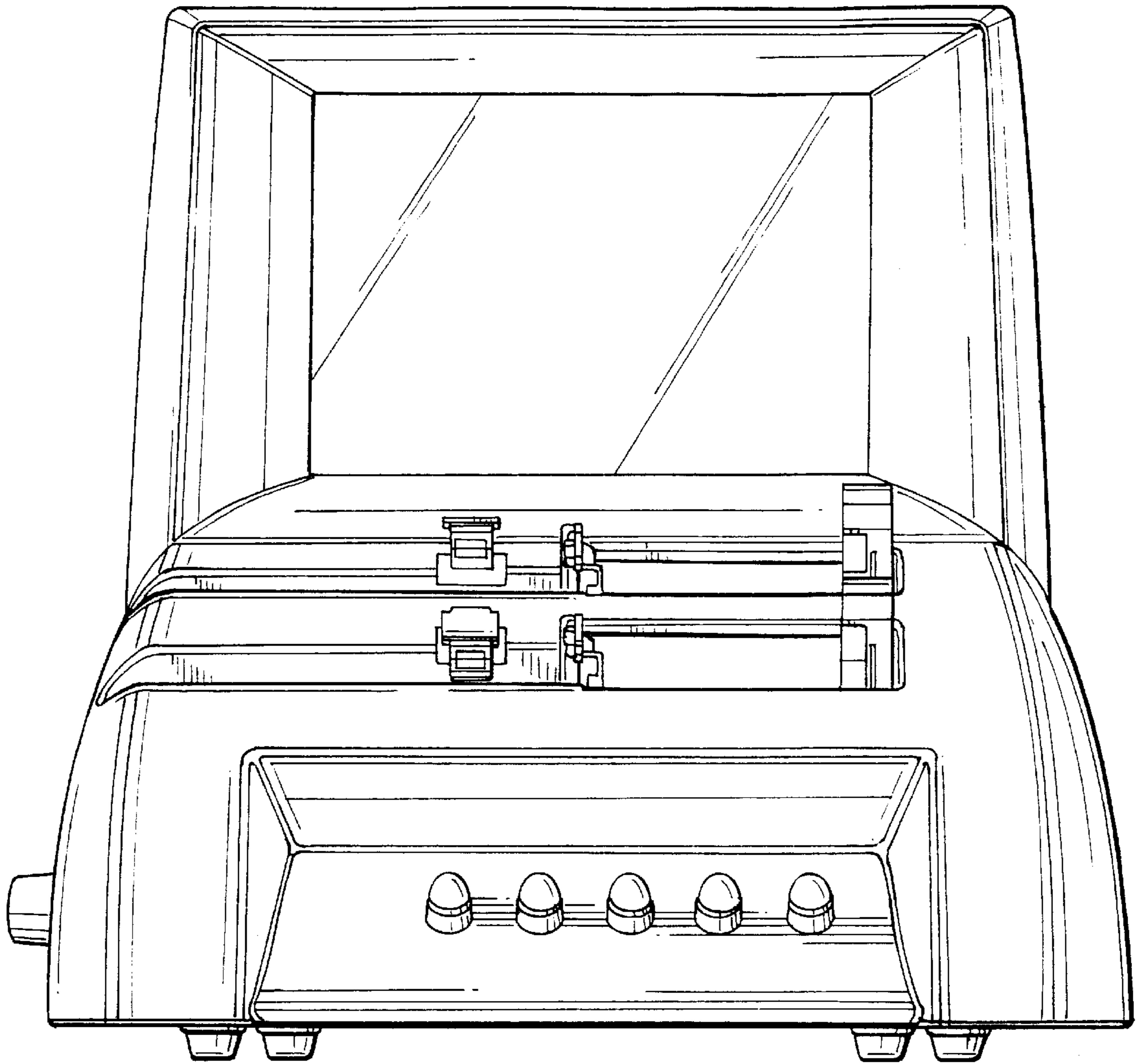


FIG. 3

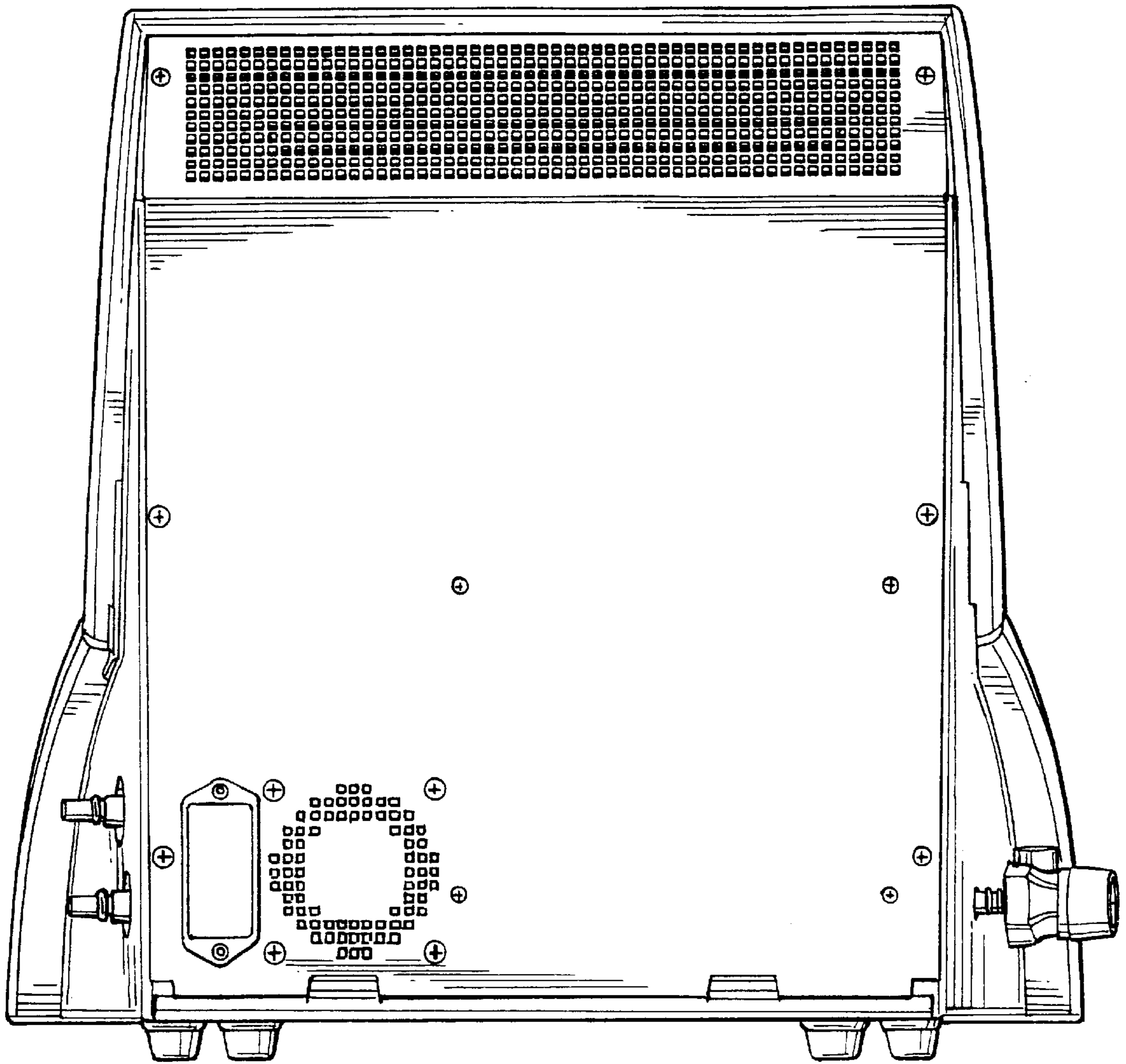


FIG. 4

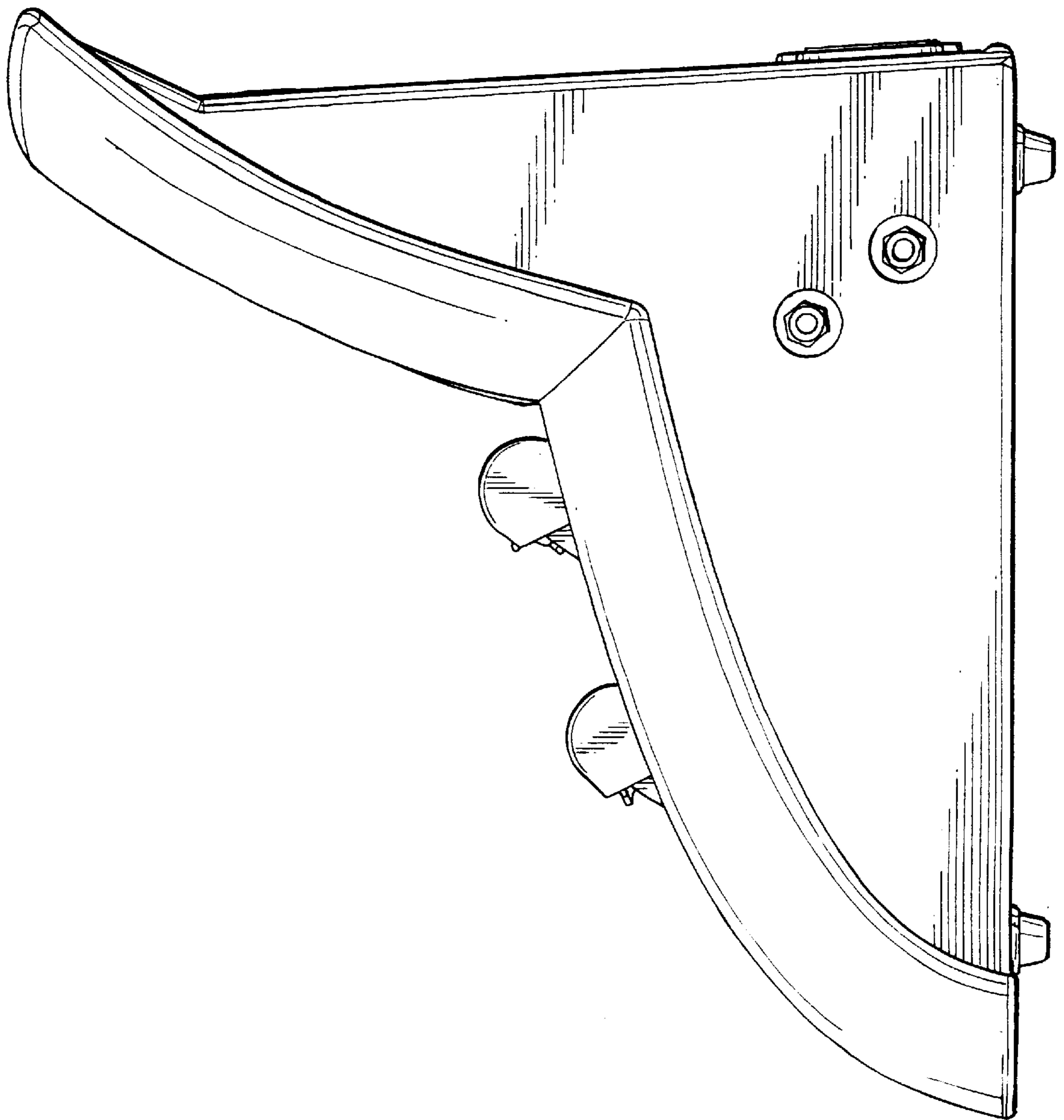


FIG. 5

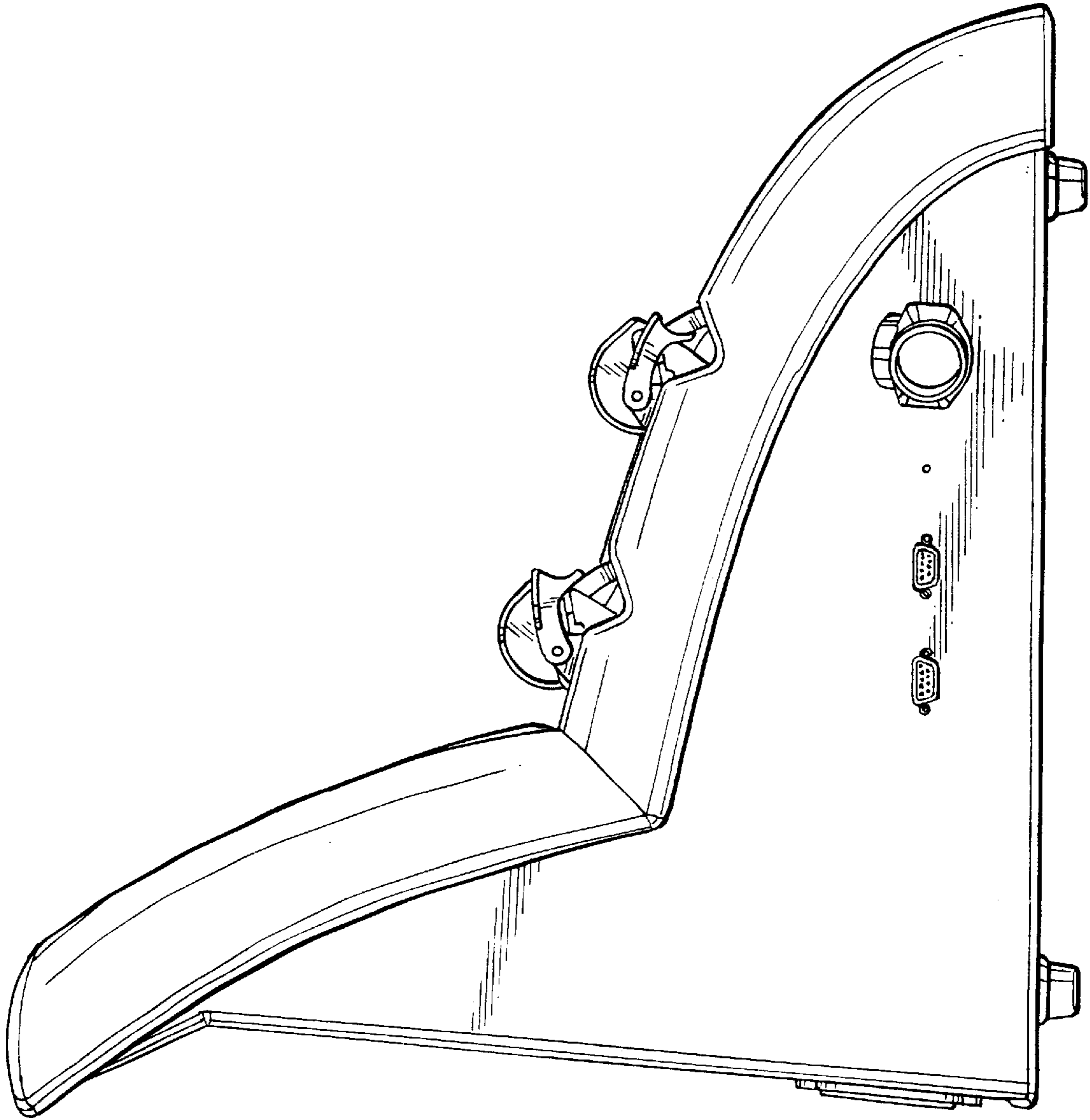


FIG. 6

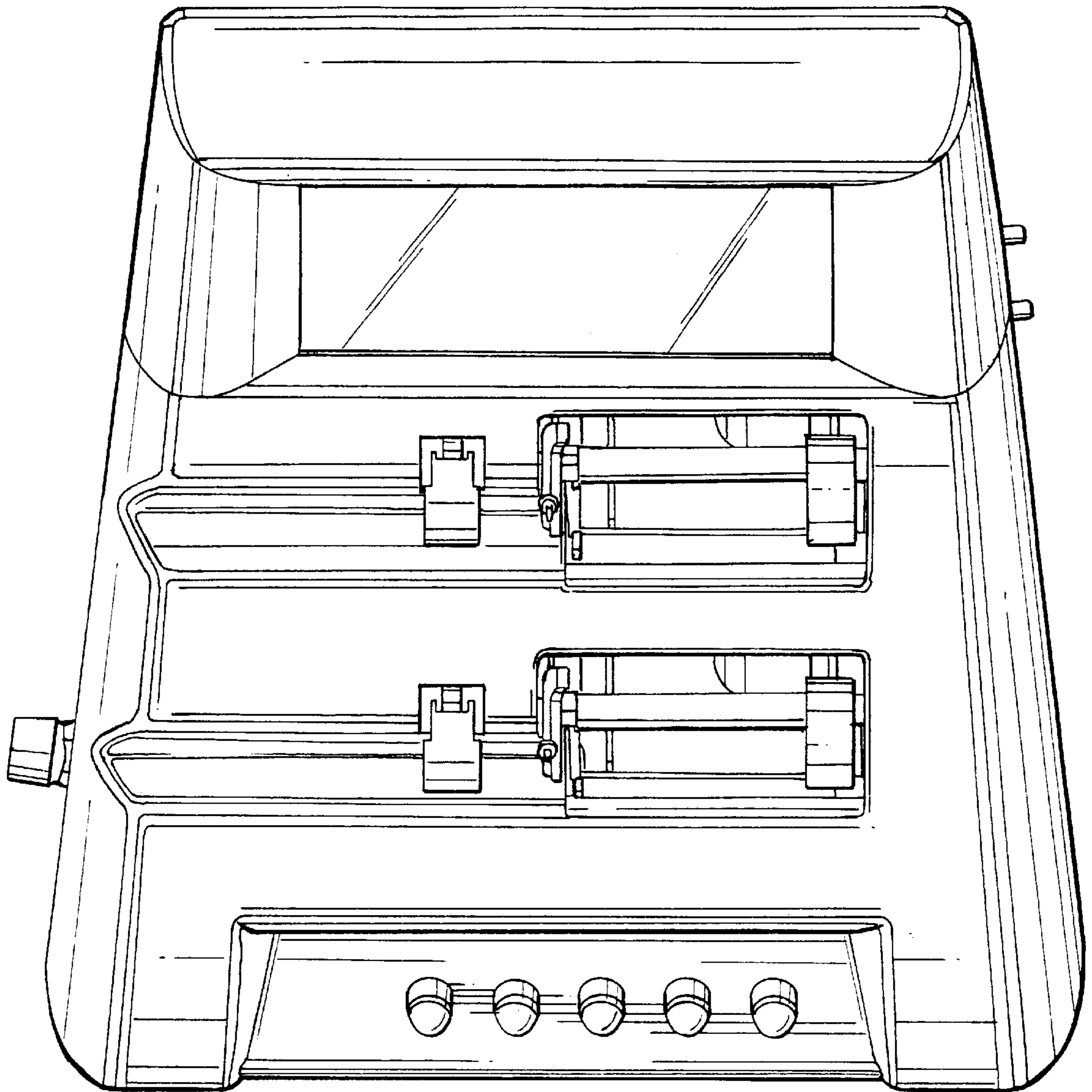


FIG. 7



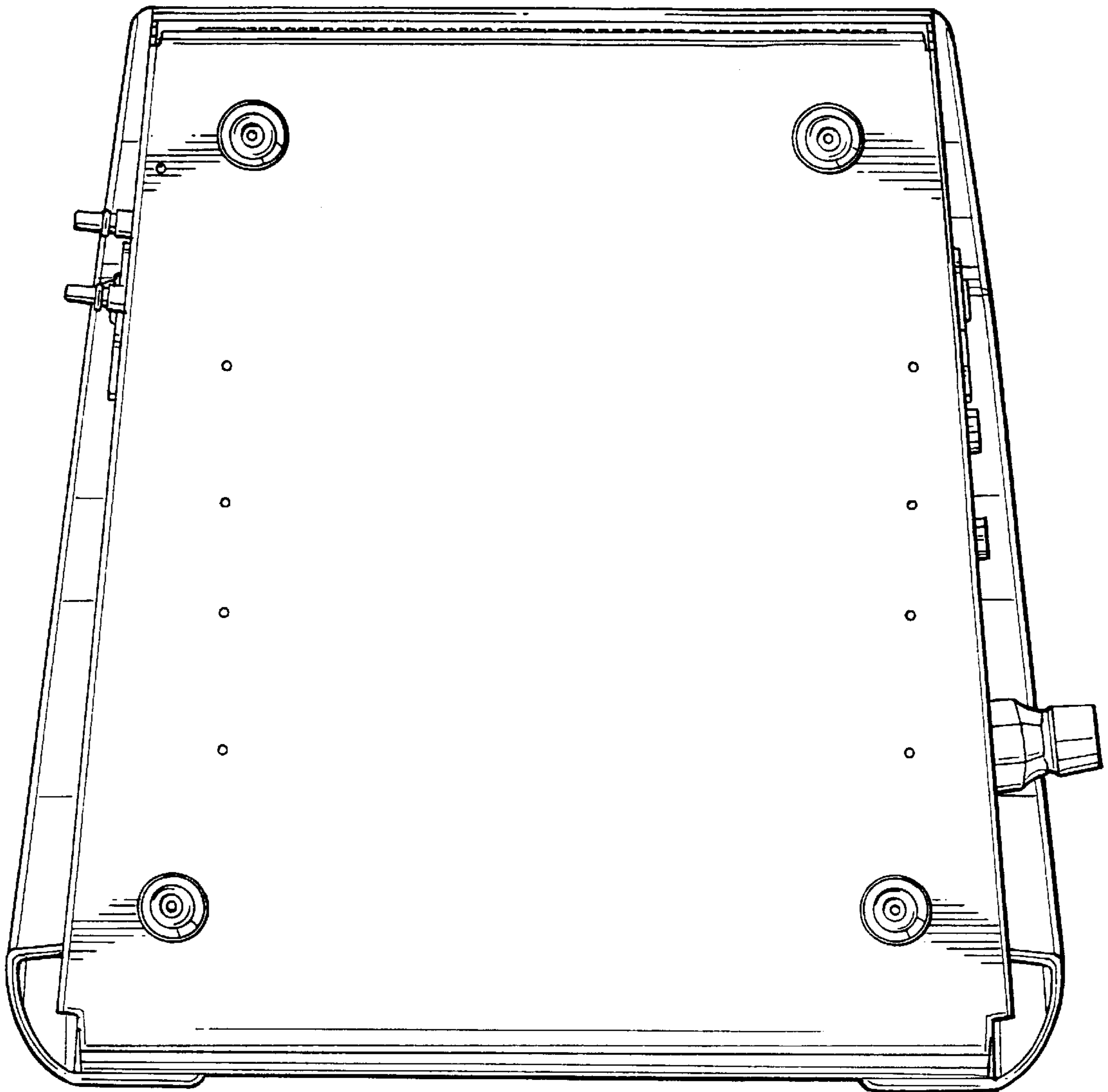


FIG. 8