



US00D471269S

(12) **United States Design Patent**
Gajewski

(10) **Patent No.:** **US D471,269 S**

(45) **Date of Patent:** **** Mar. 4, 2003**

(54) **COMBINATION CEILING FAN MOTOR HOUSING AND BLADES UNIT**

(75) **Inventor:** **Mark Gajewski**, San Luis Obispo, CA (US)

(73) **Assignee:** **Minka Lighting, Inc.**, Corona, CA (US)

(**) **Term:** **14 Years**

(21) **Appl. No.:** **29/160,472**

(22) **Filed:** **May 10, 2002**

(51) **LOC (7) Cl.** **23-04**

(52) **U.S. Cl.** **D23/377; D23/379; D23/385; D23/411**

(58) **Field of Search** **D23/377, 379, D23/385, 411, 413; 416/5**

(56) **References Cited**

U.S. PATENT DOCUMENTS

D323,384 S	*	1/1992	Mason	D23/377
D401,322 S	*	11/1998	Liu	D23/377
D424,680 S	*	5/2000	Wenzlick	D23/377

OTHER PUBLICATIONS

Minka Lighting, Inc.; MinkaAire Two Thousand Two; Apr. 22, 2002; pp. 4,5; Minka Lighting, Inc.; U.S.A.

* cited by examiner

Primary Examiner—Lisa Lichtenstein

(74) *Attorney, Agent, or Firm*—Jenkins & Gilchrist, P.C.

(57) **CLAIM**

The ornamental design for a combination ceiling fan motor housing and blades unit, as shown and described.

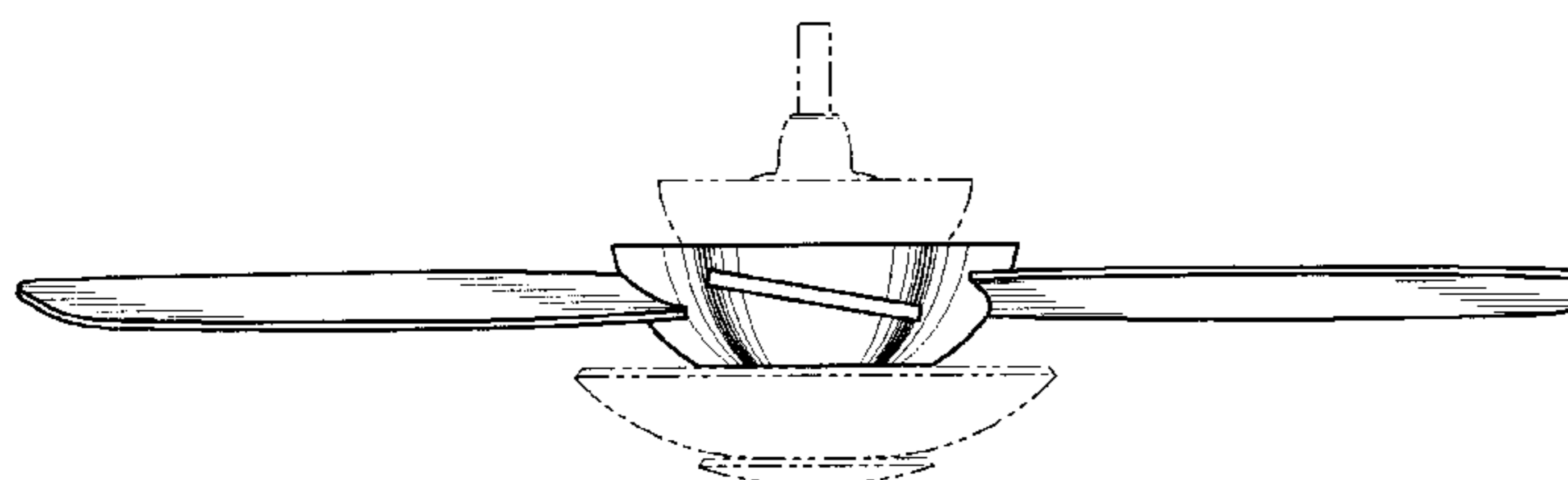
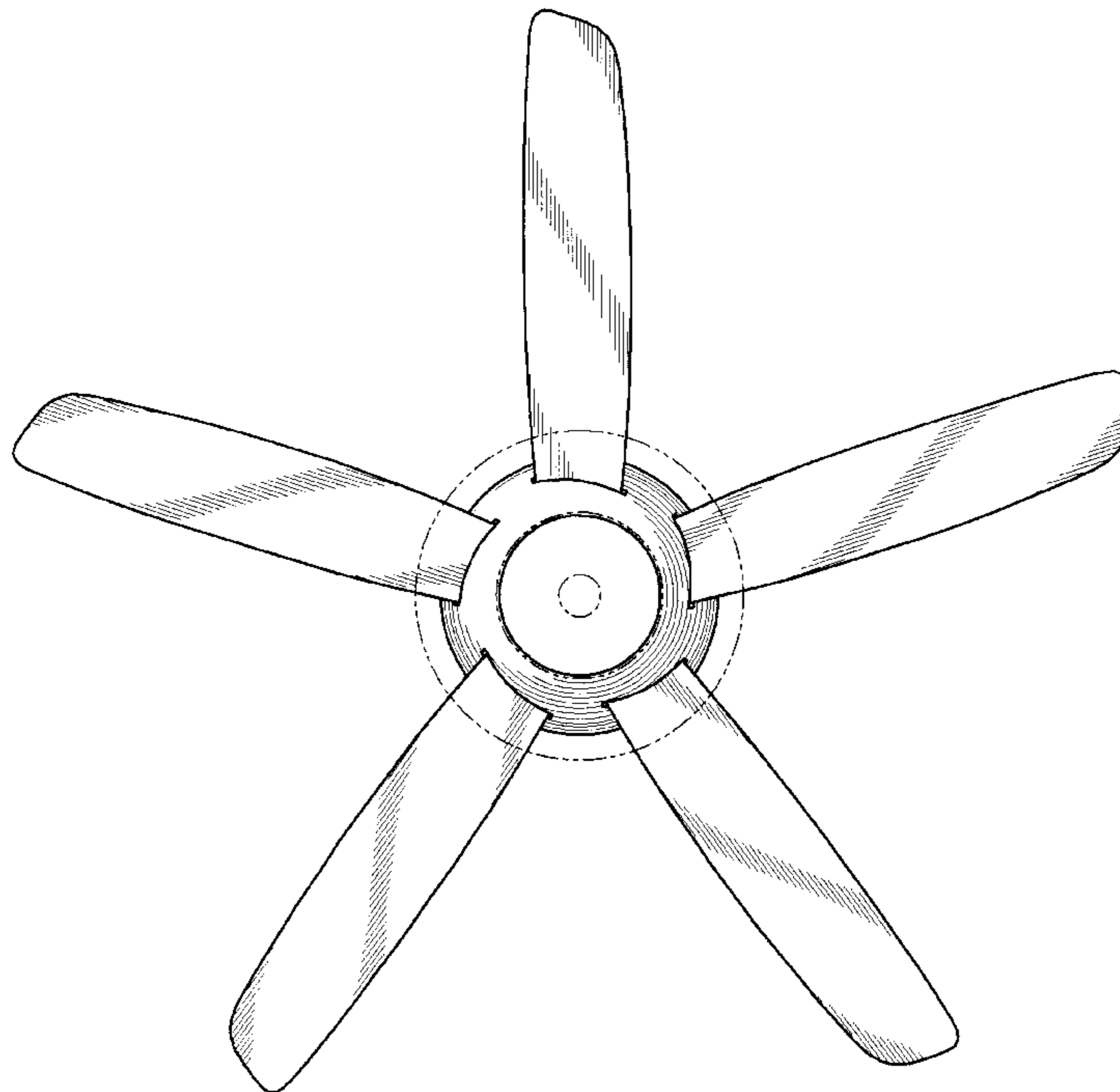
DESCRIPTION

FIG. 1 is a bottom view of the combination ceiling fan motor housing and blades unit in accordance with my design; FIG. 2 is a rear elevation view thereof, the left and right side elevation views being identical to that shown; FIG. 3 is a top plan view thereof; and, FIG. 4 is a front elevation view thereof.

The broken lines showing environmental structure in FIGS. 1-4 are for illustrative purposes and form no part of the claimed design.

The front of the claimed design is identical to the rear except for the position of the blades.

1 Claim, 2 Drawing Sheets



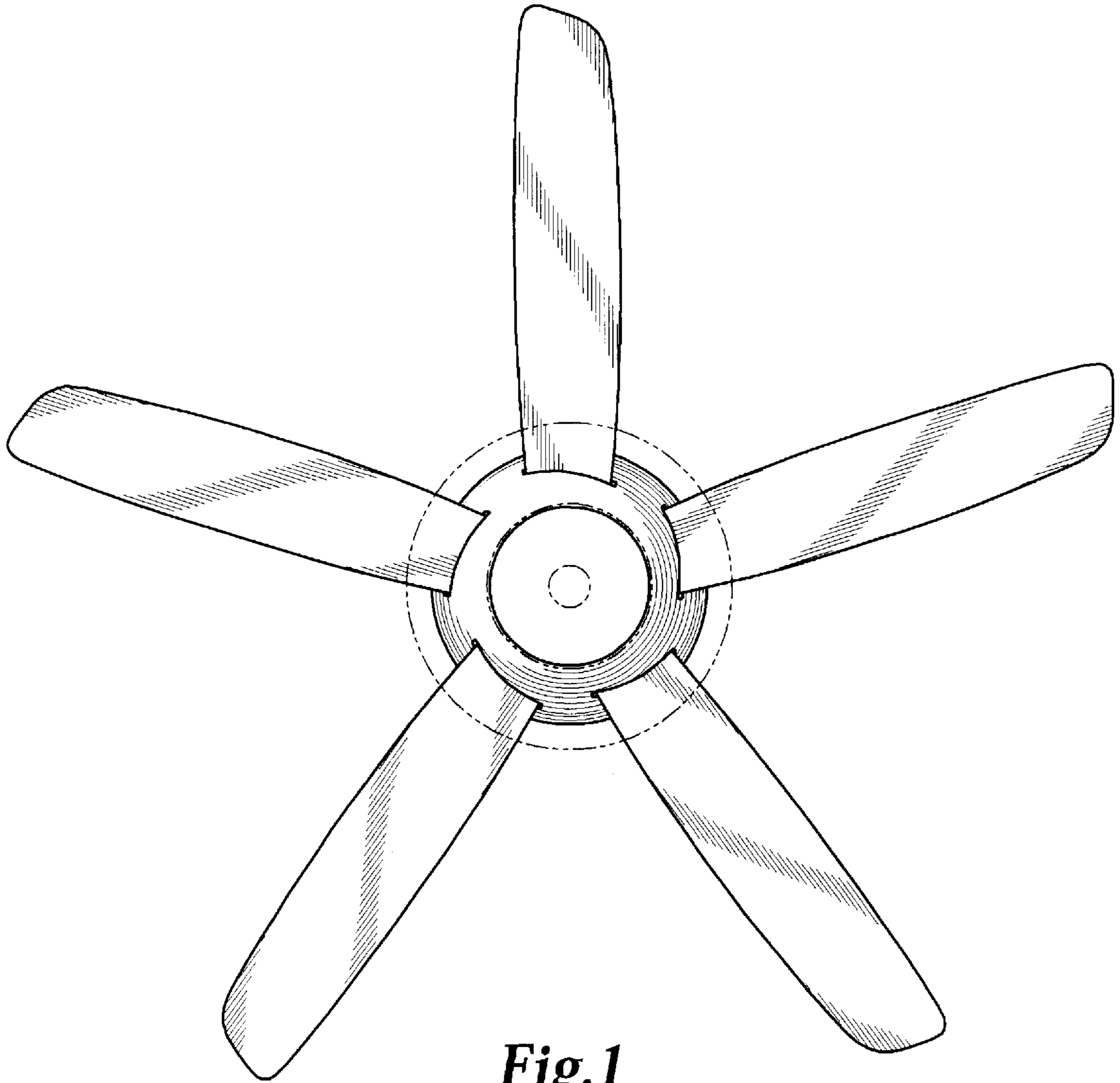


Fig. 1

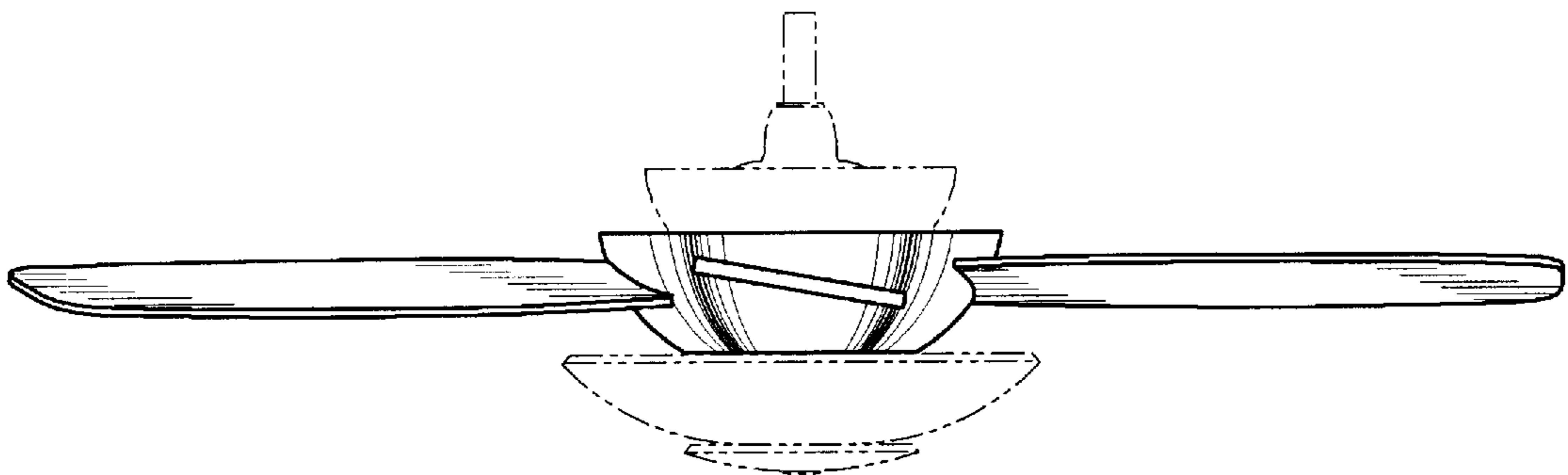


Fig. 2

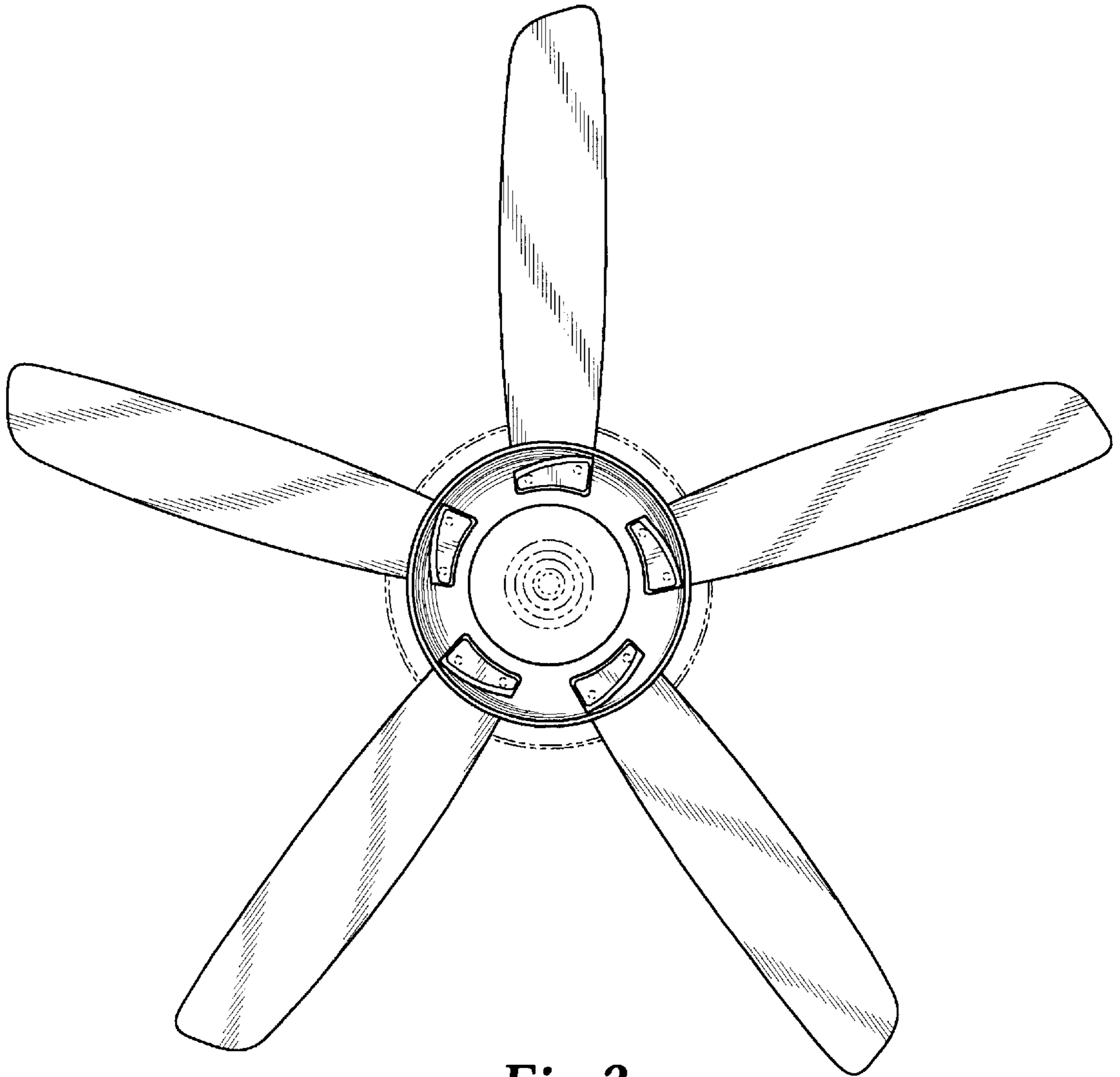


Fig.3

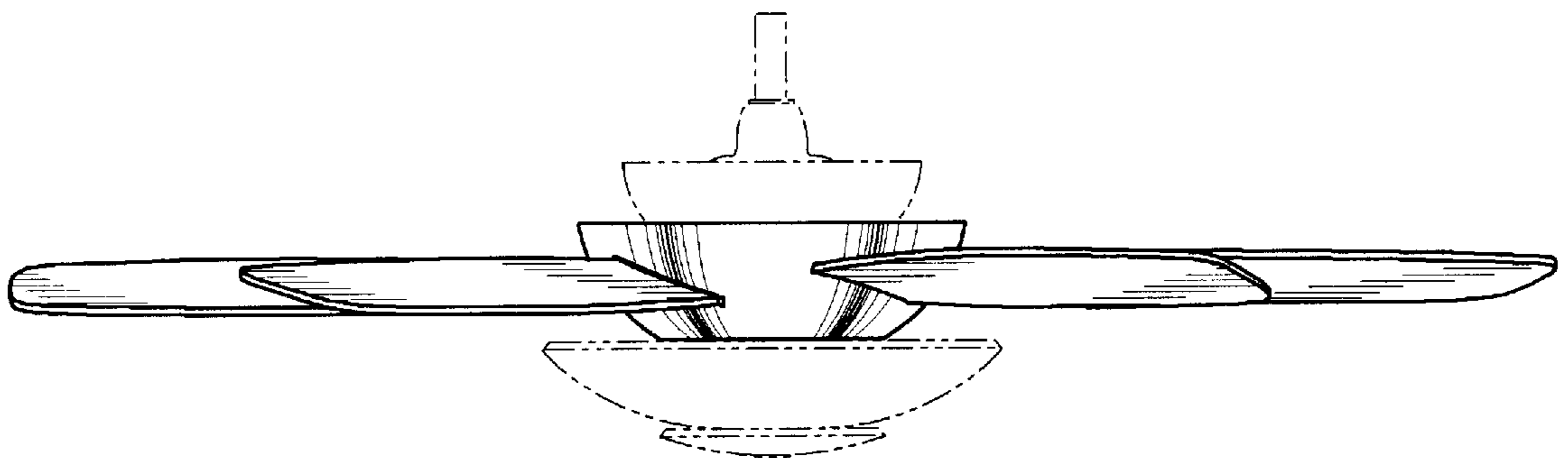


Fig.4