



US00D471266S

(12) **United States Design Patent**
Espinoza

(10) **Patent No.:** **US D471,266 S**

(45) **Date of Patent:** **** Mar. 4, 2003**

(54) **SPORTSMAN'S POTTY**

(76) **Inventor:** **Alfonso Espinoza**, 1534 County Rd.12.5, Antonito, CO (US) 81120

(**) **Term:** **14 Years**

(21) **Appl. No.:** **29/158,361**

(22) **Filed:** **Apr. 5, 2002**

(51) **LOC (7) Cl.** **23-02**

(52) **U.S. Cl.** **D23/299**

(58) **Field of Search** D23/295-299,
D23/303, 309; 4/473, 315, 300, 312, 329,
449, 459, 460, 902, 905, DIG. 11, DIG. 12;
D6/339, 351

(56) **References Cited**

U.S. PATENT DOCUMENTS

1,014,213	A	*	1/1912	Fitzgerald	4/73
1,017,675	A	*	2/1912	King	D23/299 X
2,919,169	A	*	12/1959	Jackson	D6/351 X
3,063,061	A		11/1962	Bertram	4/484

3,737,920	A	*	6/1973	Savee	4/315 X
D321,757	S	*	11/1991	Aldred et al.	D23/311
5,379,466	A		1/1995	Davies	4/449
5,448,785	A		9/1995	Lin	4/484
D383,199	S	*	9/1997	Nodo	D23/299

* cited by examiner

Primary Examiner—Louis S. Zarfaz
Assistant Examiner—Robert A. Delehanty
(74) *Attorney, Agent, or Firm*—R. L. Mikesell

(57) **CLAIM**

The design for a sportsman's potty, as shown and described.

DESCRIPTION

FIG. 1 is a front, side and top perspective view of a sportsman's potty showing my new design; FIG. 2 is a front elevation view thereof; FIG. 3 is a rear elevation view thereof; FIG. 4 is a side elevation view, it being understood the opposite side is a mirror image thereof; and, FIG. 5 is a bottom plan view thereof.

1 Claim, 1 Drawing Sheet

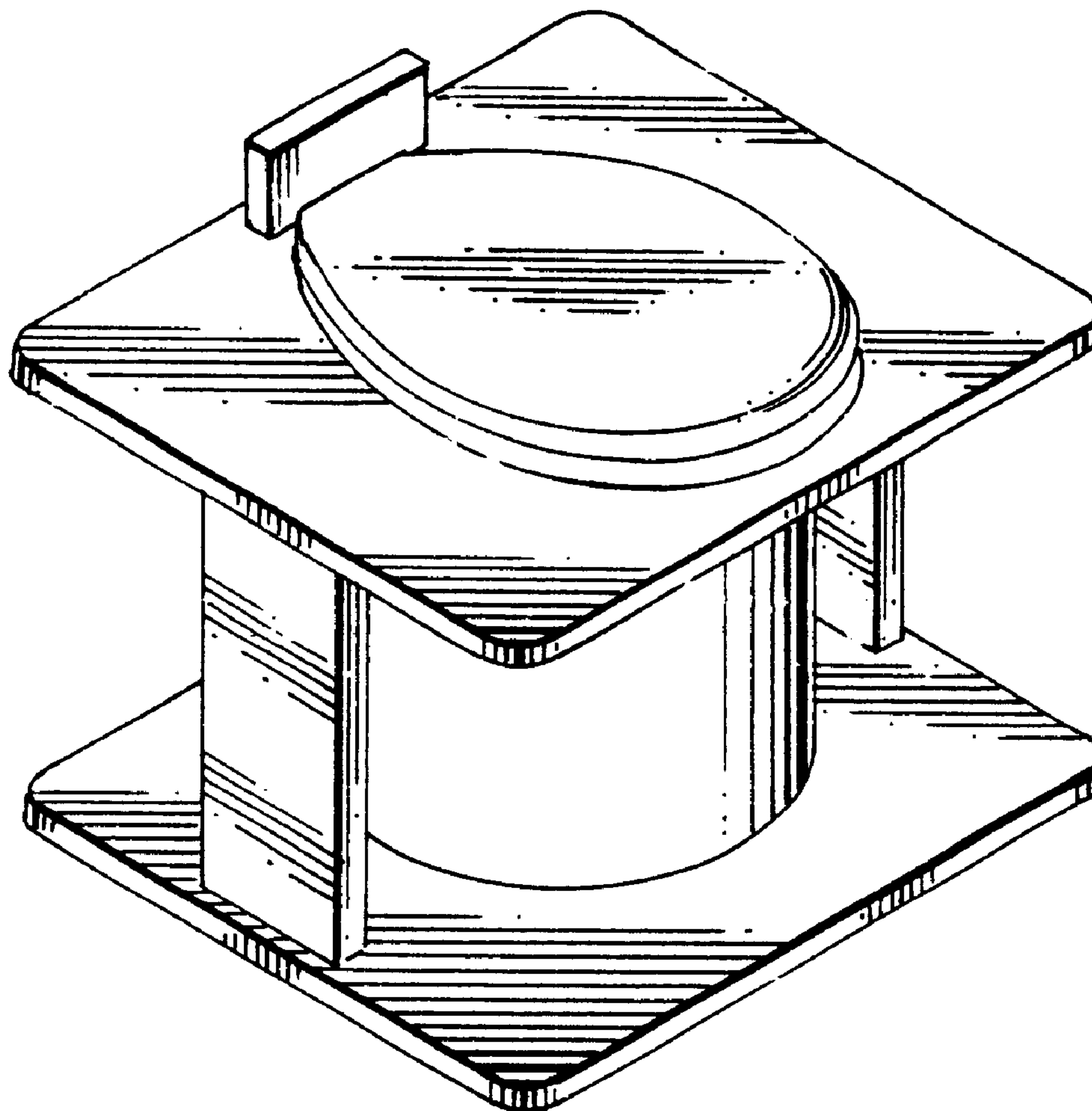


FIG. 1

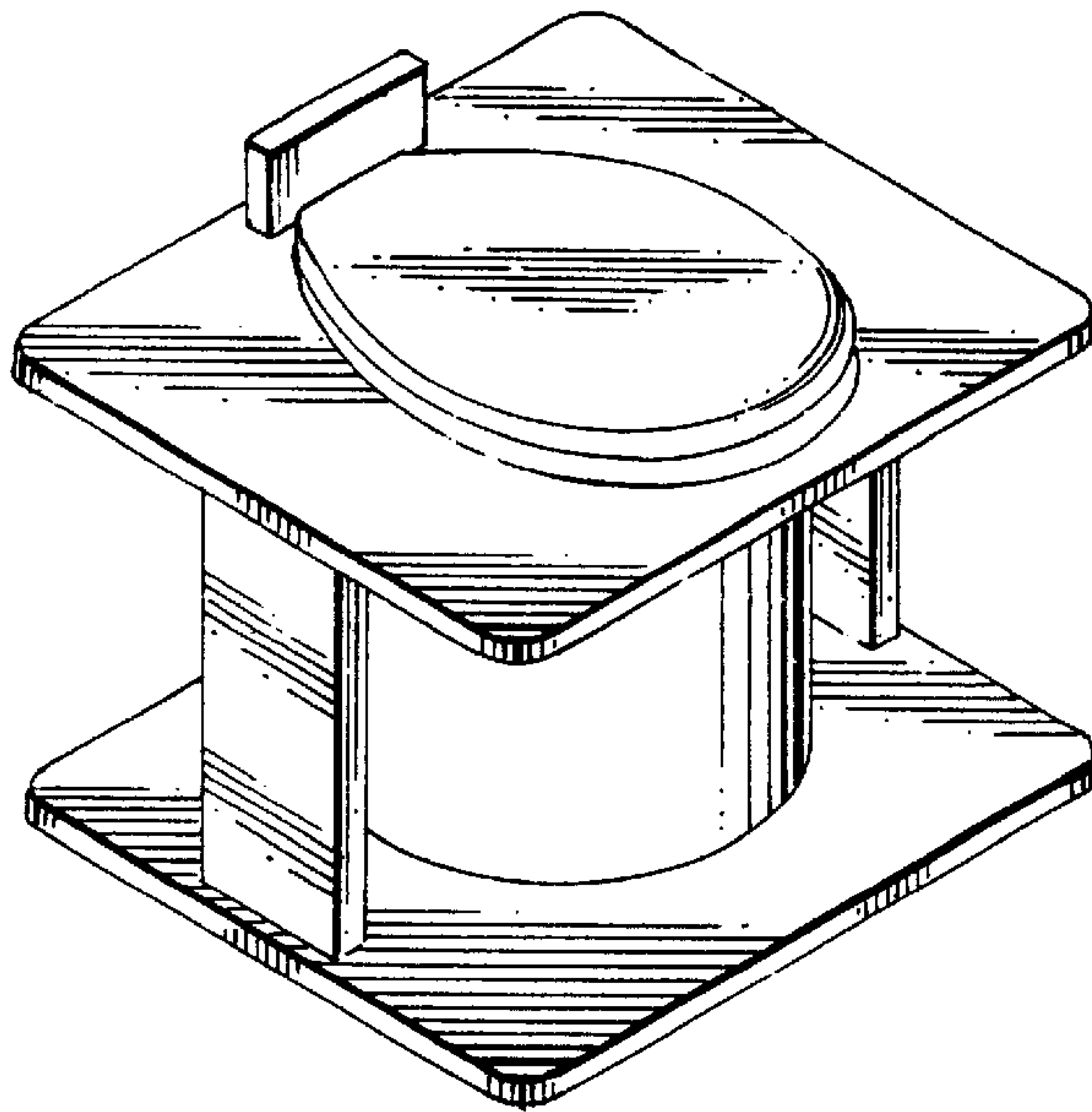


FIG. 2

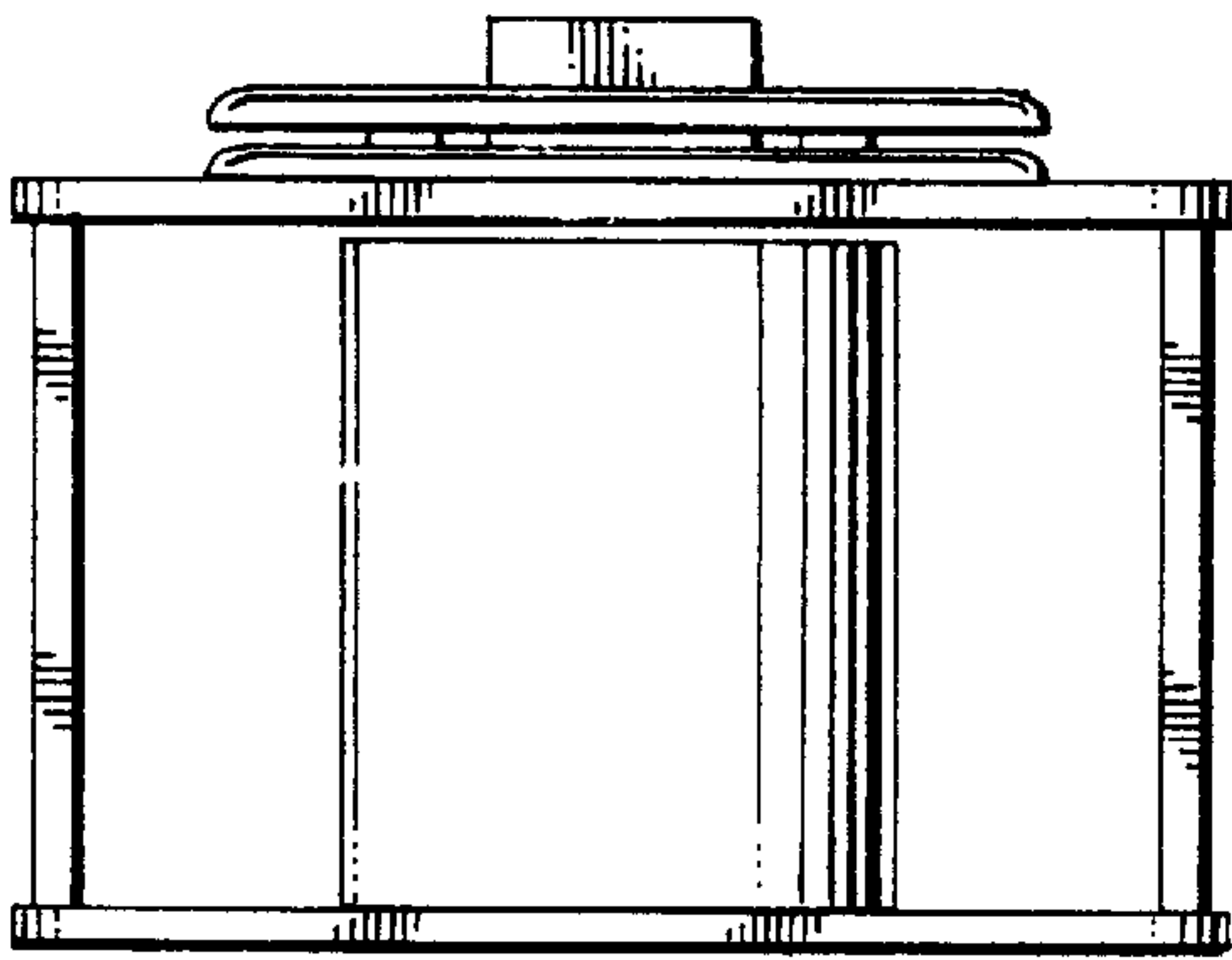


FIG. 4

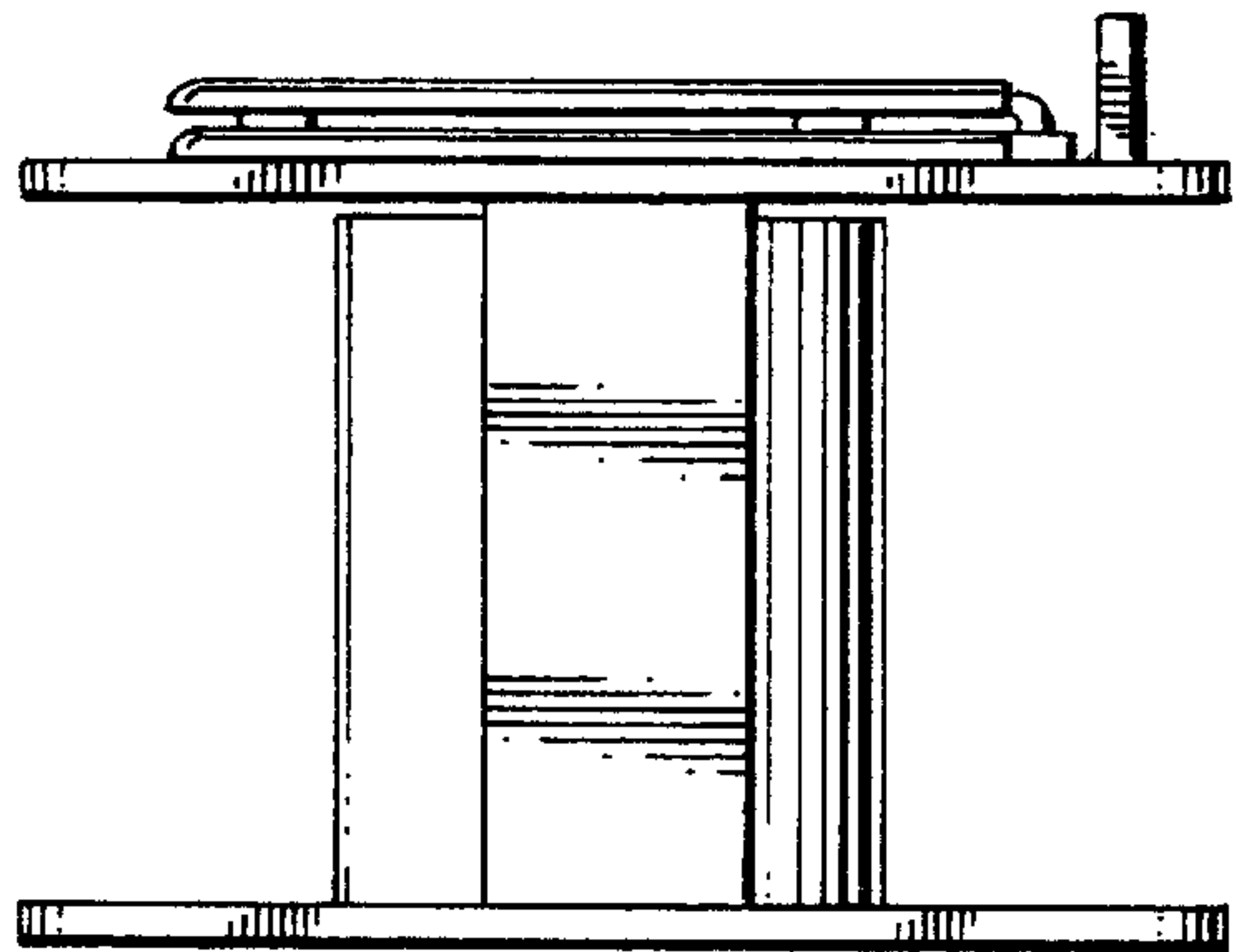


FIG. 3

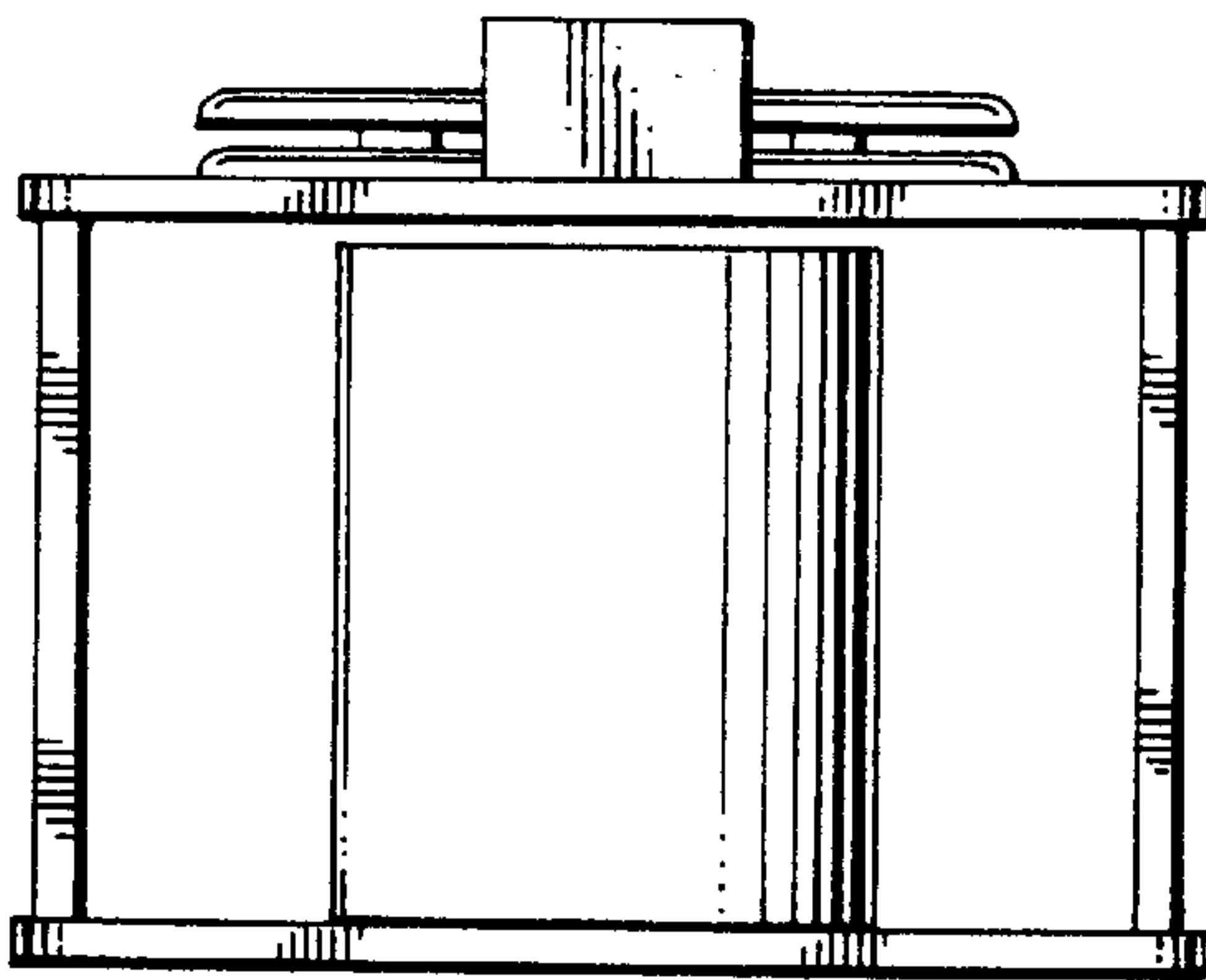


FIG. 5

