



US00D471265S

(12) **United States Design Patent**
Paredes et al.

(10) **Patent No.:** **US D471,265 S**

(45) **Date of Patent:** **** Mar. 4, 2003**

(54) **SINK**

(75) Inventors: **Raul M. Paredes**, Kohler, WI (US);
Kristina J. Genslak, Sheboygan, WI (US)

(73) Assignee: **Kohler Co.**, Kohler, WI (US)

(**) Term: **14 Years**

(21) Appl. No.: **29/158,390**

(22) Filed: **Apr. 3, 2002**

(51) **LOC (7) Cl.** **23-02**

(52) **U.S. Cl.** **D23/293.1**

(58) **Field of Search** D23/284–285,
D23/292, 293.1, 308; 4/619, 625, 627,
630, 632–635, 643–652, 660

(56) **References Cited**

U.S. PATENT DOCUMENTS

D429,319 S * 8/2000 Kolada D23/284

OTHER PUBLICATIONS

American Standard, Product Selector & Pricing Guide, Jan., 1993: Lakewell Service Sink SPS 7692, Plaster Work Sink, SPS 9061.*

Undated Kohler catalog ad, p. 191, showing a “Gilford” sink.

Undated Kohler catalog ad, p. 237, showing a “Park Falls” sink.

Undated Eljer catalog ad, p. 1.17, showing a “Carte Blanche” tub.

* cited by examiner

Primary Examiner—Louis S. Zarfes

Assistant Examiner—Robert A. Delehanty

(74) *Attorney, Agent, or Firm*—Quarles & Brady LLP

(57) **CLAIM**

The ornamental design for a sink, as shown and described.

DESCRIPTION

In a preferred embodiment, the nature of this product is as a plumbing fixture primarily useful for various objects.

FIG. 1 is a left, top, front perspective view of a sink embodying our new design;

FIG. 2 is a top plan view thereof;

FIG. 3 is a front elevational view thereof;

FIG. 4 is a left side elevational view thereof, the right side elevational view being a mirror image of the left side shown;

FIG. 5 is a rear elevational view thereof (which is shown for illustration only as this is normally not visible during use or marketing); and,

FIG. 6 is a bottom plan view thereof (which is shown for illustration only as this is normally not visible during use or marketing).

The broken line representations of holes in FIGS. 1–3 and 5–6, and of finishing structure in FIGS. 5 and 6, are for the purpose of illustration only, and form no part of the claimed design.

1 Claim, 3 Drawing Sheets

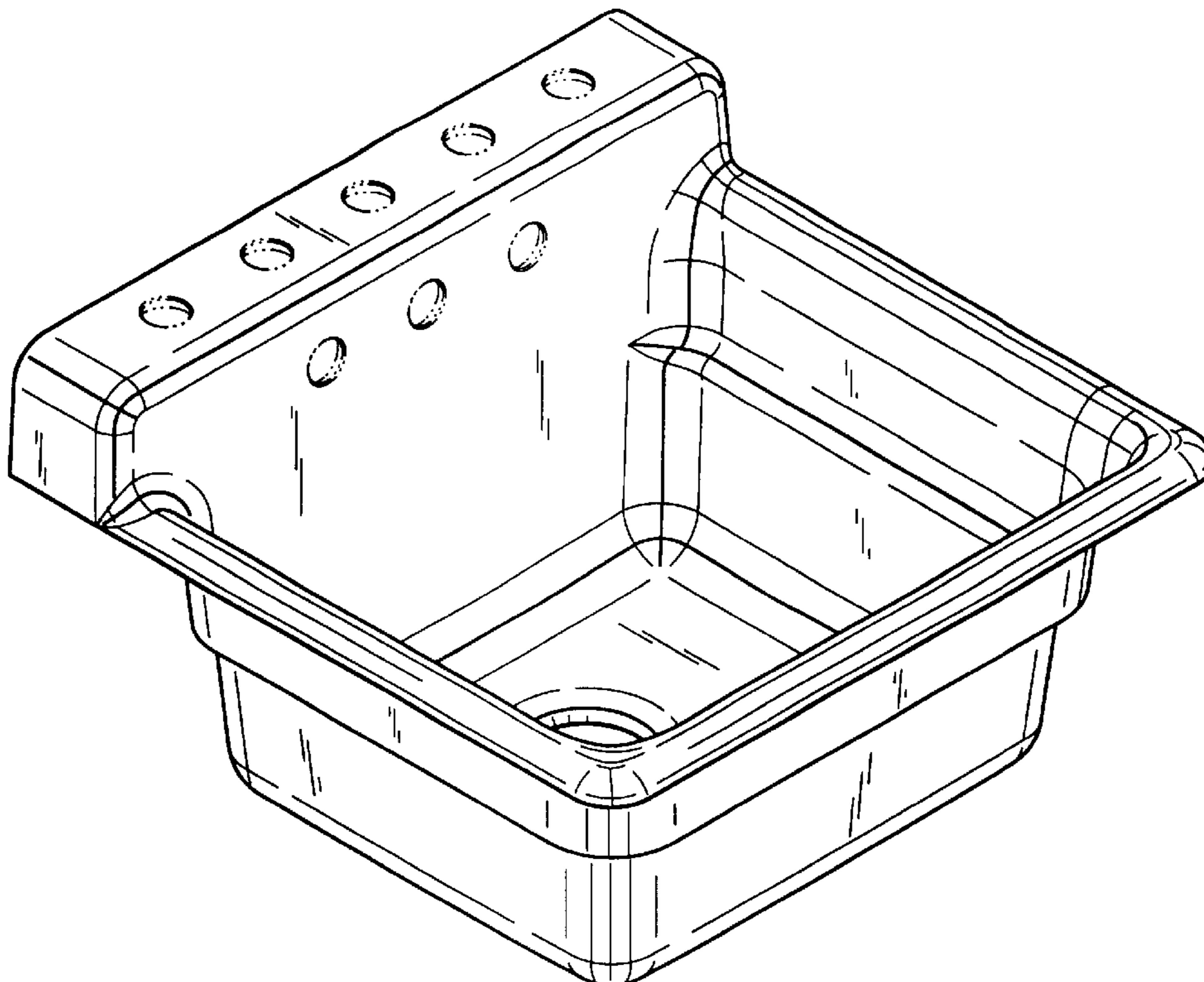


FIG. 1

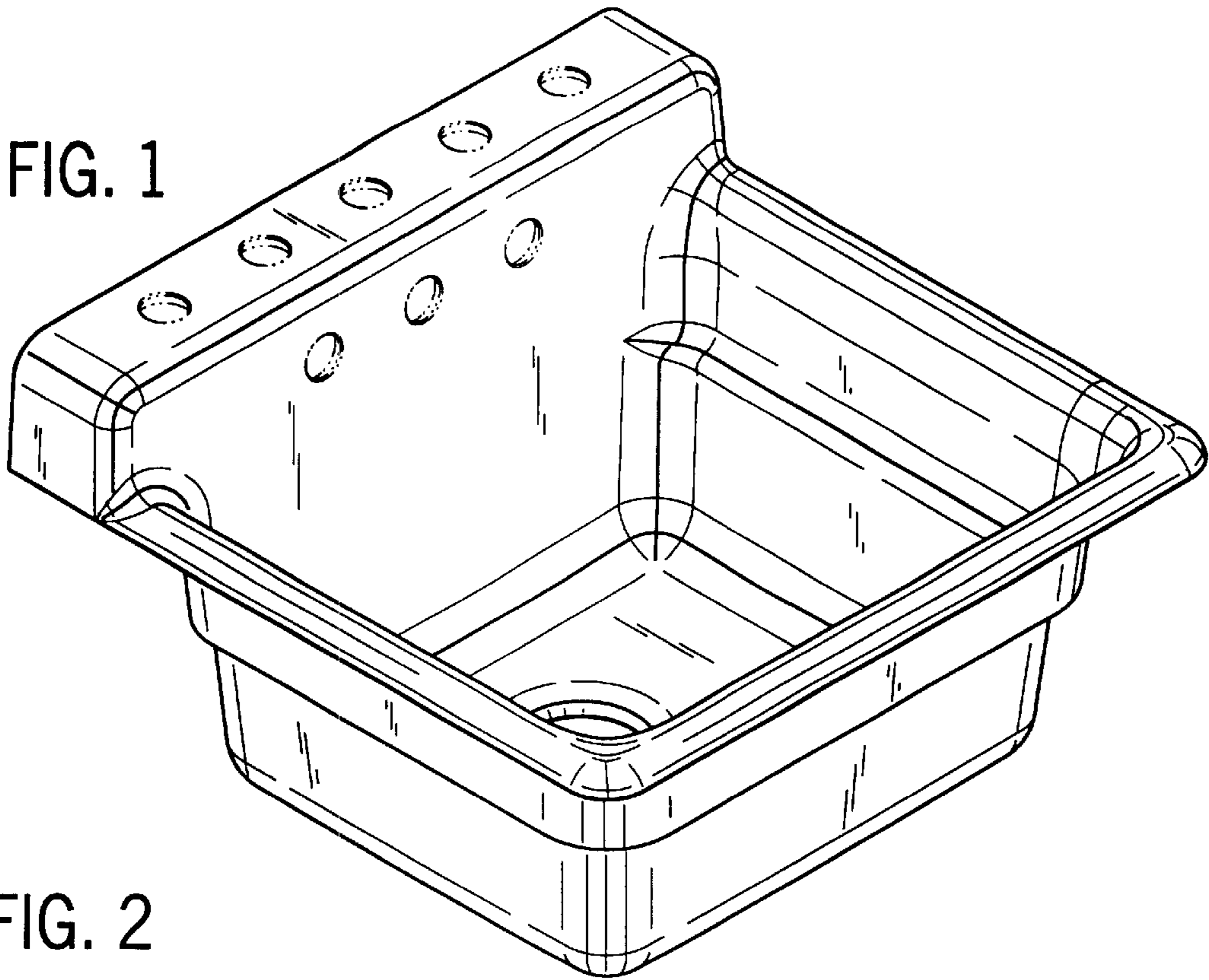


FIG. 2

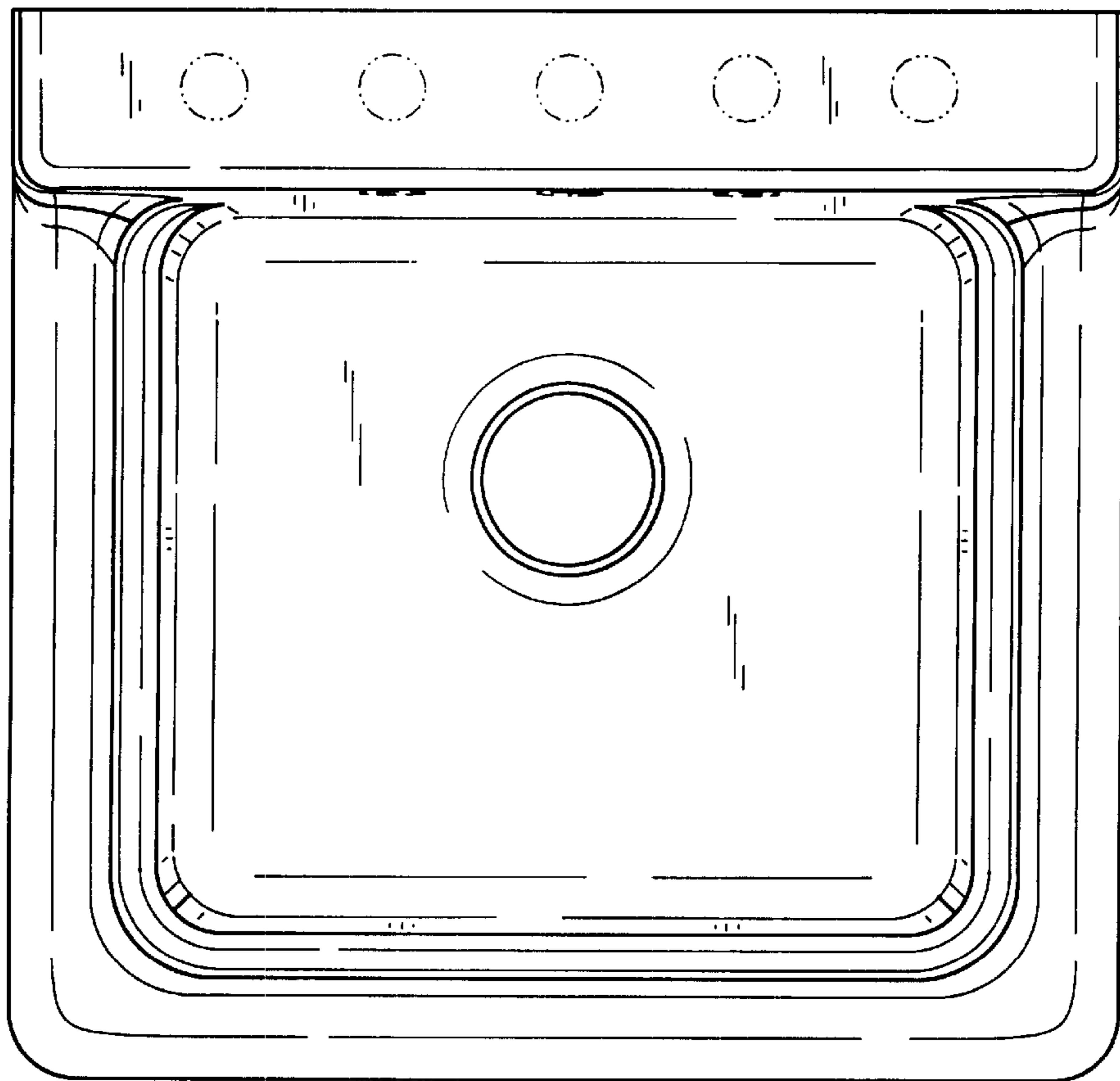


FIG. 3

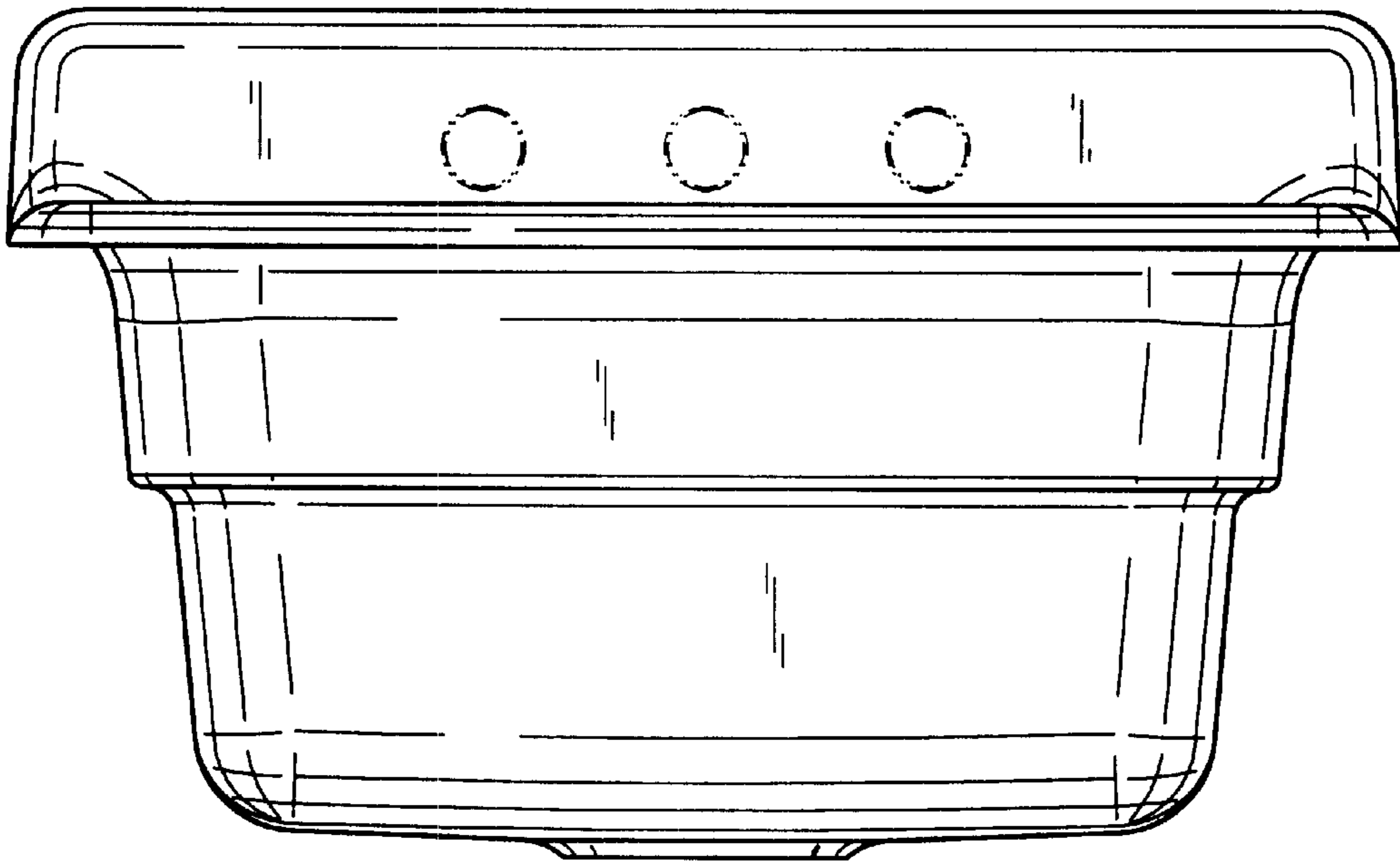


FIG. 4

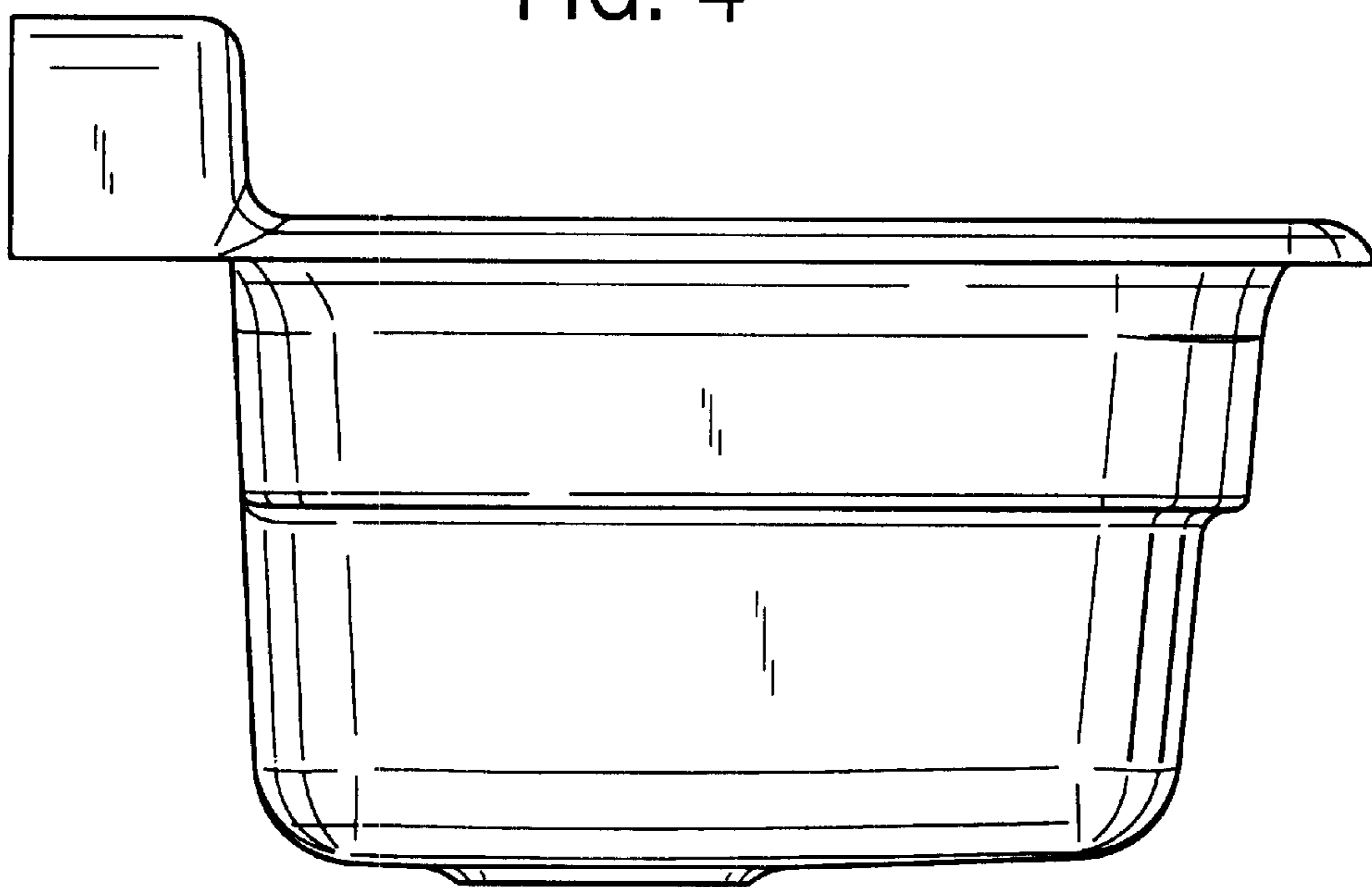


FIG. 5

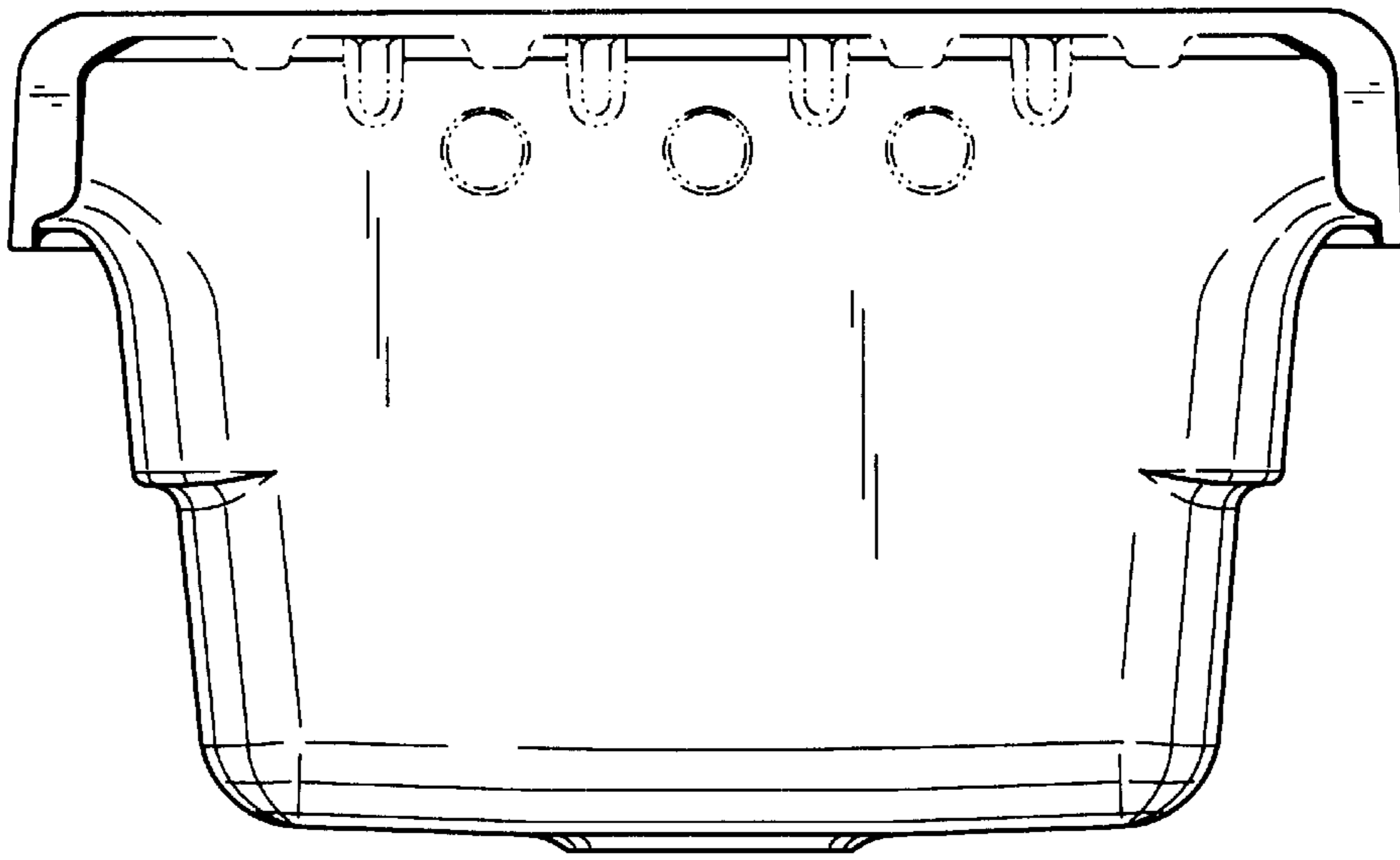


FIG. 6

