



US00D471262S

(12) **United States Design Patent**
Kozu

(10) **Patent No.:** **US D471,262 S**

(45) **Date of Patent:** **** Mar. 4, 2003**

(54) **PLUG OF PIPE COUPLING**

(75) Inventor: **Izumi Kozu**, Tokyo (JP)

(73) Assignee: **Nitto Kohki Co., Ltd.**, Tokyo (JP)

(**) Term: **14 Years**

(21) Appl. No.: **29/164,328**

(22) Filed: **Jul. 24, 2002**

(30) **Foreign Application Priority Data**

Feb. 19, 2002 (JP) 2002-004099

(51) **LOC (7) Cl.** **23-01**

(52) **U.S. Cl.** **D23/262**

(58) **Field of Search** D23/262, 233;
285/34, 35

(56) **References Cited**

U.S. PATENT DOCUMENTS

- D229,417 S * 11/1973 Luckenbill et al. D23/262
- D333,179 S * 2/1993 Mikiya et al. D23/262
- D462,112 S * 8/2002 Kozu et al. D23/262

FOREIGN PATENT DOCUMENTS

- JP 212735 1/1963
- JP 363440 5/1973
- JP 369693 9/1973
- JP 474189 5/1978

- JP 320768 10/1981
- JP 744253 12/1988
- JP 1105140 4/2001

* cited by examiner

Primary Examiner—Robin V. Taylor

(74) *Attorney, Agent, or Firm*—Wenderoth, Lind & Ponack, L.L.P.

(57) **CLAIM**

The ornamental design for a plug of pipe coupling, as shown and described.

DESCRIPTION

FIG. 1 is a perspective view of a plug of pipe coupling when seen from the top and right side of the back, showing my new design;

FIG. 2 is a front elevational view thereof;

FIG. 3 is a left side elevational view thereof;

FIG. 4 is a right side elevational view thereof;

FIG. 5 is a top plan view thereof;

FIG. 6 is a cross section taken across FIG. 4 along line VI—VI; and,

FIG. 7 is a cross section taken across FIG. 2 along line VII—VII.

A rear elevational view is omitted as it appears symmetrical with the front elevational view. A bottom plan view is omitted as it appears to be the same as the top plan view.

1 Claim, 4 Drawing Sheets

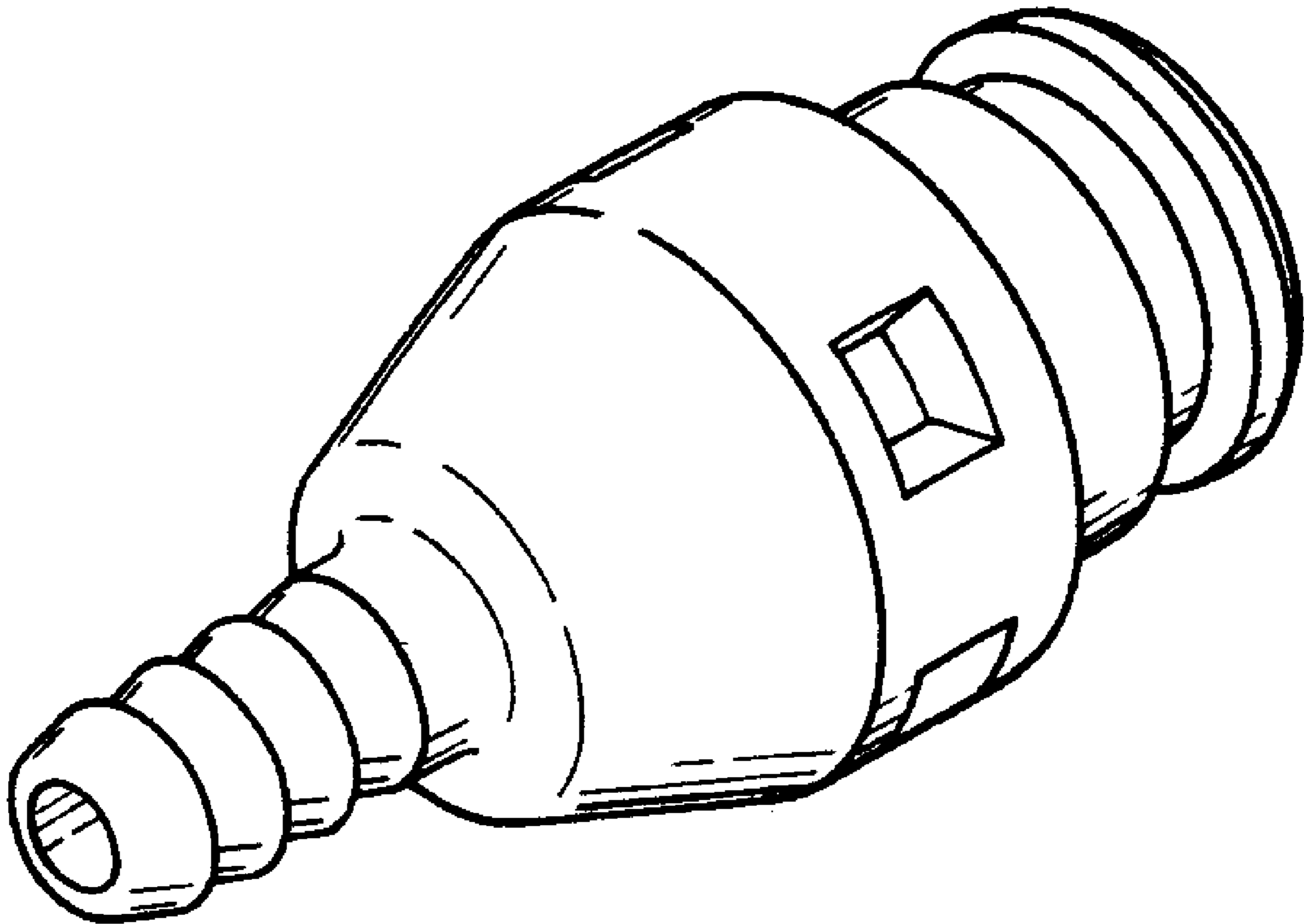


FIG. 1

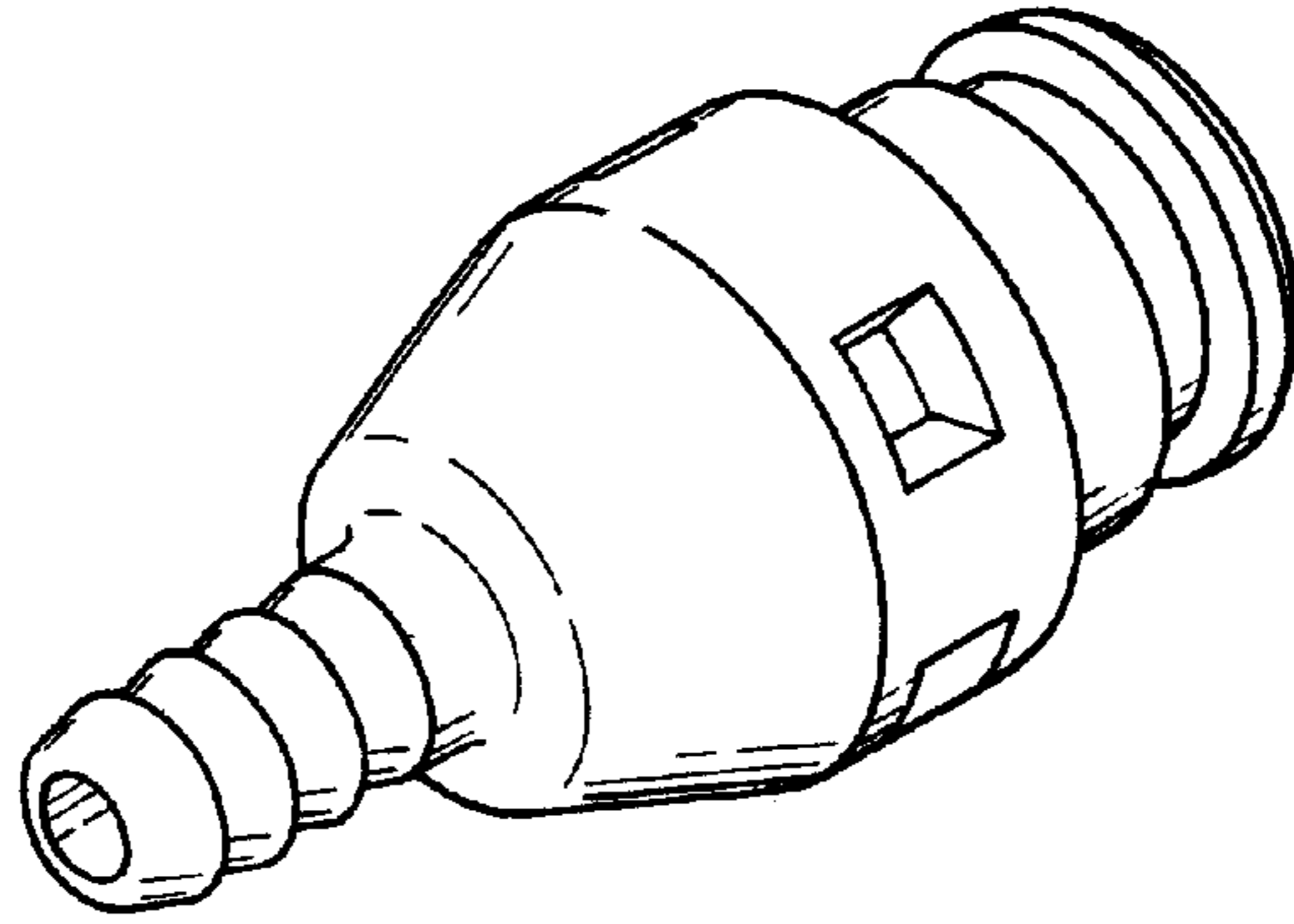


FIG. 2

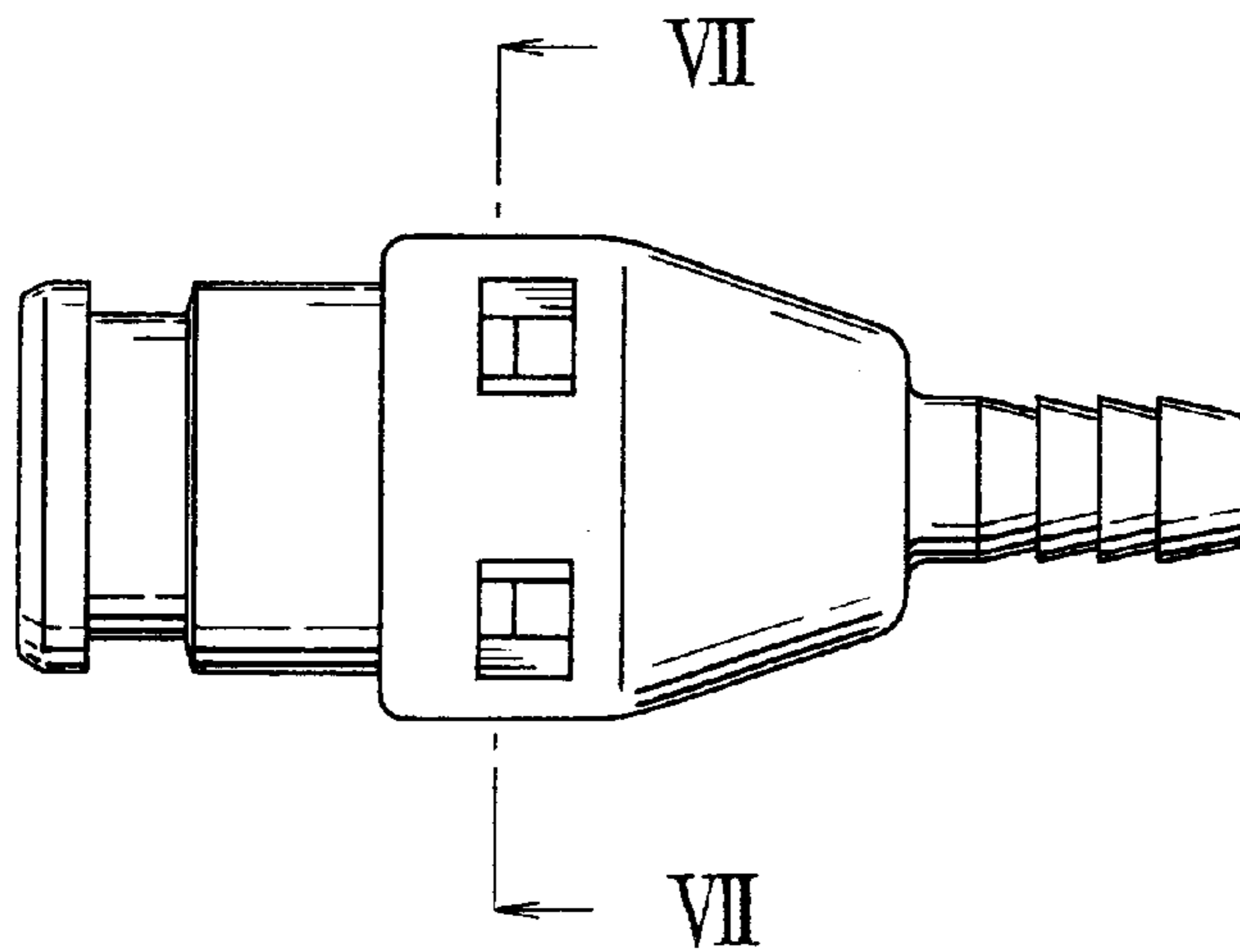


FIG. 3

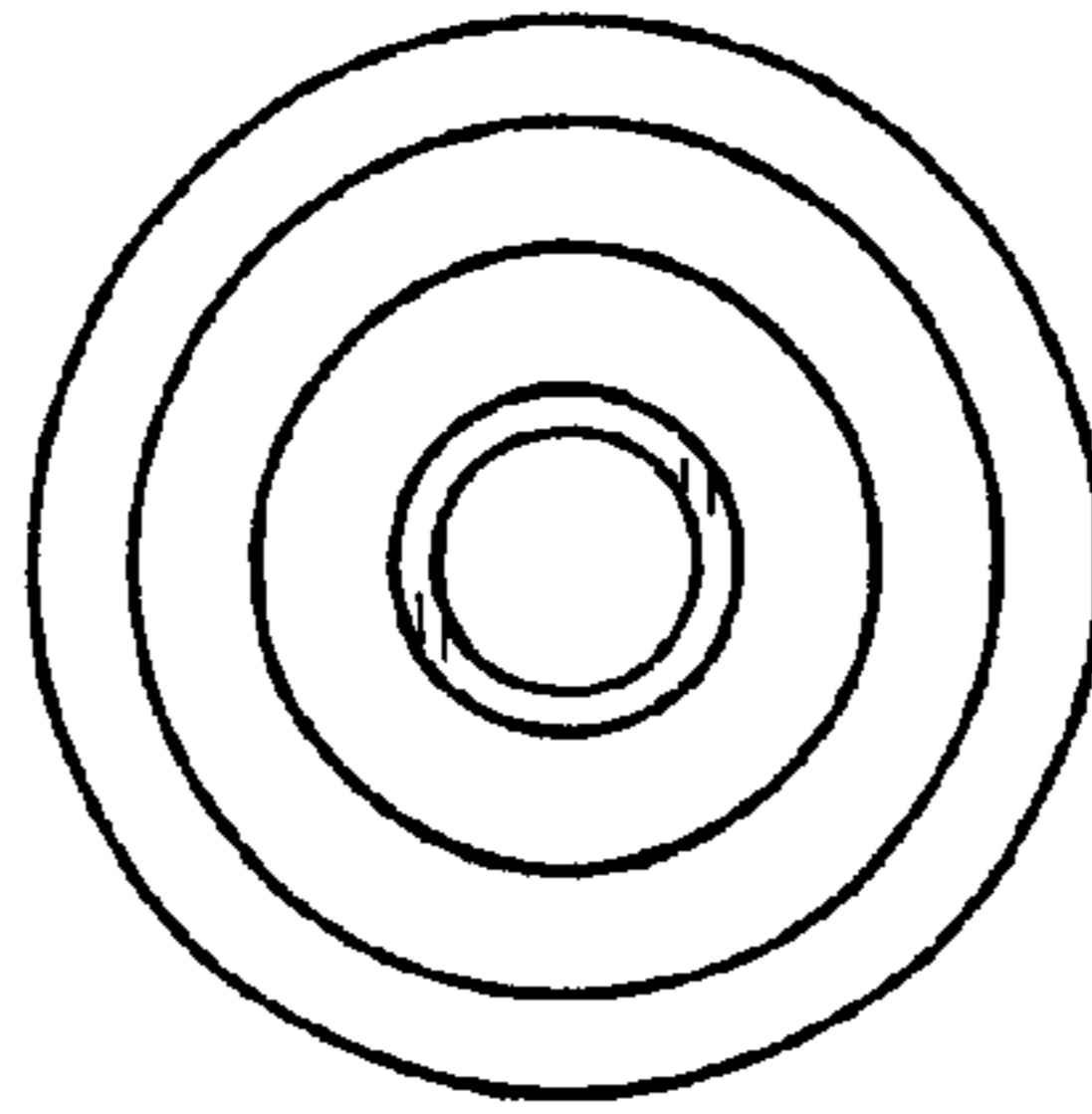


FIG. 4

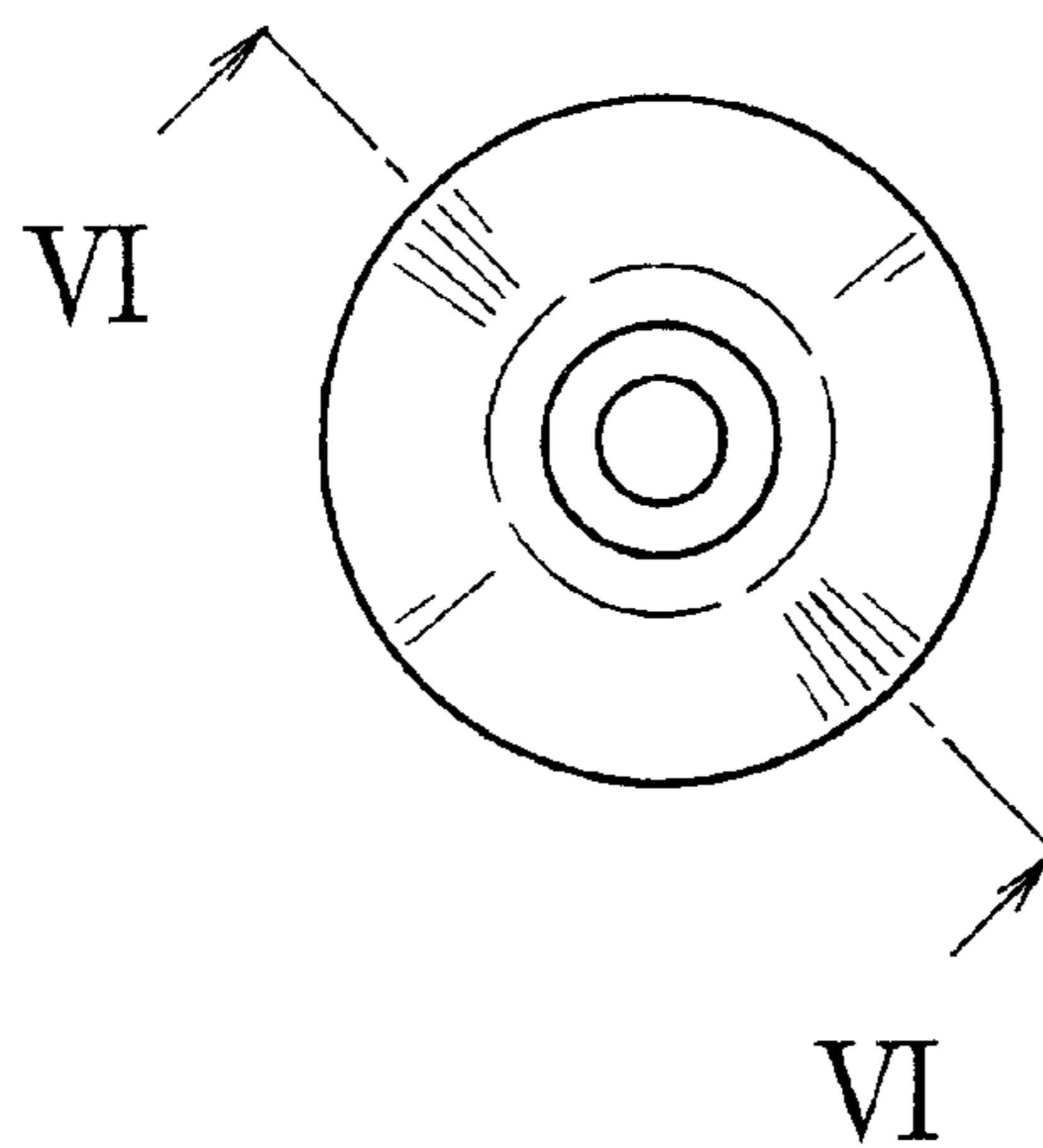


FIG. 5

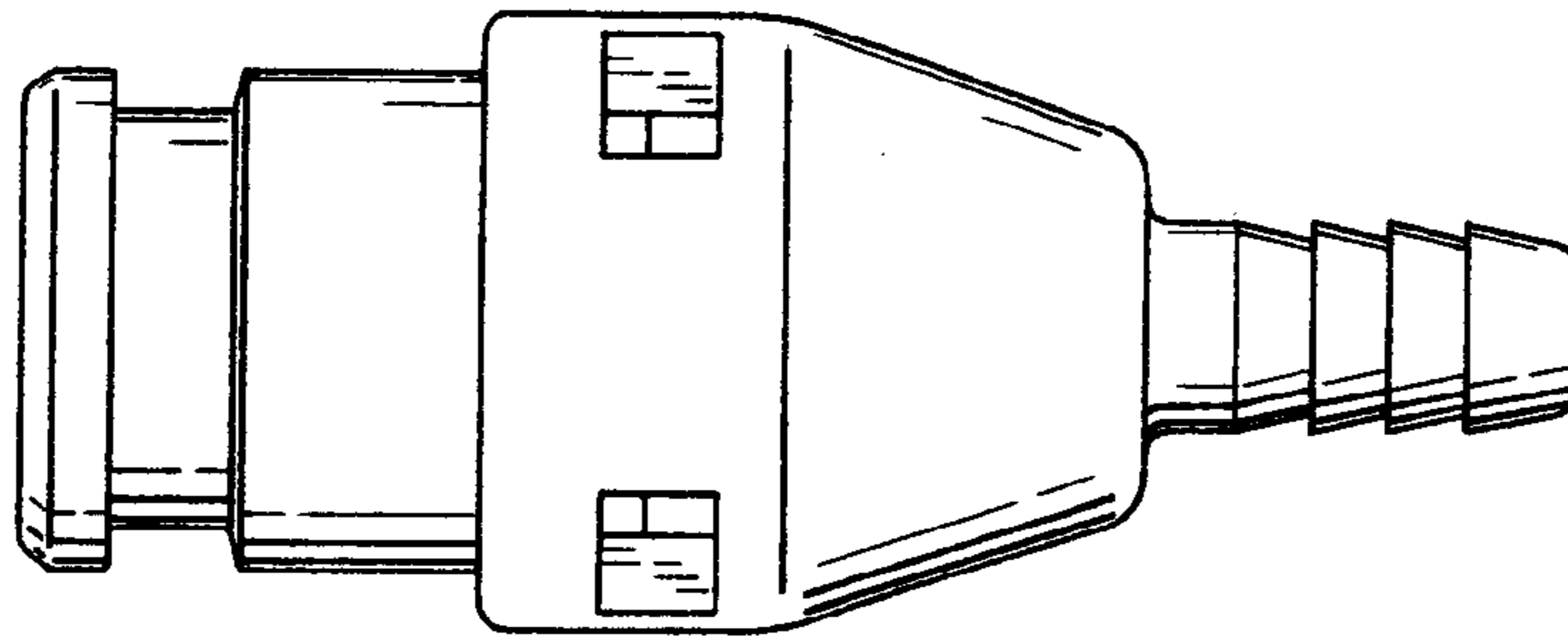


FIG. 6

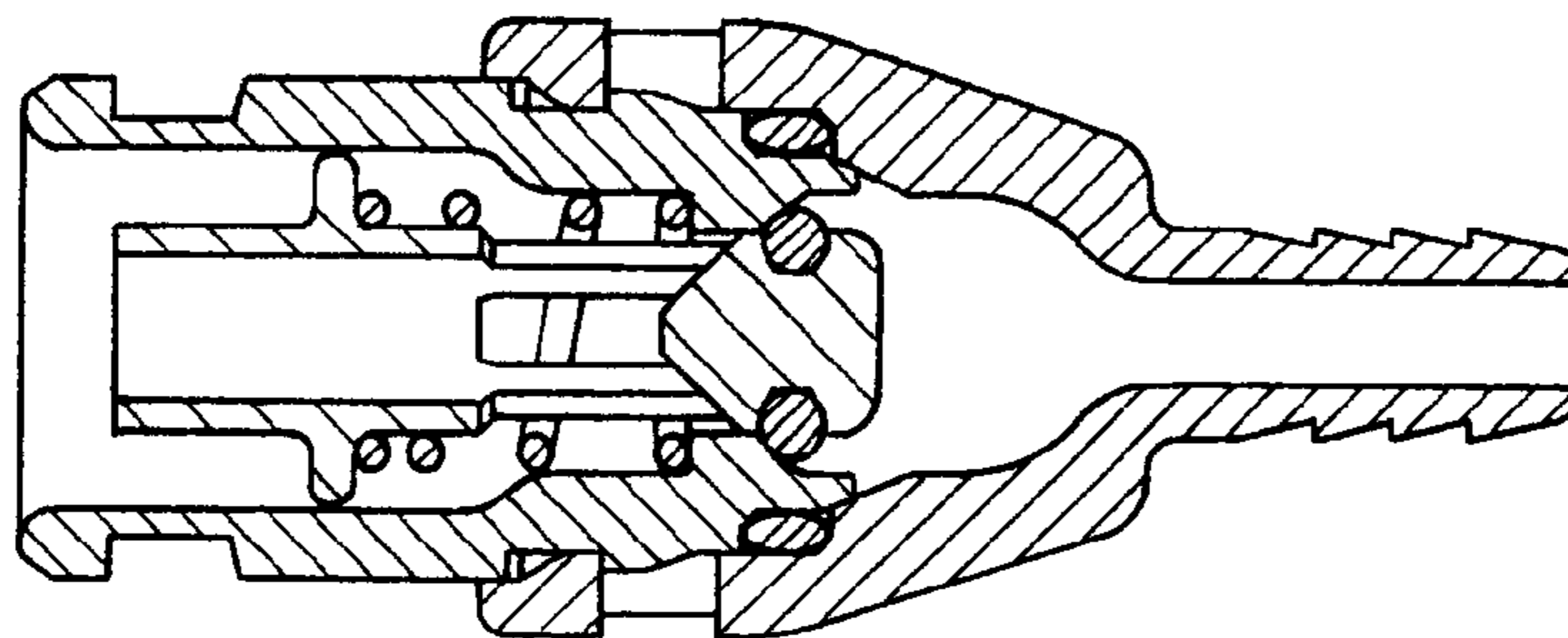


FIG. 7

