



US00D471257S

(12) **United States Design Patent**
Smith

(10) **Patent No.:** **US D471,257 S**

(45) **Date of Patent:** **** Mar. 4, 2003**

(54) **HANDLE**

(75) Inventor: **Michael S. Smith**, Santa Monica, CA (US)

(73) Assignee: **Kallista, Inc.**, Kohler, WI (US)

(**) Term: **14 Years**

(21) Appl. No.: **29/154,792**

(22) Filed: **Jan. 29, 2002**

(51) **LOC (7) Cl.** **23-01**

(52) **U.S. Cl.** **D23/252**

(58) **Field of Search** D23/238-243,
D23/250-257; D8/300, 308, 315, DIG. 10;
16/117-119, 110 R

(56) **References Cited**

U.S. PATENT DOCUMENTS

D20,552 S	*	3/1891	Schmidt	D8/308
D261,857 S	*	11/1981	Valli	D8/308
D331,004 S	*	11/1992	Birch	D8/308
D385,954 S	*	11/1997	Hundley et al.	D23/252
D434,113 S	*	11/2000	Lord	D23/250

* cited by examiner

Primary Examiner—Louis S. Zarfaz
Assistant Examiner—Gregory Andoll

(74) *Attorney, Agent, or Firm*—Quarles & Brady LLP

(57) **CLAIM**

The ornamental design for a handle, as shown and described.

DESCRIPTION

In a preferred embodiment, the nature of this product is as a plumbing handle and escutcheon which is primarily useful for controlling a rotatable valve stem.

FIG. 1 is a left, top, front, perspective view of a handle embodying my new design;

FIG. 2 is a front elevational view thereof;

FIG. 3 is a top plan view thereof;

FIG. 4 is a left side elevational view thereof;

FIG. 5 is a right side elevational view thereof;

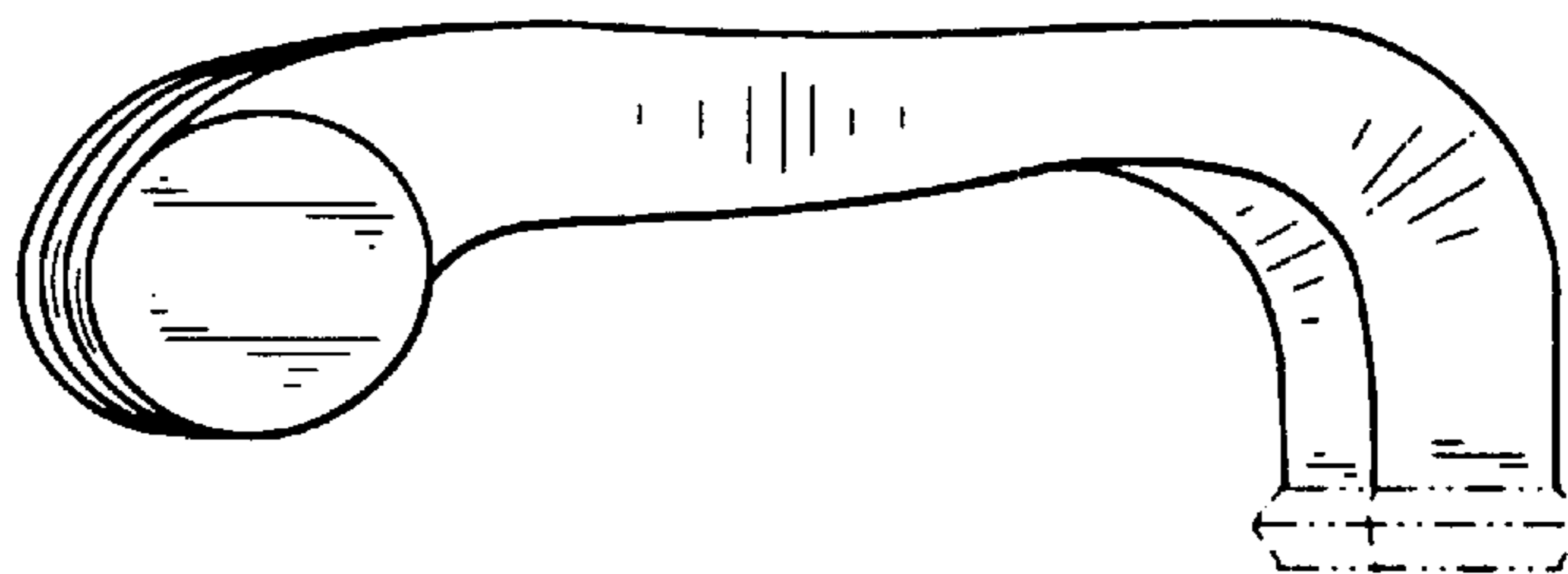
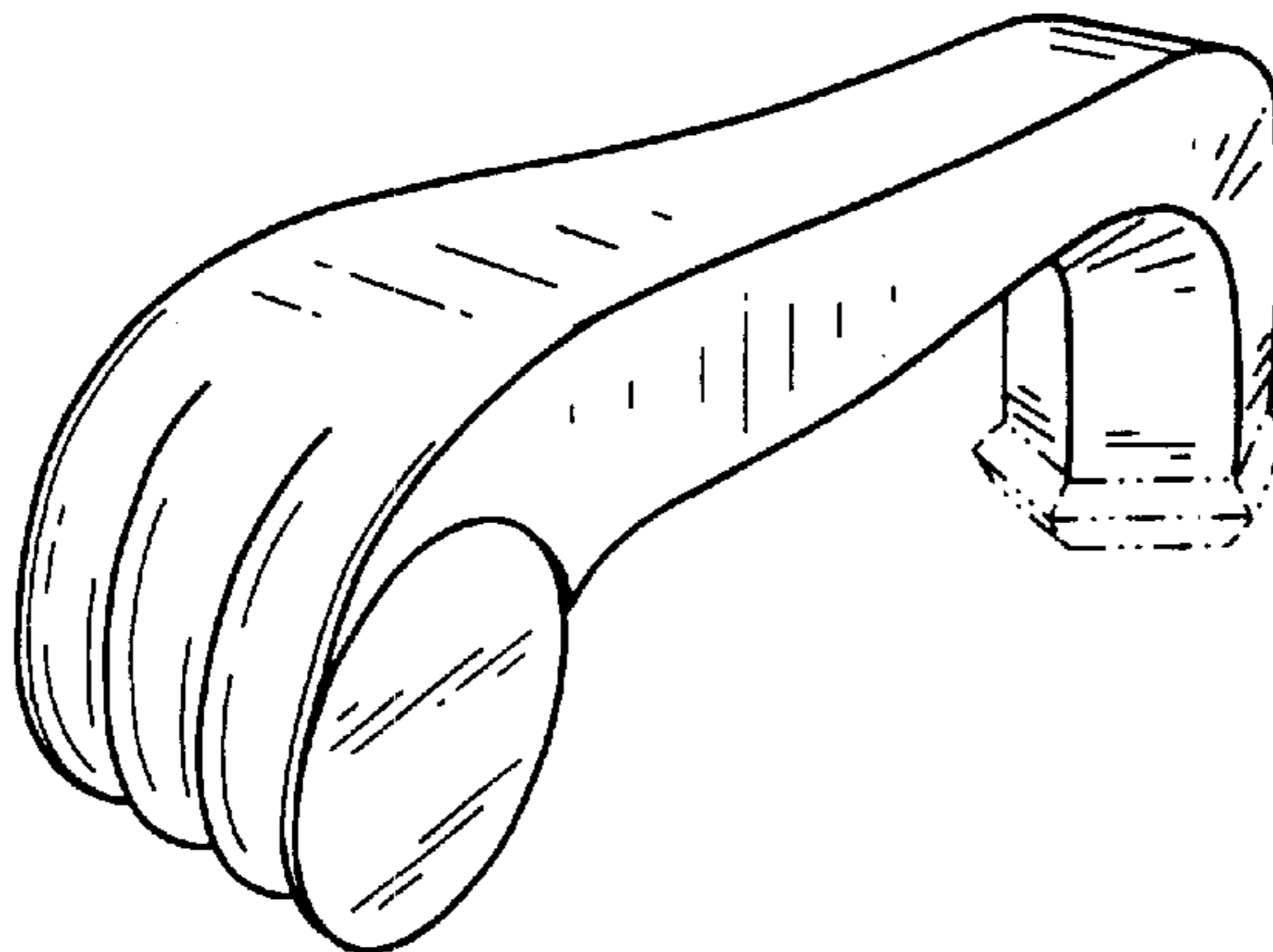
FIG. 6 is a elevational view thereof;

FIG. 7 is a bottom plan view thereof; and,

FIG. 8 is a top plan view of a second embodiment, the front elevational view being a mirror image of that shown in FIG. 2, the right side elevational view being a mirror image of that shown in FIG. 4, the left side elevational view being a mirror image of that shown in FIG. 5, the rear elevational view being a mirror image of that shown in FIG. 6, and the bottom plan view being a mirror image of that shown in FIG. 7.

The broken line representations of mounting structure in FIG. 7, and of a collar in FIGS. 1-8, are for the purpose of illustration only, and form no part of the claimed design.

1 Claim, 2 Drawing Sheets



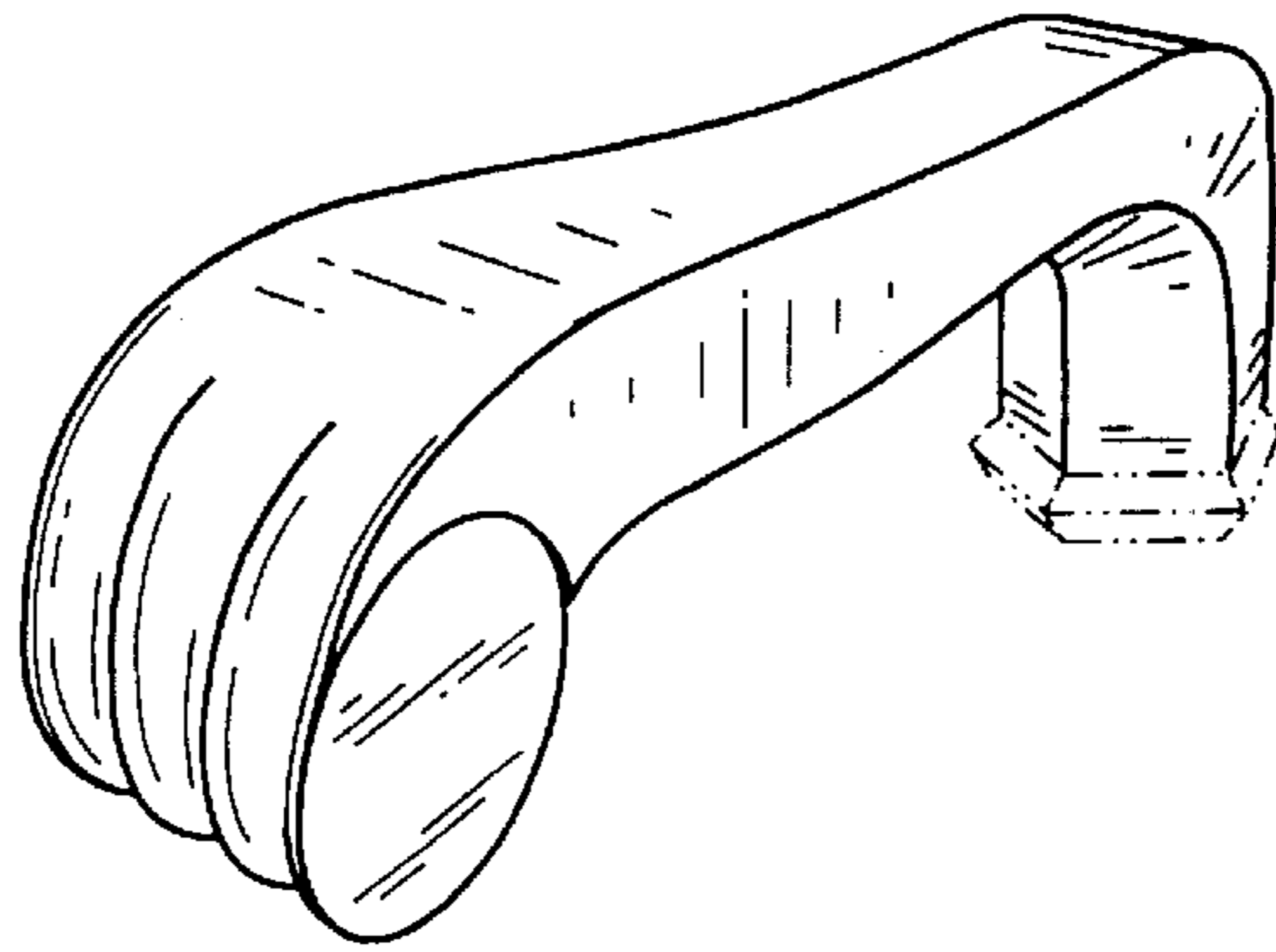


FIG. 1

FIG. 2

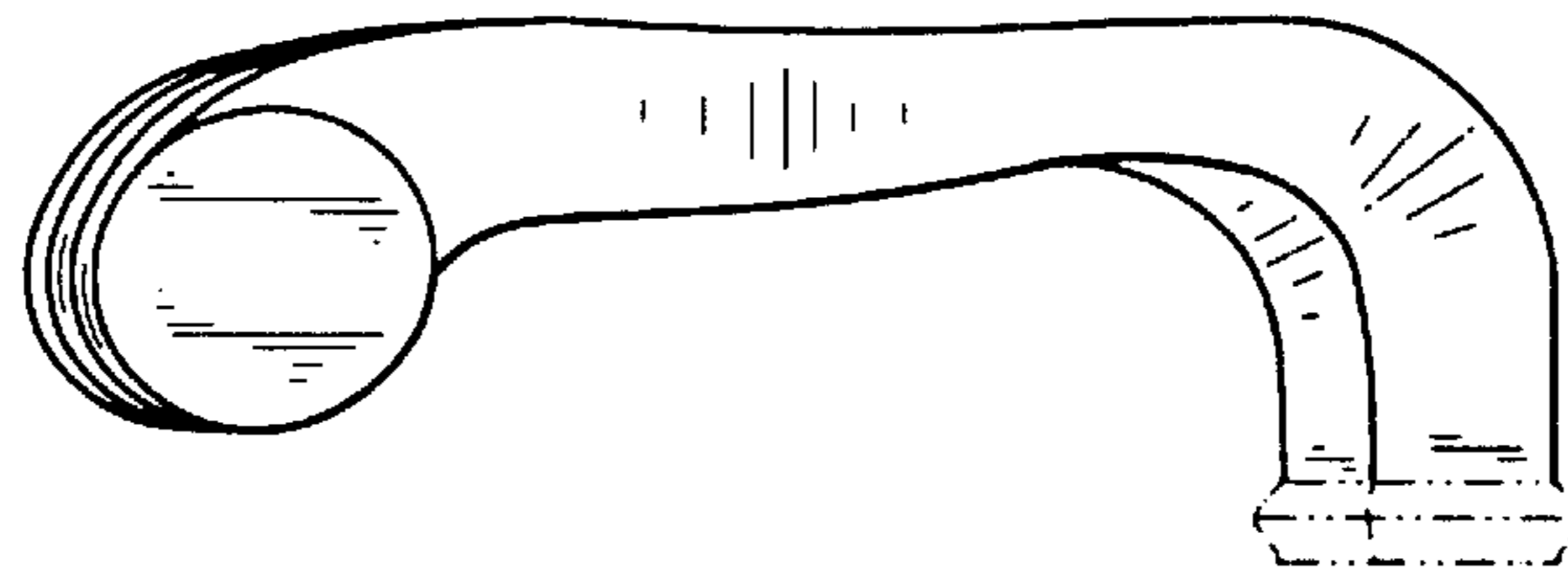


FIG. 3



FIG. 4

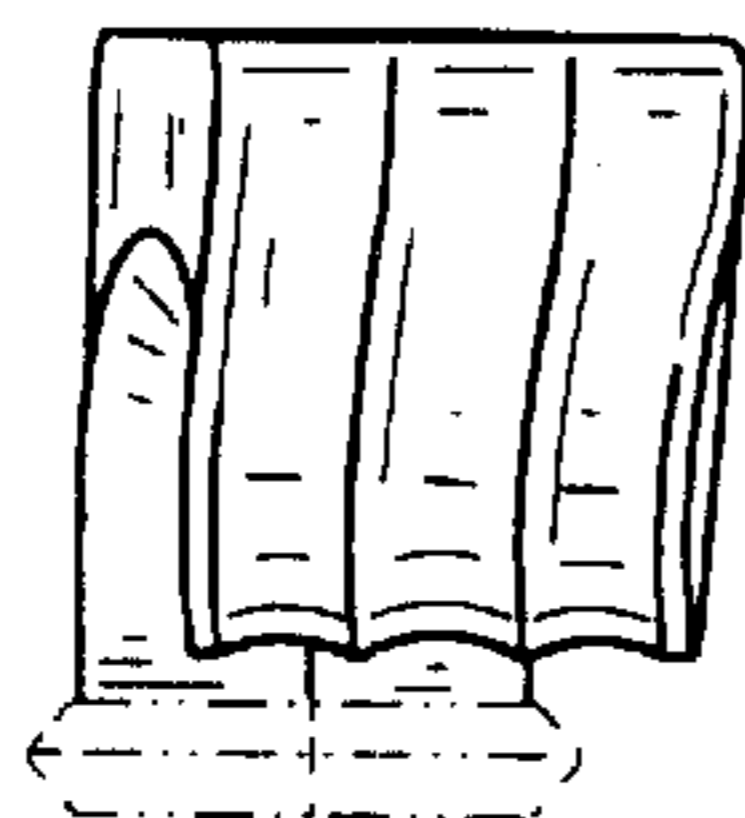


FIG. 5

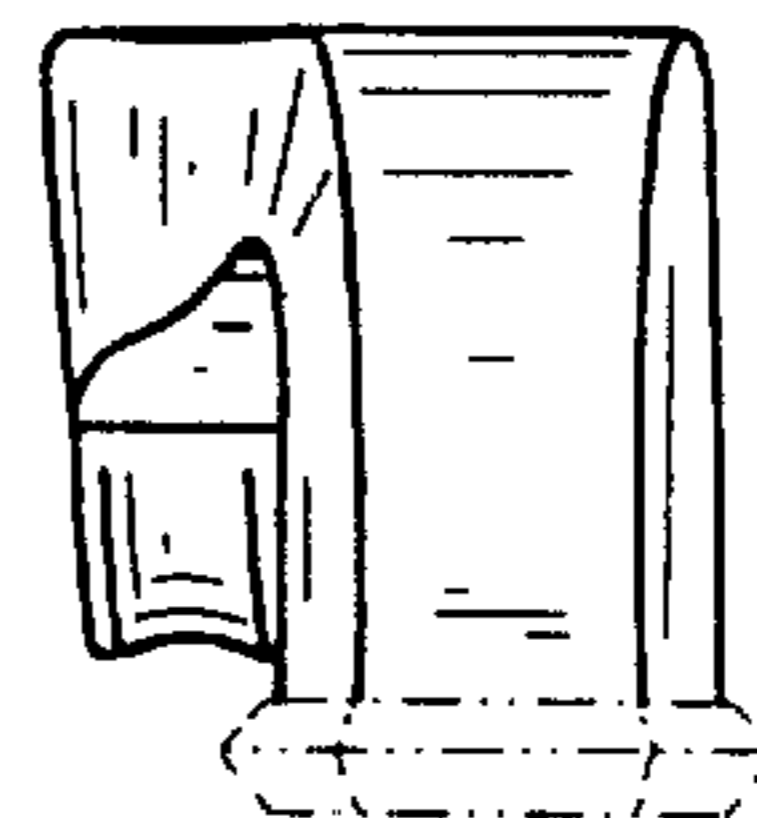


FIG. 6



FIG. 7

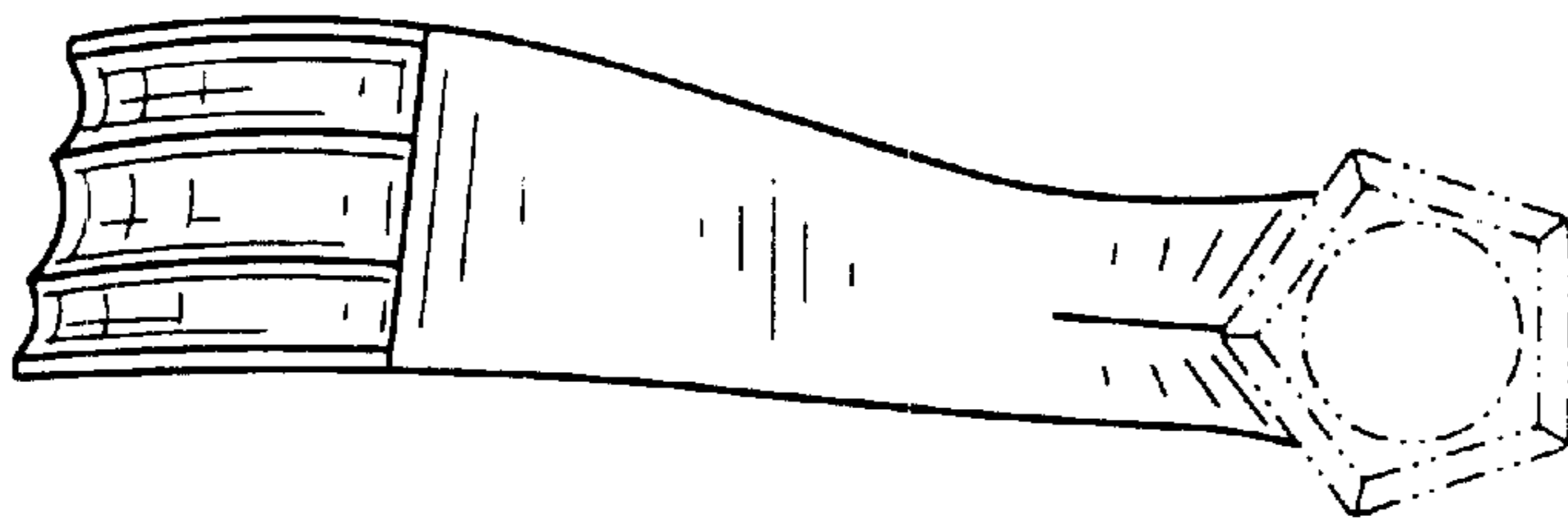


FIG. 8

