



US00D471253S

(12) **United States Design Patent**
Tse

(10) **Patent No.:** **US D471,253 S**

(45) **Date of Patent:** **** Mar. 4, 2003**

(54) **SHOWER HEAD**

D443,028 S * 5/2001 Kollmann et al. D23/229

(75) Inventor: **Hing Fai Tse**, Hong Kong (HK)

* cited by examiner

(73) Assignee: **Brand New Technology Limited** (HK)

Primary Examiner—Robin V. Taylor

(**) Term: **14 Years**

(74) *Attorney, Agent, or Firm*—Jackson Walker L.L.P.

(21) Appl. No.: **29/162,052**

(22) Filed: **Jun. 7, 2002**

(51) **LOC (7) Cl.** **23-01**

(52) **U.S. Cl.** **D23/229**

(58) **Field of Search** D23/213, 229,
D23/230; 239/282, 283, 548

(57) **CLAIM**

The ornamental design for a shower head, as shown and described.

DESCRIPTION

FIG. 1 is a front elevational view of a shower head showing my new design;

FIG. 2 is a rear elevational view thereof;

FIG. 3 is a left side elevational view thereof;

FIG. 4 is a right side elevational view thereof;

FIG. 5 is a top end view thereof; and,

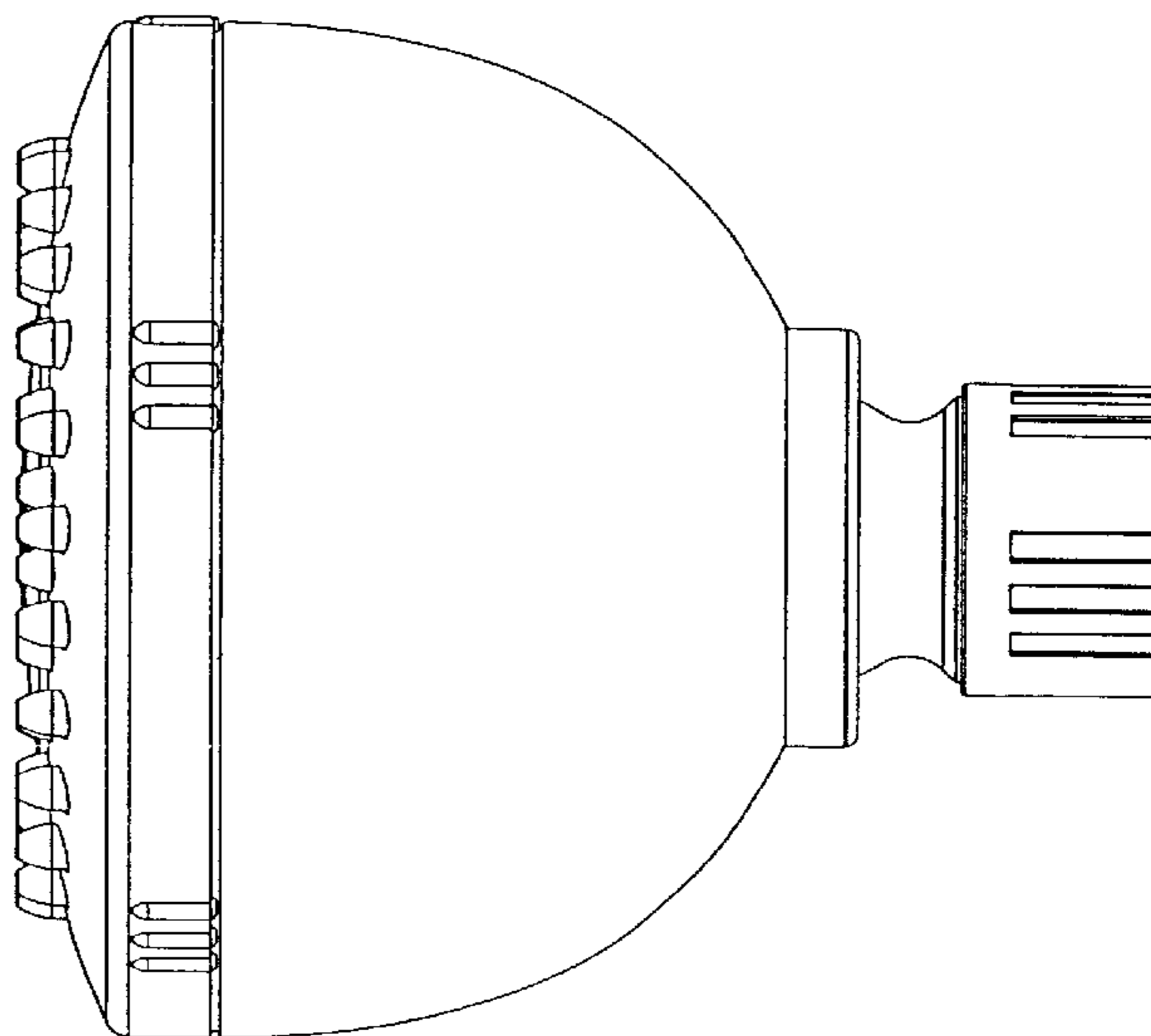
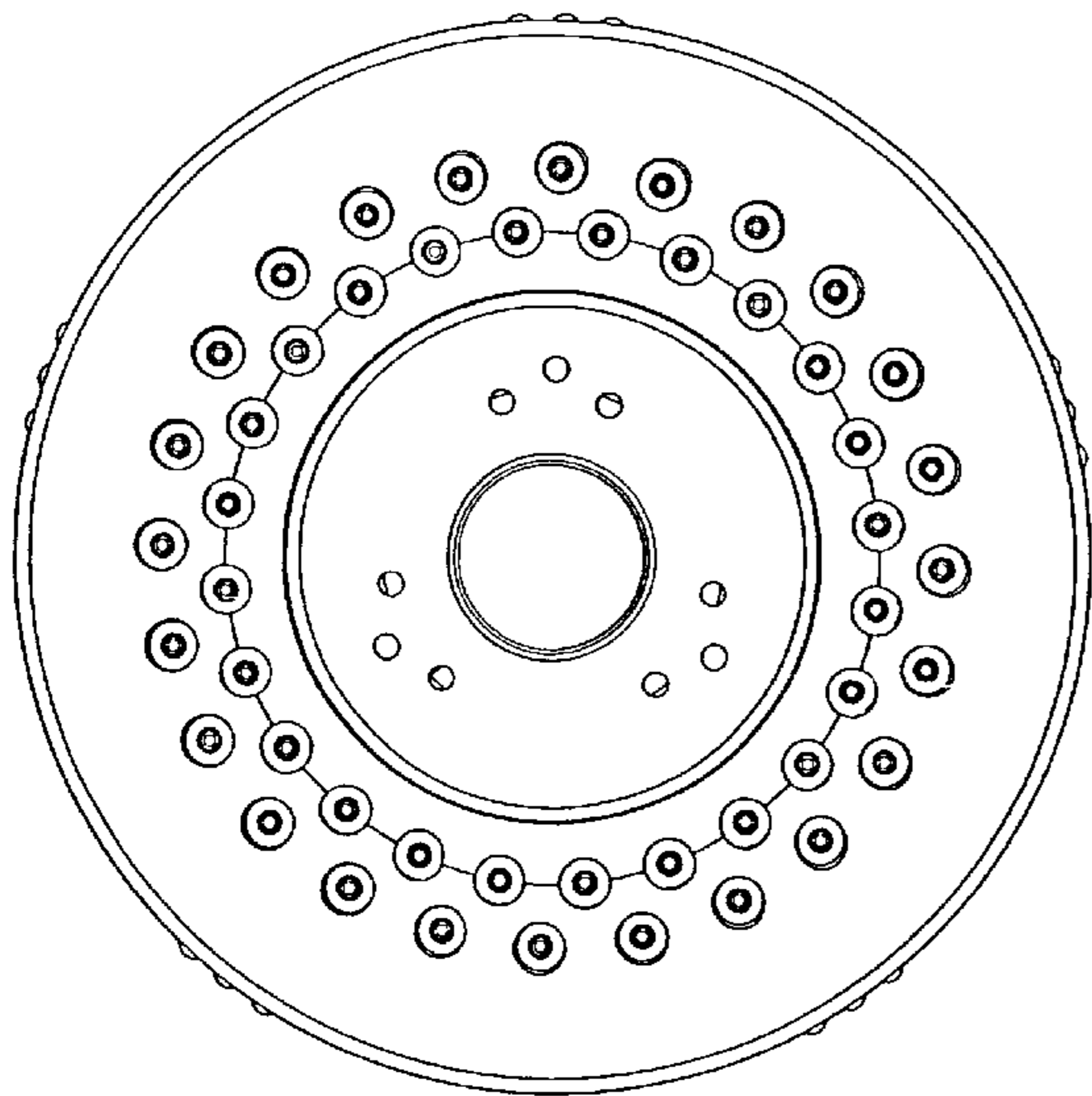
FIG. 6 is a bottom end view thereof.

(56) **References Cited**

U.S. PATENT DOCUMENTS

- D347,260 S * 5/1994 Ben-zur D23/213
- D375,541 S * 11/1996 Michaluk D23/213
- D433,100 S * 10/2000 Chan D23/229

1 Claim, 3 Drawing Sheets



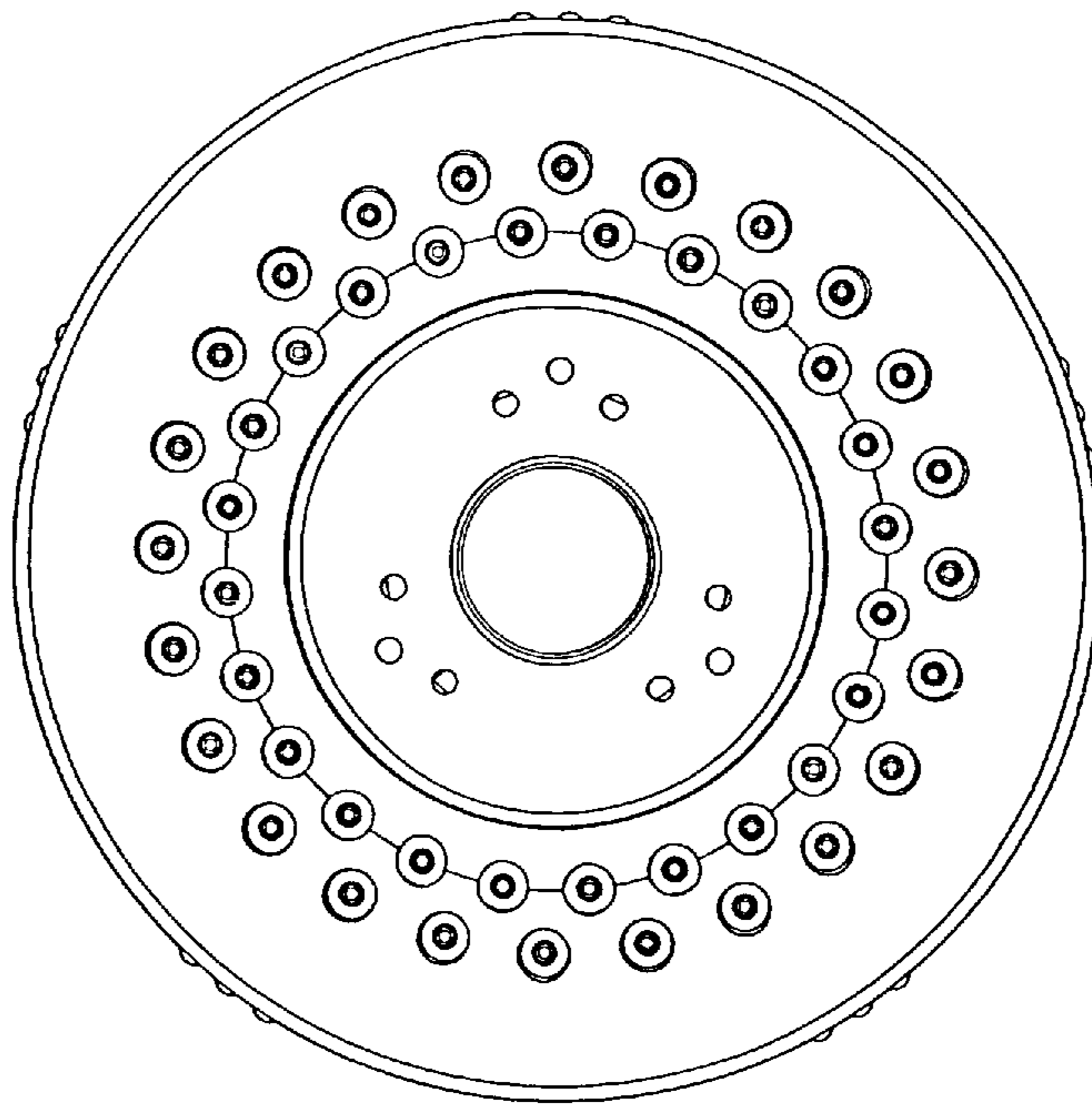


FIG. 1

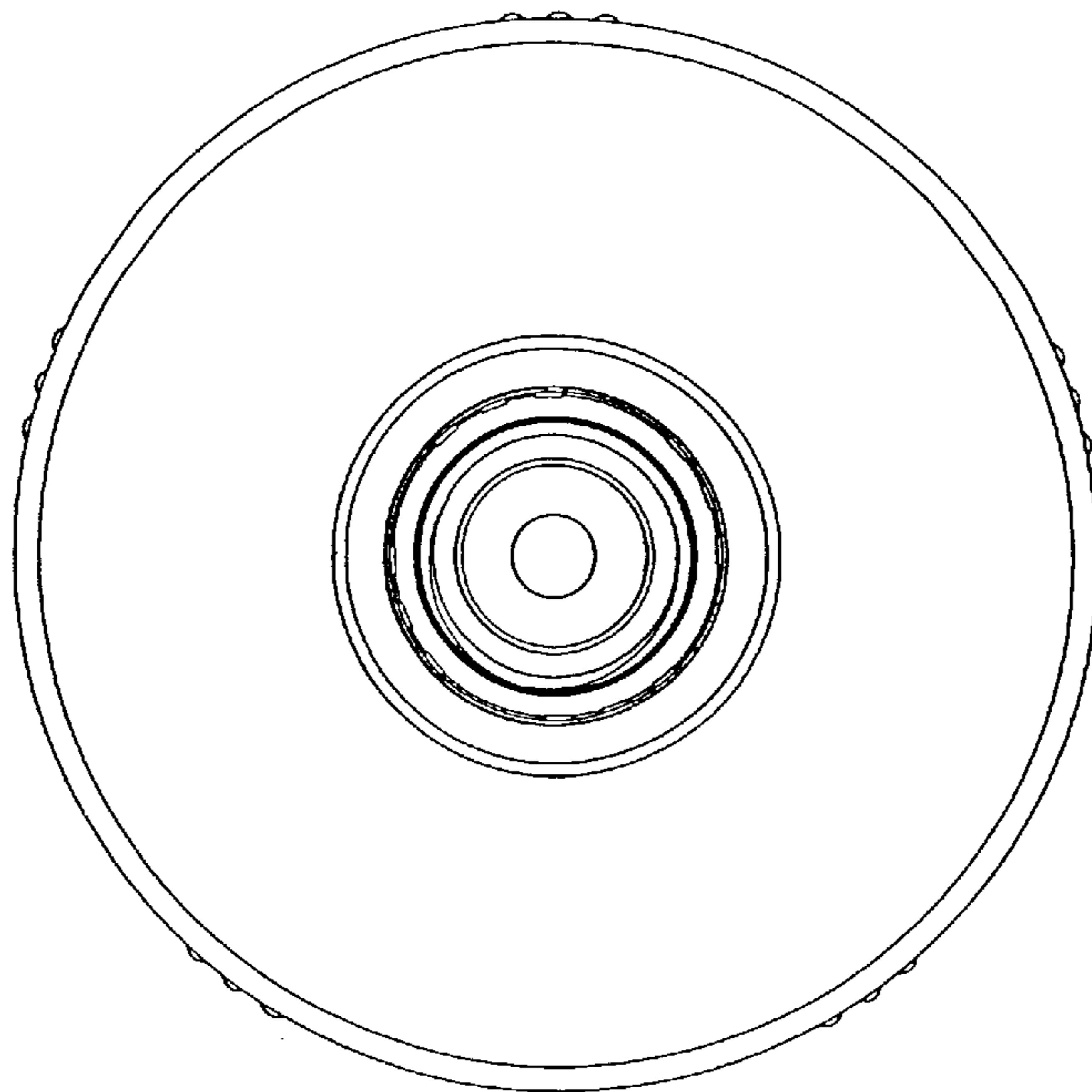


FIG. 2

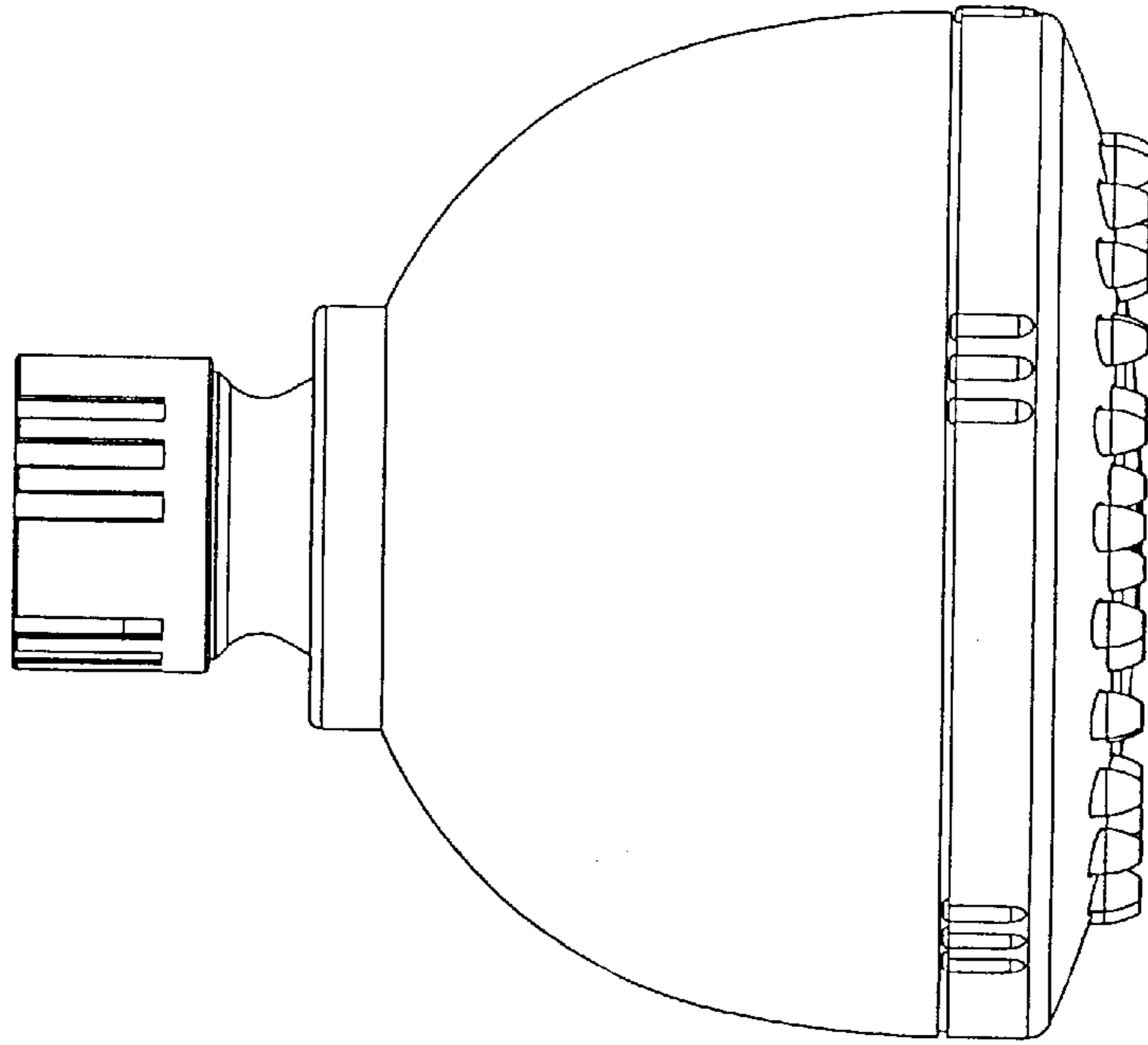


FIG. 3

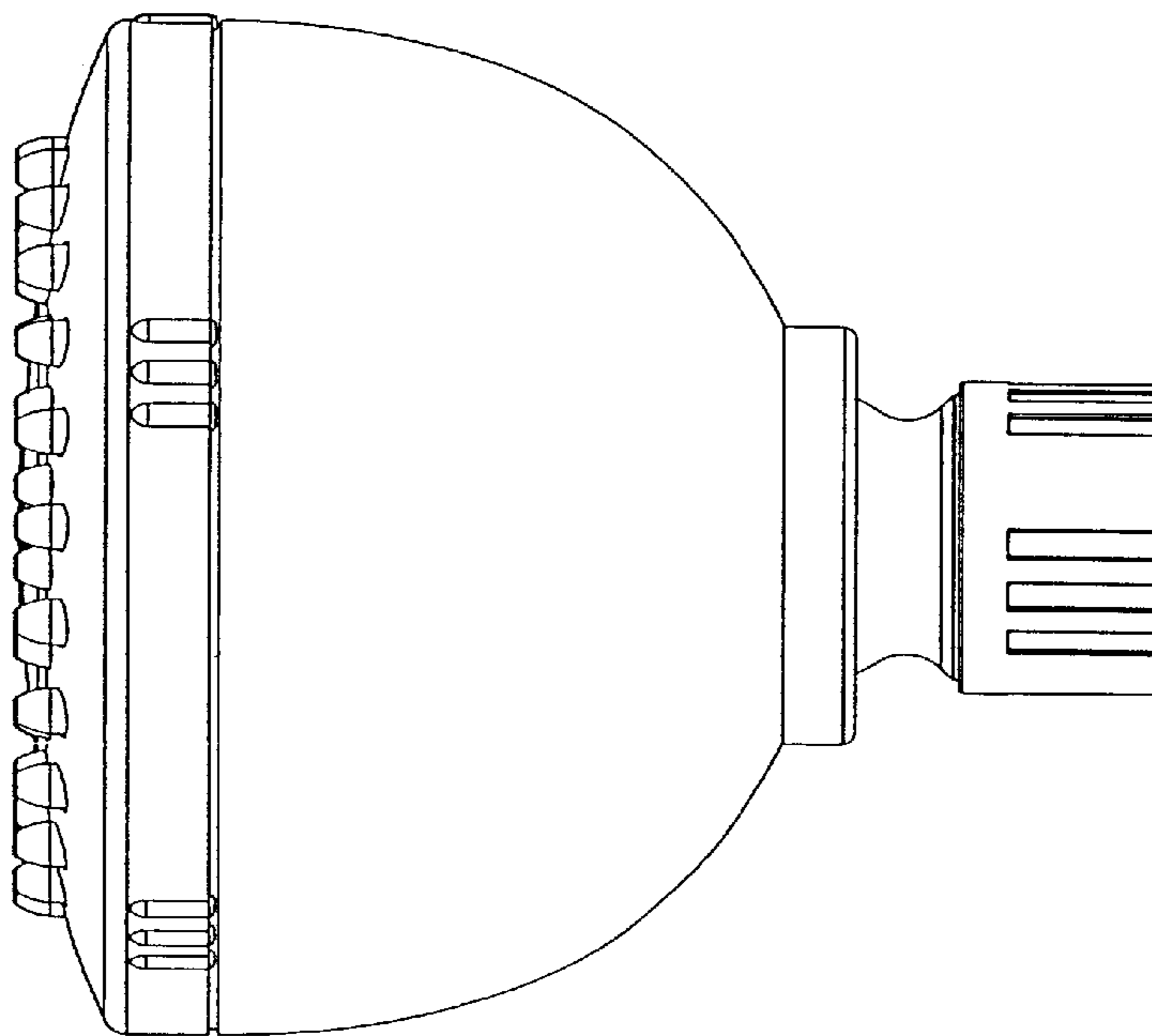


FIG. 4

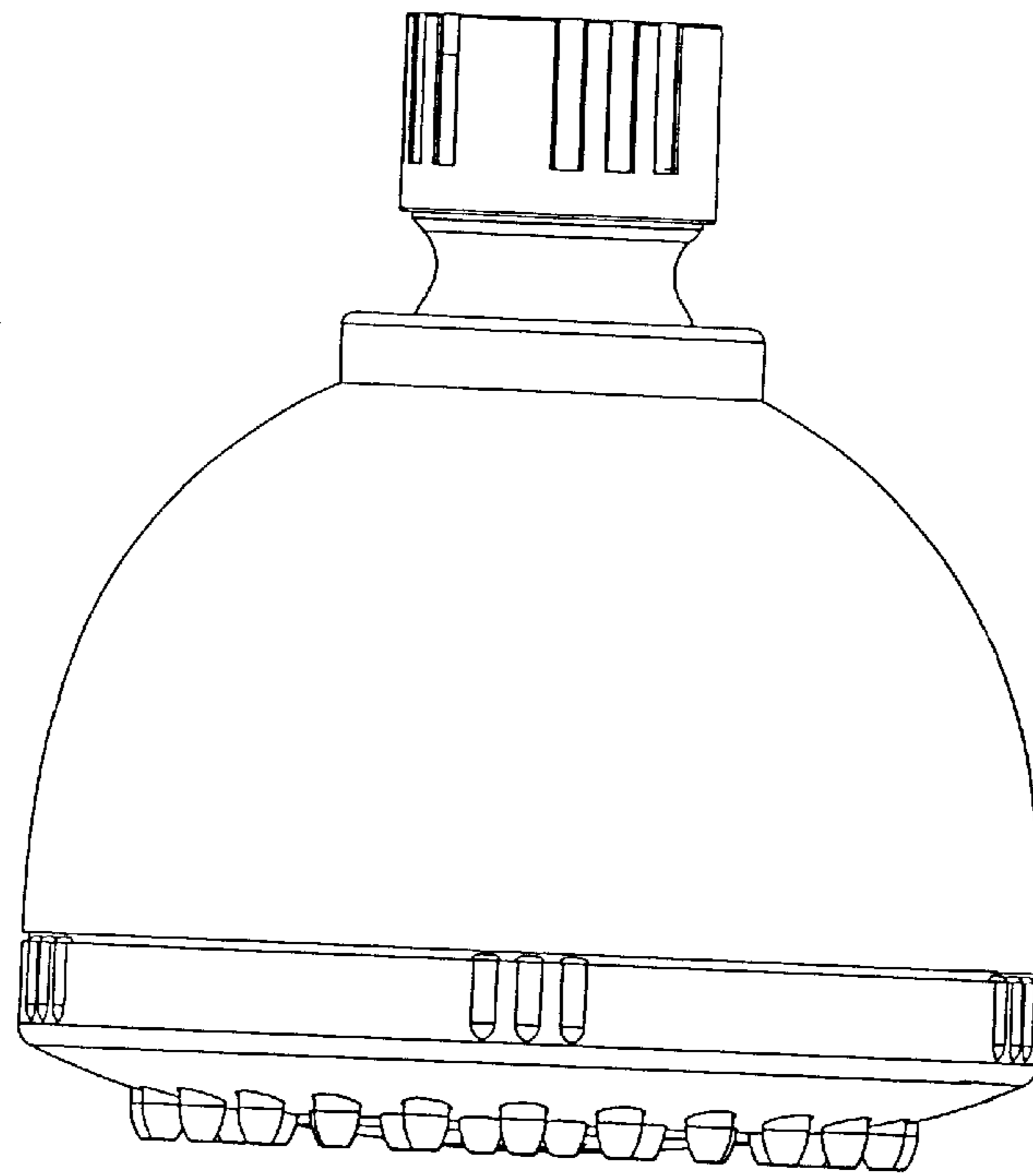


FIG. 5

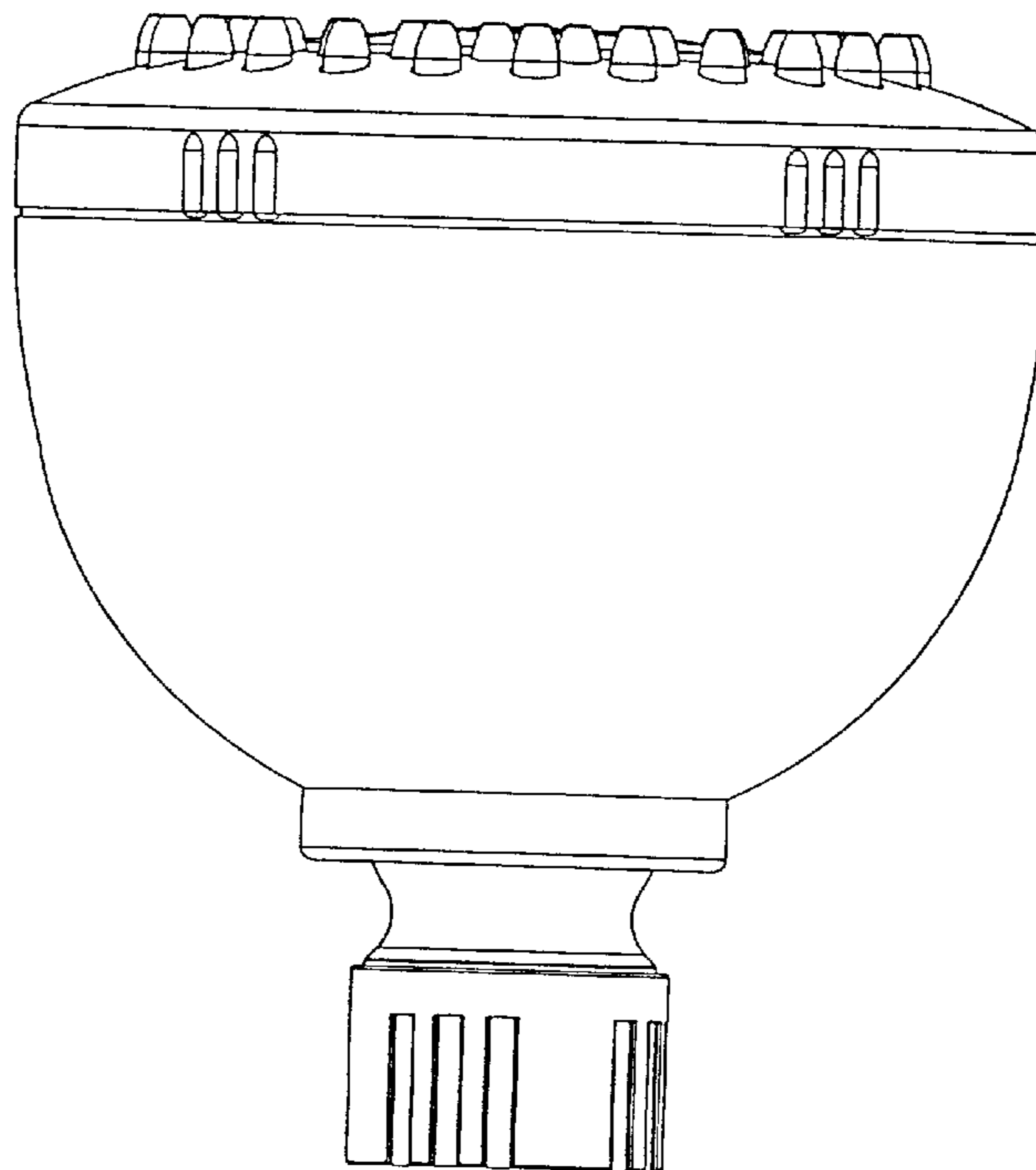


FIG. 6