



US00D471252S

(12) **United States Design Patent**  
**Jeng**

(10) **Patent No.:** **US D471,252 S**

(45) **Date of Patent:** **\*\* Mar. 4, 2003**

(54) **SPRAYER GUN**

D441,833 S \* 5/2001 Haas ..... D23/226

(76) **Inventor:** **Yu Wen Jeng**, P.O. Box 63-99,  
Taichung 406 (TW)

\* cited by examiner

*Primary Examiner*—Robin V. Taylor

(\*\*) **Term:** **14 Years**

(57) **CLAIM**

(21) **Appl. No.:** **29/164,212**

The ornamental design for a sprayer gun, as shown and described.

(22) **Filed:** **Jul. 17, 2002**

**DESCRIPTION**

(51) **LOC (7) Cl.** ..... **23-01**

(52) **U.S. Cl.** ..... **D23/226**

(58) **Field of Search** ..... D23/213, 223,  
D23/226; 239/525-527

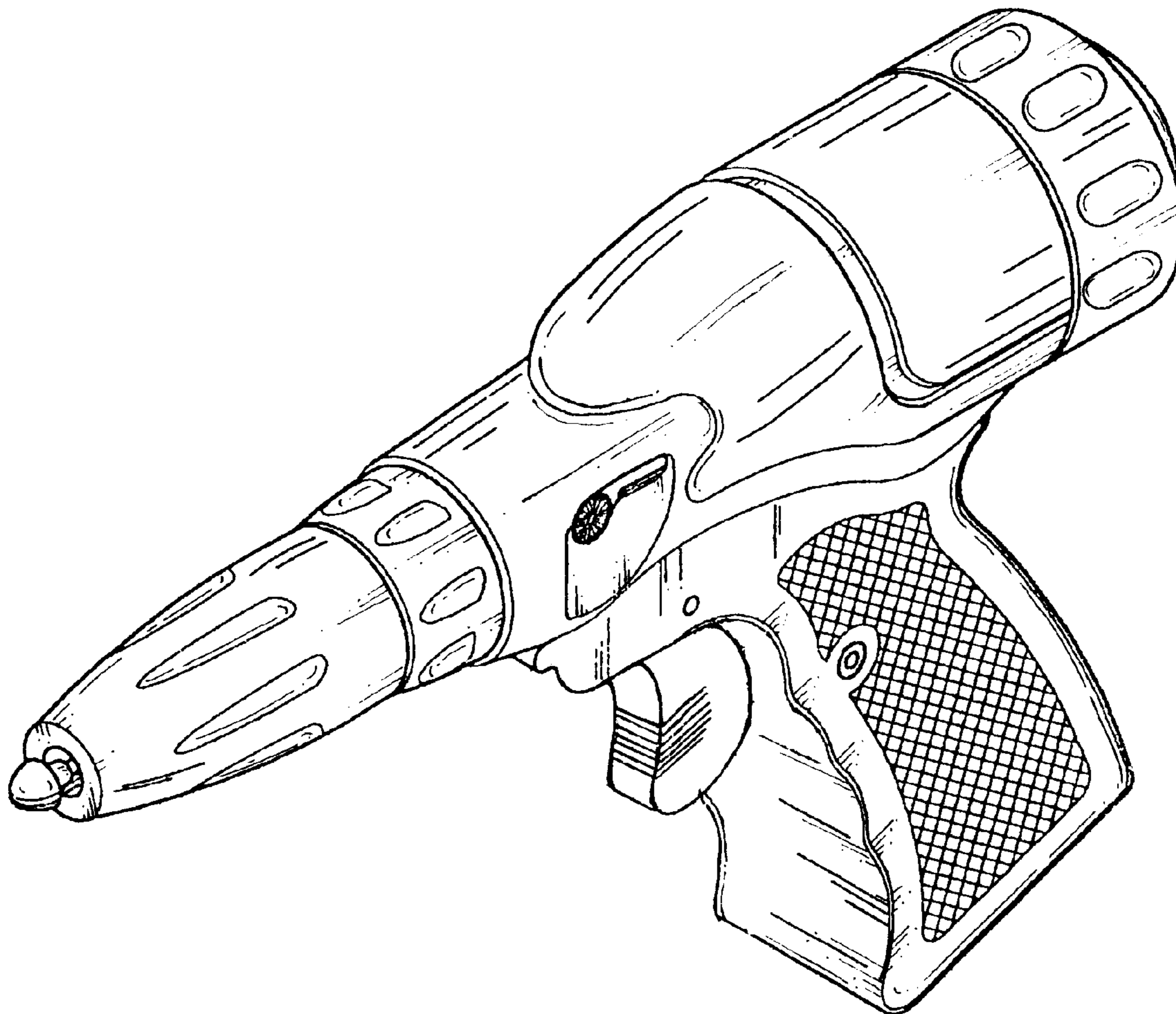
FIG. 1 is a perspective view of a sprayer gun showing my new design;  
FIG. 2 is a front elevational view thereof;  
FIG. 3 is a rear elevational view thereof;  
FIG. 4 is a top plan view thereof;  
FIG. 5 is a bottom plan view thereof;  
FIG. 6 is a left side elevational view thereof; and,  
FIG. 7 is a right side elevational view thereof.

(56) **References Cited**

**U.S. PATENT DOCUMENTS**

- D325,241 S \* 4/1992 Buschor ..... D23/226
- D332,133 S \* 12/1992 Simonetti et al. .... D23/226
- D419,641 S \* 1/2000 Wilson ..... D23/223

**1 Claim, 5 Drawing Sheets**



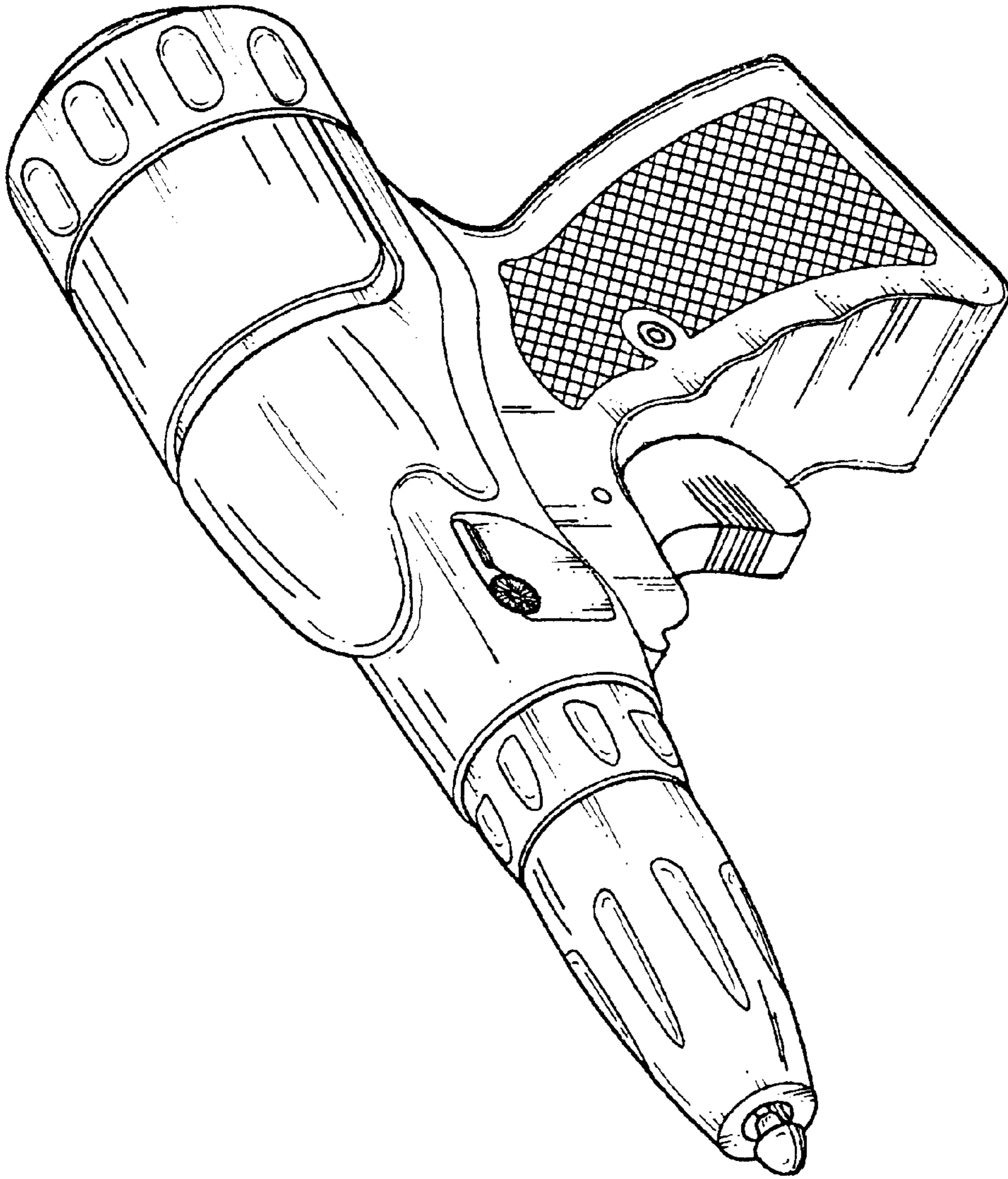


FIG. 1

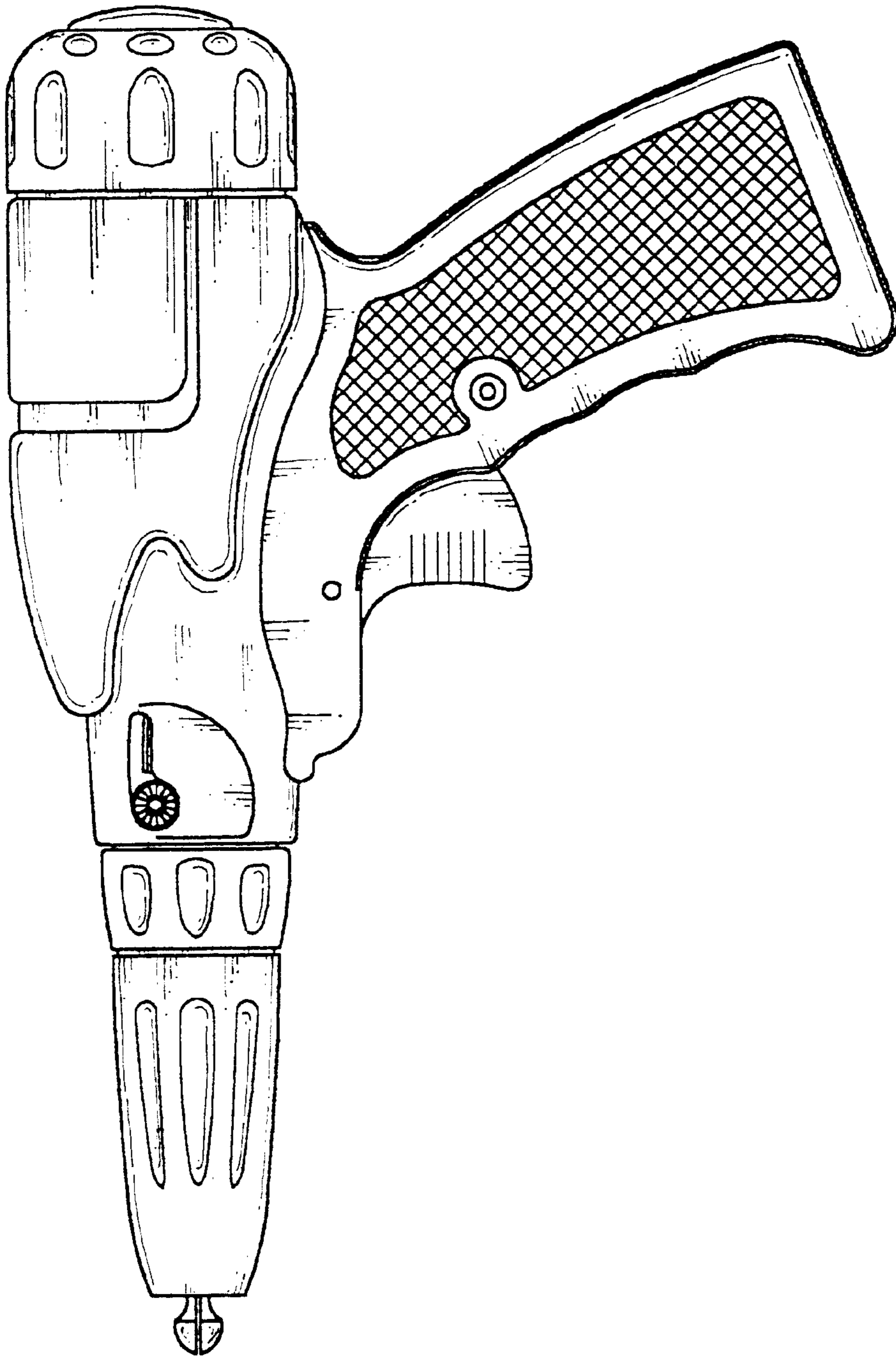


FIG. 2

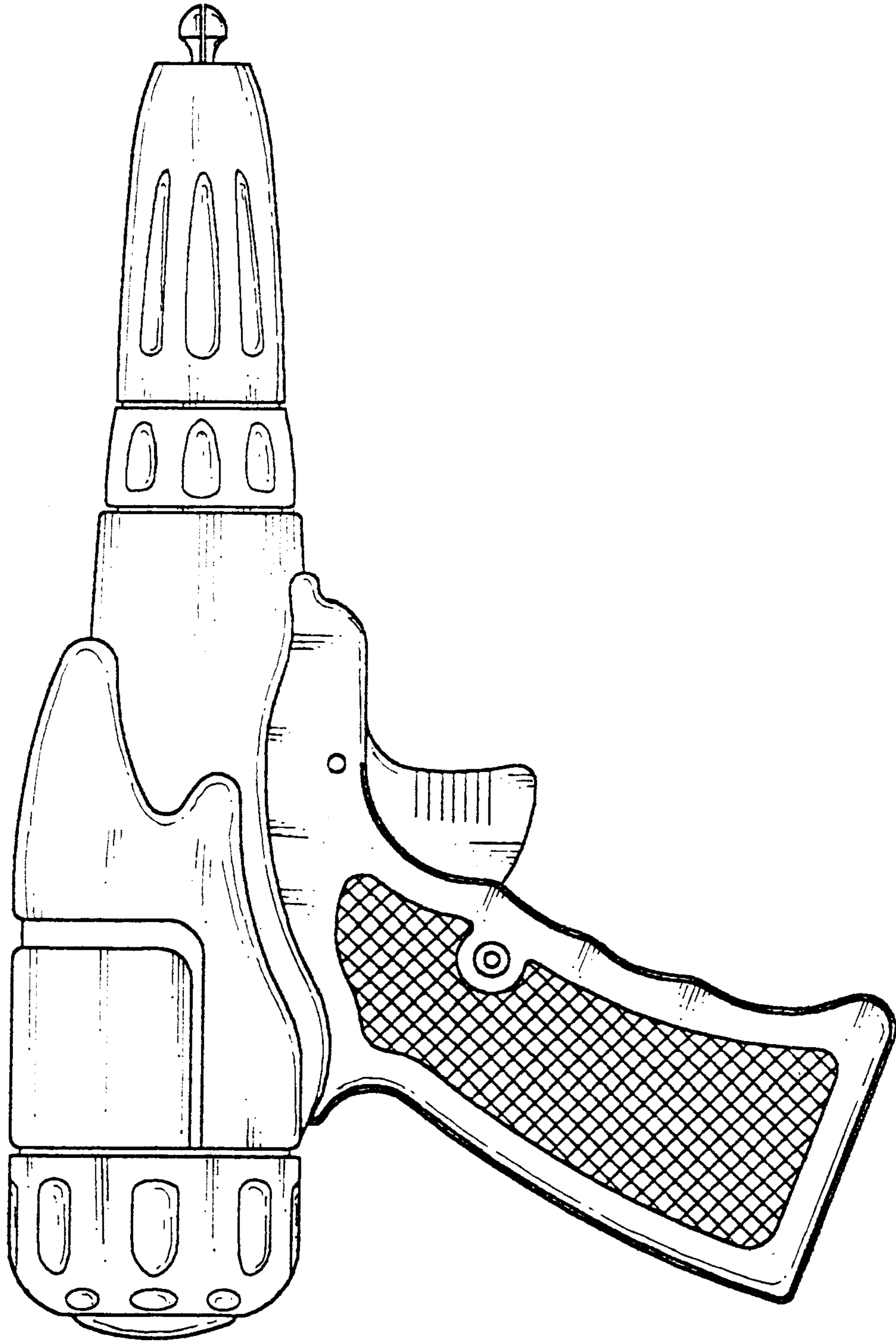


FIG. 3

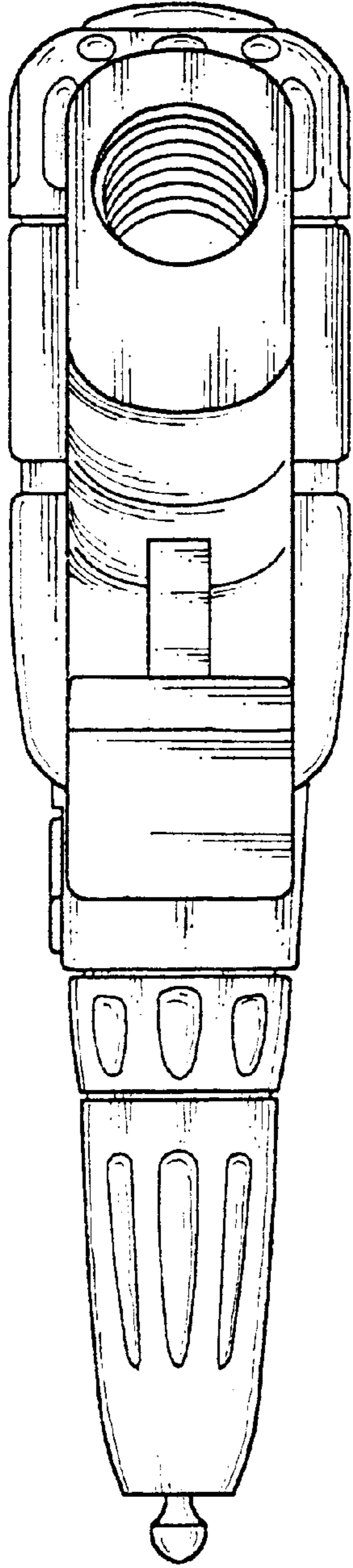


FIG. 5

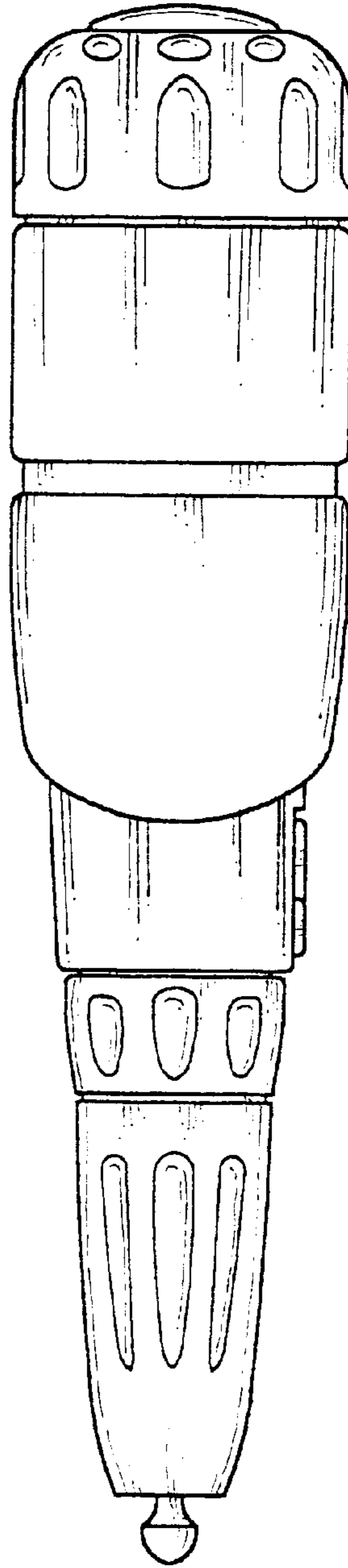


FIG. 4

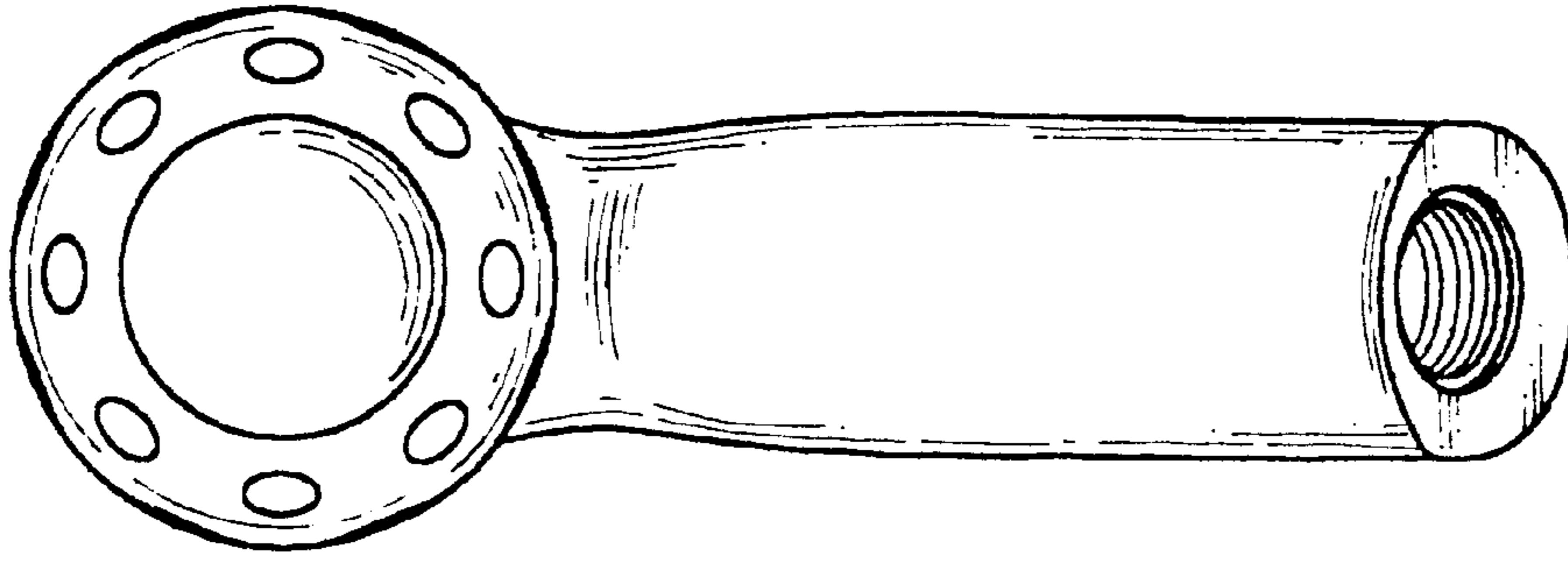


FIG. 7

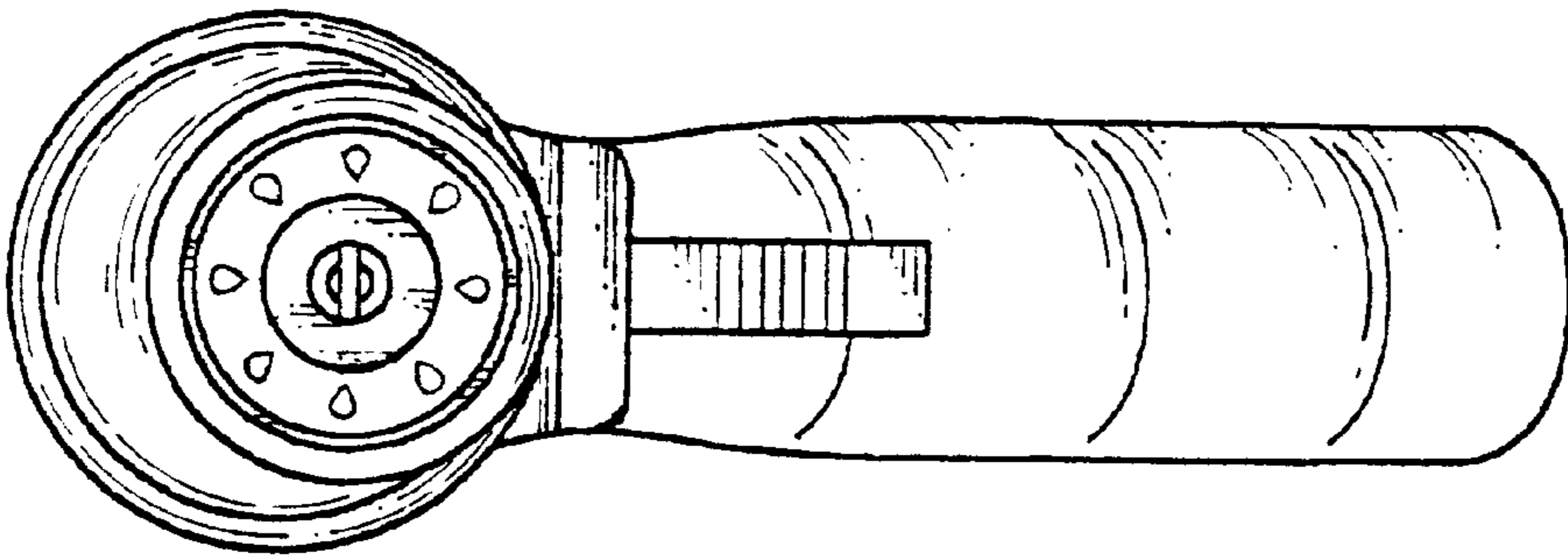


FIG. 6