



US00D471249S

(12) **United States Design Patent**
Walters

(10) **Patent No.:** **US D471,249 S**

(45) **Date of Patent:** **** Mar. 4, 2003**

(54) **LIVEWELL CONTAINMENT SYSTEM**

(76) **Inventor:** **Peggy A. Walters**, 655 Watershaw Dr.,
Friendsville, TN (US) 37737

(**) **Term:** **14 Years**

(21) **Appl. No.:** **29/161,659**

(22) **Filed:** **May 31, 2002**

(51) **LOC (7) Cl.** **22-05**

(52) **U.S. Cl.** **D22/134**

(58) **Field of Search** D22/136, 134,
D22/135, 199; 43/44.9, 54.1, 55, 56, 65;
D3/260; 206/315.11

(56) **References Cited**

U.S. PATENT DOCUMENTS

756,438 A	4/1904	Uhlenhart	43/42
1,110,892 A	9/1914	Cather	43/56
1,332,171 A	2/1920	Endreson	441/36
2,030,793 A	2/1936	Horn	43/55
2,241,314 A	5/1941	Mohler	43/55
2,738,609 A	3/1956	Reed	43/17.5
2,739,410 A	3/1956	Budnick	43/55
2,780,887 A *	2/1957	Cabaaniss	43/55
2,790,266 A	4/1957	Williamson	43/55
3,478,463 A	11/1969	Ruter	43/55
3,524,278 A	8/1970	Wolfe	43/55
3,559,329 A	2/1971	Chiu	43/55
3,717,124 A	2/1973	Jacobs	43/55
3,919,803 A	11/1975	Manguso	43/55
4,070,786 A	1/1978	Dunham	43/55
D257,377 S	10/1980	Andrews	D22/136
4,251,943 A	2/1981	Sawlsville	43/55

4,475,301 A	10/1984	Wortham	43/17.5
4,570,374 A	2/1986	Baxley	43/55
4,606,143 A	8/1986	Murphy, Jr.	43/56
4,794,723 A	1/1989	Arnold et al.	43/55
4,829,705 A *	5/1989	Dorsey	43/44.99
4,858,372 A	8/1989	Ray	43/55
4,905,404 A	3/1990	Pasion et al.	43/55
D323,698 S *	2/1992	Nelson et al.	D22/136
D333,862 S *	3/1993	Merechka	D22/136
5,661,924 A	9/1997	Maxwell	43/55
5,797,213 A	8/1998	Frick	43/54.1
6,000,168 A *	12/1999	Demusz et al.	43/65

* cited by examiner

Primary Examiner—Catherine R. Oliver

(74) *Attorney, Agent, or Firm*—Luedeka, Neely & Graham
PC

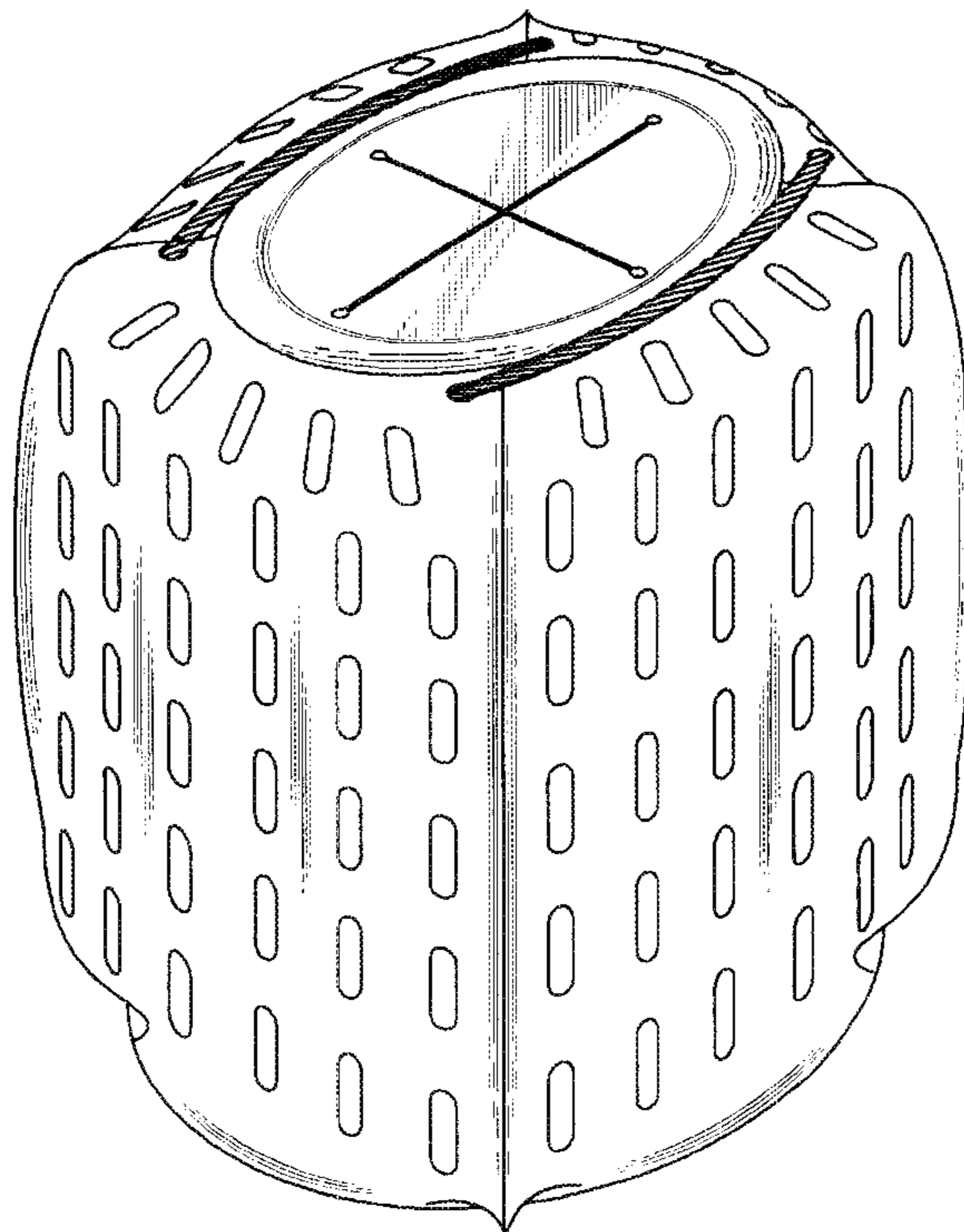
(57) **CLAIM**

The ornamental design for a livewell containment system, as shown and described.

DESCRIPTION

FIG. 1 is a front perspective view of the containment system of my new design, the rear being identical thereto; FIG. 2 is a left side elevation view of the containment system of my new design, the right side being identical thereto; FIG. 3 is a front elevation view of the containment system of my new design; FIG. 4 is a top plan view of the containment system of my new design; and, FIG. 5 is a bottom plan view of the containment system of my new design.

1 Claim, 3 Drawing Sheets



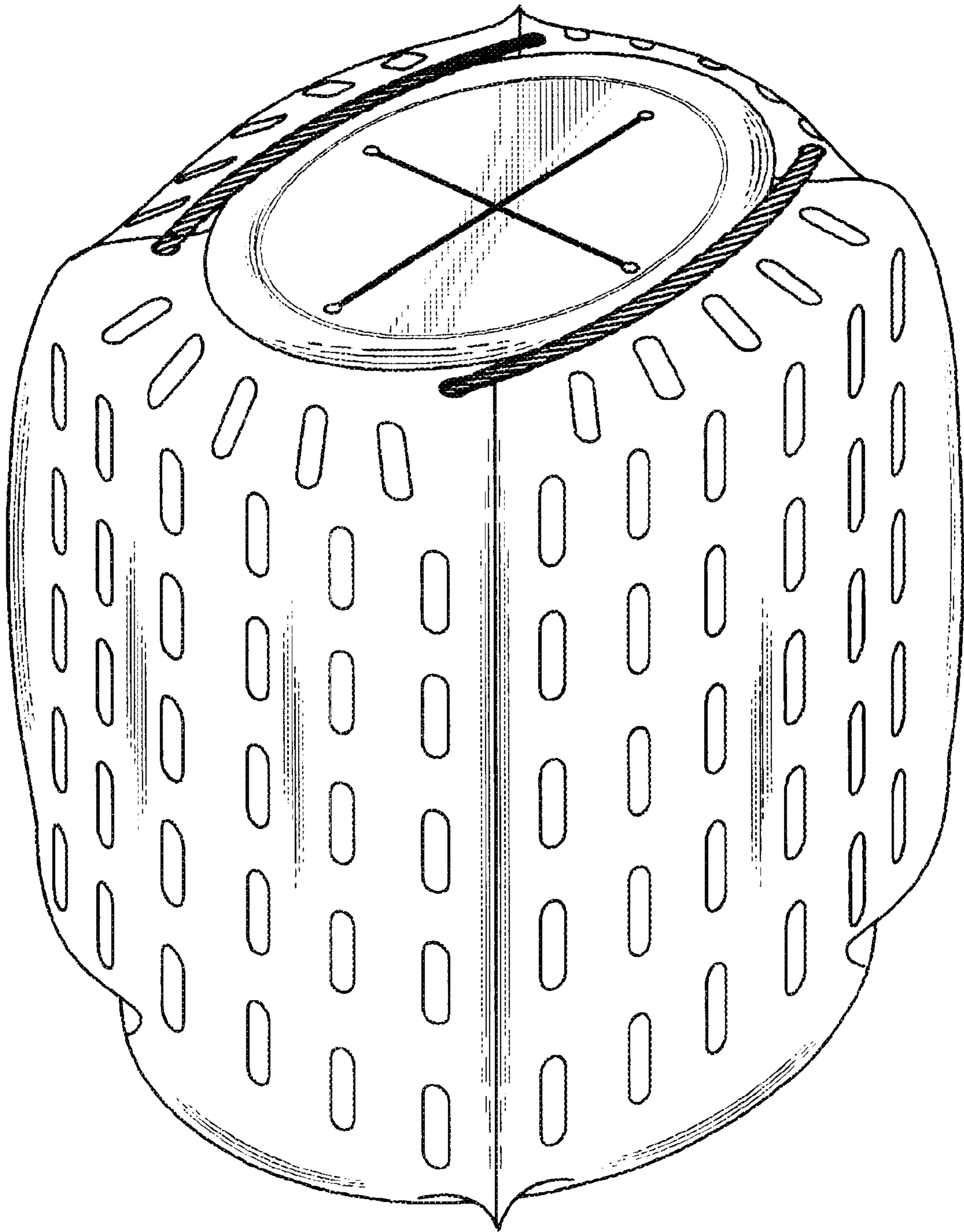


Fig. 1

Fig. 2

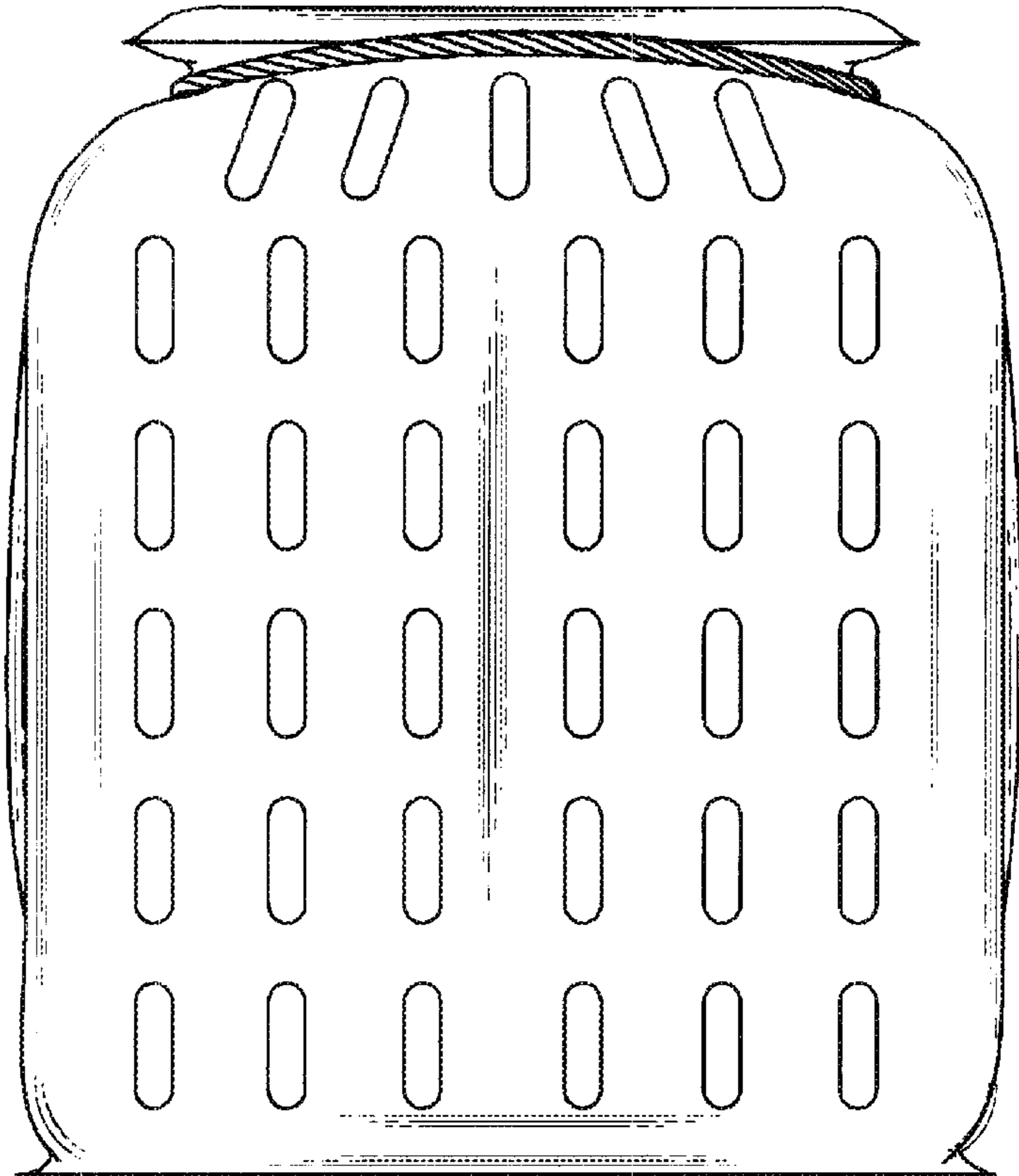
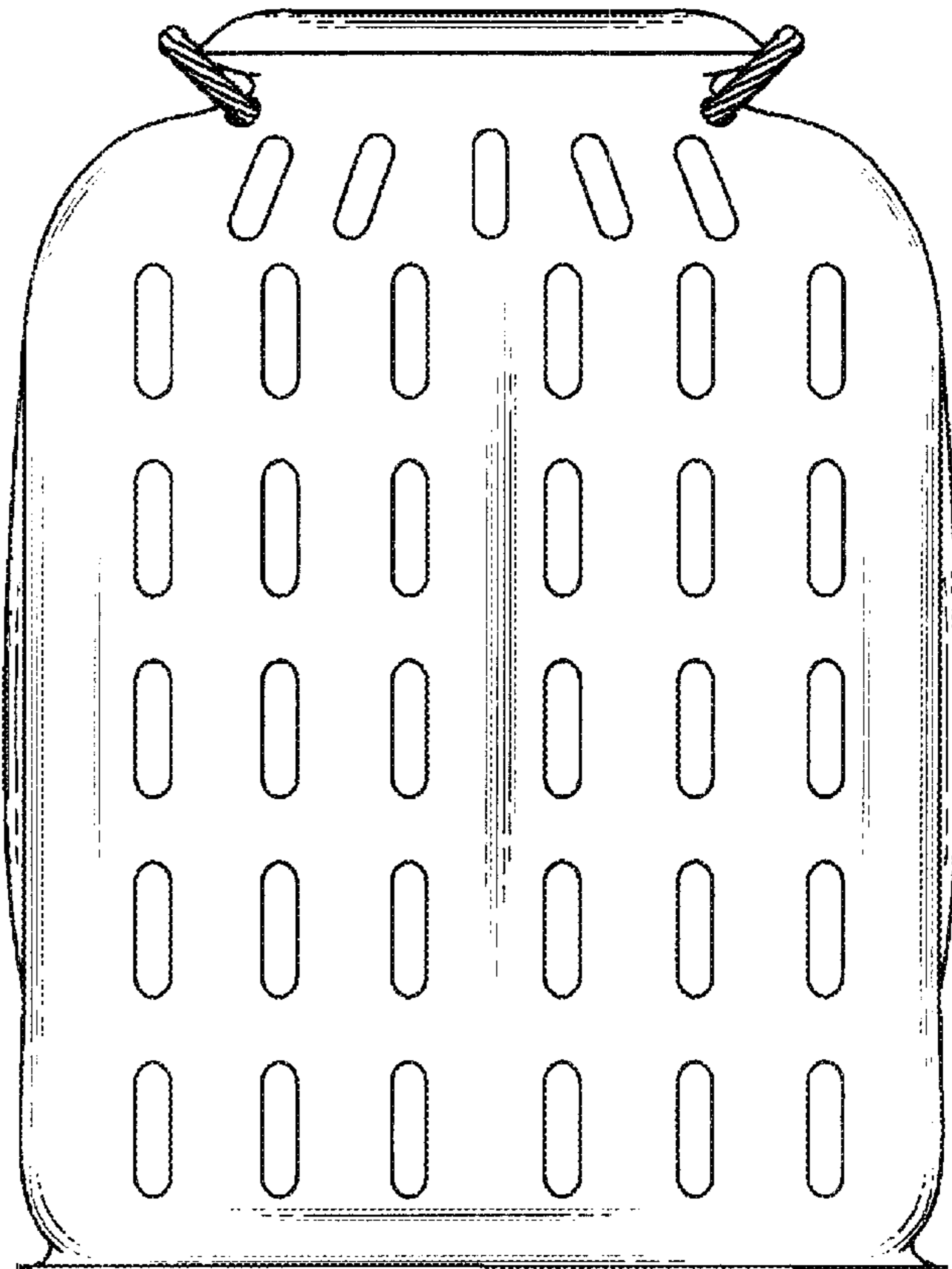


Fig. 3



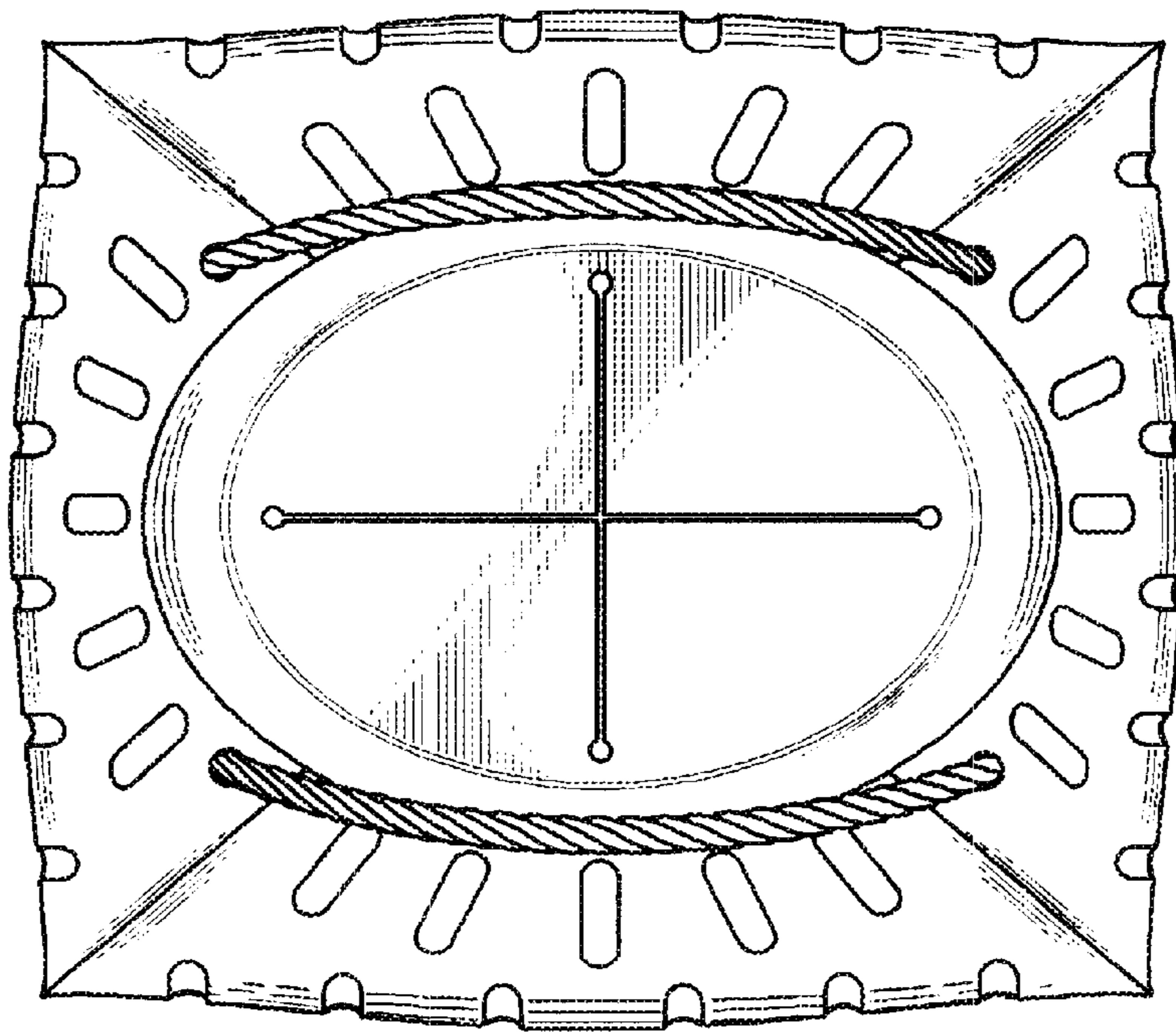


Fig. 4

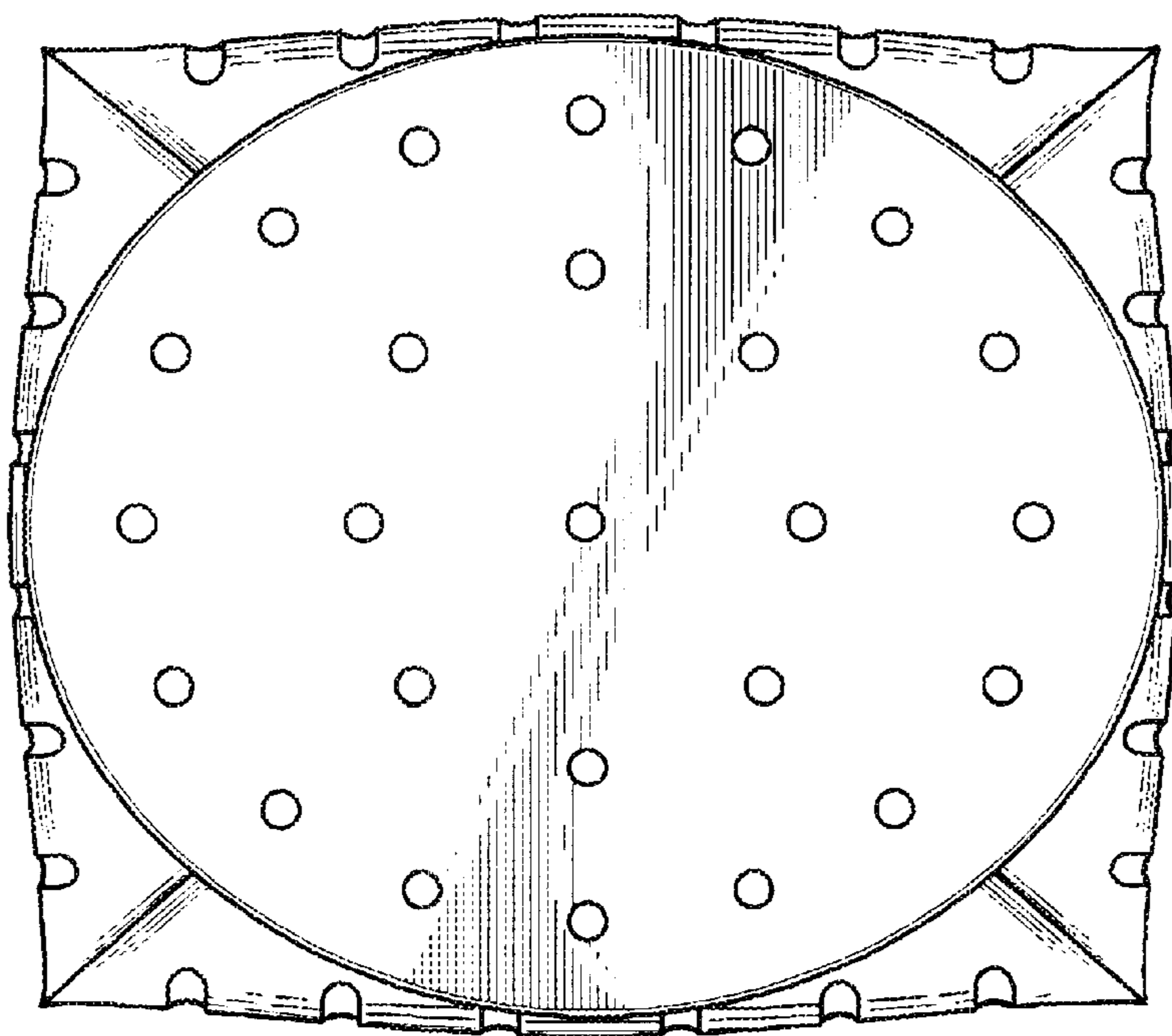


Fig. 5