



US00D471247S

(12) **United States Design Patent**
Chang

(10) **Patent No.:** **US D471,247 S**

(45) **Date of Patent:** **** Mar. 4, 2003**

(54) **PORTABLE GOLF VIDEO PRACTICE MONITOR**

(75) Inventor: **Philip Chang**, Foster City, CA (US)

(73) Assignee: **Montgomery Golf Corporation**, Foster City, CA (US)

(**) Term: **14 Years**

(21) Appl. No.: **29/158,108**

(22) Filed: **Apr. 1, 2002**

(51) **LOC (7) Cl.** **21-02**

(52) **U.S. Cl.** **D21/789**

(58) **Field of Search** D21/789, 796;
473/156, 220, 233, 257, 261; 206/45.24,
45.25, 45.26, 45.27

(56) **References Cited**

U.S. PATENT DOCUMENTS

D437,626 S * 2/2001 Chang D21/796
D437,909 S * 2/2001 Chang D21/789

* cited by examiner

Primary Examiner—Mitchell Siegel

(74) *Attorney, Agent, or Firm*—Harris Zimmerman, Esq.

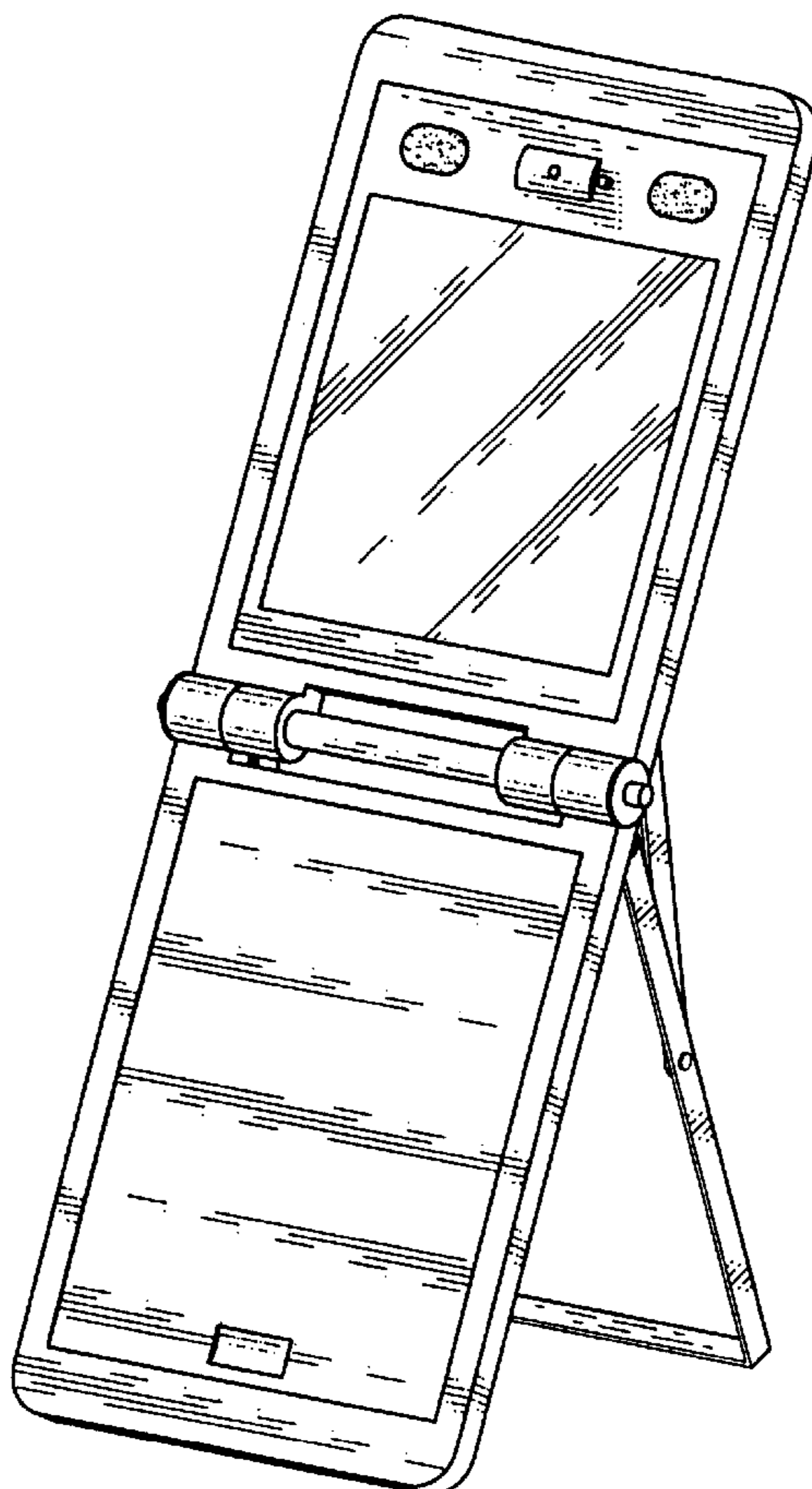
(57) **CLAIM**

The ornamental design for a portable golf video practice monitor, substantially as shown and described.

DESCRIPTION

FIG. 1 is a perspective view of a portable golf video practice monitor in its open operative position;
FIG. 2 is a right side view thereof;
FIG. 3 is a bottom view taken substantially in the plain indicated by line 33 of FIG 2;
FIG. 4 is a top view taken substantially in the plain indicated by line 44 in FIG. 2;
FIG. 5 is a left side view;
FIG. 6 is a front view taken along line 66 of FIG 5;
FIG. 7 is a rear view taken along line 77 of FIG 5;
FIG. 8 is a perspective view of the portable golf video practice monitor in its closed or portable position;
FIG. 9 is a right side view thereof;
FIG. 10 is a bottom view;
FIG. 11 is a top view;
FIG. 12 is a left side view;
FIG. 13 is a front view; and,
FIG. 14 is a rear view.

1 Claim, 3 Drawing Sheets



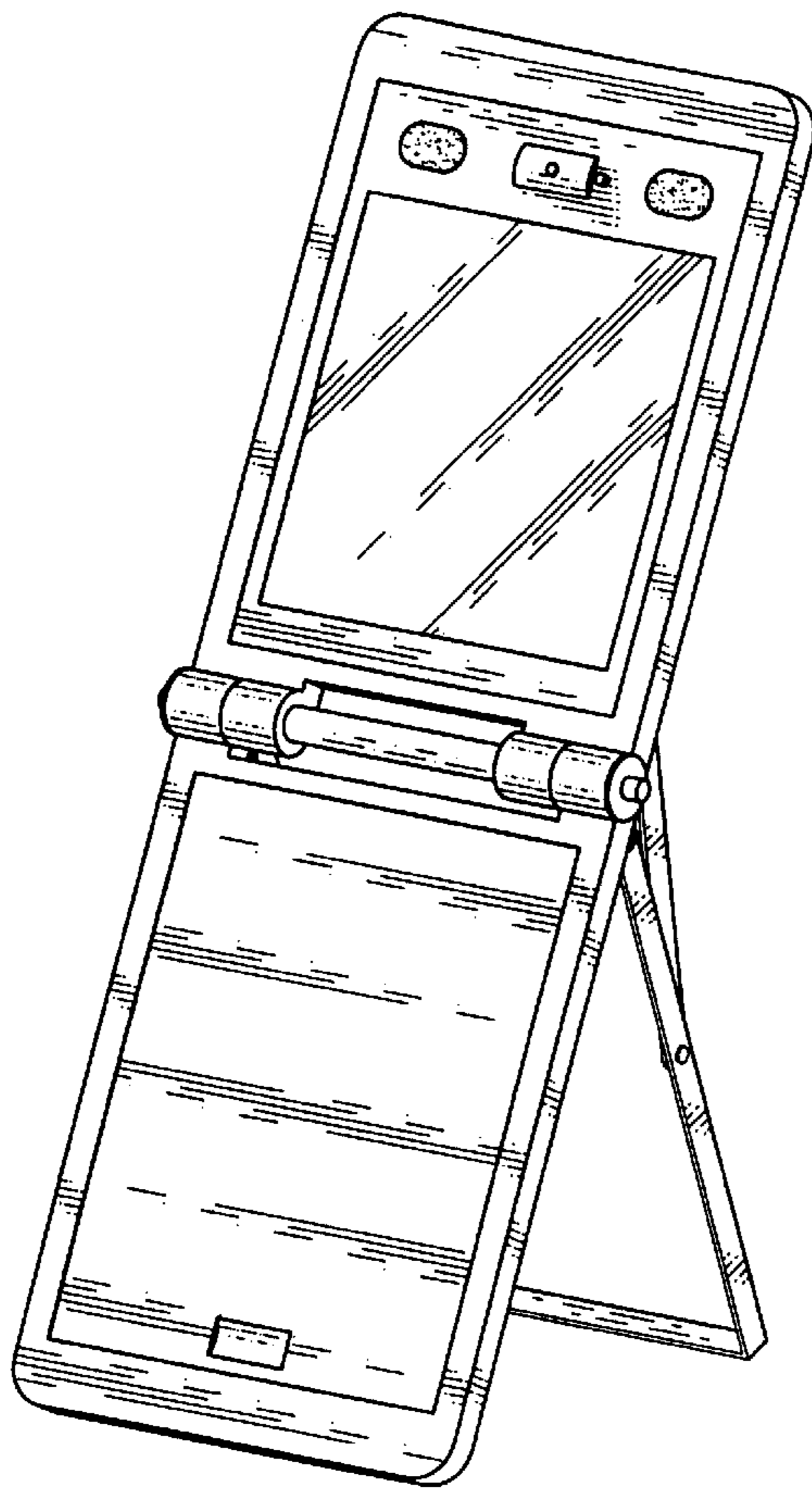


Fig. 1

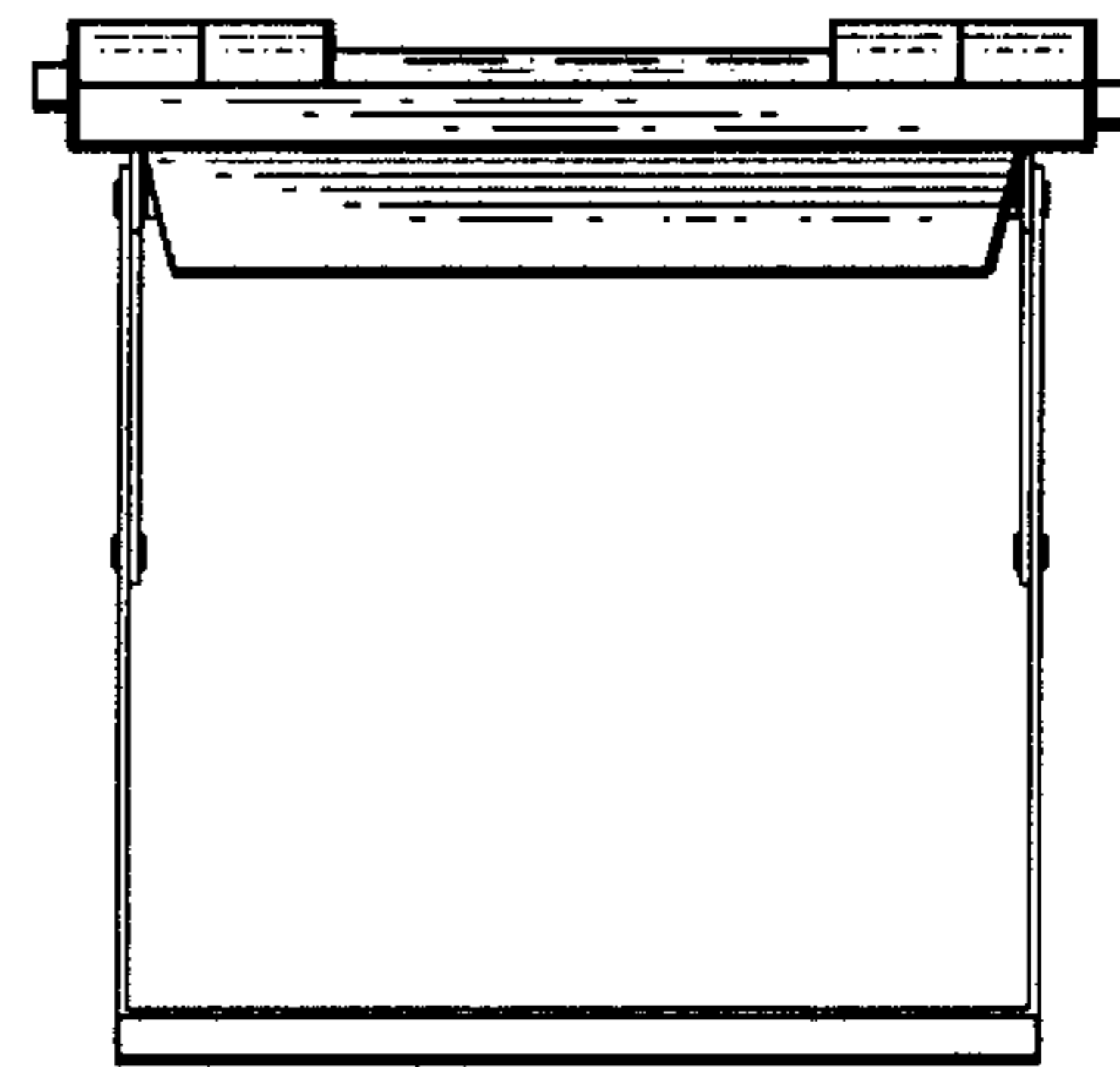


Fig. 3

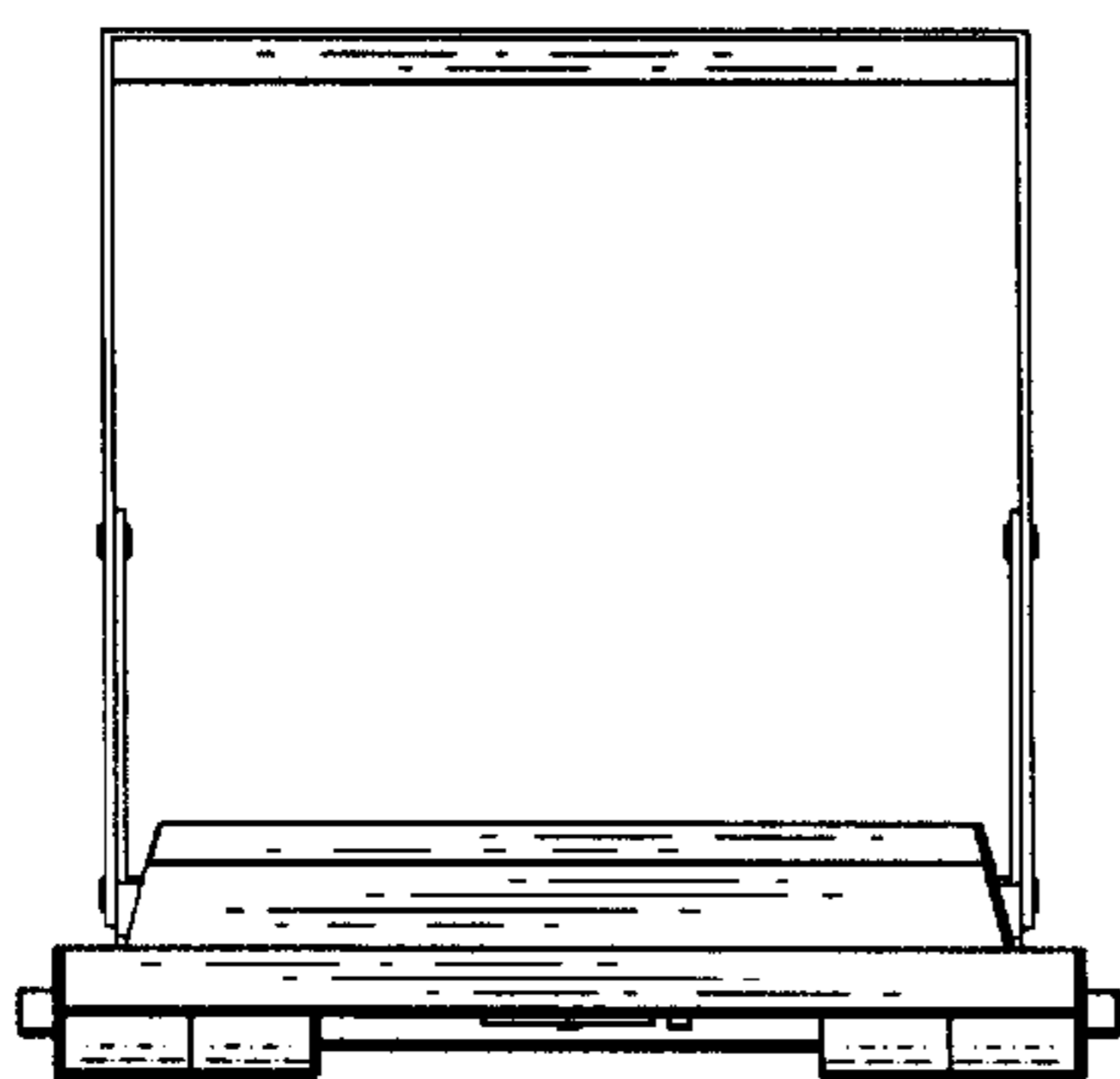


Fig. 4

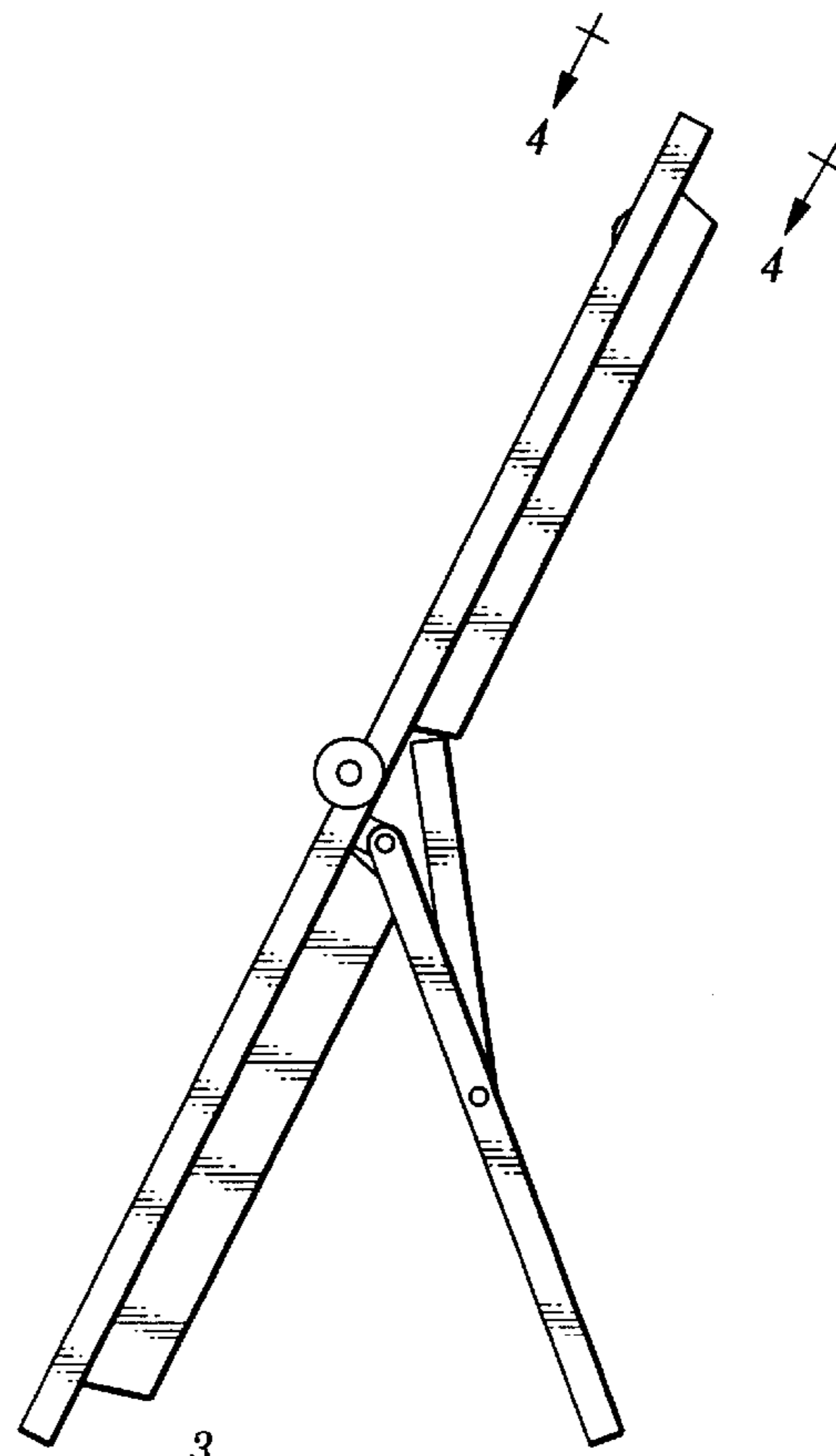


Fig. 2

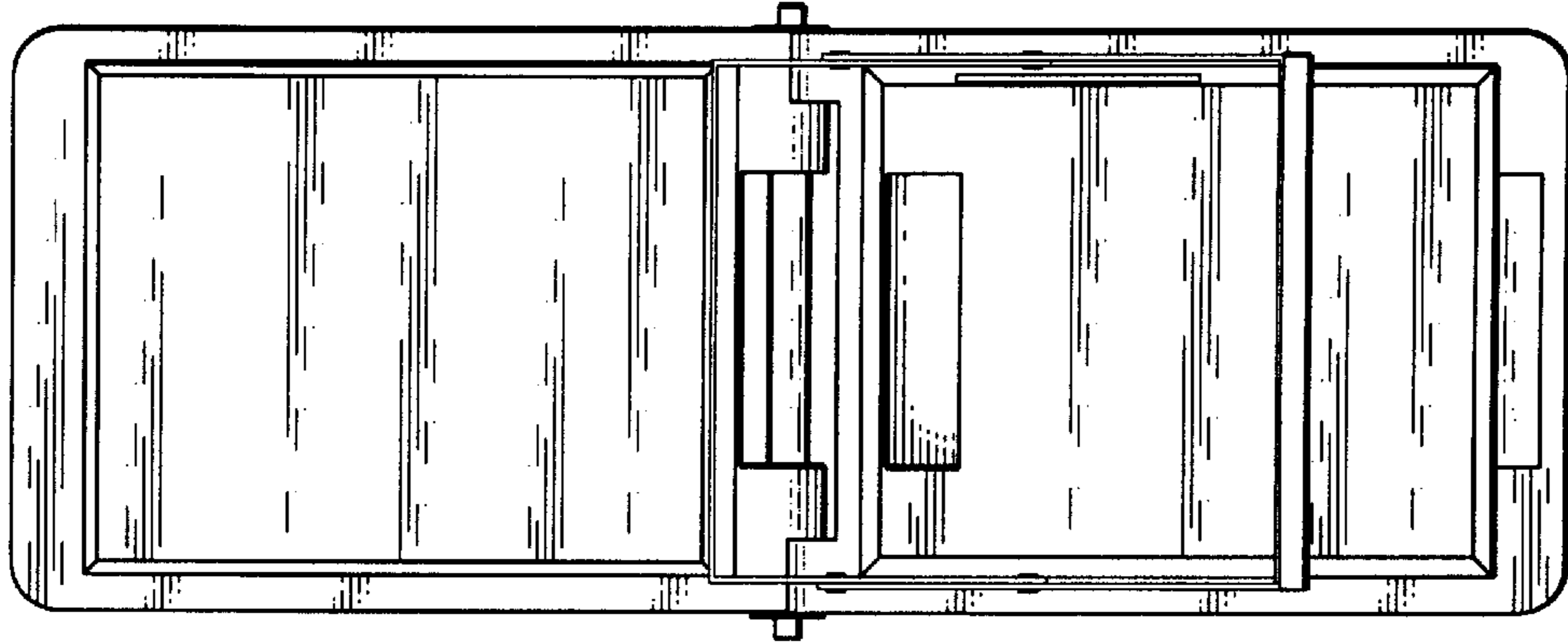


Fig. 7

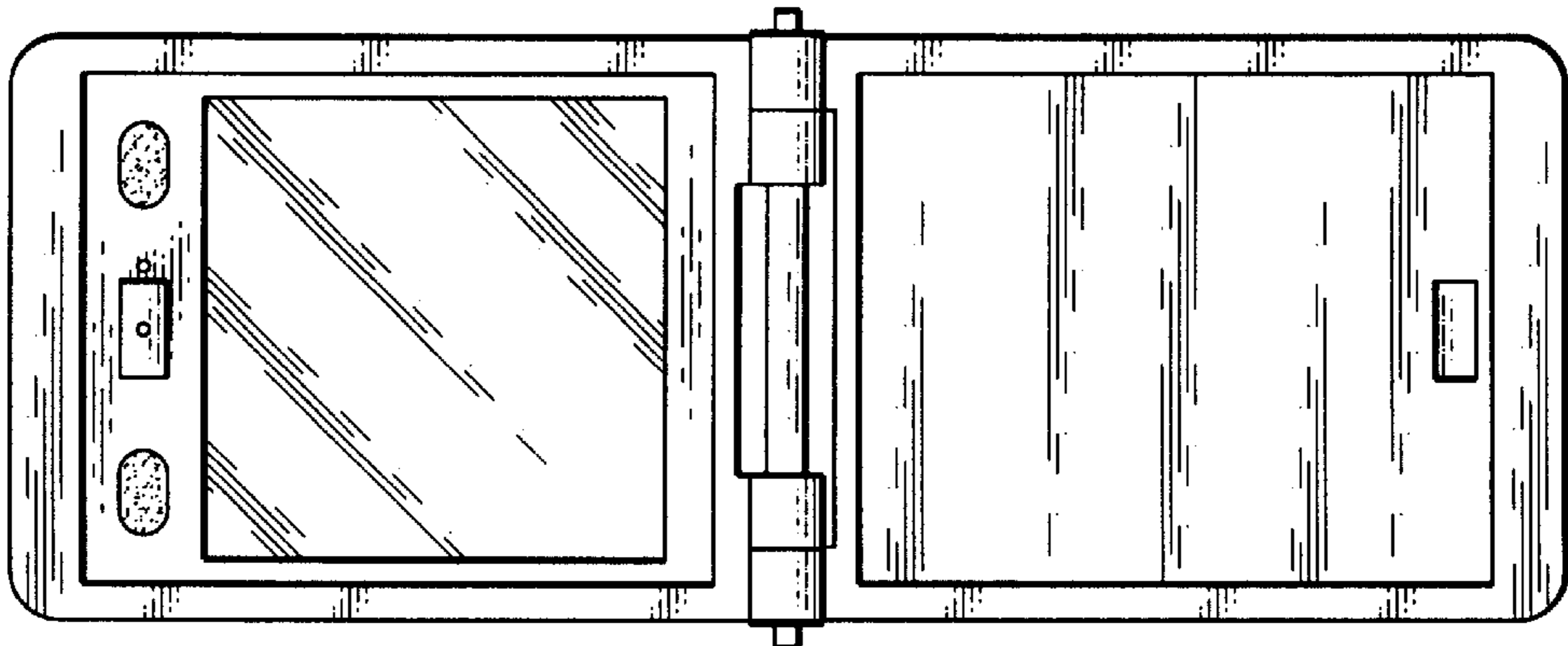


Fig. 6

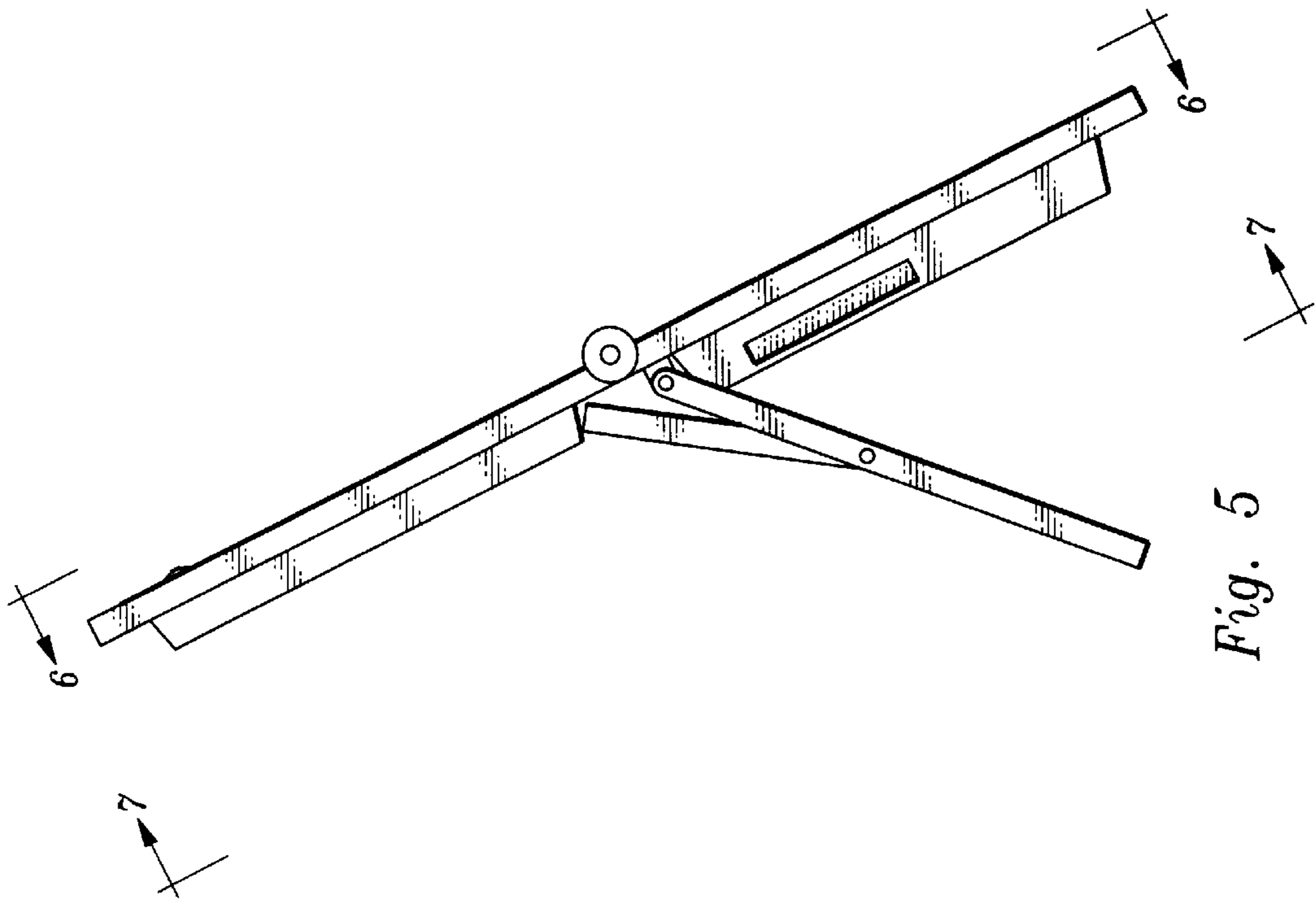


Fig. 5

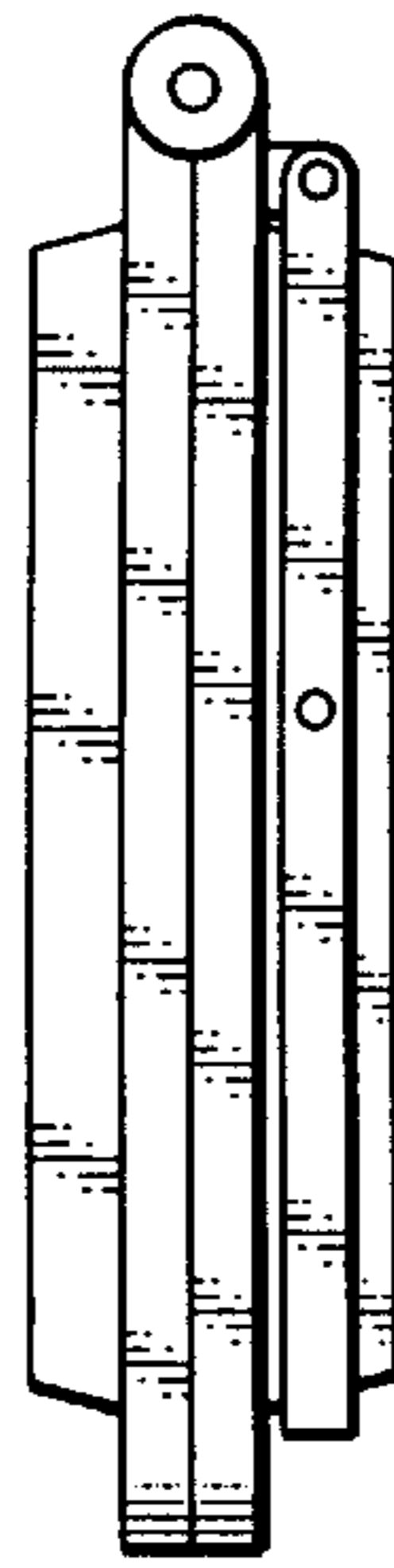
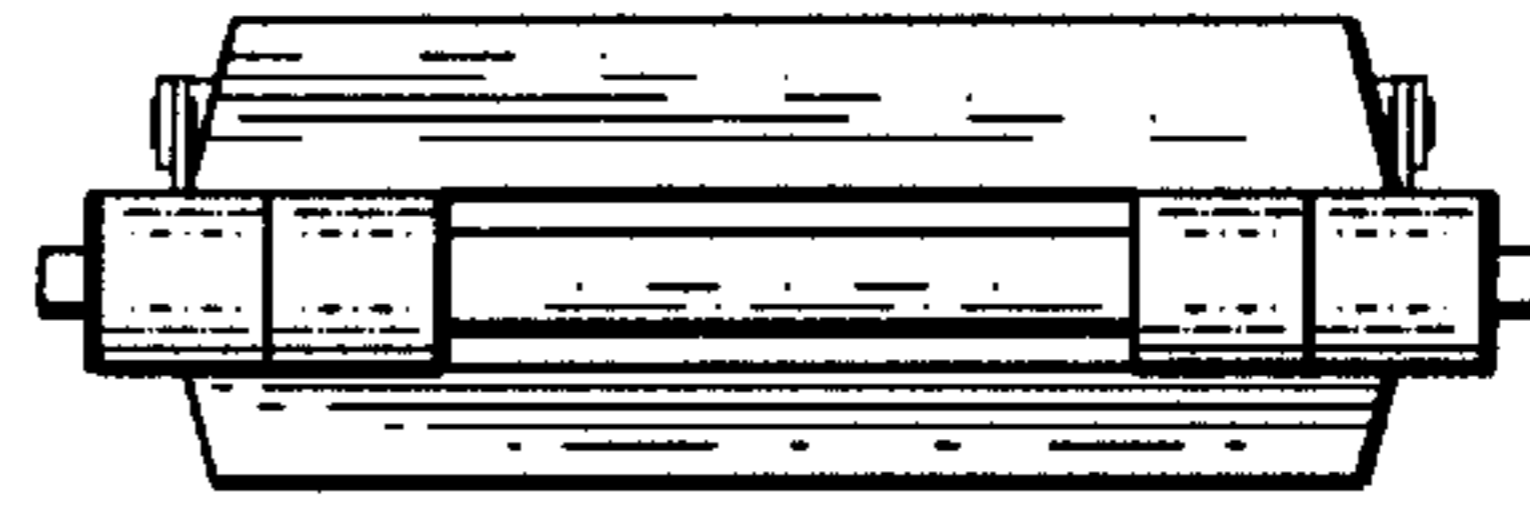
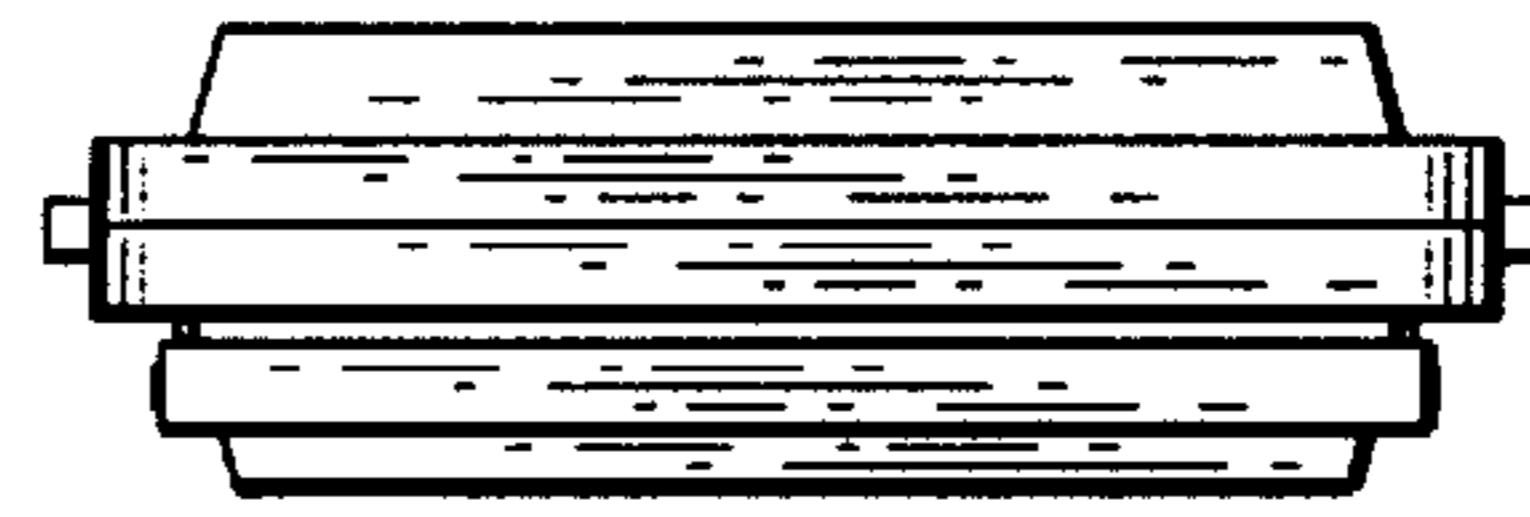
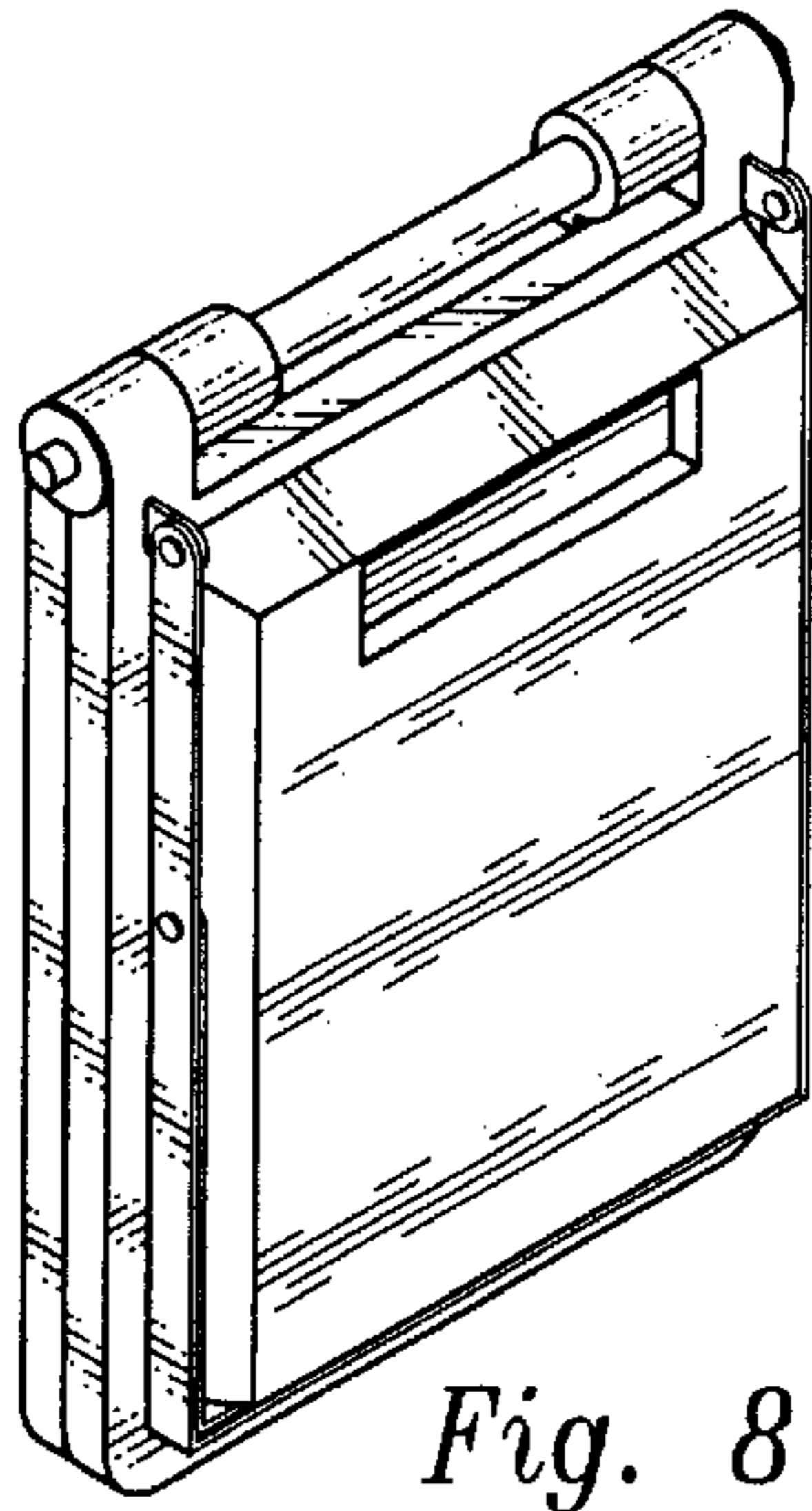


Fig. 9

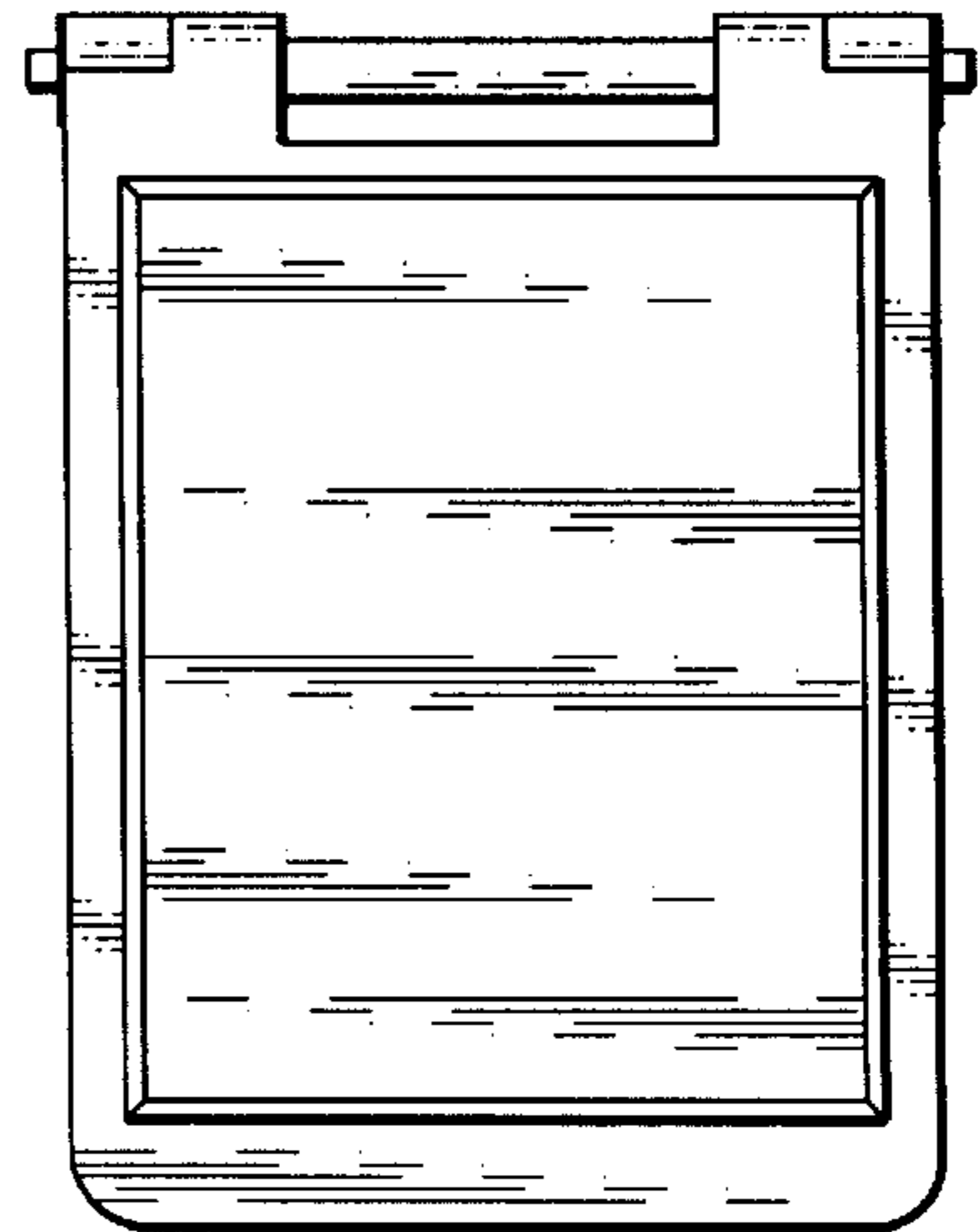
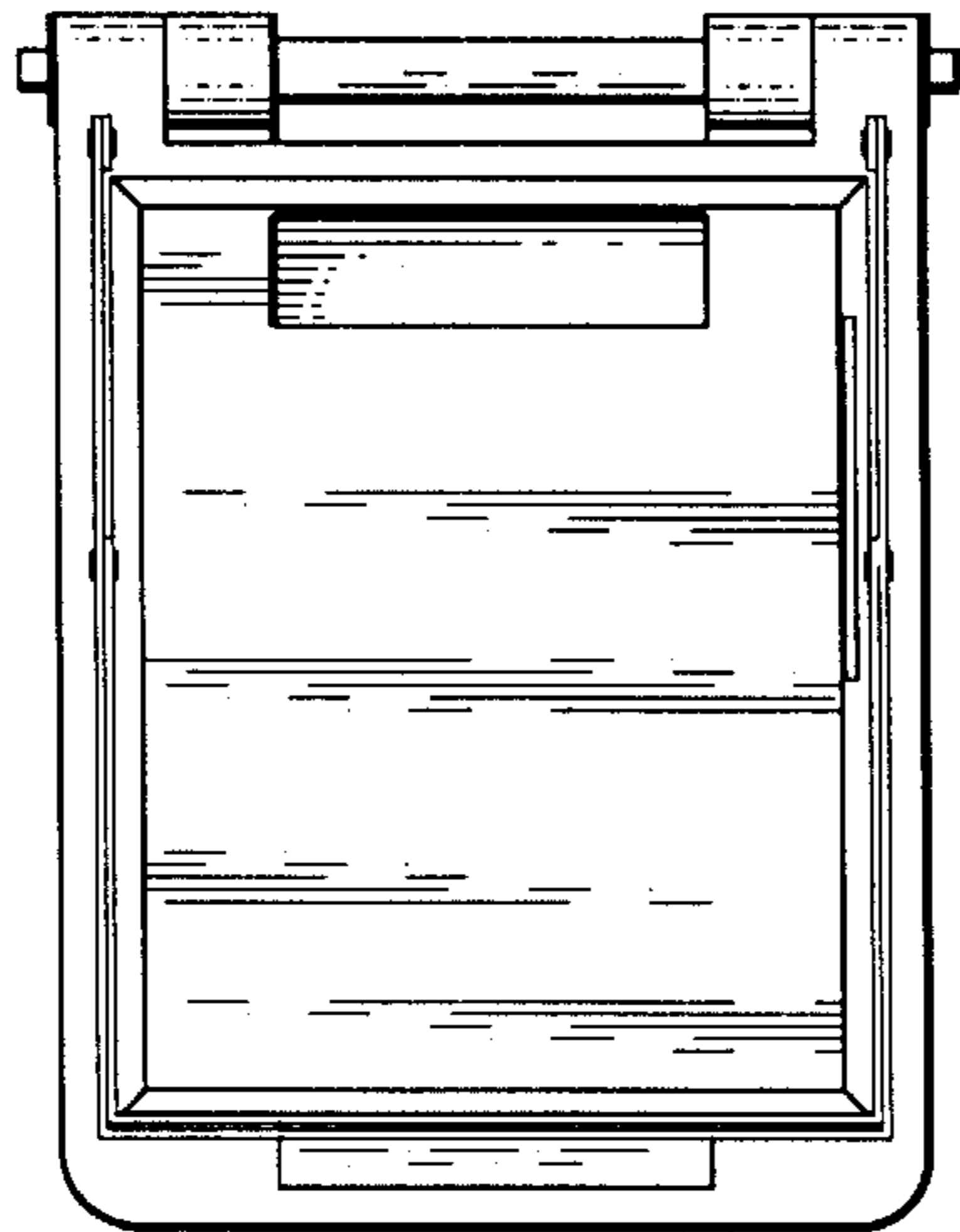
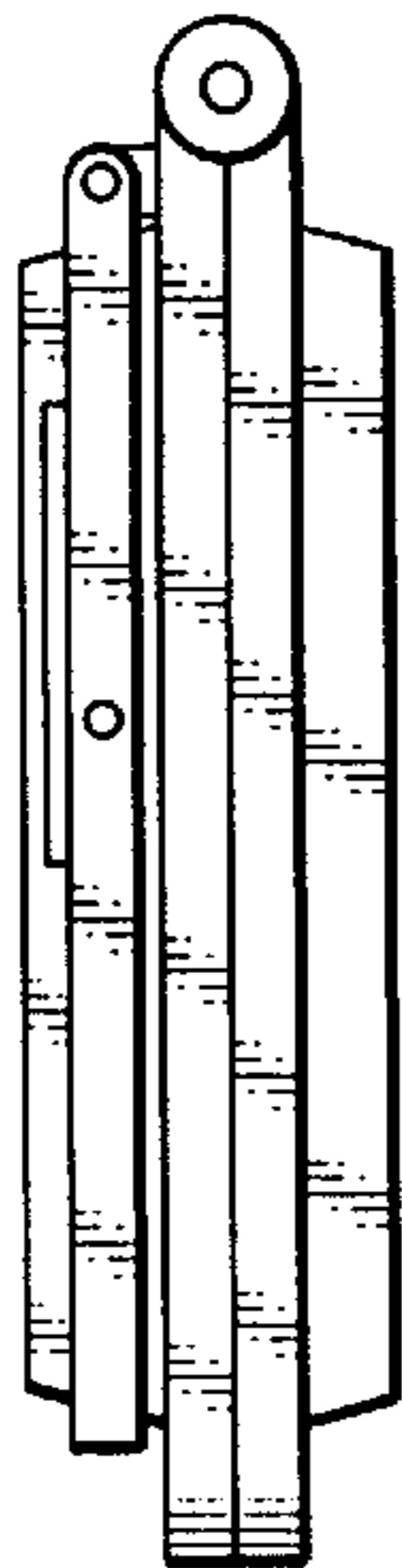


Fig. 12

Fig. 14

Fig. 13