



US00D471238S

(12) **United States Design Patent**
Showers et al.

(10) **Patent No.:** **US D471,238 S**
(45) **Date of Patent:** **** Mar. 4, 2003**

(54) **CAR WASH ENTRY STATION FACE PLATE**

(75) Inventors: **Mark N. Showers**, Menasha, WI (US);
Kimmo Ukkola, DePere, WI (US); **Jim Thomson**, Oconto Falls, WI (US);
Dave Gagnon, DePere, WI (US)

(73) Assignee: **Delaware Capital Formation, Inc.**,
Wilmington, DE (US)

(**) Term: **14 Years**

(21) Appl. No.: **29/160,638**

(22) Filed: **May 13, 2002**

(51) **LOC (7) Cl.** **20-01**

(52) **U.S. Cl.** **D20/8**

(58) **Field of Search** D20/1-6, 8-9,
D20/99; D25/34; D99/28; 134/123, 172;
232/15; 239/305, 310

(56) **References Cited**

U.S. PATENT DOCUMENTS

D360,739 S * 7/1995 Hall D99/28
D362,689 S * 9/1995 Goldman et al. D20/1
D375,607 S * 11/1996 Hall D99/28
D388,229 S * 12/1997 Couch D99/28
D399,633 S * 10/1998 Tsuchida D99/34

OTHER PUBLICATIONS

“Guide To Successful Carwash Marketing”, Unitec Electronics brochure, May 2001.

“The New Paystation for Automatic Car Wash”, American Changer brochure.

“Autocashier”, Hamilton Mfg. Corp. brochure, May 2001.

“ACW5 ACW5-CRC”, Hamilton Mfg. Corp. brochure.

“AUTOTEC 5 AUTOTEC 5-CRC”, Hamilton Mfg. Corp. brochure.

* cited by examiner

Primary Examiner—Robert M. Spear

(74) *Attorney, Agent, or Firm*—Andrus, Scales, Starke & Sawall, LLP

(57) **CLAIM**

The ornamental design for a car wash entry station face plate, as shown and described.

DESCRIPTION

FIG. 1 is a perspective view of a car wash entry station face plate embodying the present invention;

FIG. 2 is a top view of the car wash entry station face plate;

FIG. 3 is a bottom view of the car wash entry station face plate;

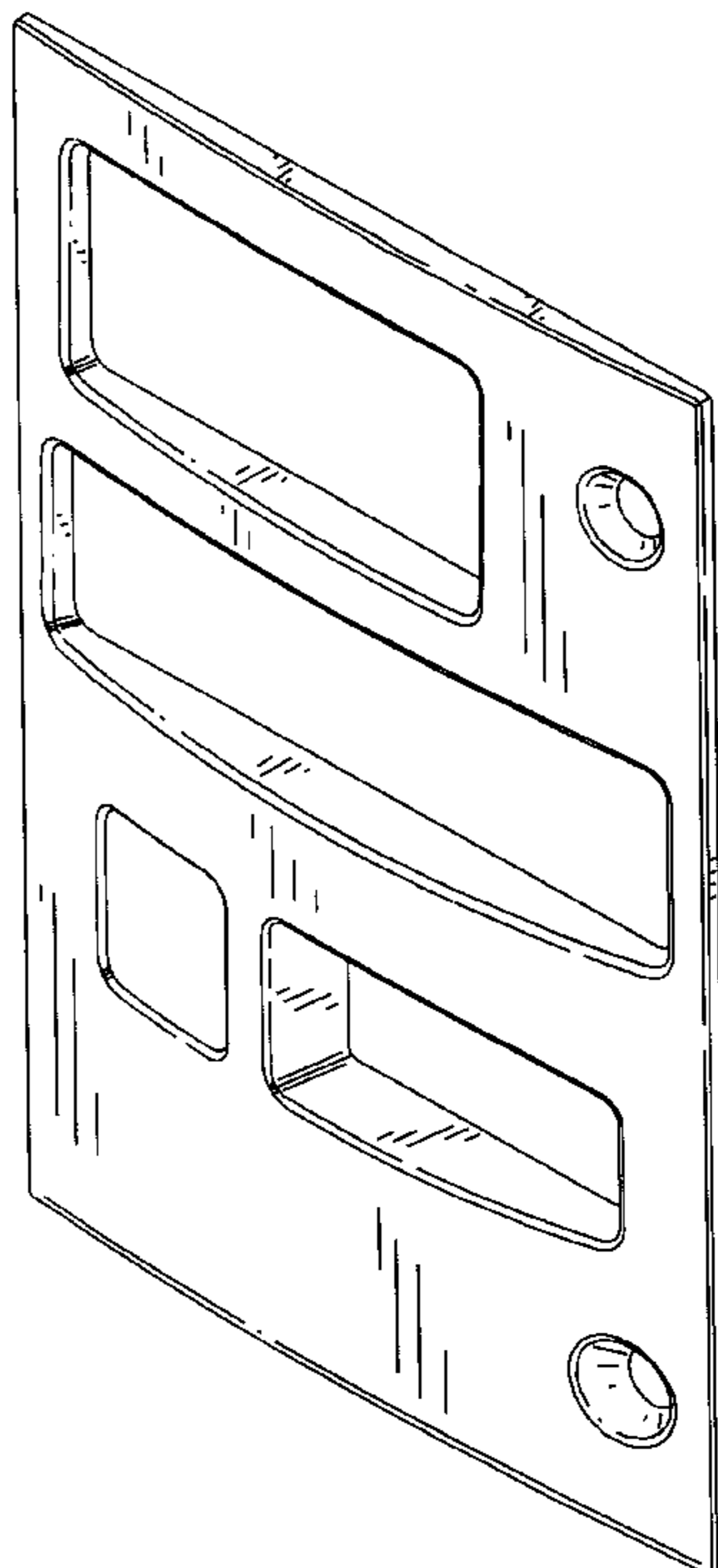
FIG. 4 is a front view of the car wash entry station face plate;

FIG. 5 is a left side view of the car wash entry station face plate; and,

FIG. 6 is a right side view of the car wash entry station face plate.

The broken lines in the drawings depict environmental structure, which forms no part of the claimed design.

1 Claim, 3 Drawing Sheets



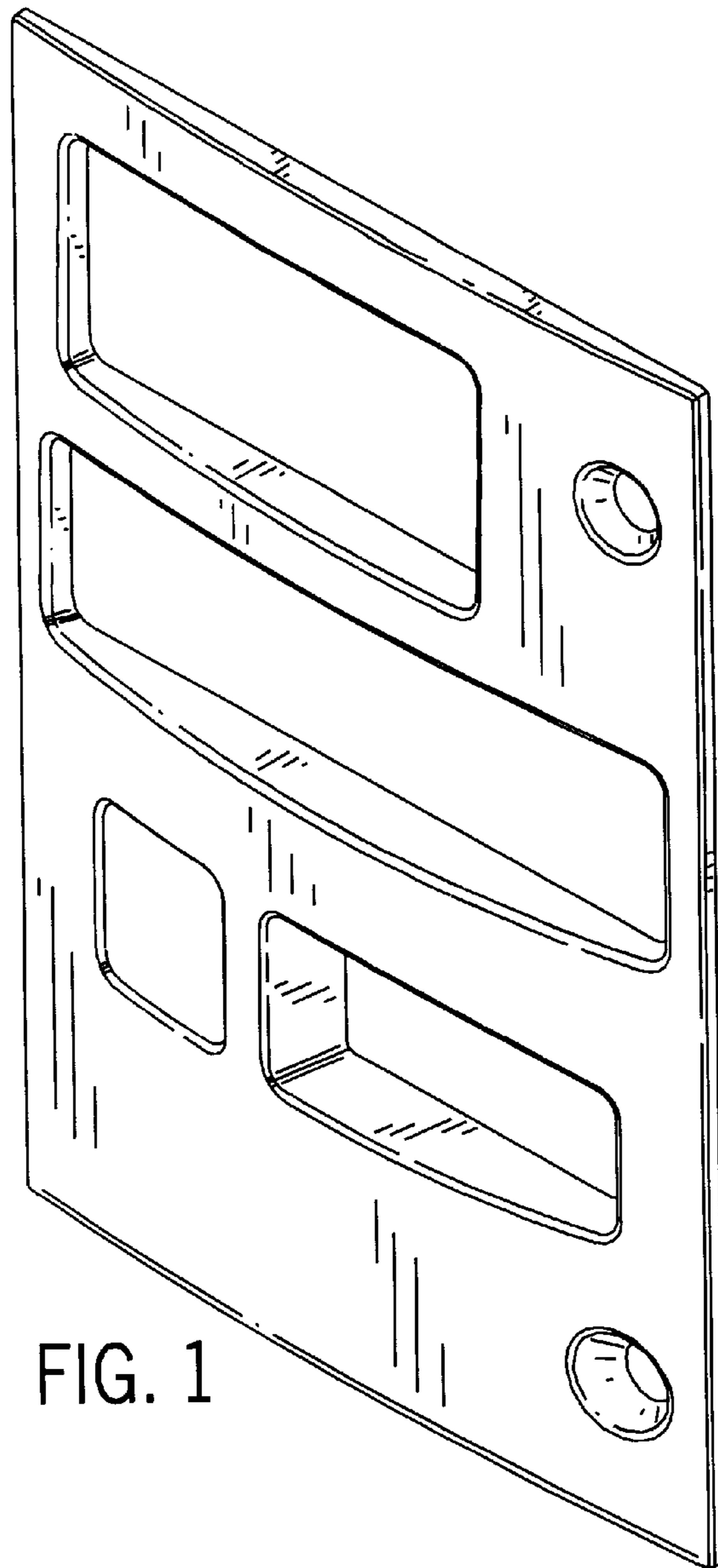


FIG. 1

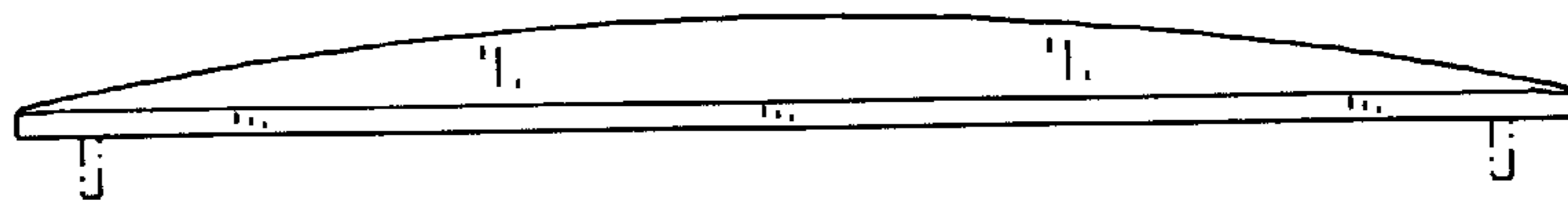


FIG. 3

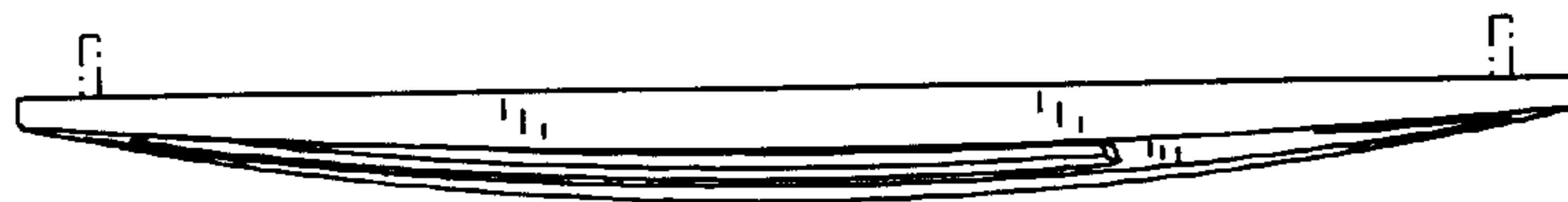


FIG. 2

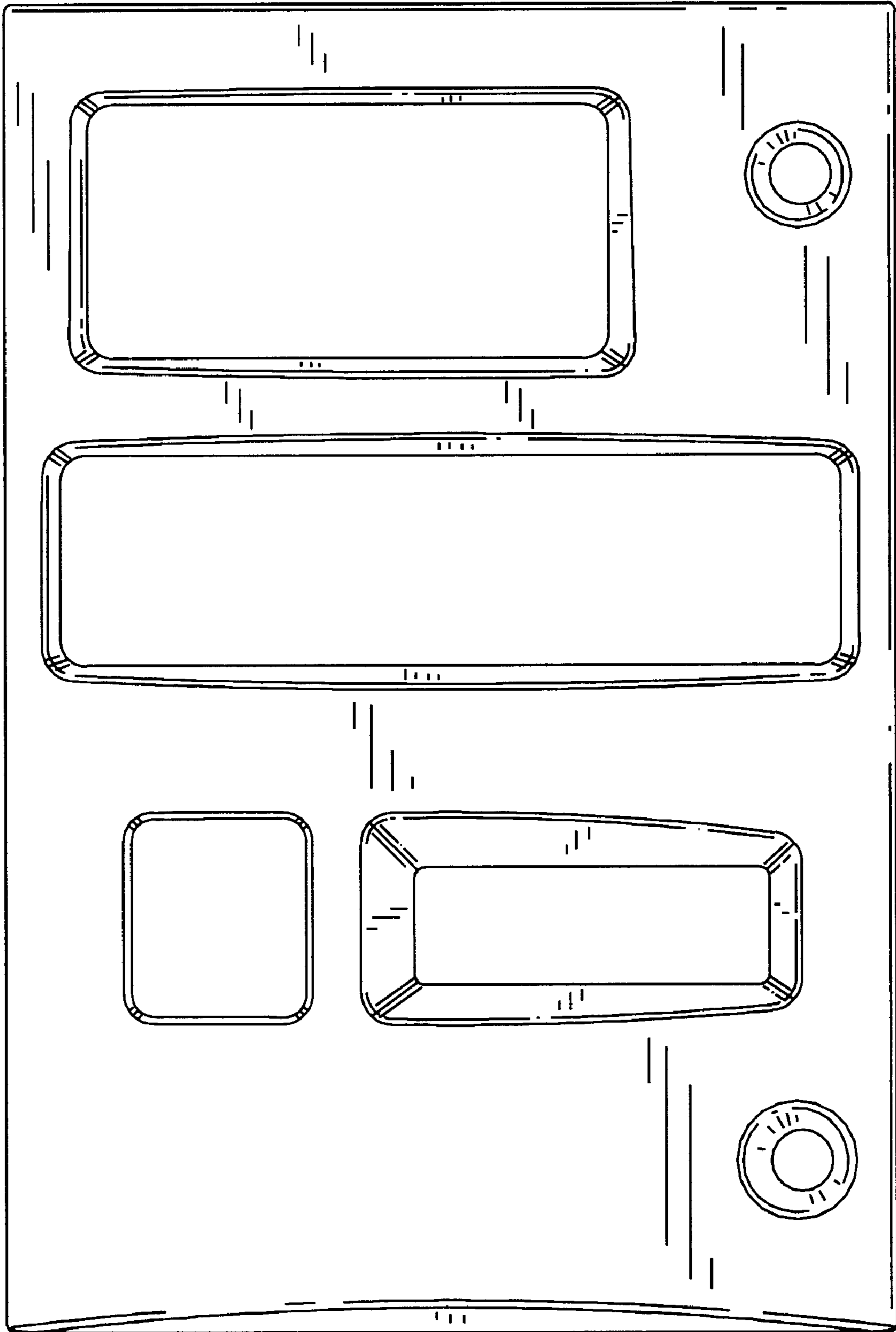


FIG. 4

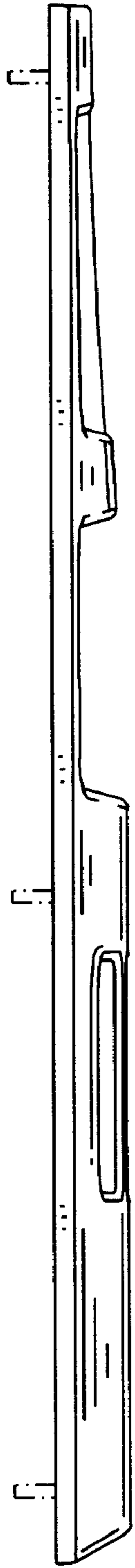


FIG. 5

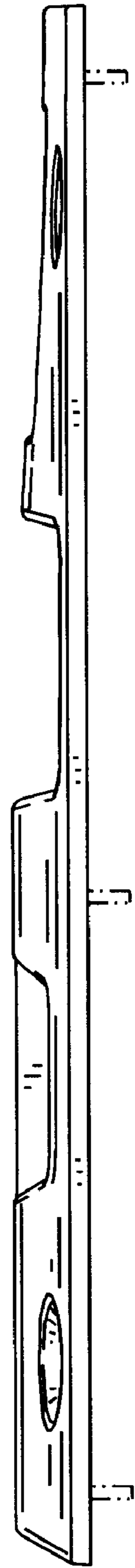


FIG. 6