



US00D471236S

(12) **United States Design Patent**
Robbins, III

(10) **Patent No.:** **US D471,236 S**

(45) **Date of Patent:** **** Mar. 4, 2003**

(54) **DESK ACCESSORY PAD**

(76) Inventor: **Edward S. Robbins, III**, 2802 E.
Avalon Ave., Muscle Shoals, AL (US)
35662

(**) Term: **14 Years**

(21) Appl. No.: **29/159,452**

(22) Filed: **Apr. 23, 2002**

Related U.S. Application Data

(63) Continuation of application No. 09/770,232, filed on Jan. 29,
2001, now abandoned.

(51) **LOC (7) Cl.** **19-02**

(52) **U.S. Cl.** **D19/95; D19/82**

(58) **Field of Search** D19/23, 35, 36,
D19/53, 65, 75, 78, 86, 81-85, 95, 99,
100; D6/300; 108/26, 27, 28, 90; 248/346.01,
345.1, 633; 428/537.1, 113; 312/231, 232;
D14/458

(56) **References Cited**

U.S. PATENT DOCUMENTS

2,308,654 A	1/1943	Goldstein	
D194,725 S	2/1963	Monteverdi	
D201,728 S	7/1965	Bunn	
3,362,666 A *	1/1968	O'Donnell	248/633
3,744,435 A	7/1973	Tracy et al.	
D232,935 S	9/1974	Stabel, II	
4,189,857 A *	2/1980	Fujisawa	40/800
D258,293 S	2/1981	Macowski	
4,292,352 A	9/1981	Singer	
D277,874 S	3/1985	Zeischegg et al.	
4,529,226 A	7/1985	Weinman	
4,748,574 A	5/1988	Tuchto	
5,022,170 A	6/1991	House	
D323,191 S	1/1992	Prey	
D331,257 S	11/1992	Breen et al.	
D335,148 S	4/1993	Barbieri	

5,275,862 A *	1/1994	Ramadan et al.	428/113
5,372,892 A *	12/1994	Keith	428/537.1
5,386,964 A	2/1995	Mayo	
D365,342 S *	12/1995	Evenson et al.	D14/458
5,727,766 A	3/1998	Mayo	
5,791,620 A *	8/1998	Carcich, Jr.	248/346.01
5,833,196 A *	11/1998	Keith	248/345.1

OTHER PUBLICATIONS

US Office Products Catalog, p. 548—Desk Pads; 2000.
AJ Stationers “Office Plus” Catalog, pp. 488, 499—Desk
Pads; 2000.

* cited by examiner

Primary Examiner—Martie K. Holtje

(74) *Attorney, Agent, or Firm*—Nixon & Vanderhye P.C.

(57) **CLAIM**

The ornamental design for a “desk accessory pad”, as shown
and described.

DESCRIPTION

FIG. 1 is a top view of the desk accessory pad in accordance
with a first embodiment of the invention;

FIG. 2 is a front elevation of the desk accessory pad shown
in FIG. 1, the rear elevation being substantially identical
thereto;

FIG. 3 is a right side elevation of the desk accessory pad
shown in FIG. 1, the left side elevation being identical
thereto;

FIG. 4 is a right, top perspective view of the desk accessory
pad shown in FIG. 1;

FIG. 5 is a bottom plan view of the desk accessory pad
shown in FIG. 1; and,

FIG. 6 is a plan view of the desk accessory pad in accor-
dance with a second embodiment of the invention.

The broken lines in FIG. 1 are merely intended to convey
that the length width dimension ratio may vary.

1 Claim, 6 Drawing Sheets

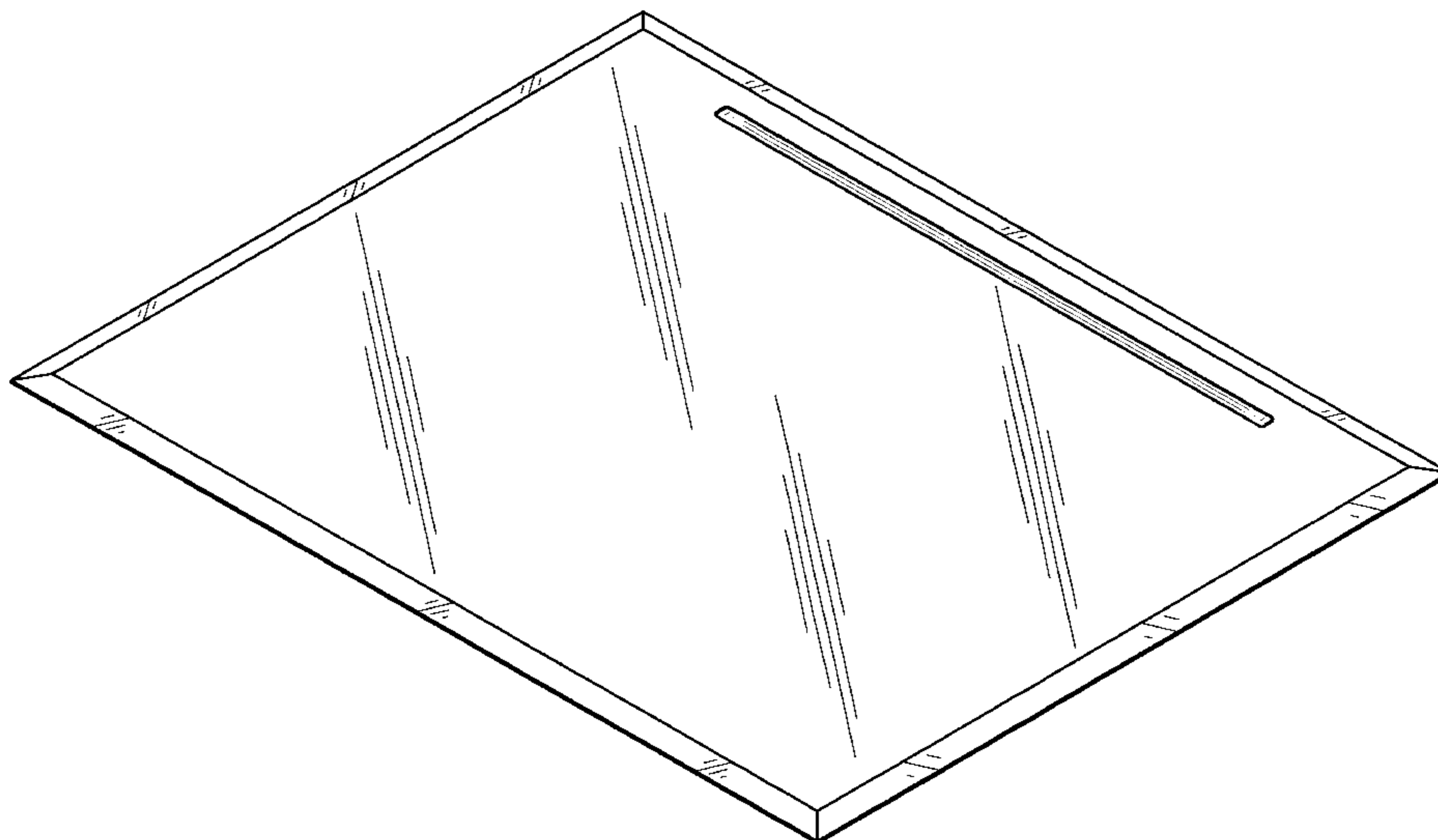
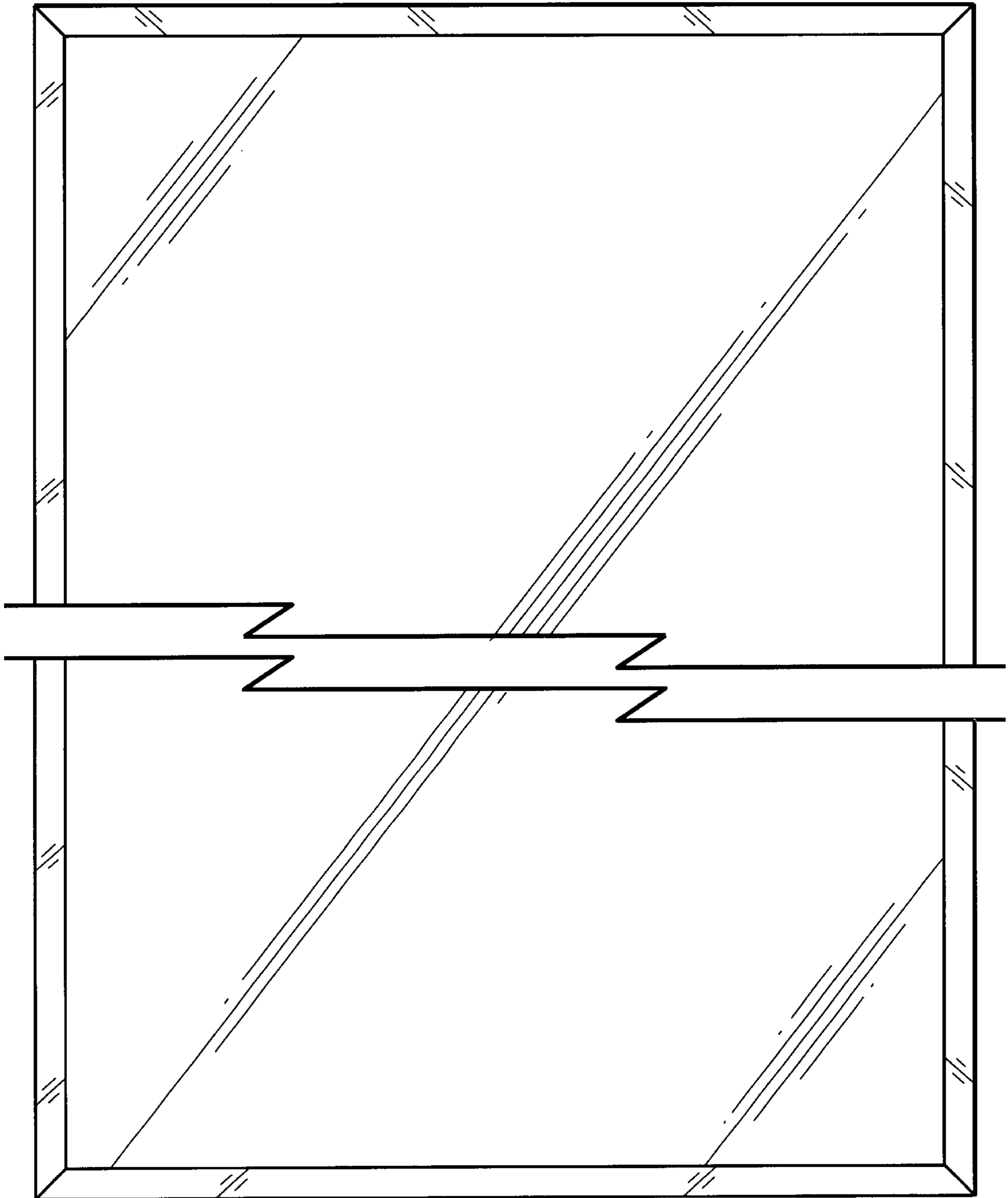


Fig. 1



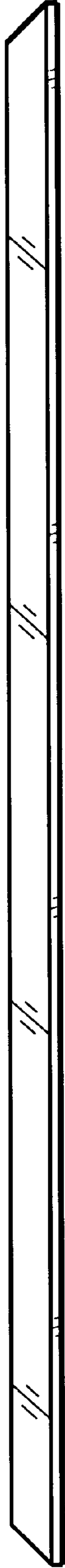


Fig. 2



Fig. 3

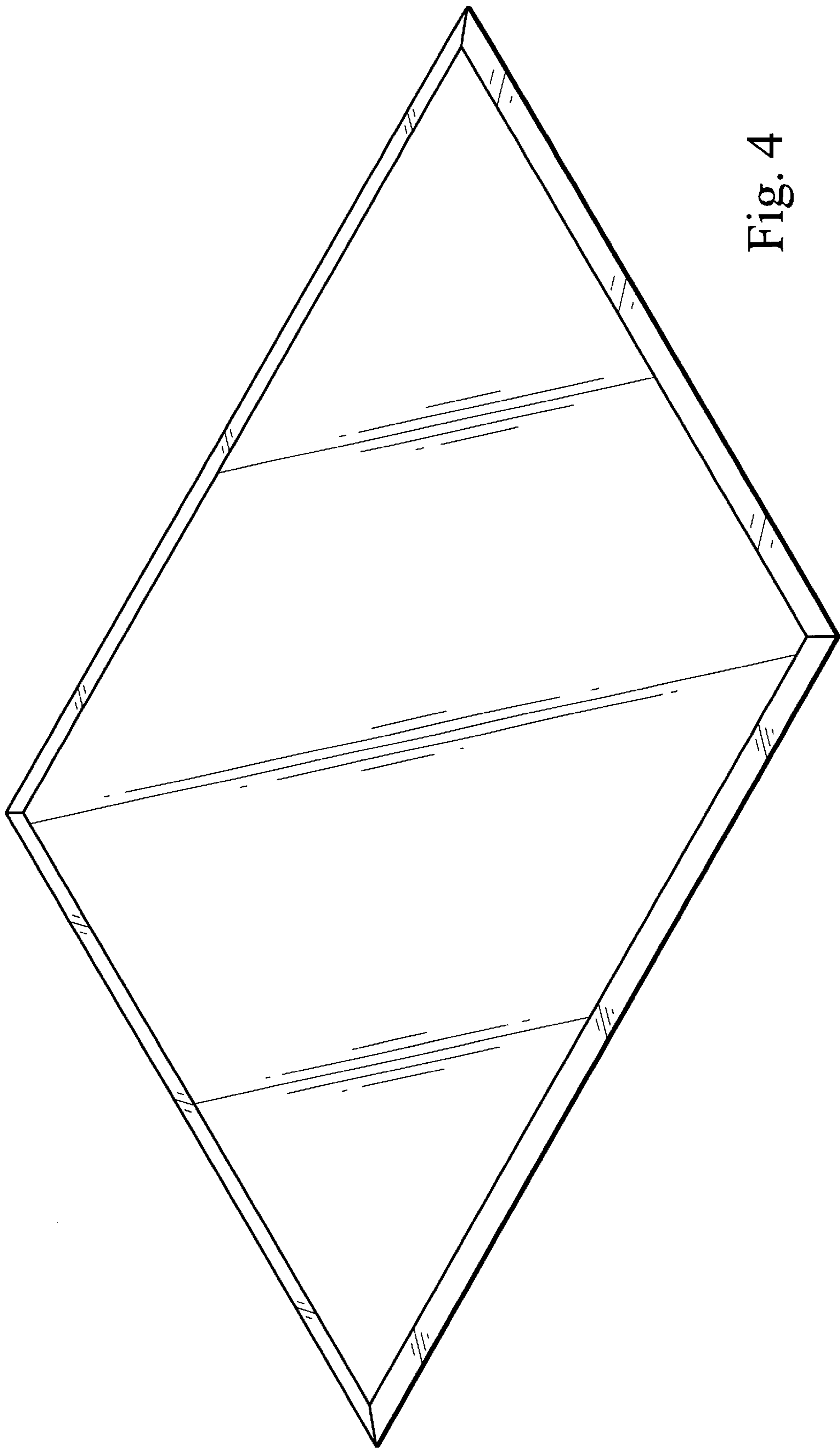
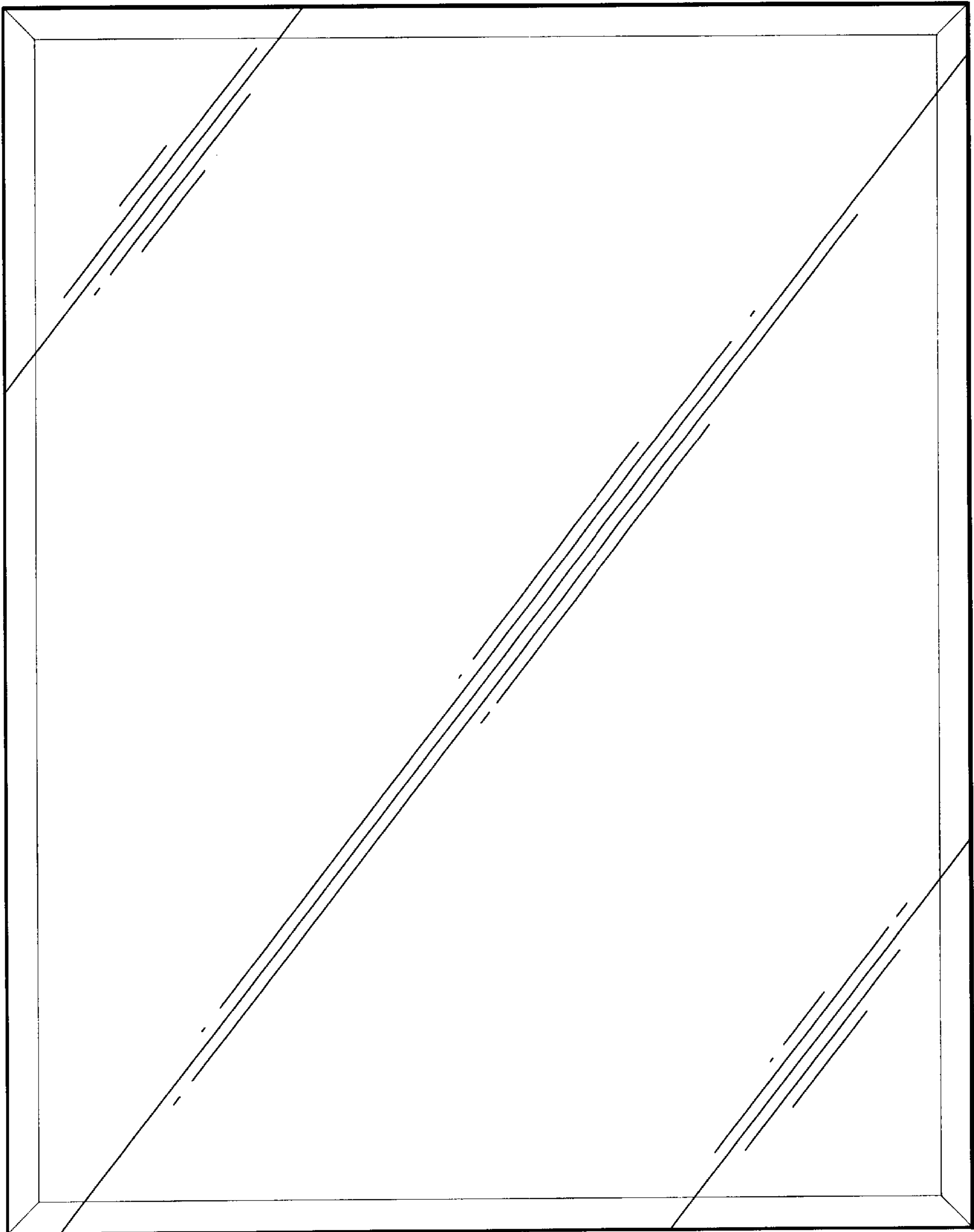


Fig. 4

Fig. 5



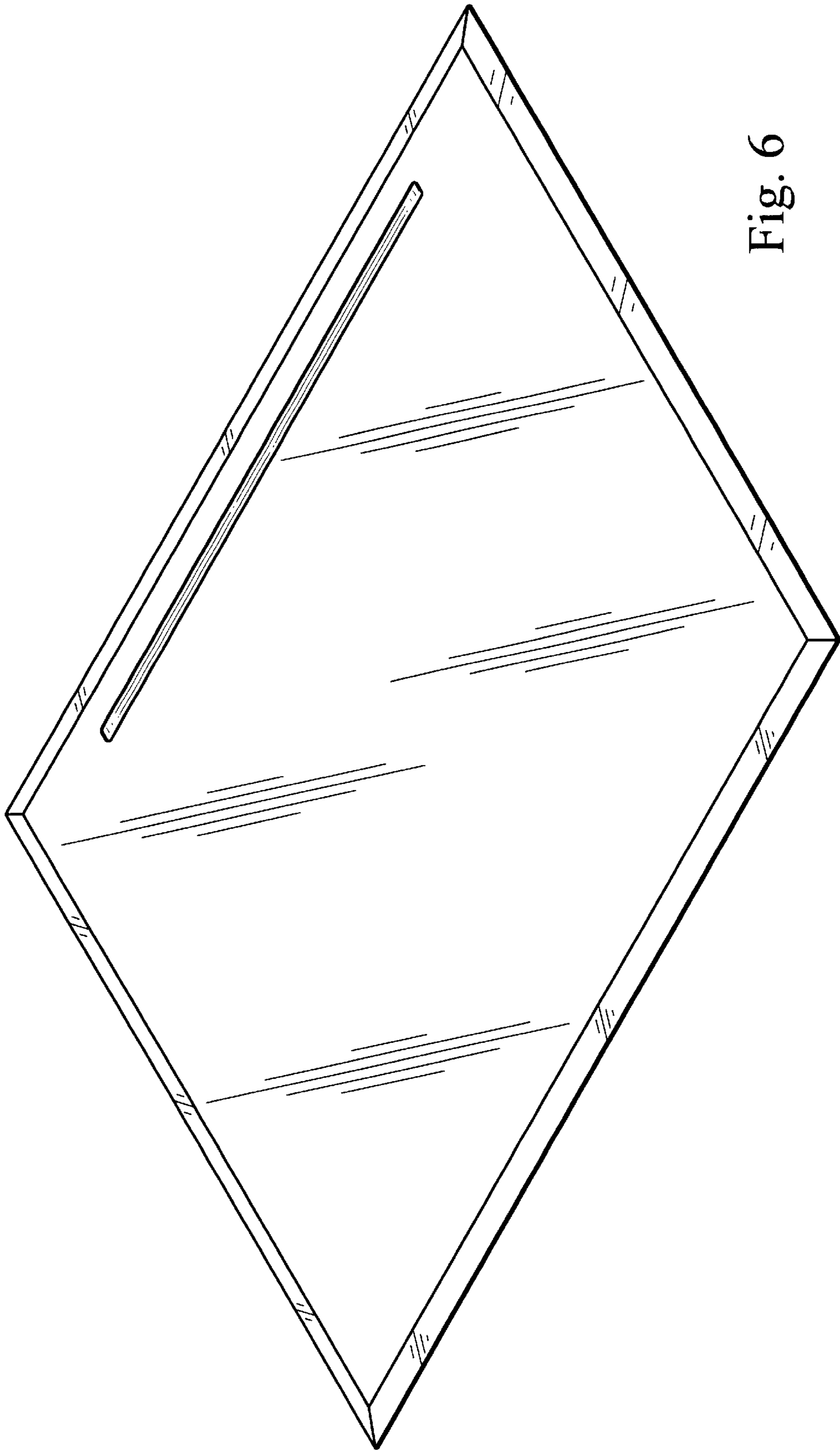


Fig. 6