



US00D471228S

(12) **United States Design Patent**  
**Okabe et al.**

(10) **Patent No.:** **US D471,228 S**

(45) **Date of Patent:** **\*\* Mar. 4, 2003**

(54) **TONER CARTRIDGE**  
(75) Inventors: **Yasushi Okabe**, Nagoya (JP); **Makoto Ishii**, Nagoya (JP); **Shigeharu Katayama**, Kakamigahara (JP)

(73) Assignee: **Brother Industries, Ltd.**, Nagoya (JP)

(\*\*) Term: **14 Years**

(21) Appl. No.: **29/165,451**

(22) Filed: **Aug. 12, 2002**

(30) **Foreign Application Priority Data**

Mar. 25, 2002 (JP) ..... 2002-007656

(51) **LOC (7) Cl.** ..... **16-03**

(52) **U.S. Cl.** ..... **D18/43**

(58) **Field of Search** ..... D18/36, 40, 43;  
399/24, 27, 110, 120, 252, 253, 258, 262;  
222/DIG. 1

(56) **References Cited**

**U.S. PATENT DOCUMENTS**

D423,559 S	4/2000	Suzuki et al. ....	D18/40
6,101,350 A	8/2000	Suzuki et al. ....	399/113
6,195,822 B1	2/2001	Sato	
6,219,505 B1	4/2001	Sato et al. ....	399/98
D442,214 S	* 5/2001	Hayashi .....	D18/43
D442,216 S	5/2001	Kimura et al.	
D442,624 S	* 5/2001	Maeshima .....	D18/43
D447,511 S	9/2001	Kimura et al. ....	D18/43
6,304,735 B1	10/2001	Nishimura et al. ....	399/98
D450,080 S	* 11/2001	Ashikari .....	D18/40
6,321,050 B1	11/2001	Sato et al. ....	399/103
D451,538 S	* 12/2001	Schwamkrug et al. ....	D18/40
6,330,410 B1	12/2001	Okabe et al. ....	399/113
6,336,014 B1	1/2002	Sato et al. ....	399/103

6,337,956 B1	1/2002	Sato et al. ....	399/27
6,041,203 A1	3/2002	Suzuki et al. ....	399/111
6,356,723 B1	3/2002	Sato et al. ....	399/103
D422,304 S	4/2002	Suzuki et al. ....	D18/43
6,385,414 B1	5/2002	Sato et al. ....	399/98
6,411,789 B1	6/2002	Okabe et al. ....	399/113
6,456,810 B1	9/2002	Deguchi et al. ....	399/254

**OTHER PUBLICATIONS**

U.S. patent application Ser. No. 09/953,124, filed Sep. 17, 2001, Sato et al.

U.S. patent application Ser. No. 10/053,908, filed Jan. 24, 2002, Sato et al.

U.S. patent application Ser. No. 09/935,595, filed Aug. 24, 2001, Sato et al.

U.S. patent application Ser. No. 10/153,643, filed May 24, 2002, Okabe et al.

\* cited by examiner

*Primary Examiner*—Caron D. Veynar

(74) *Attorney, Agent, or Firm*—Oliff & Berridge, PLC

(57) **CLAIM**

The ornamental design for a toner cartridge, as shown and described.

**DESCRIPTION**

FIG. 1 is a perspective view of a toner cartridge;

FIG. 2 is a front view thereof;

FIG. 3 is a rear view thereof;

FIG. 4 is a left side view thereof;

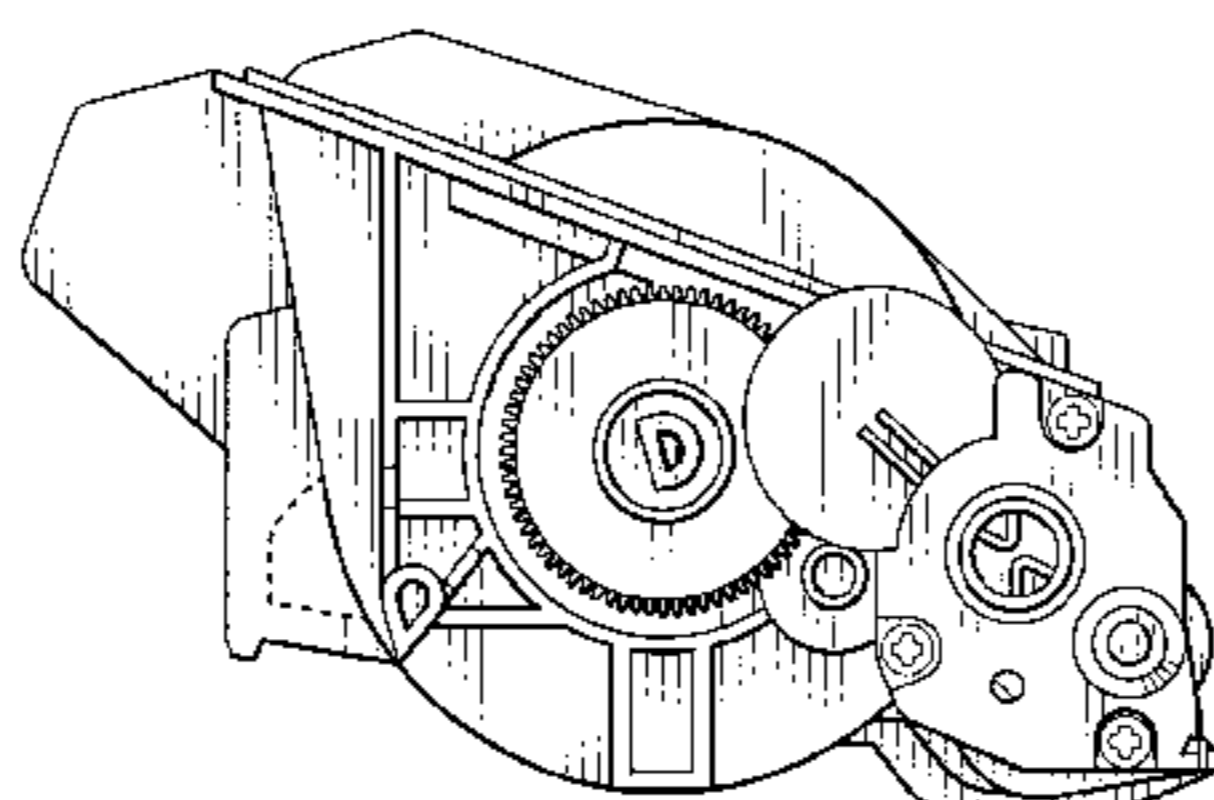
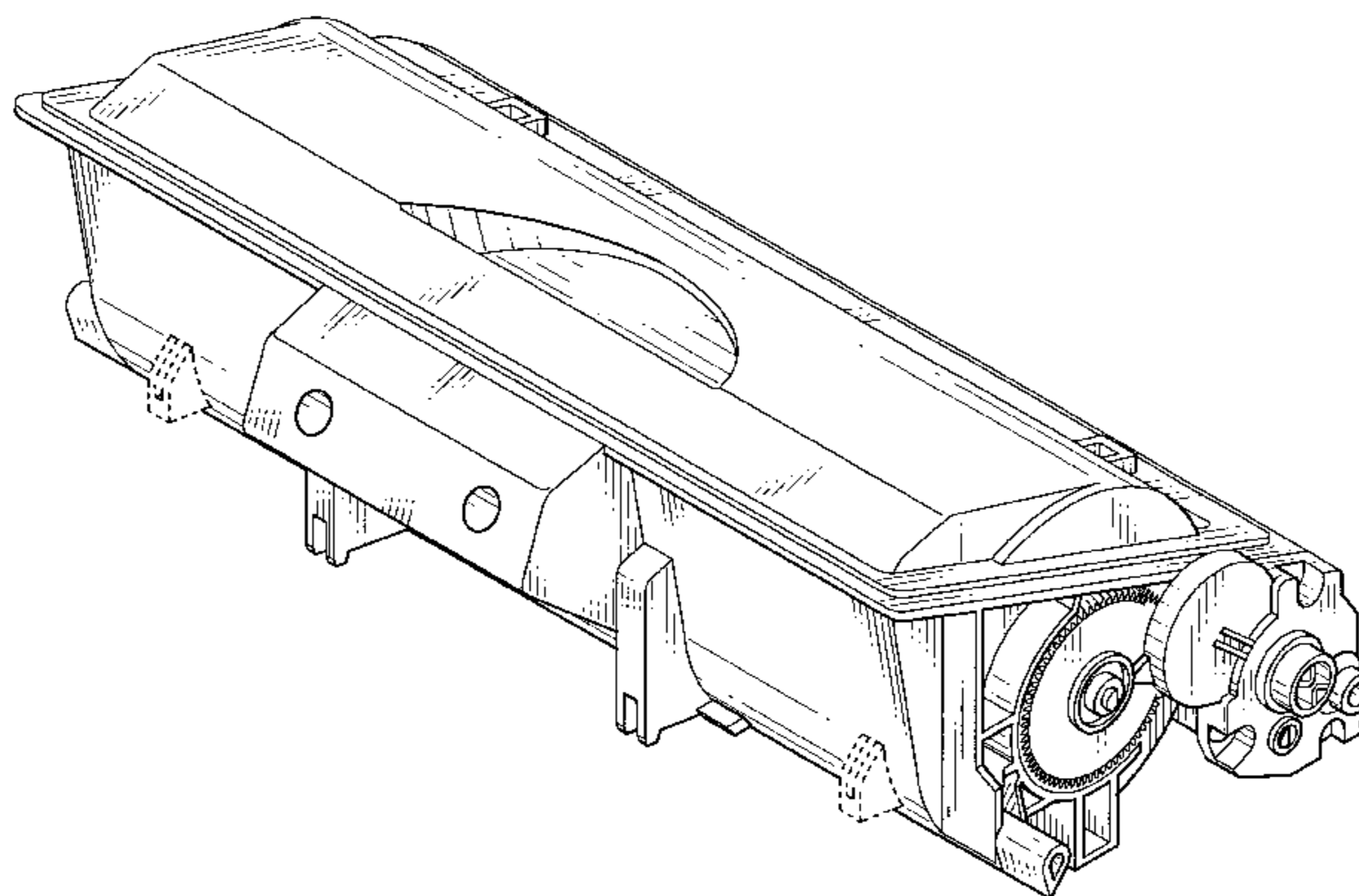
FIG. 5 is a right side view thereof;

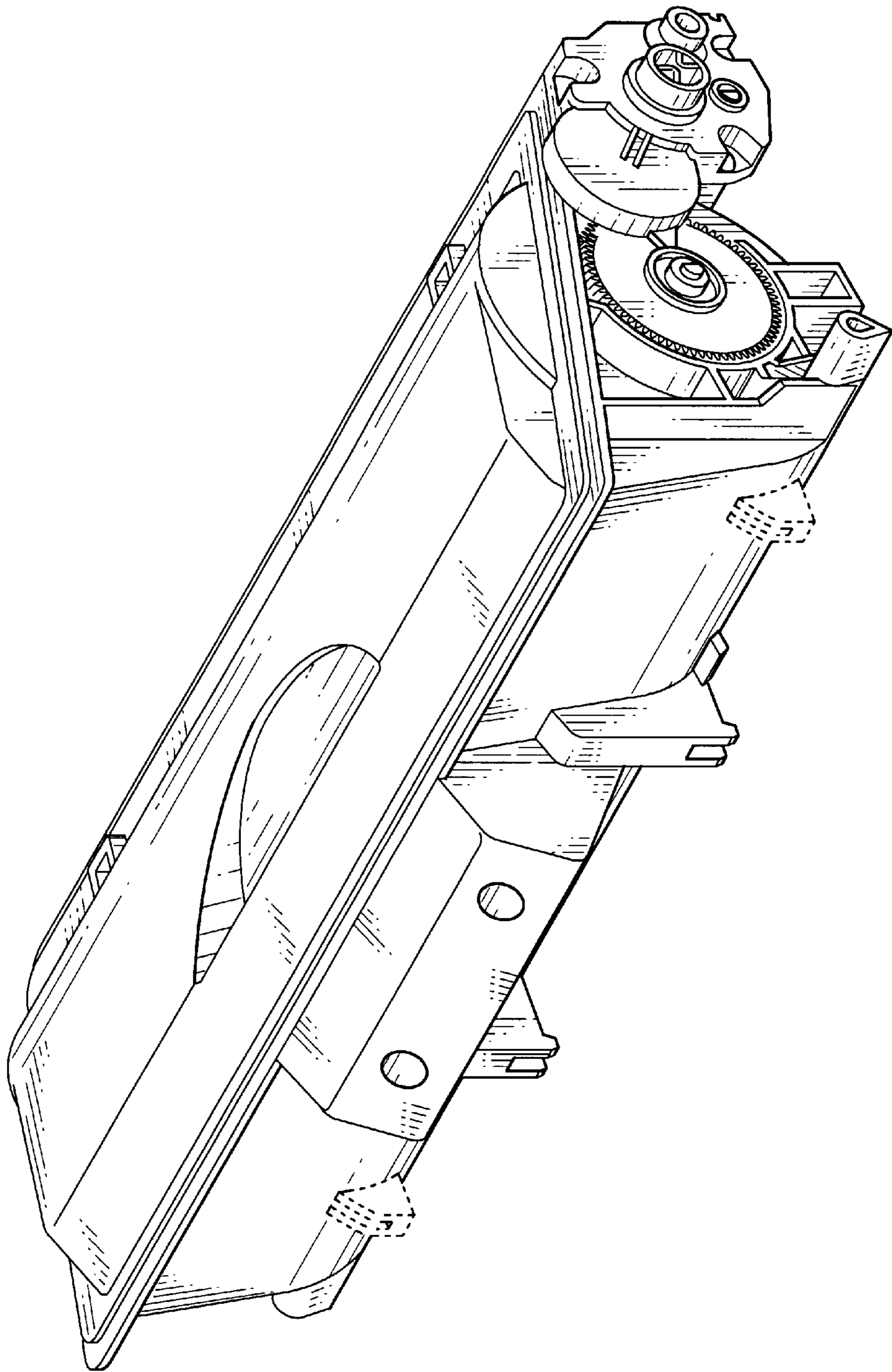
FIG. 6 is a top view thereof; and,

FIG. 7 is a bottom view thereof.

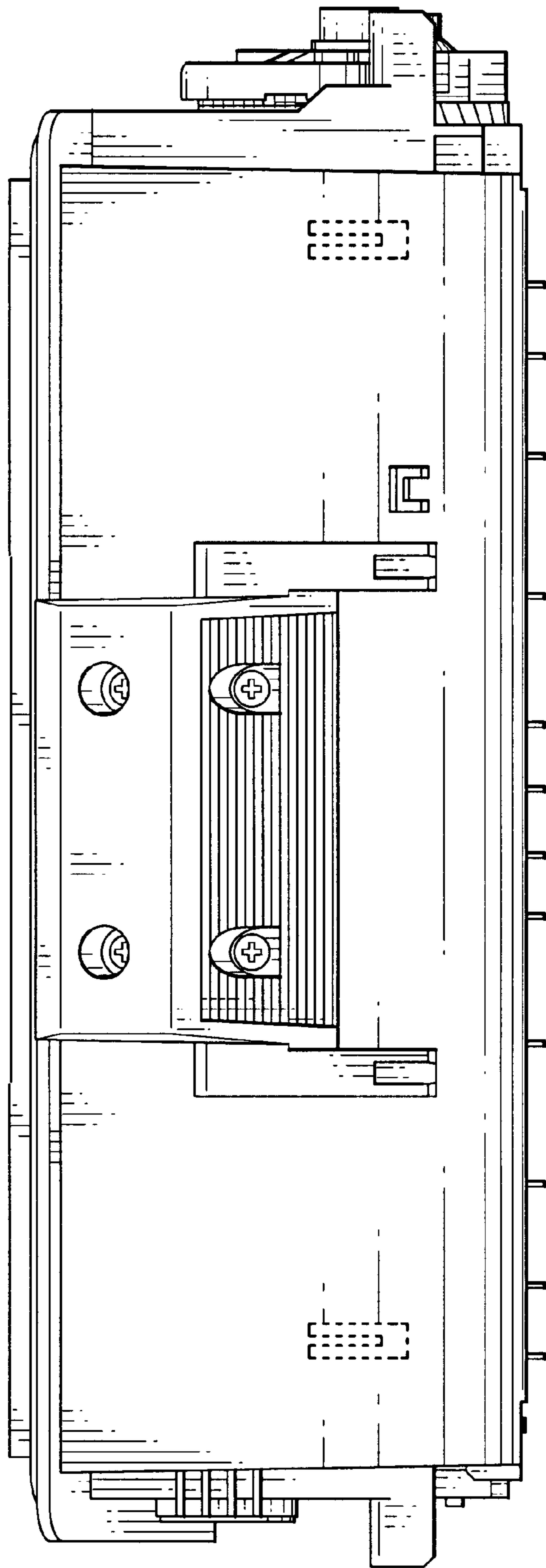
The broken line showing defines the bounds of the claimed design, but does not form part of the claimed design.

**1 Claim, 6 Drawing Sheets**

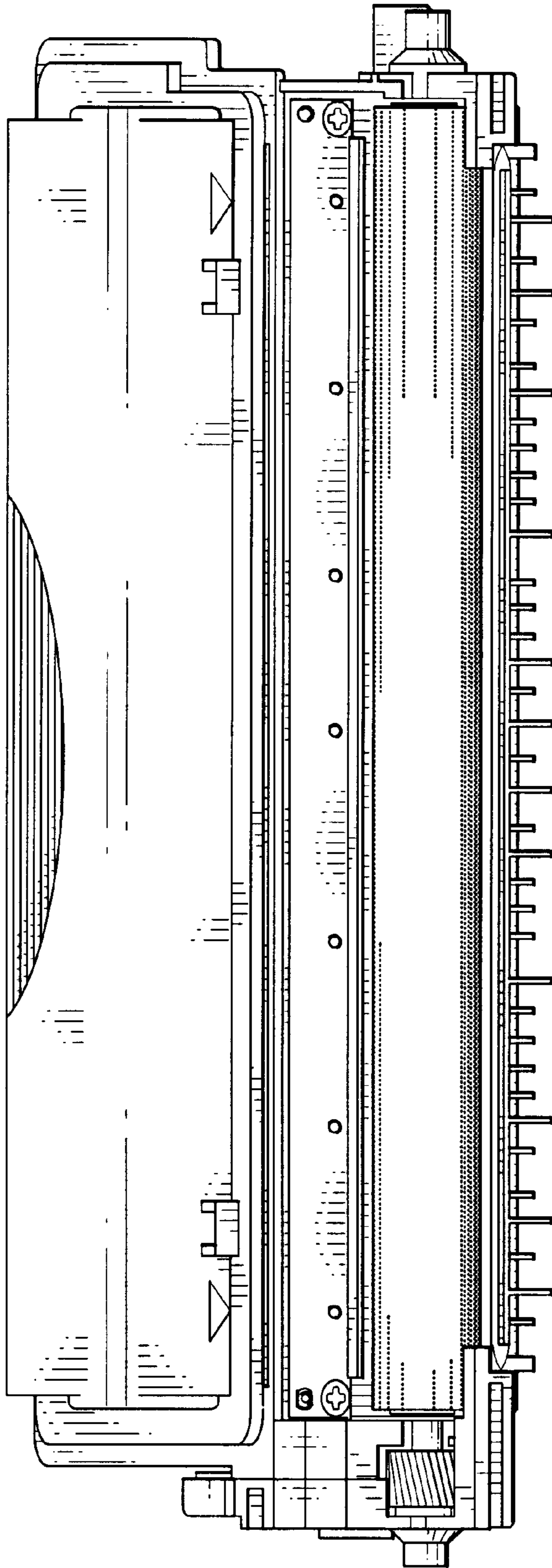




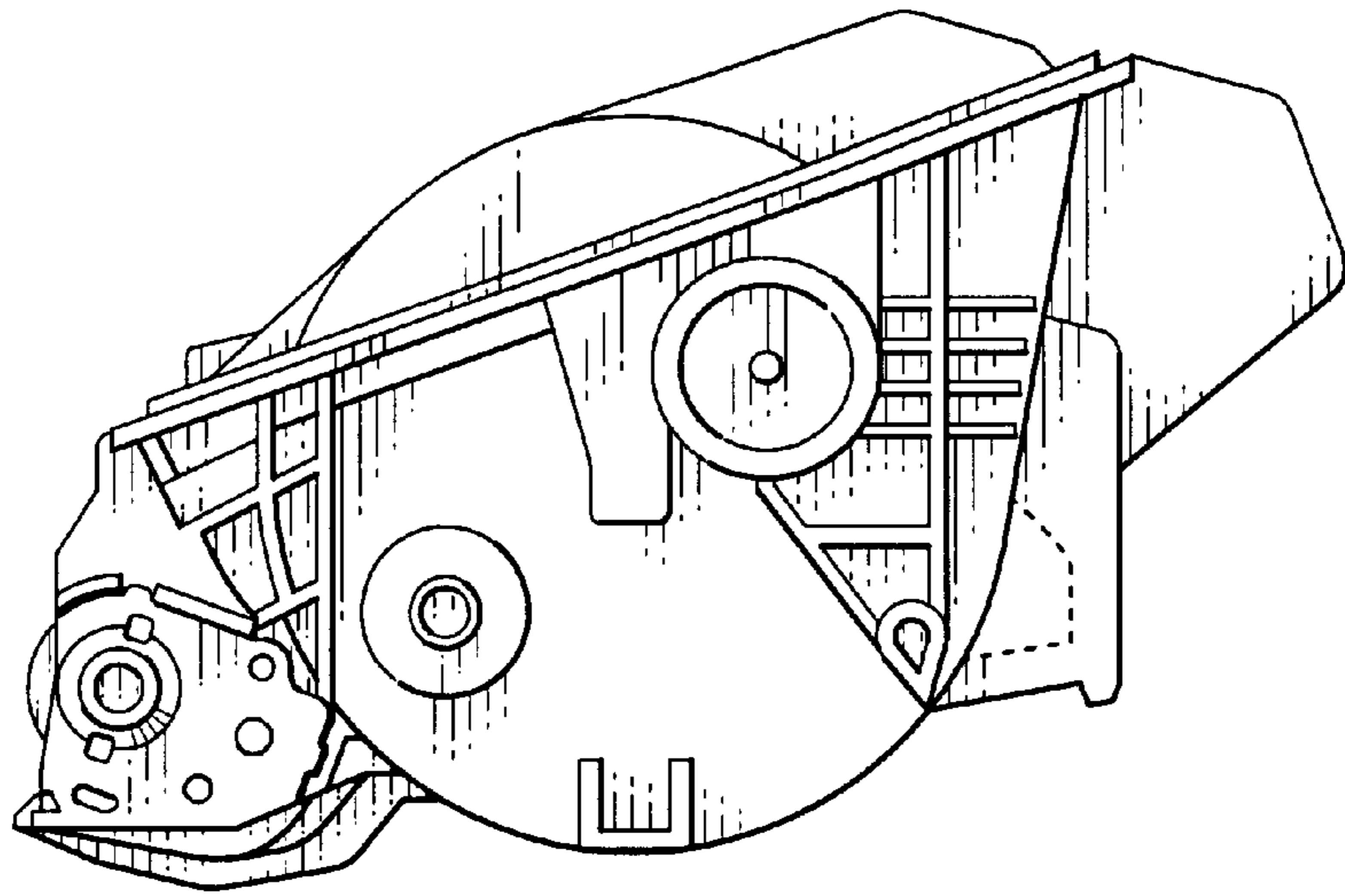
*Fig. 1*



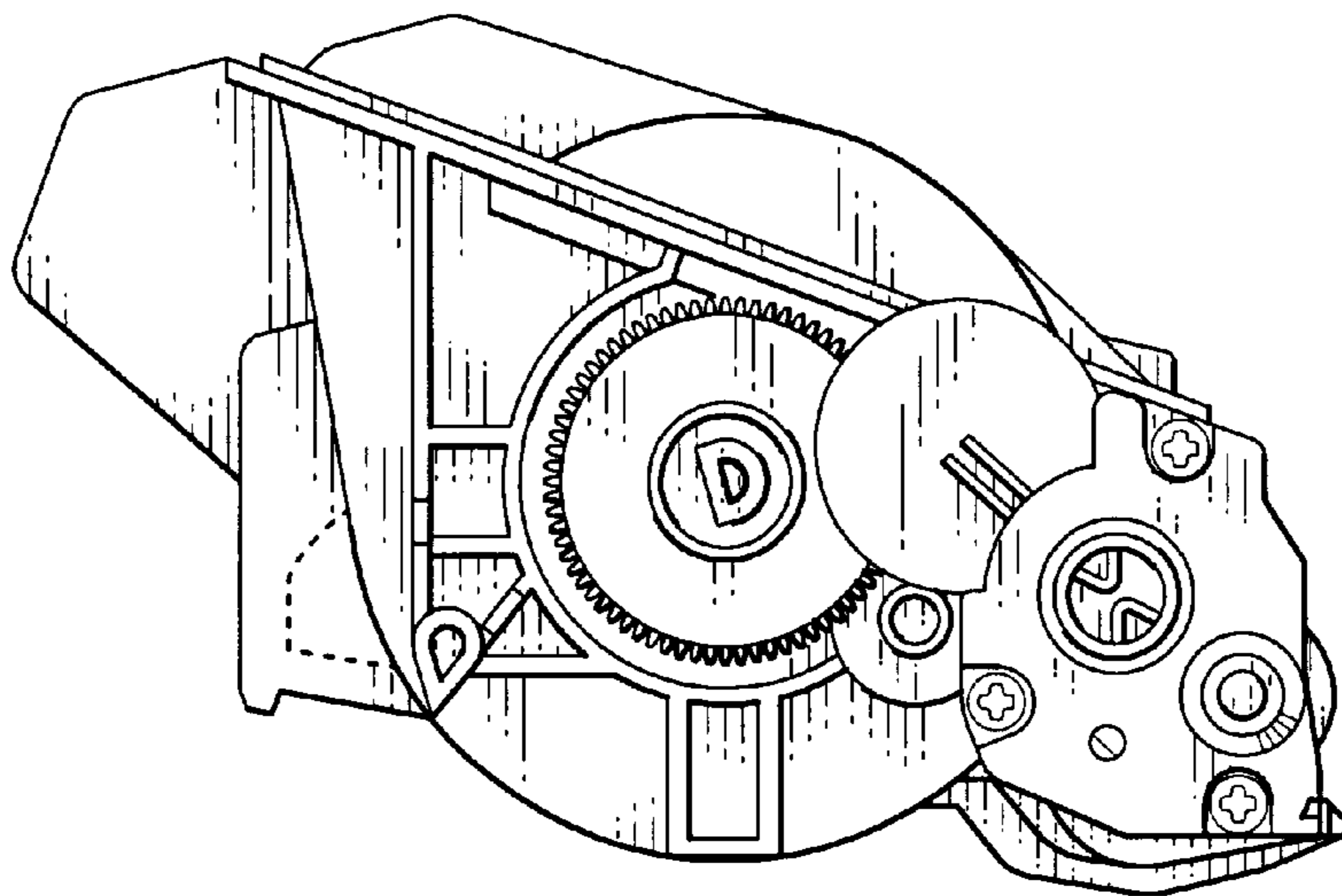
*Fig. 2*



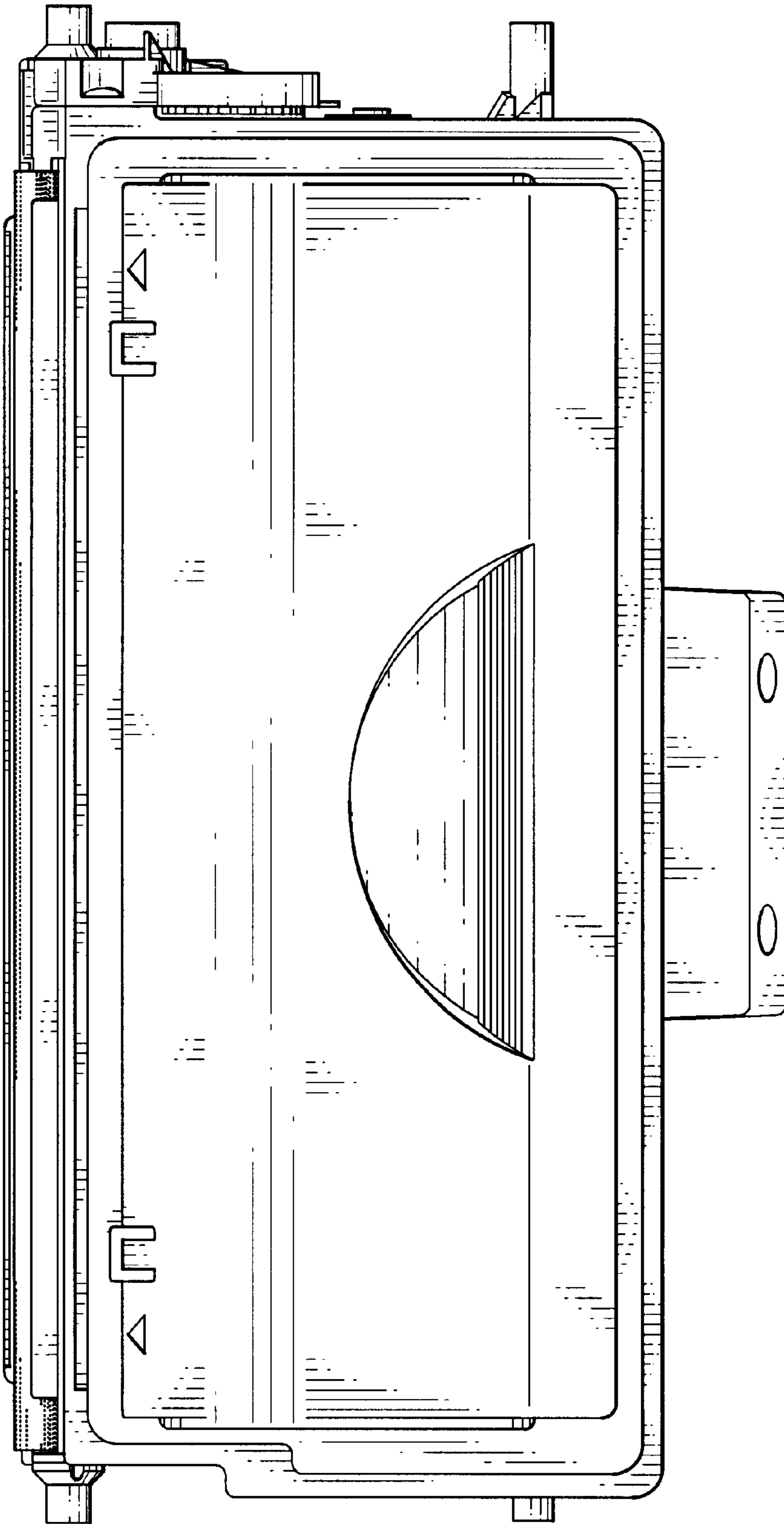
*Fig. 3*



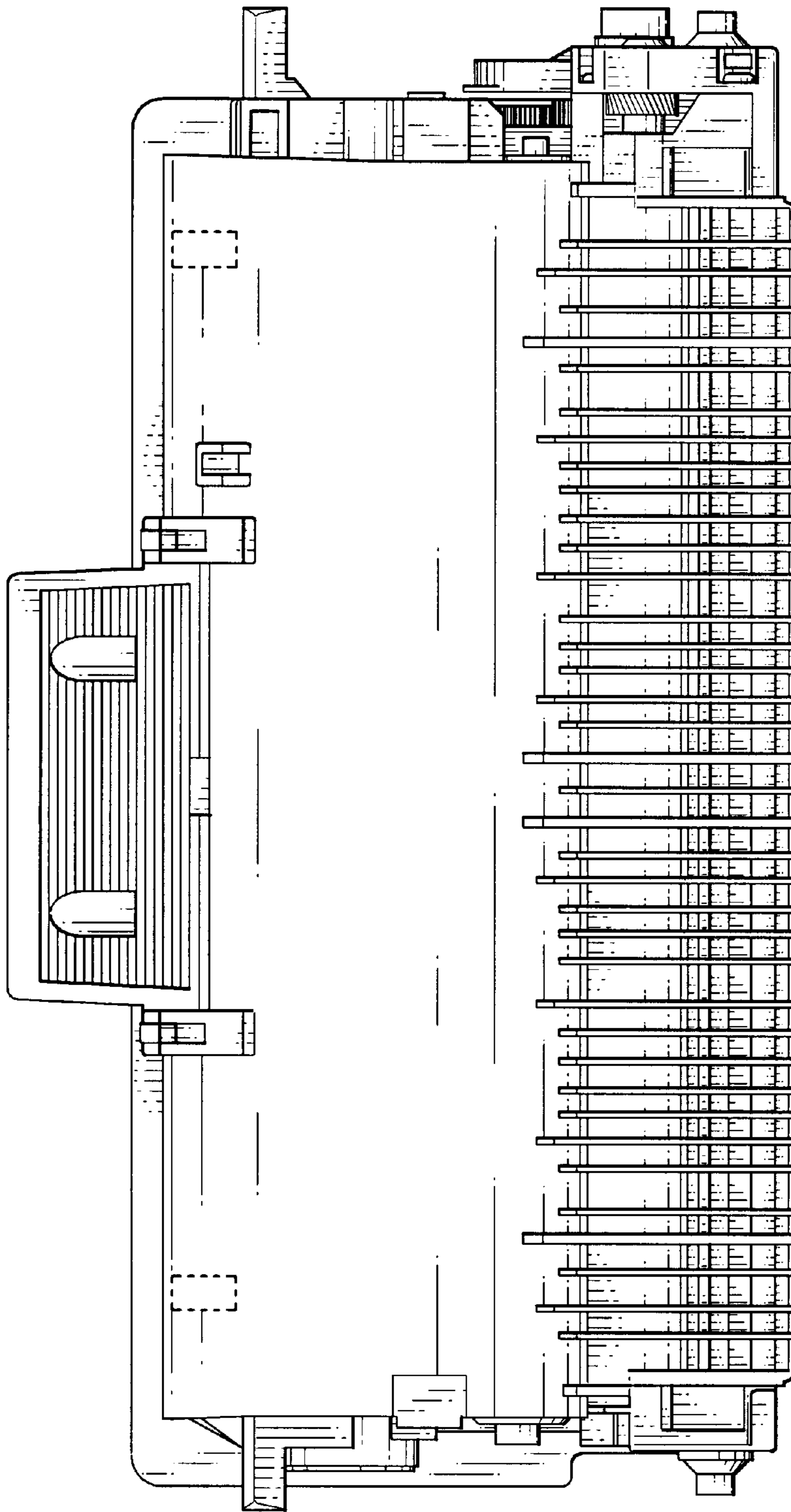
*Fig. 4*



*Fig. 5*



*Fig. 6*



*Fig. 7*