



US00D471222S

(12) **United States Design Patent**
Matsumura

(10) **Patent No.:** **US D471,222 S**

(45) **Date of Patent:** **** Mar. 4, 2003**

(54) **SINGLE-LENS REFLEX CAMERA**

D439,922 S * 4/2001 Kumakura D16/217
D446,235 S 8/2001 Morishita et al. D16/217

(75) Inventor: **Yoshiyuki Matsumura**, Yokosuka (JP)

FOREIGN PATENT DOCUMENTS

(73) Assignee: **Canon Kabushiki Kaisha**, Tokyo (JP)

JP 0920601-005 3/2000

(**) Term: **14 Years**

* cited by examiner

(21) Appl. No.: **29/153,631**

Primary Examiner—Adir Aronovich

(22) Filed: **Jan. 14, 2002**

(74) *Attorney, Agent, or Firm*—Fitzpatrick, Cella, Harper & Scinto

(30) **Foreign Application Priority Data**

(57) **CLAIM**

Jul. 25, 2001 (JP) 2001-021609

The ornamental design for a single-lens reflex camera, as shown and described.

(51) **LOC (7) Cl.** **16-01**

(52) **U.S. Cl.** **D16/217**

DESCRIPTION

(58) **Field of Search** D16/200–205,
D16/208, 209, 216–218; 396/354–359,
175, 176, 535–541

FIG. 1 is a front view of a single-lens reflex camera showing my new design;

FIG. 2 is a rear view thereof;

FIG. 3 is a top plan view thereof;

FIG. 4 is a bottom plan view thereof;

FIG. 5 is a left side view thereof;

FIG. 6 is a right side view thereof; and,

FIG. 7 is a perspective view thereof.

(56) **References Cited**

U.S. PATENT DOCUMENTS

4,406,533 A * 9/1983 Yamamoto 396/206
5,253,003 A * 10/1993 Fujii et al. 396/175
D425,094 S * 5/2000 Morishita et al. D16/217
D433,434 S * 11/2000 Hamamura D16/217

1 Claim, 4 Drawing Sheets

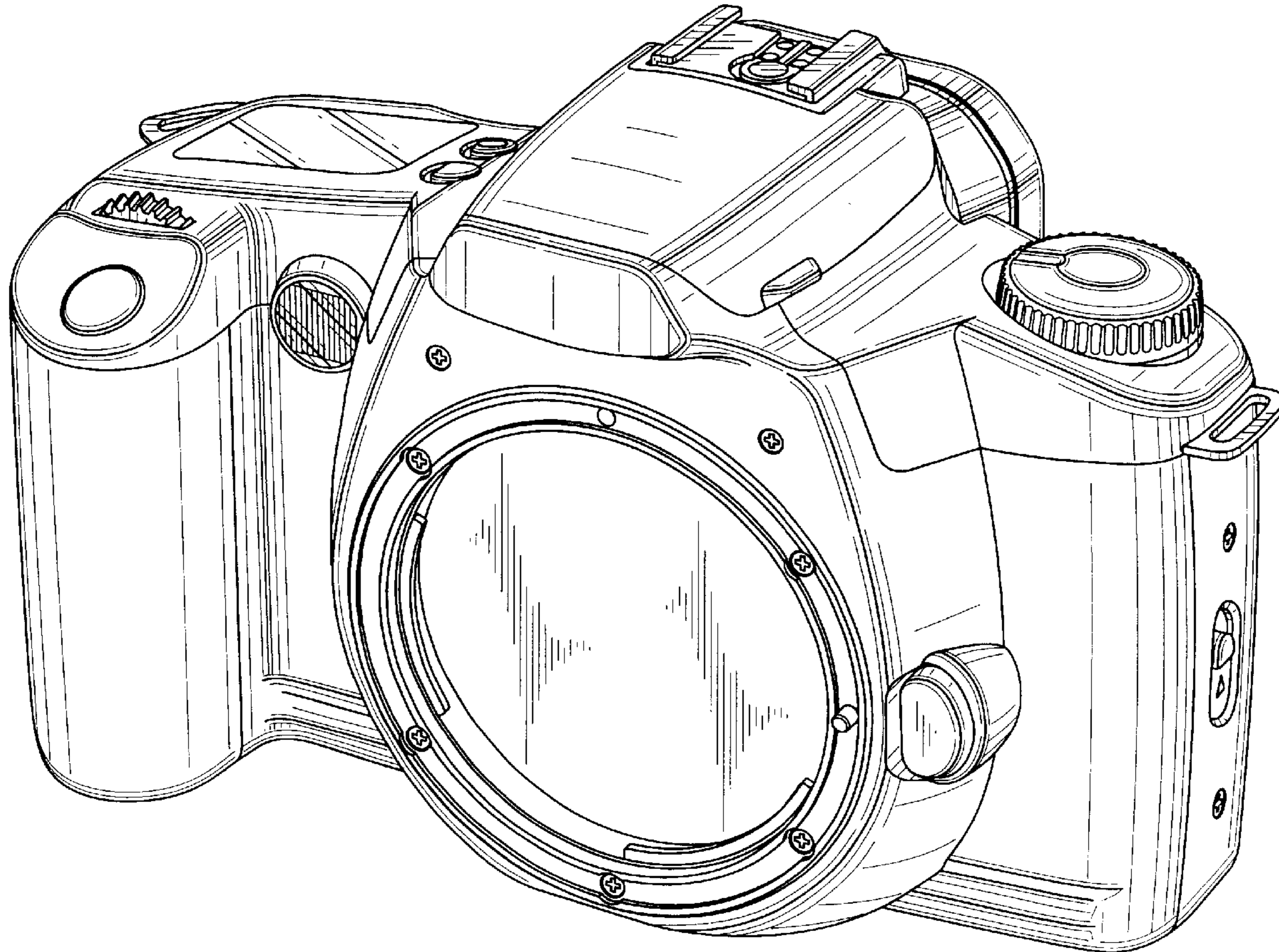


FIG. 1

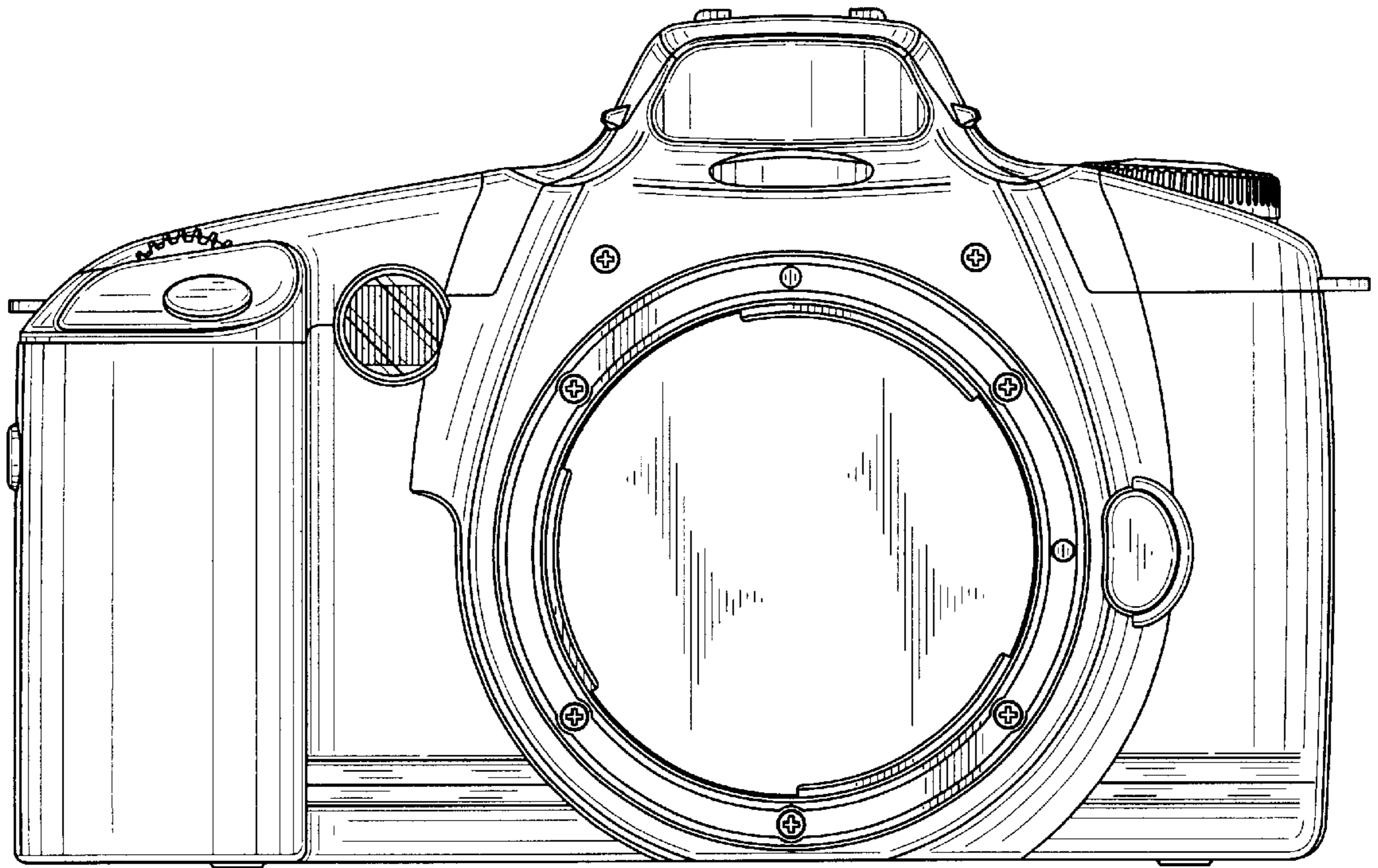


FIG. 2

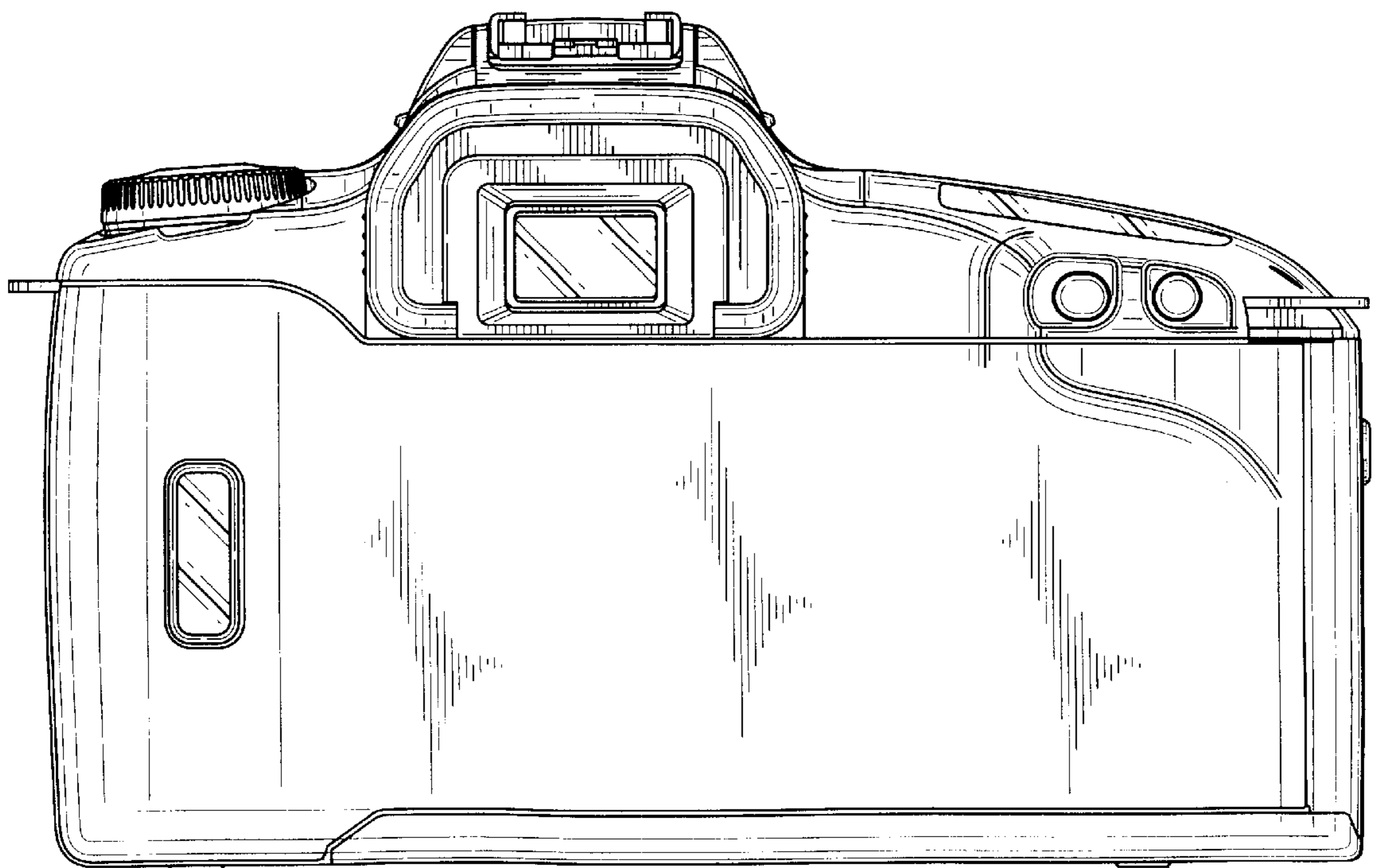


FIG. 3

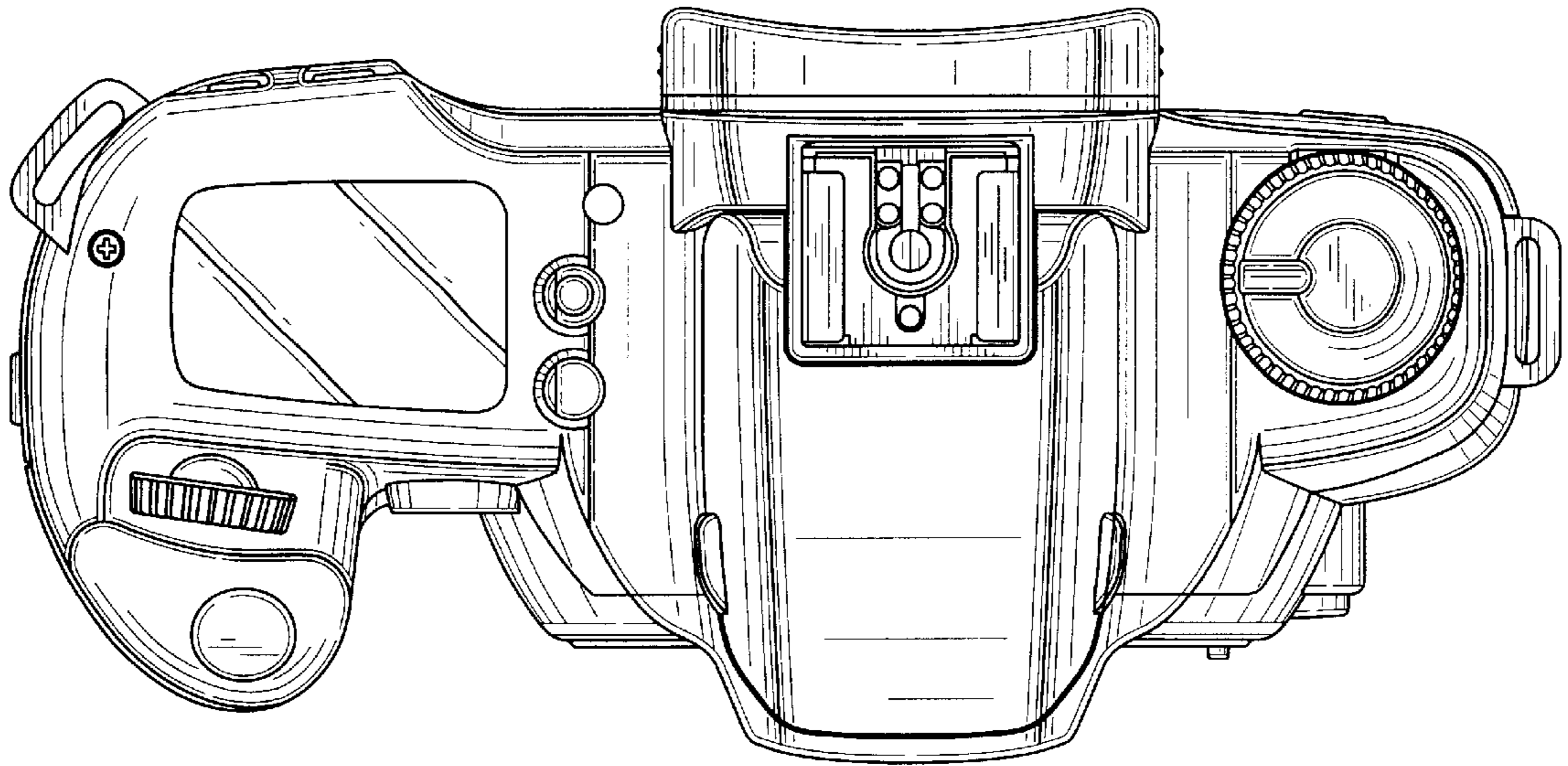


FIG. 4

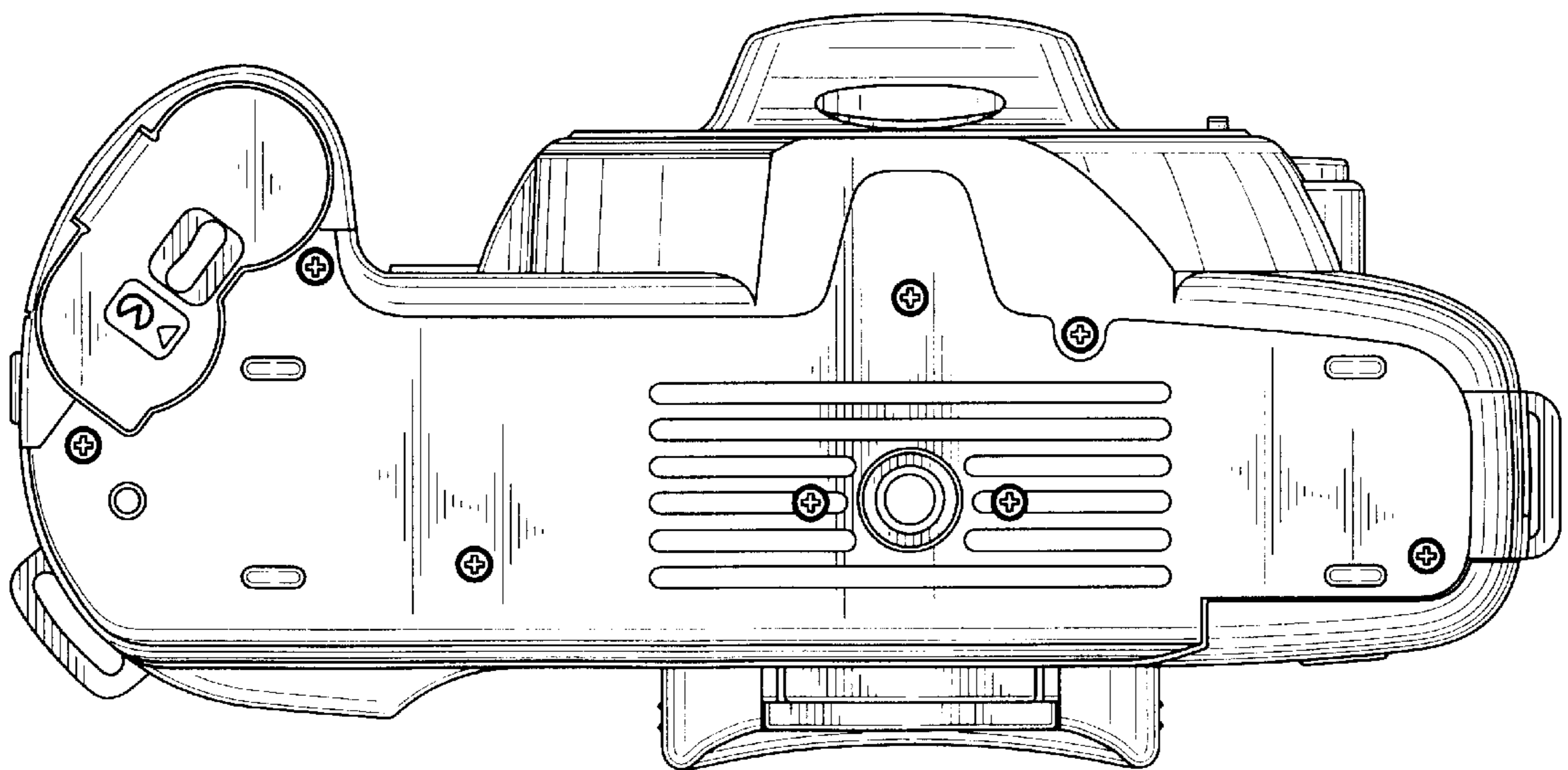


FIG. 5

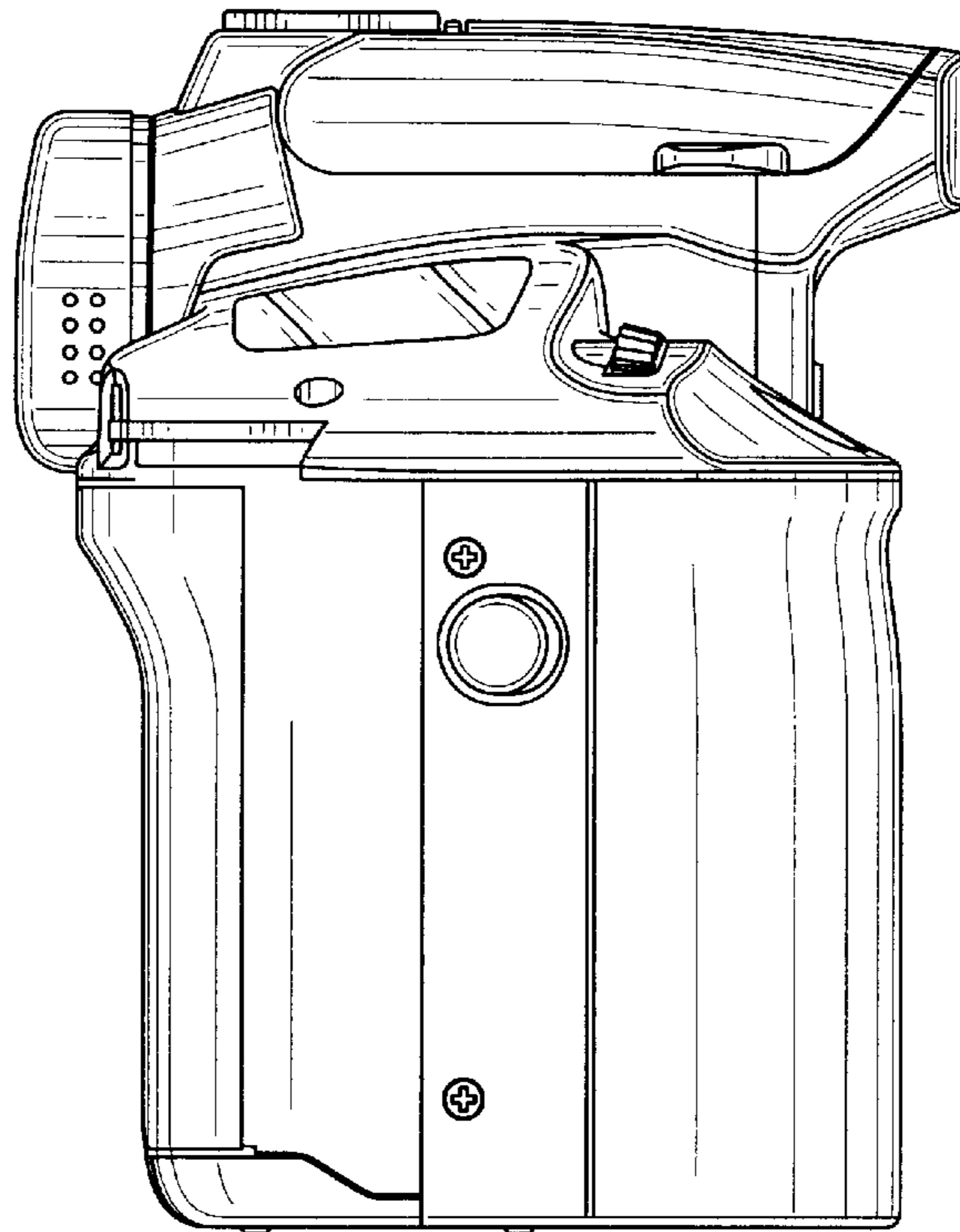


FIG. 6

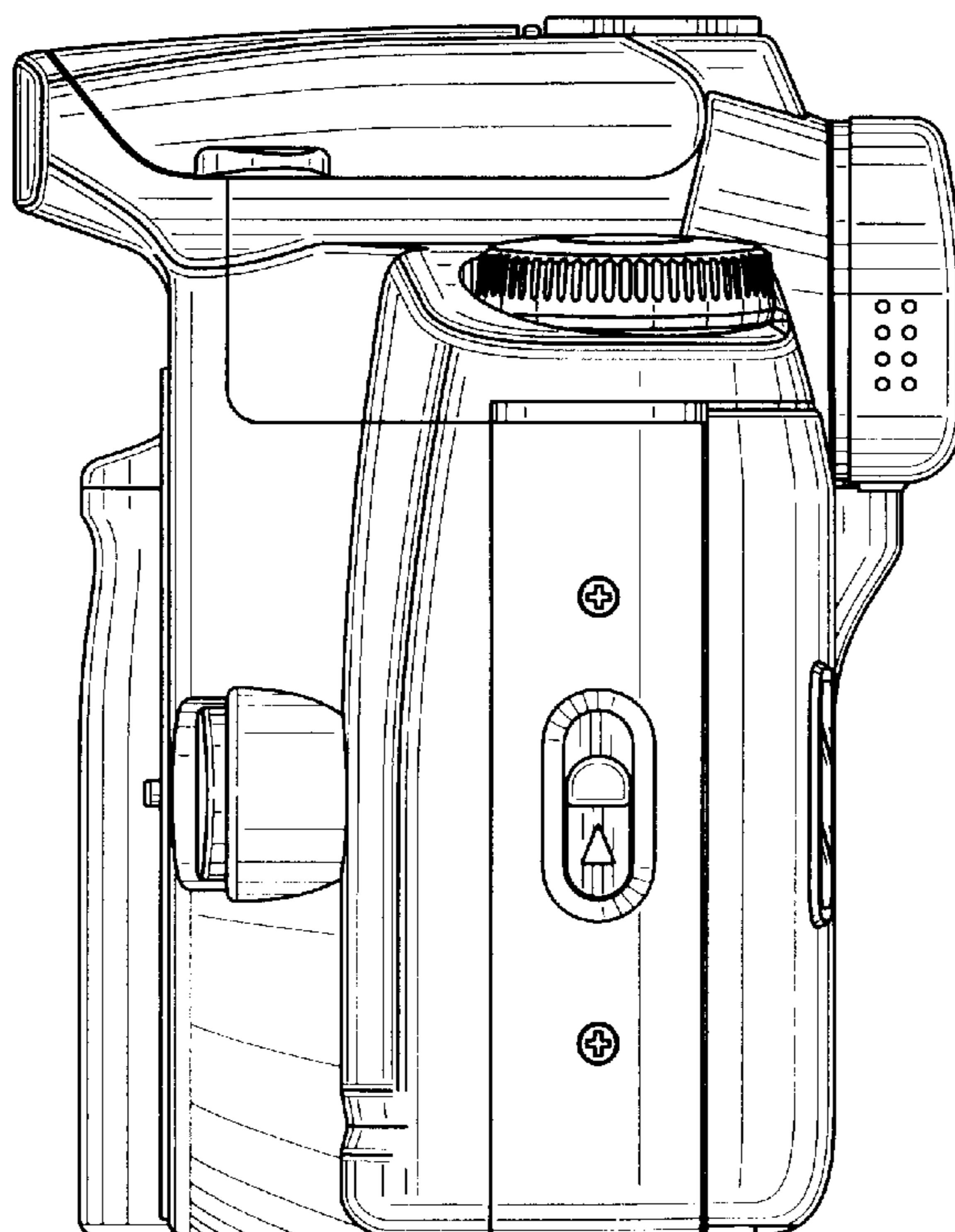


FIG. 7

