



US00D471220S

(12) **United States Design Patent**
Hamamura

(10) **Patent No.:** **US D471,220 S**

(45) **Date of Patent:** **** Mar. 4, 2003**

(54) **DIGITAL CAMERA**

FOREIGN PATENT DOCUMENTS

(75) Inventor: **Toshihiro Hamamura**, Tokyo (JP)

JP 1129208 12/2001

(73) Assignee: **Asahi Kogaku Kogyo Kabushiki Kaisha**, Tokyo (JP)

* cited by examiner

(**) Term: **14 Years**

Primary Examiner—Adir Aronovich

(74) *Attorney, Agent, or Firm*—Sughrue Mion, PLLC

(21) Appl. No.: **29/159,156**

(57) **CLAIM**

(22) Filed: **Apr. 17, 2002**

The ornamental design for a digital camera, as shown and described.

(30) **Foreign Application Priority Data**

DESCRIPTION

Oct. 25, 2001 (JP) 2001-031270

(51) **LOC (7) Cl.** **16-01**

(52) **U.S. Cl.** **D16/202; D16/218**

(58) **Field of Search** D16/200–206,
D16/208, 209, 217, 218; 348/373–376;
358/909.1; 396/535–541

FIG. 1 is a perspective view of the top, front and left side of a digital camera showing my new design;
FIG. 2 is a front elevational view thereof;
FIG. 3 is a top plan view thereof;
FIG. 4 is a left side elevational view thereof;
FIG. 5 is a right side elevational view thereof;
FIG. 6 is a rear elevational view thereof;
FIG. 7 is a bottom plan view thereof;
FIG. 8 is a view similar to FIG. 1 with the lens extended;
FIG. 9 is a front elevational view thereof with the viewing screen extended to the right side thereof;
FIG. 10 is a top plan view thereof; and,
FIG. 11 is a rear elevational view thereof.

(56) **References Cited**

U.S. PATENT DOCUMENTS

- 4,943,822 A * 7/1990 Braunhut 396/535
- D431,583 S * 10/2000 Matsuda D16/202
- D457,903 S 5/2002 Nasu
- D462,371 S * 9/2002 Hamamura D16/202
- D462,705 S * 9/2002 Hamamura D16/202
- D462,706 S * 9/2002 Hamamura D16/202

1 Claim, 7 Drawing Sheets

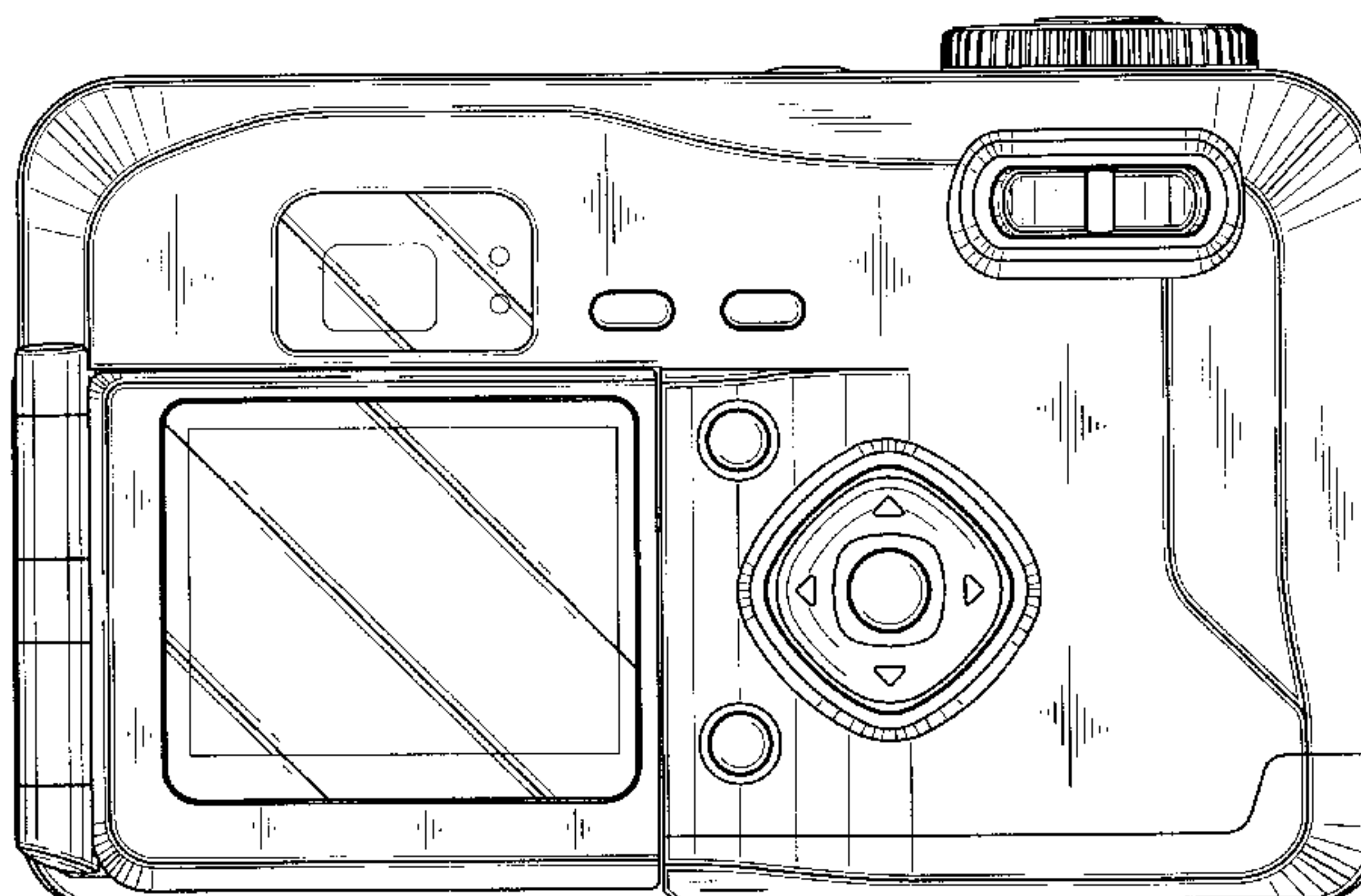
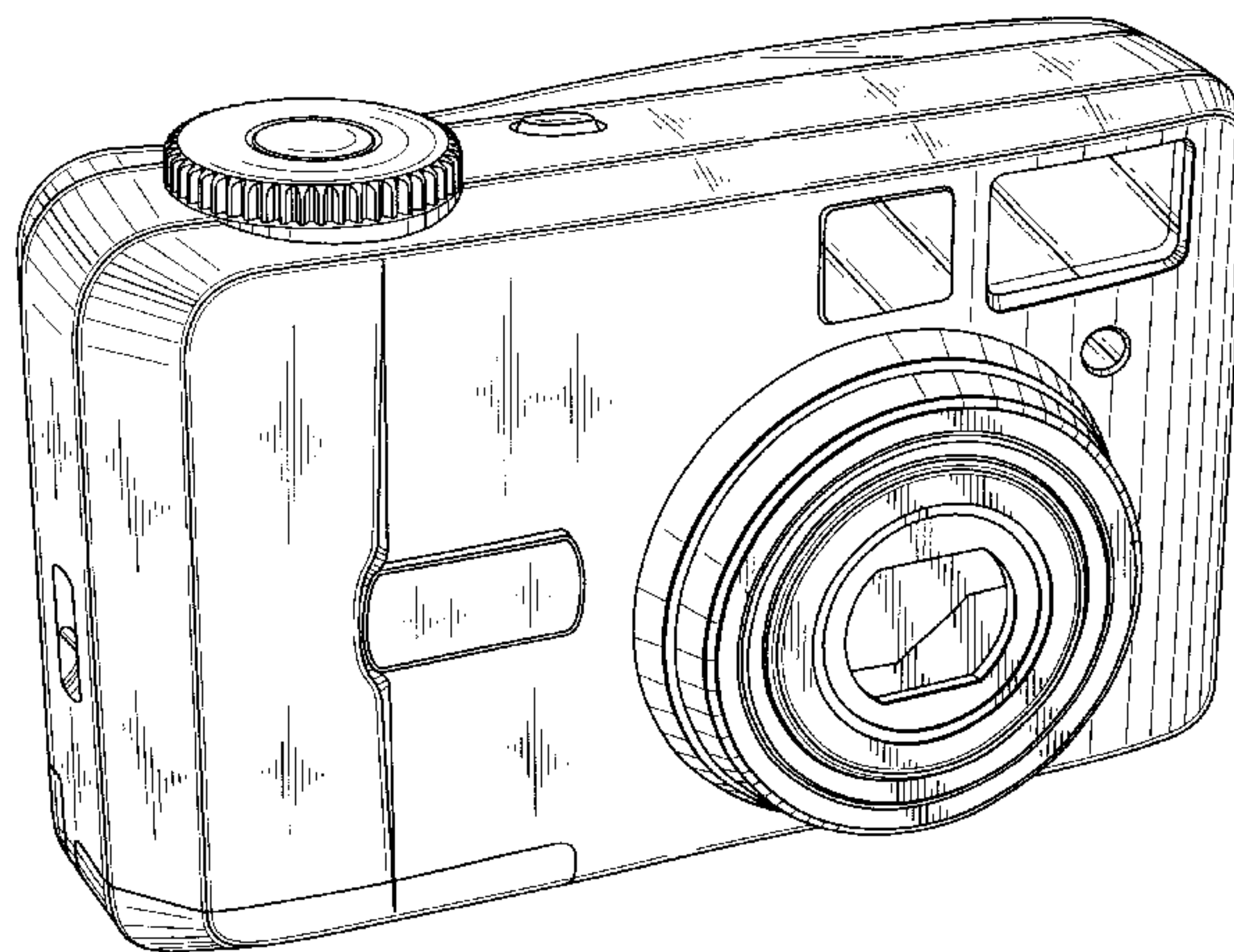


FIG. 1

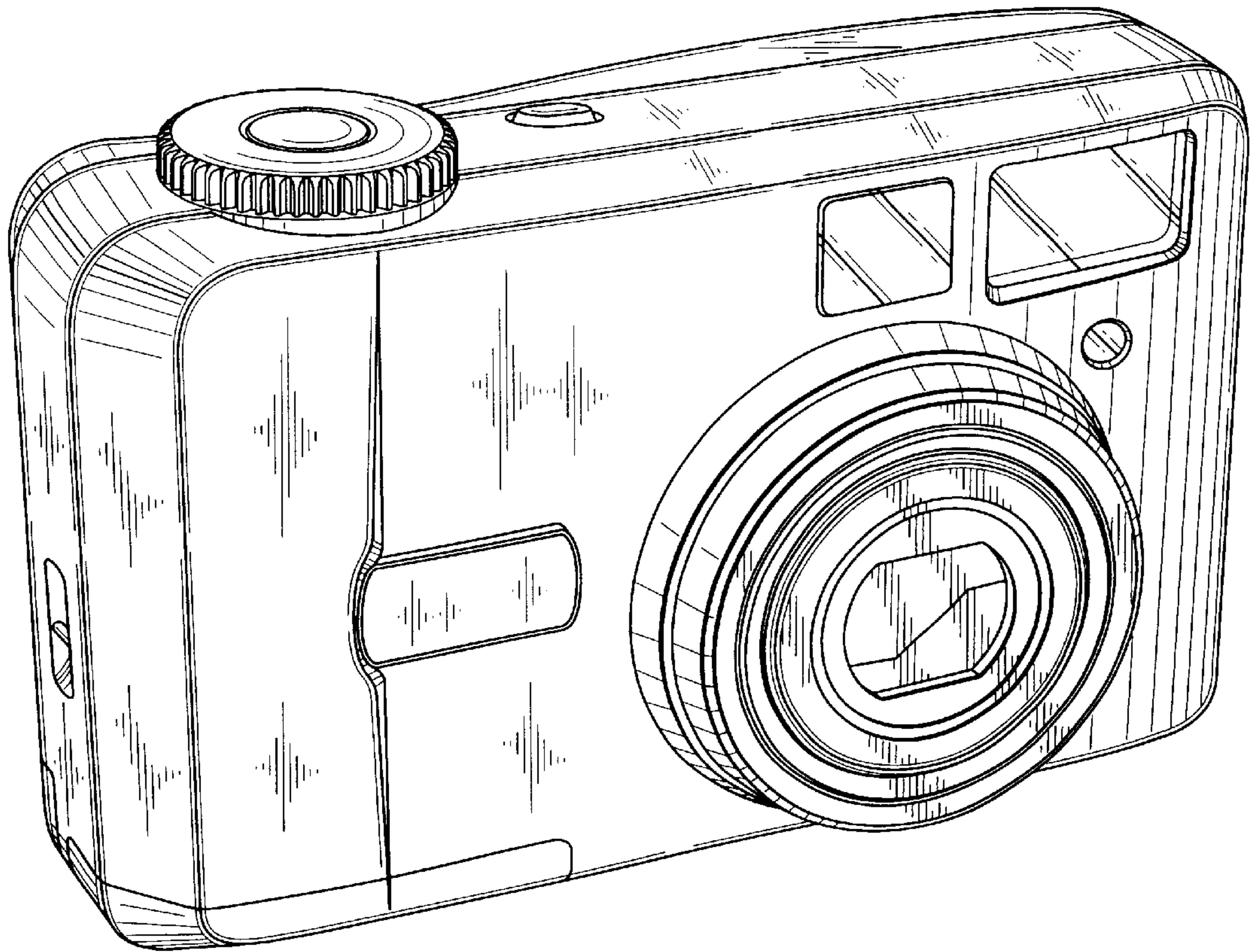


FIG. 2

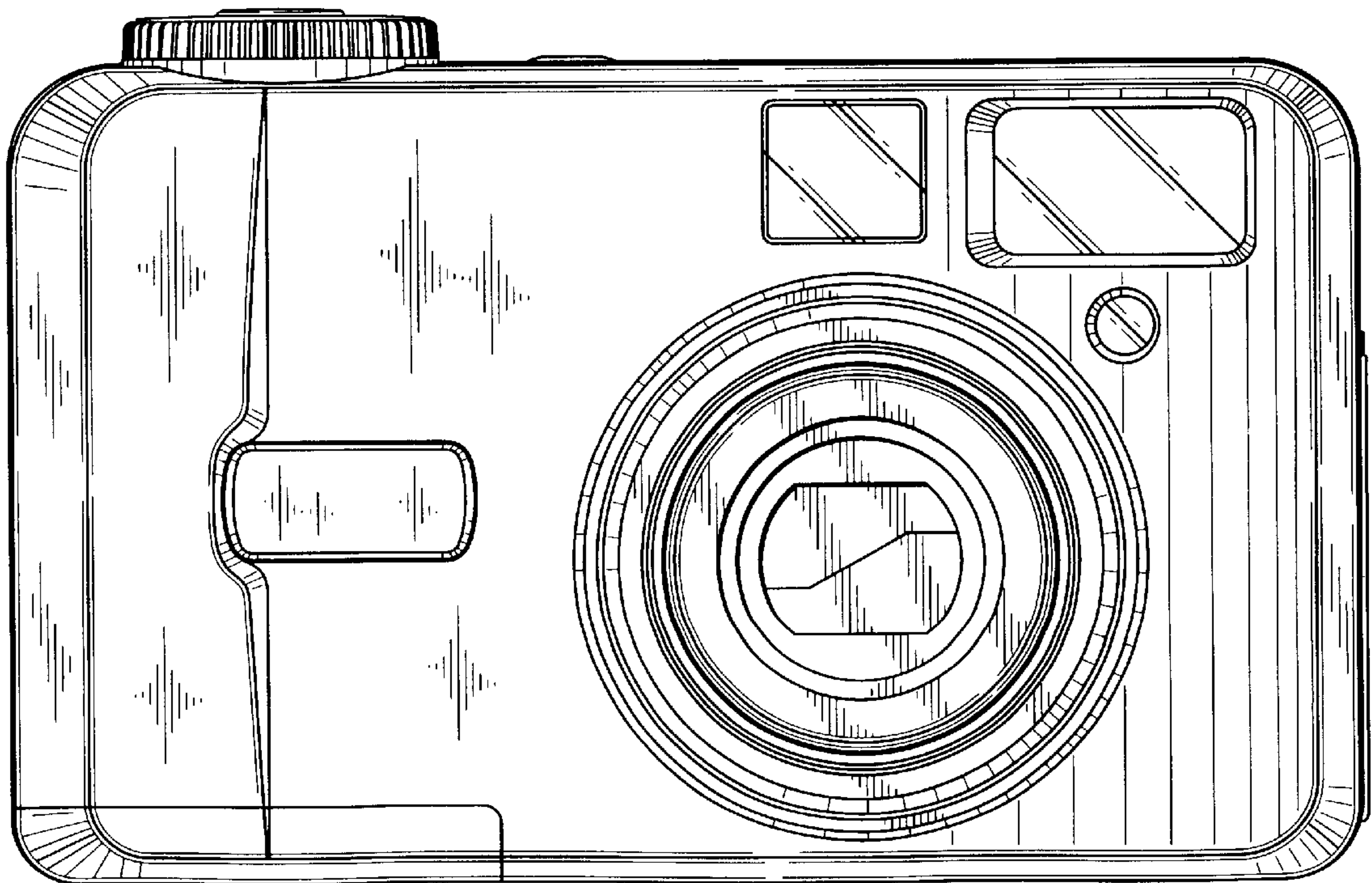


FIG. 3

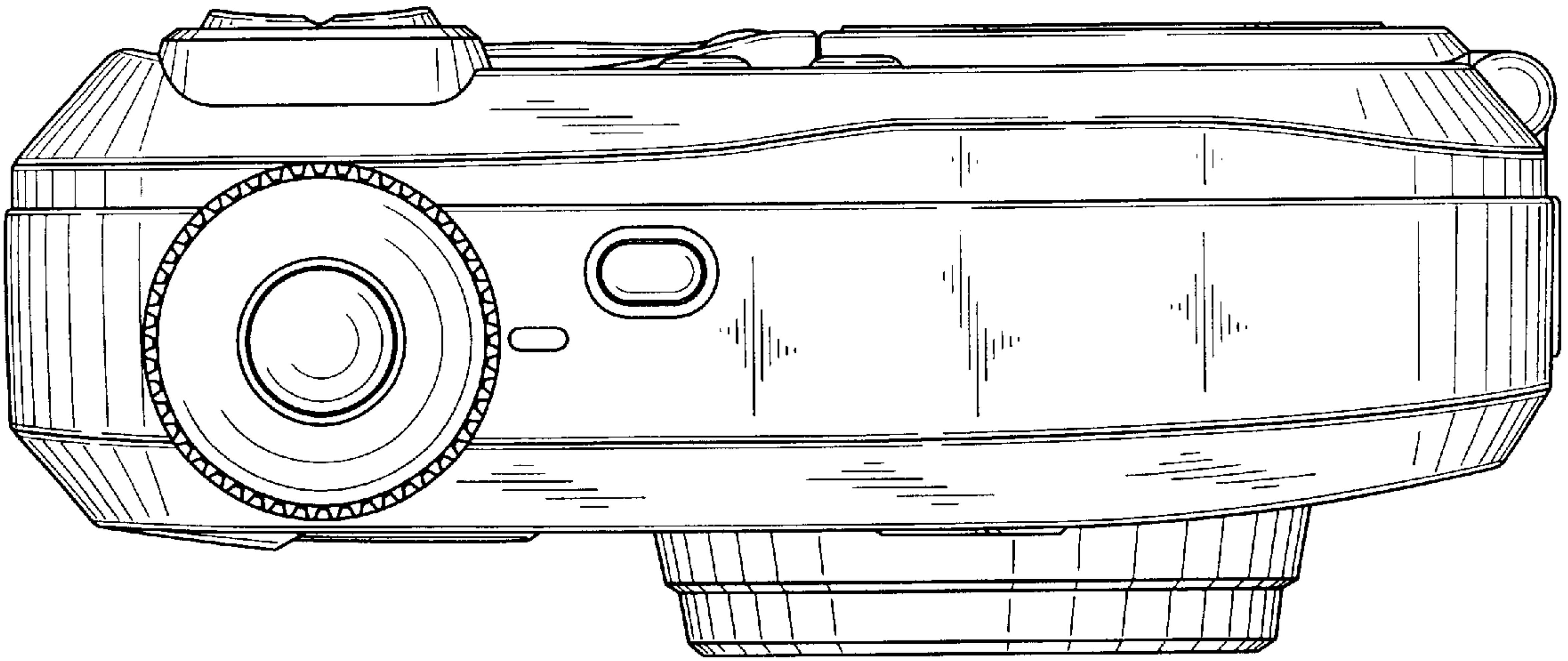


FIG. 4

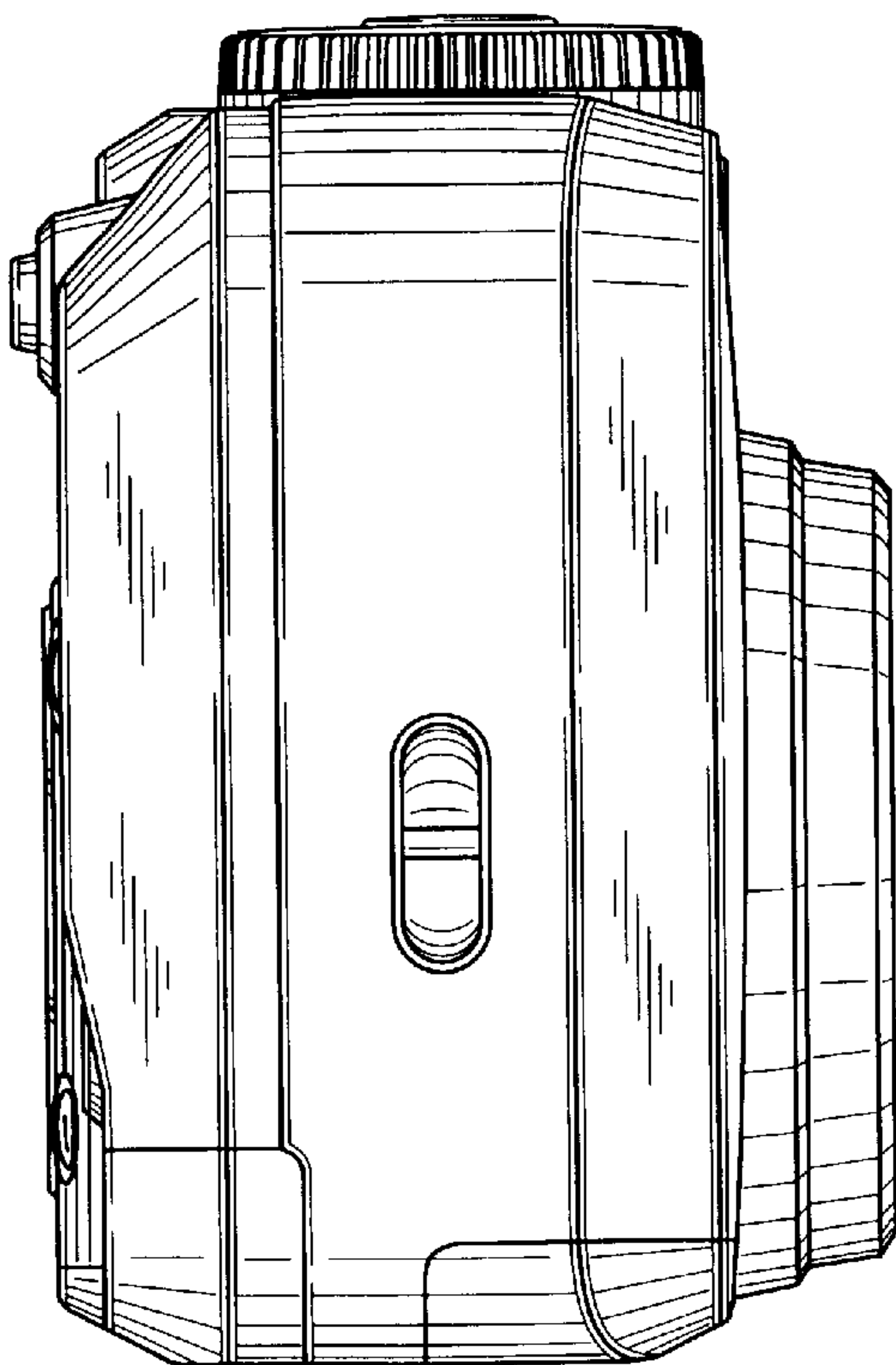


FIG. 5

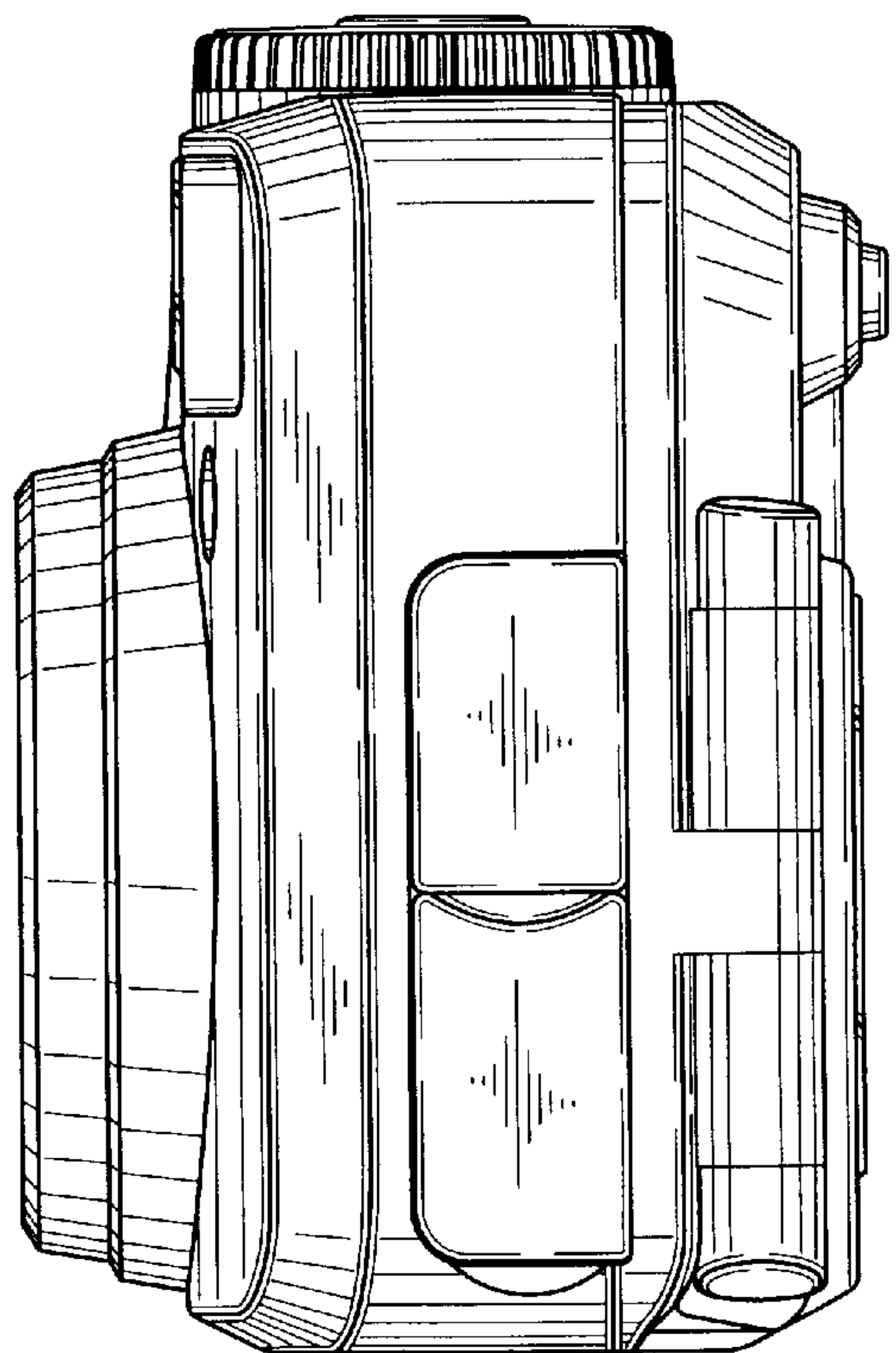


FIG. 6

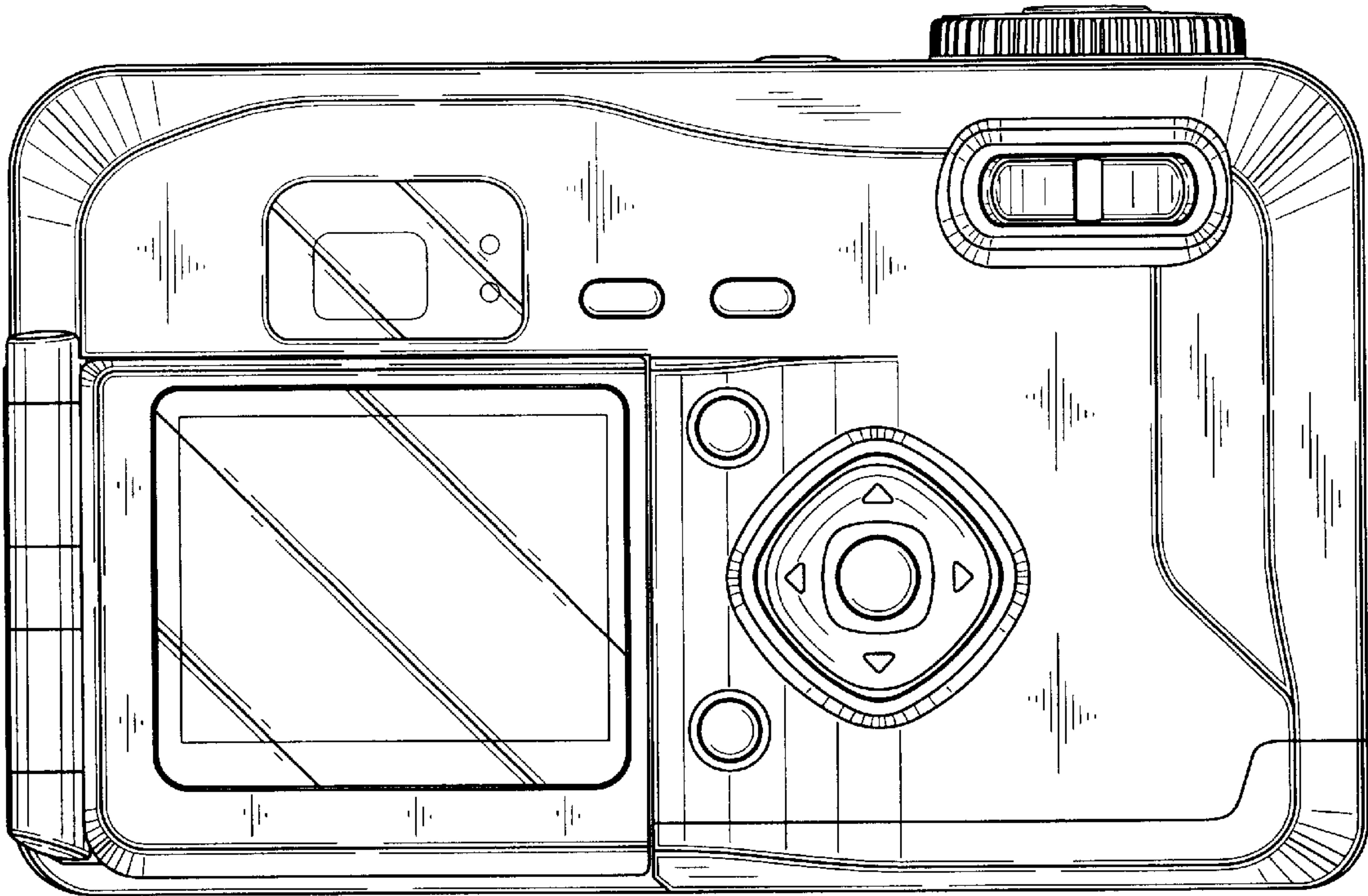


FIG. 7

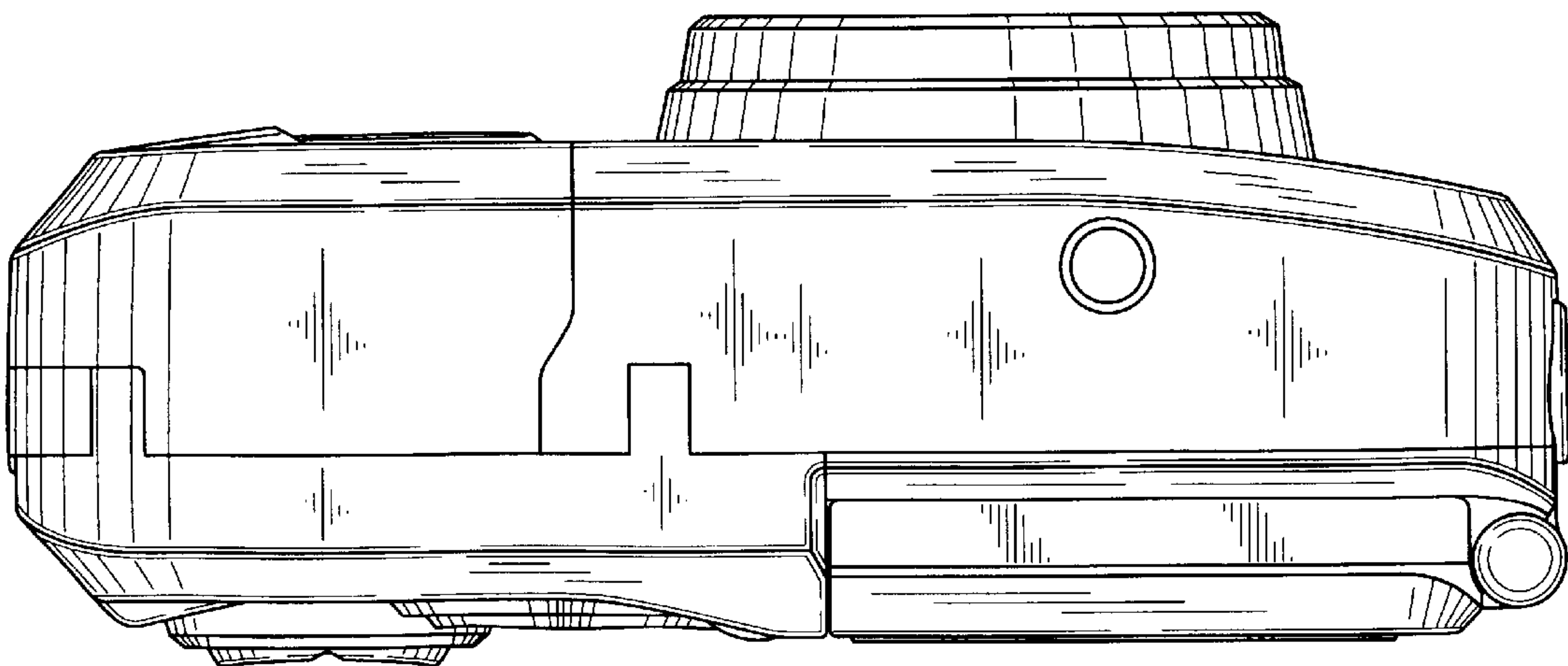


FIG. 8

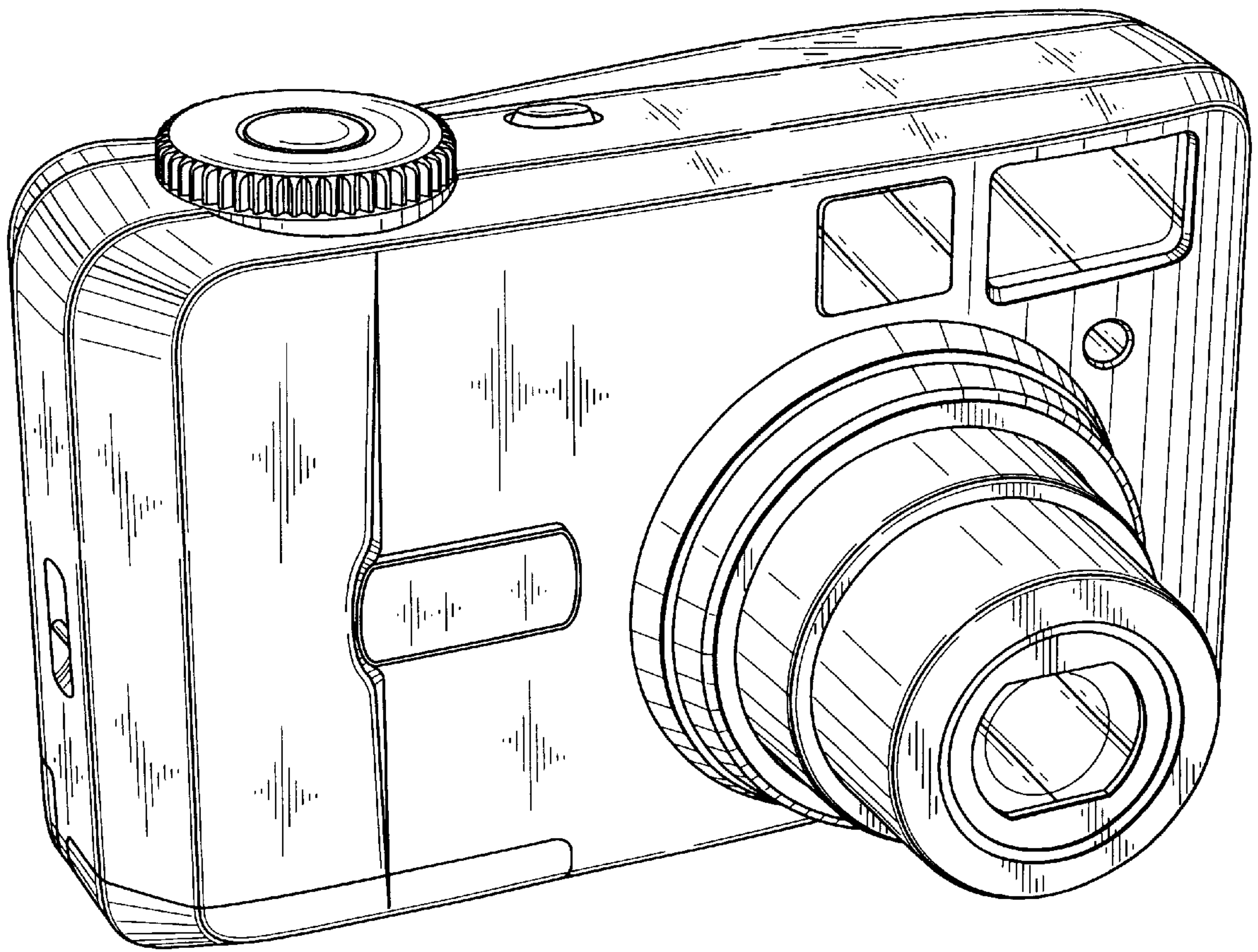


FIG. 9

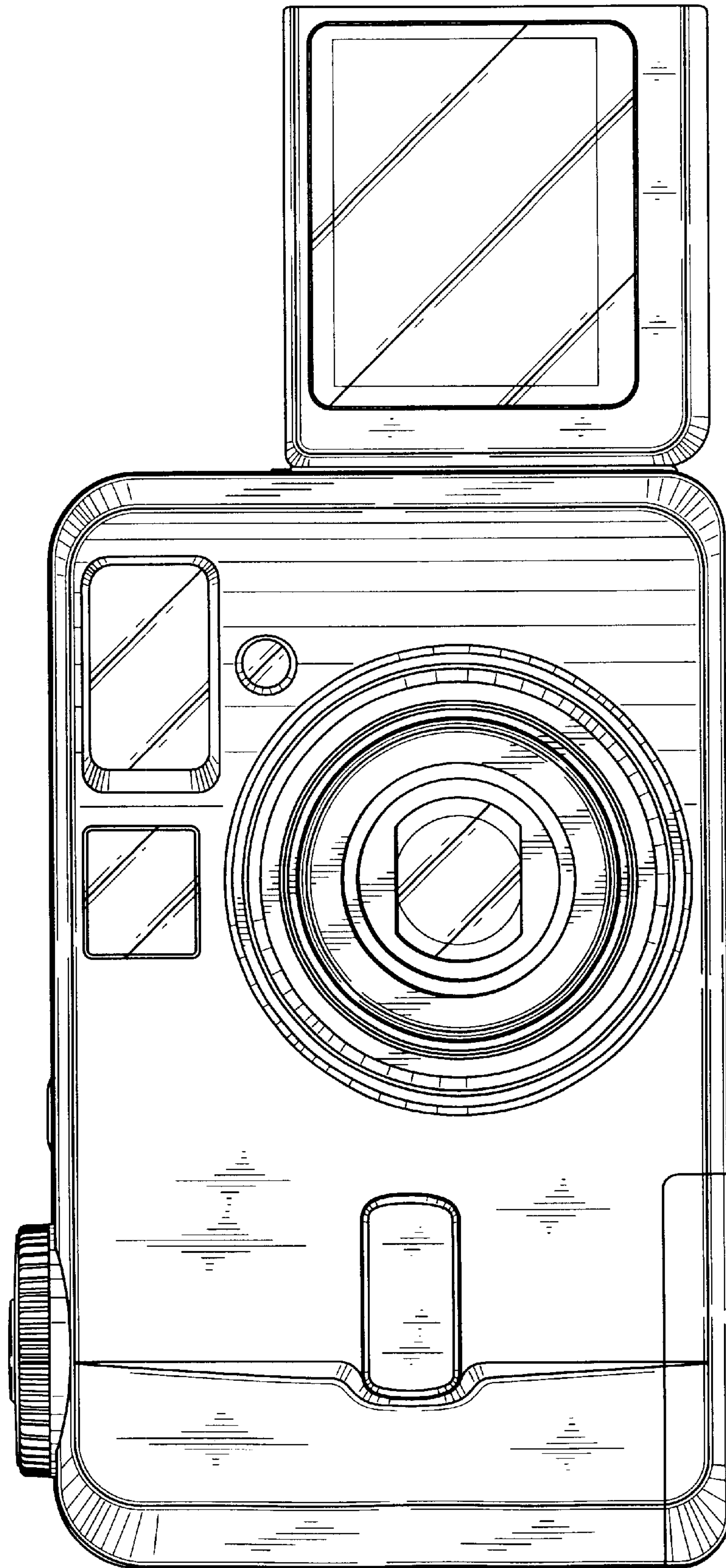


FIG. 10

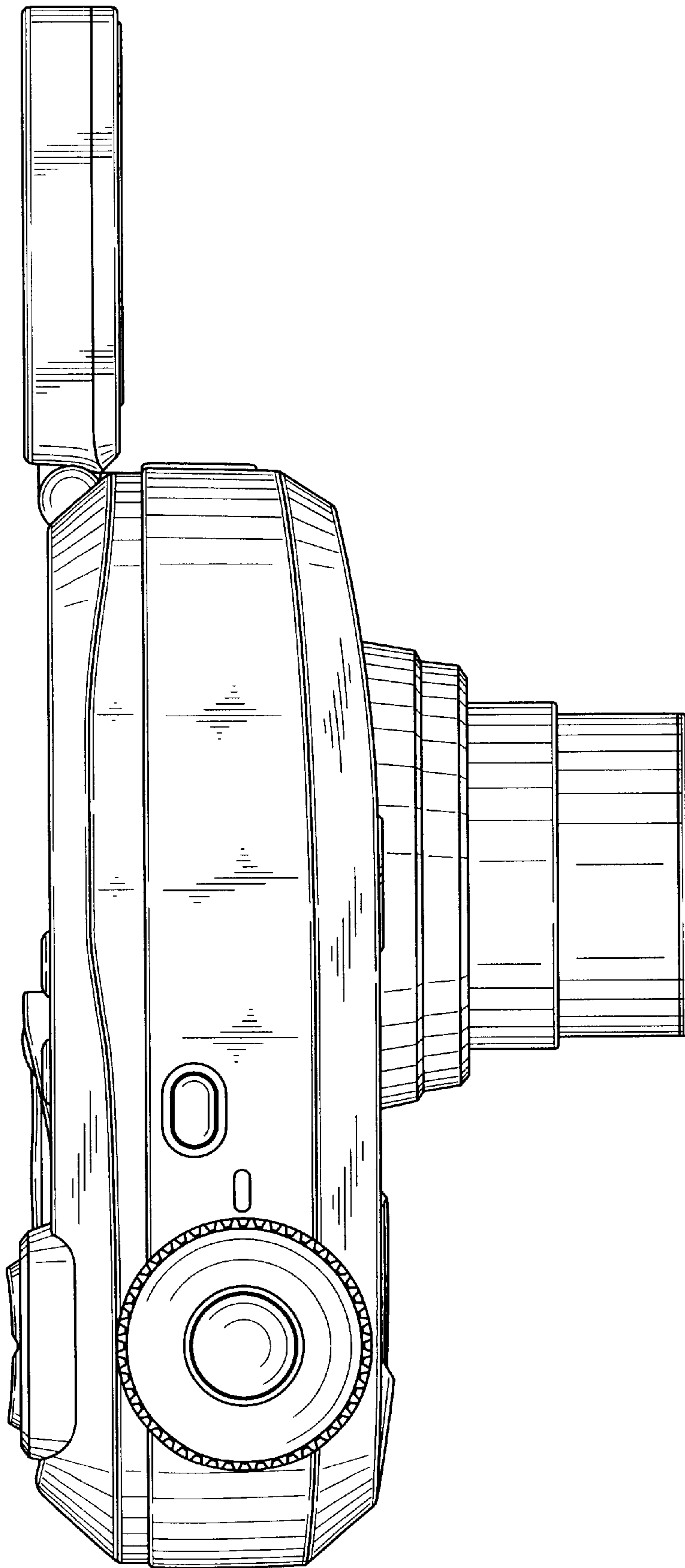


FIG. 11

