



US00D471218S

(12) **United States Design Patent**
Sekine

(10) **Patent No.:** **US D471,218 S**

(45) **Date of Patent:** **** Mar. 4, 2003**

(54) **VIDEO CAMERA WITH VIDEO TAPE RECORDER**

D442,615 S 5/2001 Owada et al. D16/202
D446,800 S * 8/2001 Fukushima et al. D16/202
D455,769 S * 4/2002 Owada D16/202

(75) Inventor: **Tetsuya Sekine**, Kanagawa-ken (JP)

OTHER PUBLICATIONS

(73) Assignee: **Canon Kabushiki Kaisha**, Tokyo (JP)

“Video Camera With Video Tape Recorder” published on p. 45 of Lapita, No. 11, (Oct. 1, 2000), (Publication Material No. HA12011008 of the Design department of the JPO).

(**) Term: **14 Years**

* cited by examiner

(21) Appl. No.: **29/153,630**

Primary Examiner—Adir Aronovich

(22) Filed: **Jan. 14, 2002**

(74) *Attorney, Agent, or Firm*—Fitzpatrick, Cella, Harper & Scinto

(30) **Foreign Application Priority Data**

Jul. 24, 2001 (JP) 2001-021433

(57) **CLAIM**

(51) **LOC (7) Cl.** **16-01**

The ornamental design for a video camera with video tape recorder, as shown and described.

(52) **U.S. Cl.** **D16/202**

(58) **Field of Search** D16/200–206,
D16/208; 348/373–376; 358/906; 396/535,
540, 541

DESCRIPTION

(56) **References Cited**

FIG. 1 is a front view of a video camera with video tape recorder showing my new design;
FIG. 2 is a rear view thereof;
FIG. 3 is a top plan view thereof;
FIG. 4 is a bottom plan view thereof;
FIG. 5 is a left side view thereof;
FIG. 6 is a right side view thereof; and,
FIG. 7 is a perspective view thereof.

U.S. PATENT DOCUMENTS

D407,097 S * 3/1999 Suzuki et al. D16/202
D426,843 S * 6/2000 Tanaka D16/202
D428,033 S * 7/2000 Saeki et al. D16/202
D431,582 S * 10/2000 Sumita et al. D16/202
D438,225 S 2/2001 Sekine D16/202
D438,553 S 3/2001 Sekine et al. D16/202

1 Claim, 5 Drawing Sheets

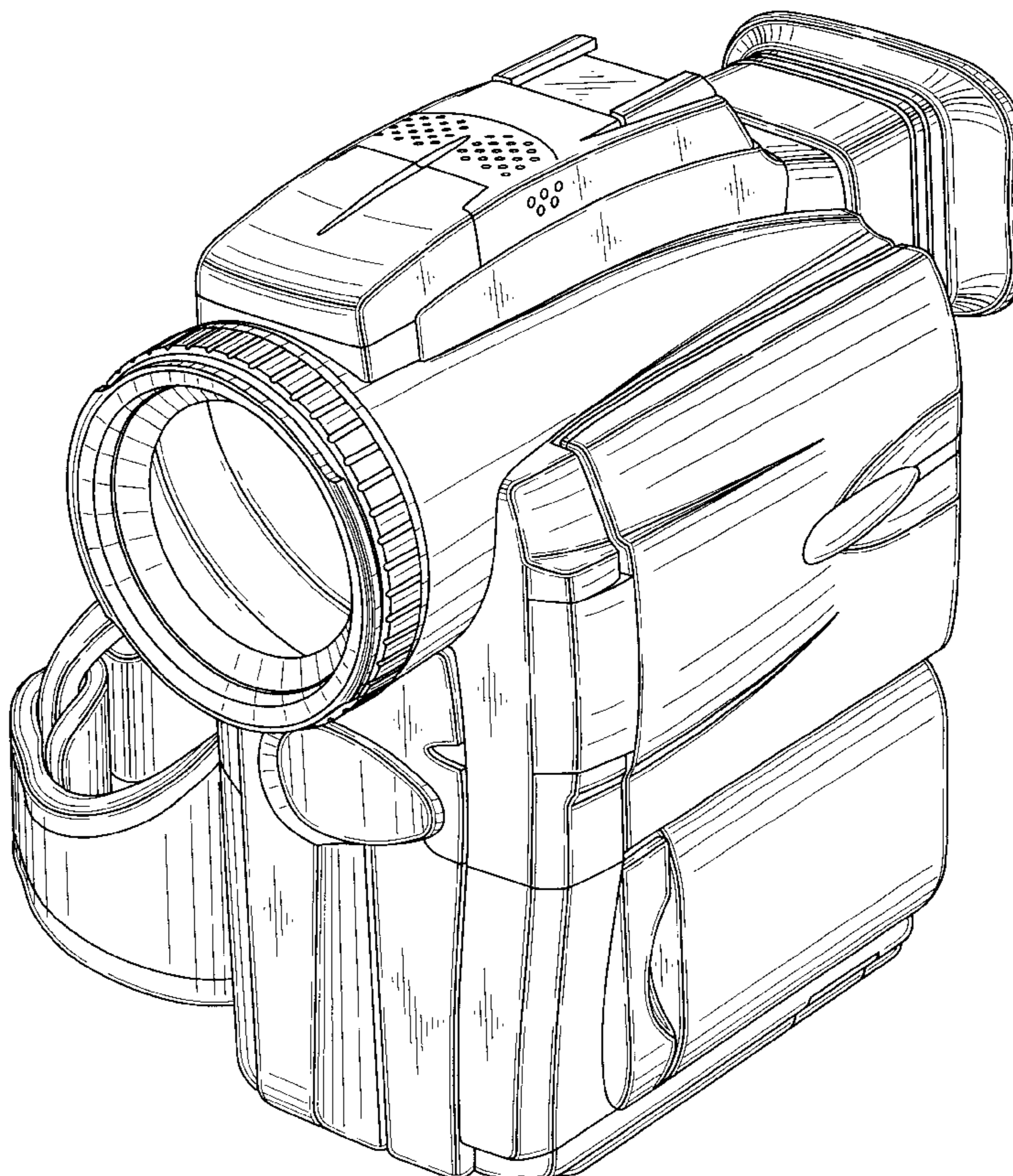


FIG. 2

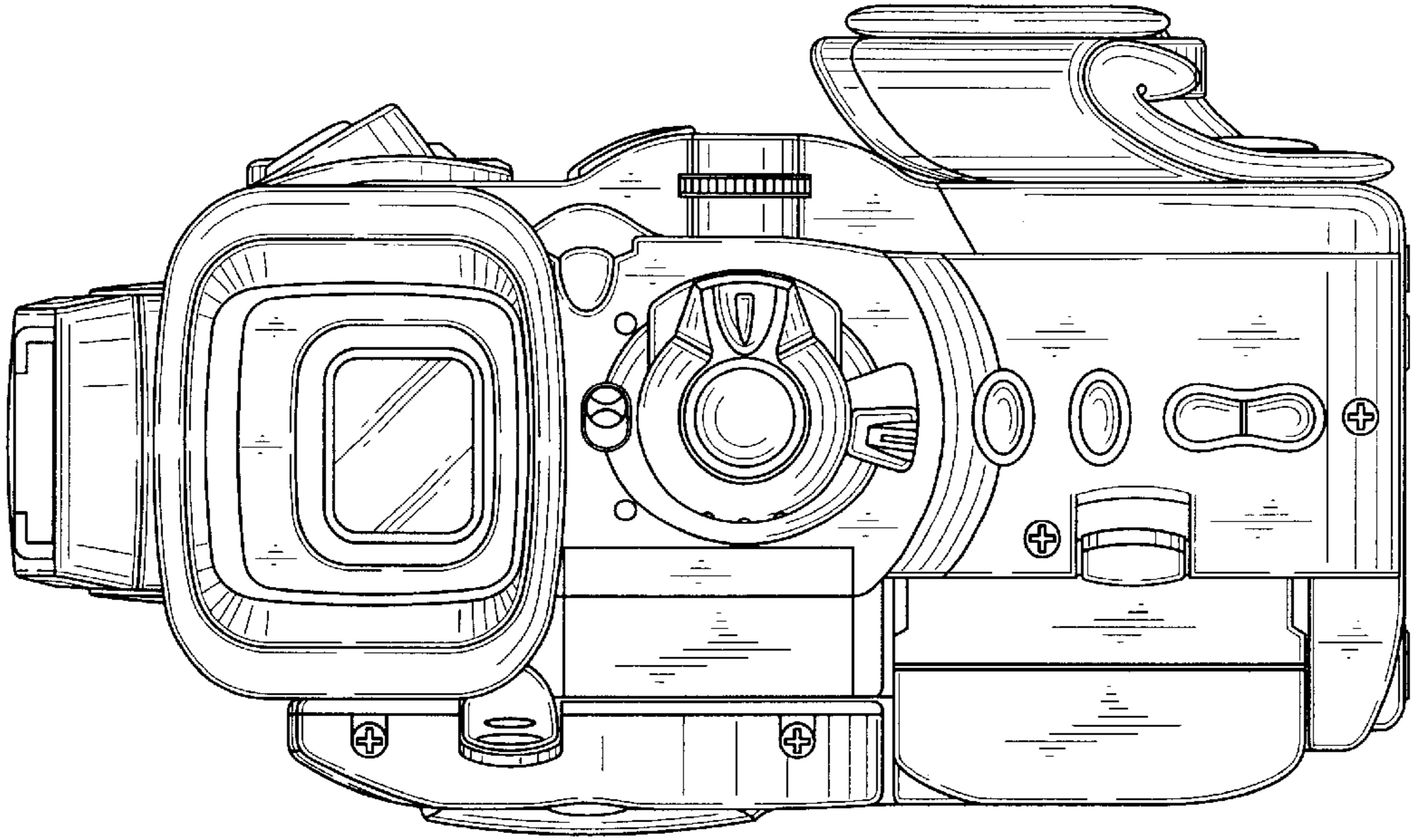


FIG. 1

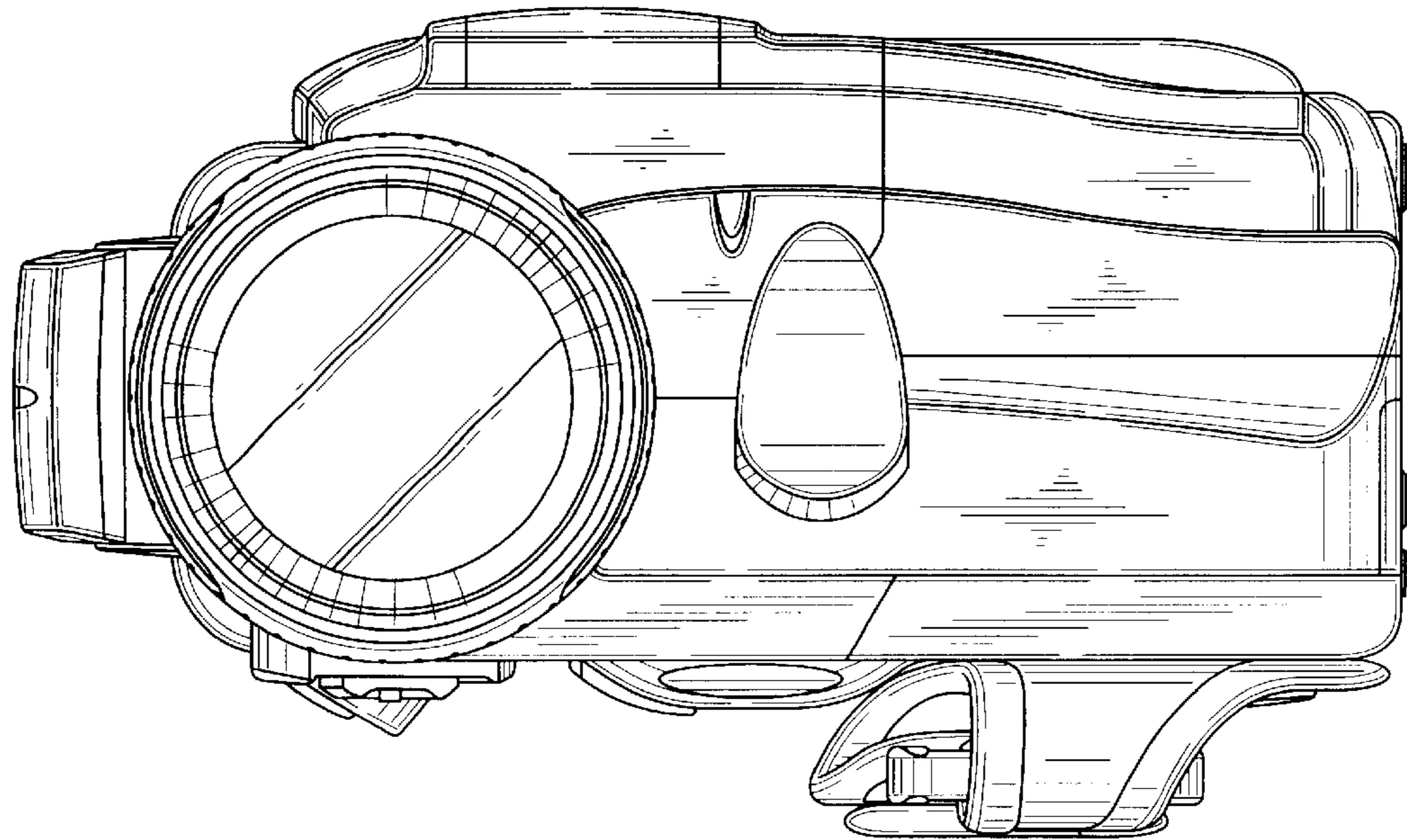


FIG. 4

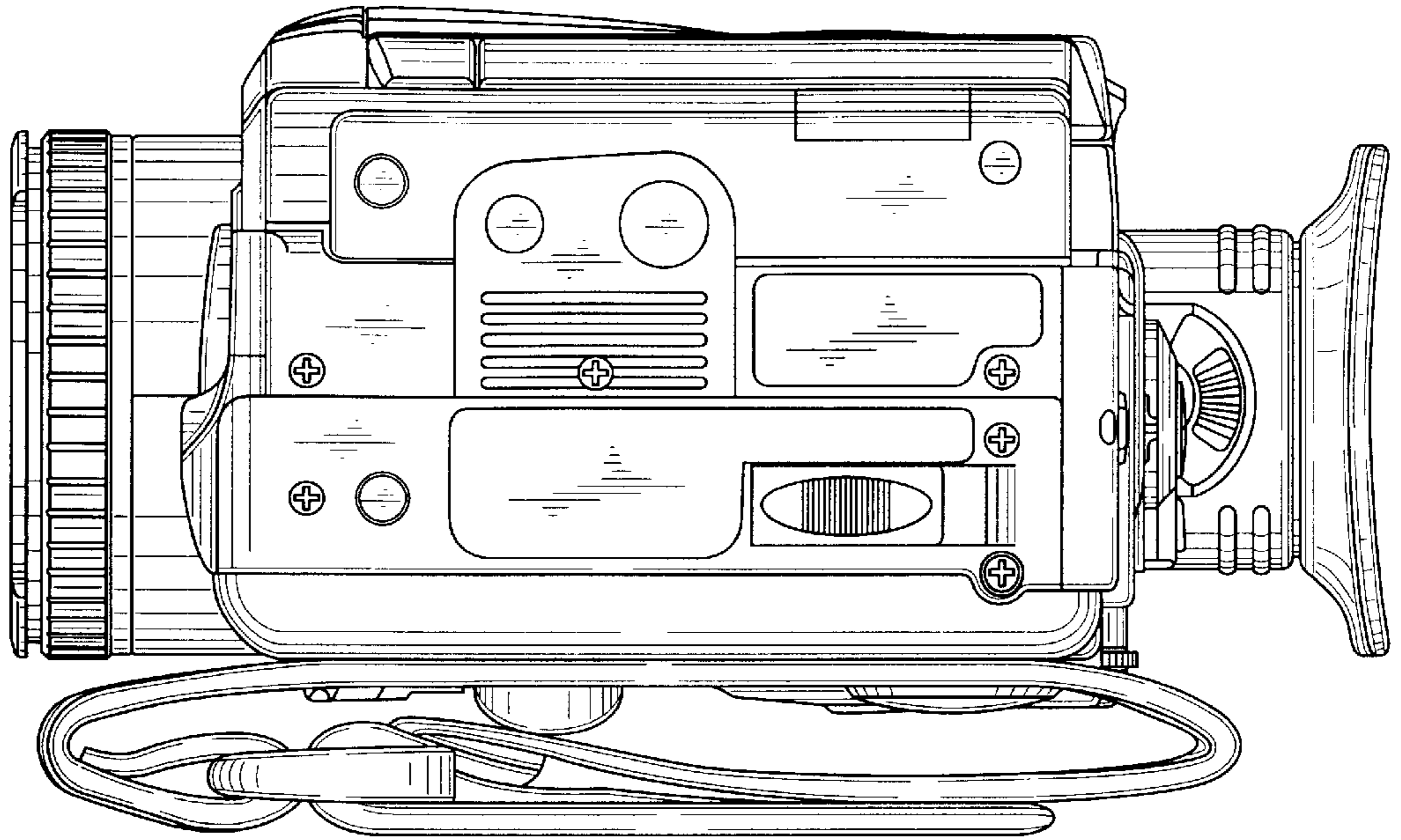


FIG. 3

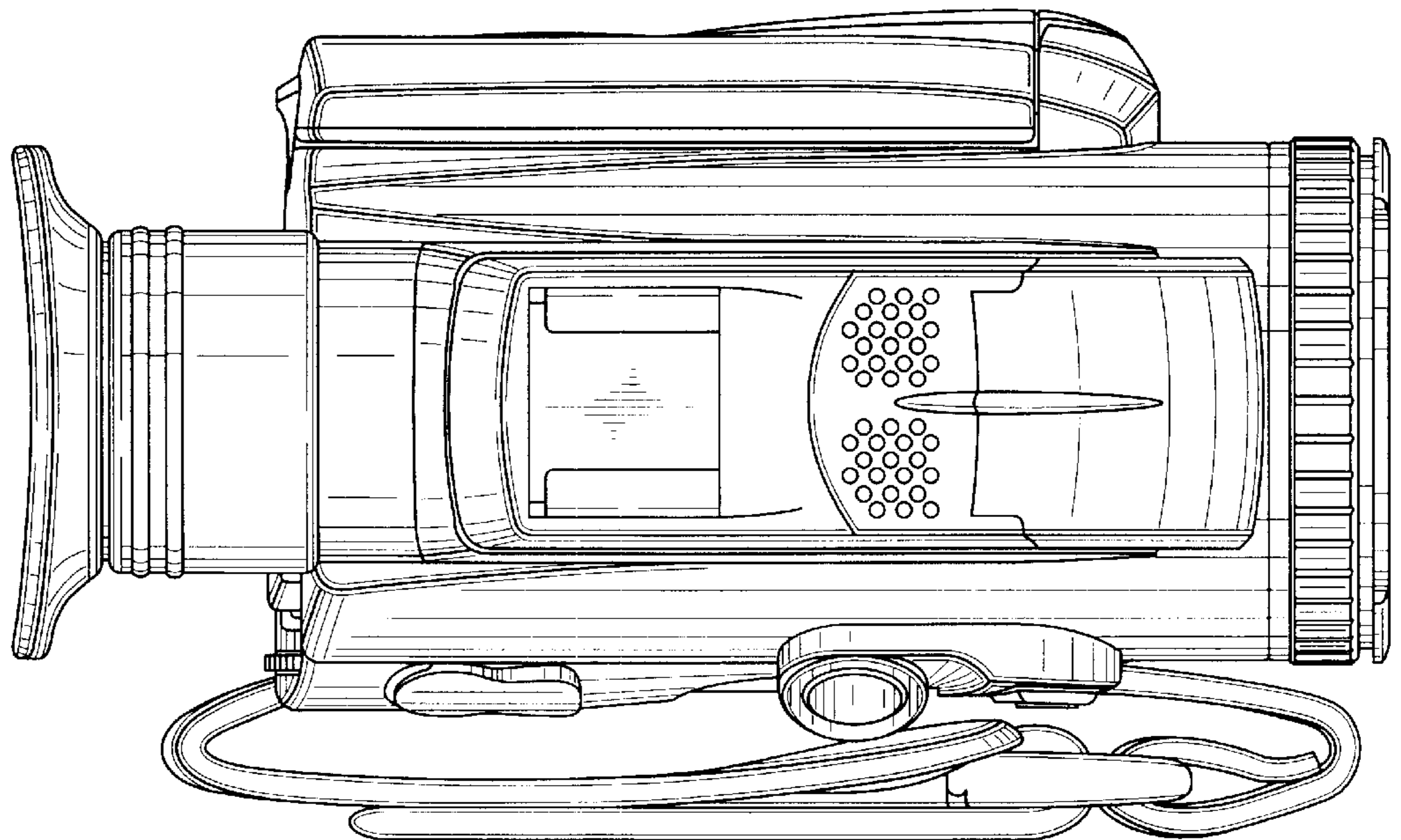


FIG. 5

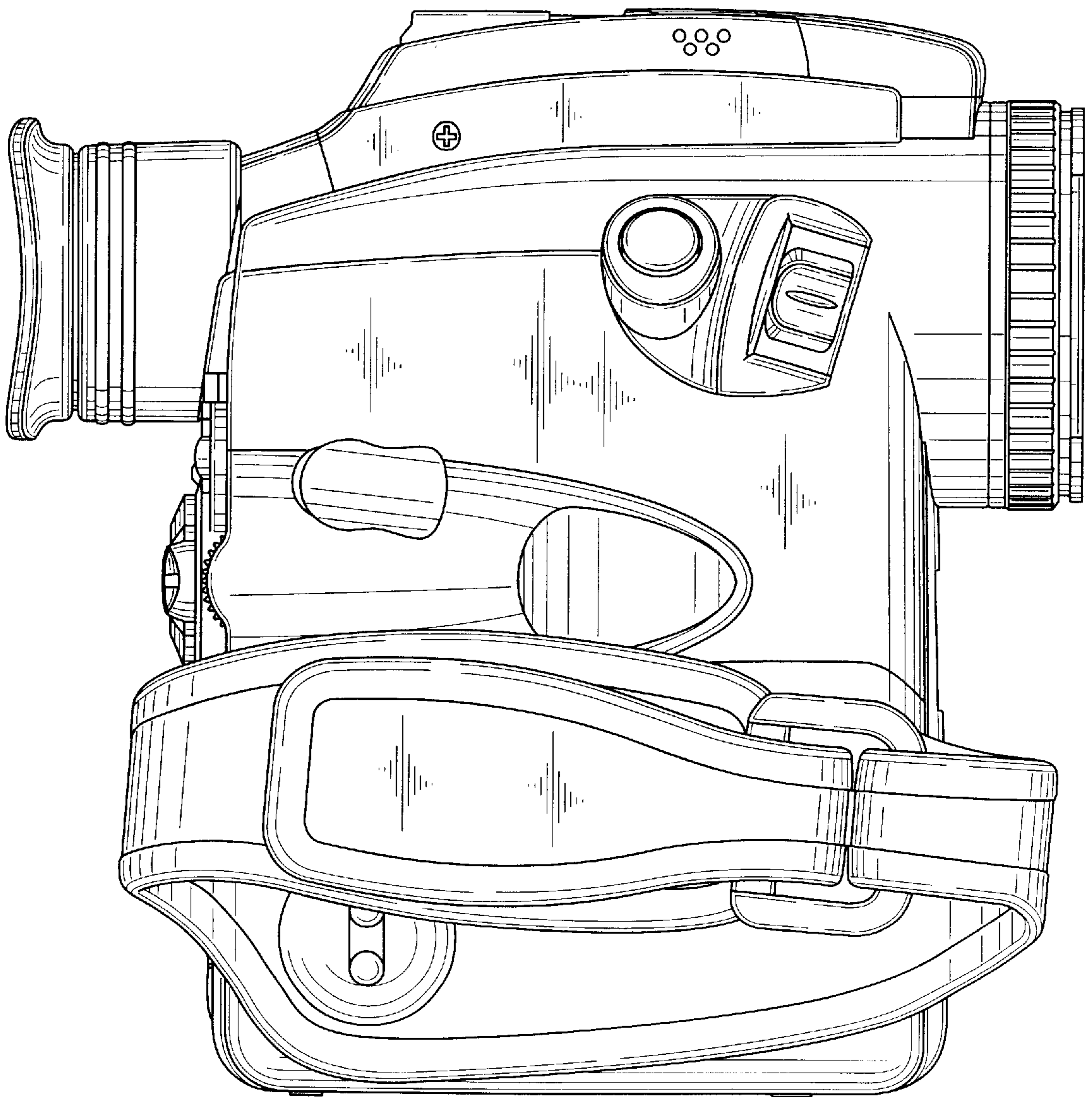


FIG. 6

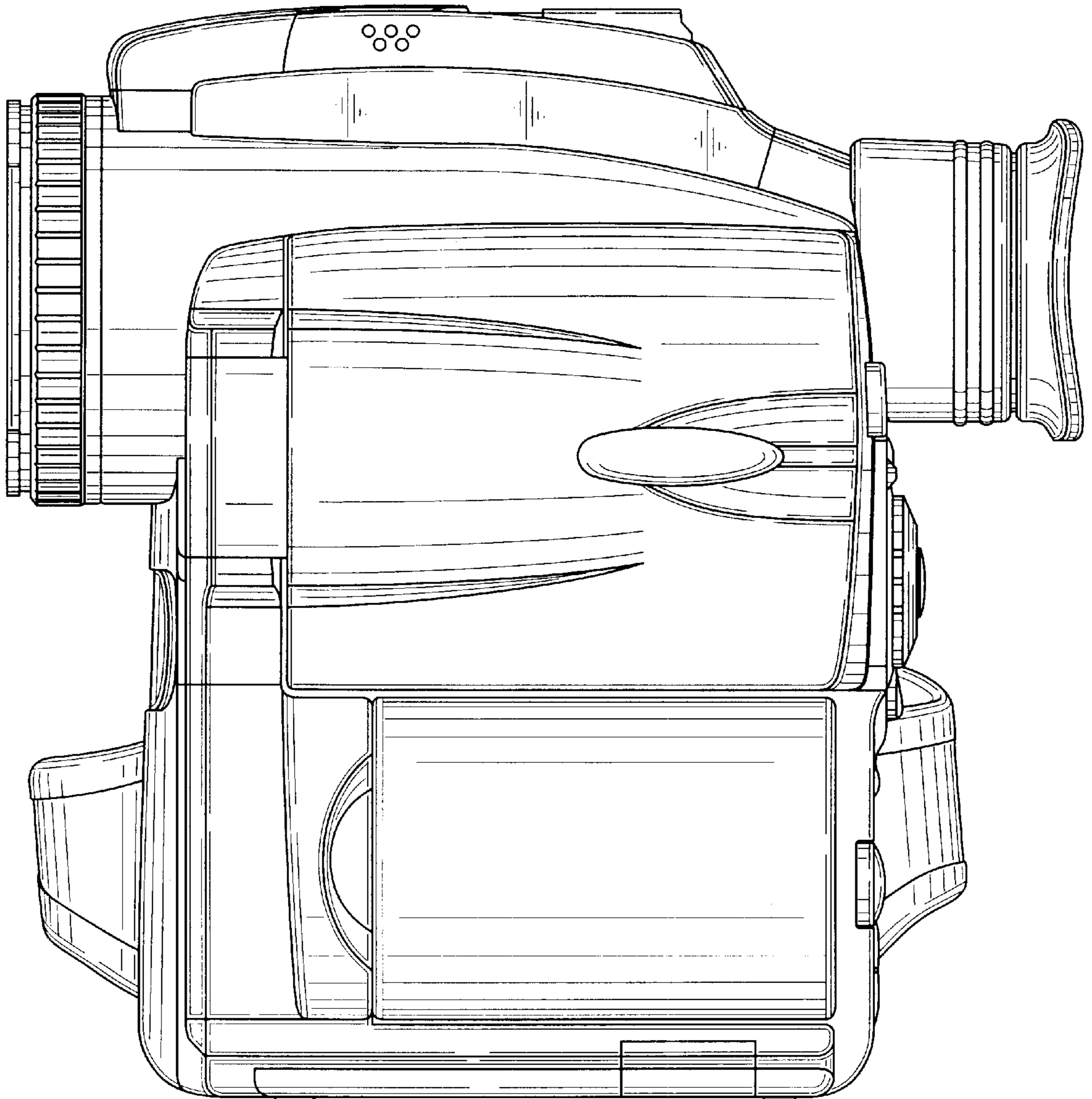


FIG. 7

