



US00D471216S

(12) **United States Design Patent** (10) **Patent No.:** **US D471,216 S**  
**Hollinger et al.** (45) **Date of Patent:** **\*\* Mar. 4, 2003**

(54) **MITER SAW**

HITACHI® Electric Power Tools Product Listing.  
HITACHI® Power Tools Product Listing.

(75) Inventors: **David N. Hollinger**, Glenshaw, PA (US); **Ronald E. Young**, Wampum, PA (US); **Joseph L. Jenkins, Jr.**, Jackson, TN (US); **Craig A. Carroll**, Bells, TN (US)

\* cited by examiner

(73) Assignee: **Delta International Machinery Corp.**, Jackson, TN (US)

*Primary Examiner*—Antoine Duval Davis  
(74) *Attorney, Agent, or Firm*—Kirkpatrick & Lockhart LLP

(\*\*) Term: **14 Years**

(57) **CLAIM**

The ornamental design for a miter saw, substantially as shown and described.

(21) Appl. No.: **29/154,627**

**DESCRIPTION**

(22) Filed: **Jan. 25, 2002**

(51) **LOC (7) Cl.** ..... **15-09**

This application claims priority from U.S. patent application Ser. No. 09/920,555, which was filed in Aug. 1, 2001, pending.

(52) **U.S. Cl.** ..... **D15/133**

(58) **Field of Search** ..... D15/133; 83/471.1-471.3, 83/477, 581

FIG. 1 is a right front perspective view of a miter saw showing our new design with the cutting unit in a first position;

(56) **References Cited**

**U.S. PATENT DOCUMENTS**

D295,823 S	5/1988	Brickner, Jr. et al.	
D306,031 S	2/1990	Ushiwata et al.	
D310,375 S	9/1990	Brickner et al.	
5,054,352 A	10/1991	Fushiya et al.	
5,060,548 A	10/1991	Sato et al.	
5,146,825 A	9/1992	Dehari	
D331,416 S	12/1992	Fushiya et al.	
5,207,141 A	5/1993	Dehari	
D345,743 S	4/1994	Garcia	
D346,173 S	4/1994	Price	
D348,272 S	6/1994	Brickner	
5,421,228 A	6/1995	Fukinuki	
D376,806 S	12/1996	Holly et al.	
D381,667 S	7/1997	Itzov et al.	
D425,083 S	* 5/2000	Brickner, Jr. et al. ....	D15/133
D435,569 S	12/2000	Hollinger et al.	
D459,373 S	* 6/2002	Hollinger et al. ....	D15/133

FIG. 2 is a left front perspective view of the miter saw of FIG. 1;

**OTHER PUBLICATIONS**

10" Compound Miter Saw (Model 36-210), Instructional Manual, Delta®, Apr. 1, 1996.  
Sidekick, 10" Compound Miter Box (Model 36-225), Instructional Manual, Delta®, Jan. 11, 1999.

FIG. 3 is a front view of the miter saw of FIG. 1;

FIG. 4 is a rear view of the miter saw of FIG. 1;

FIG. 5 is a left side view of the miter saw of FIG. 1;

FIG. 6 is a right side view of the miter saw of FIG. 1;

FIG. 7 is a top view of the miter saw of FIG. 1;

FIG. 8 is a bottom view of the miter saw of FIG. 1;

FIG. 9 is a left front perspective view of the miter saw of FIG. 1 with the cutting unit in a second position;

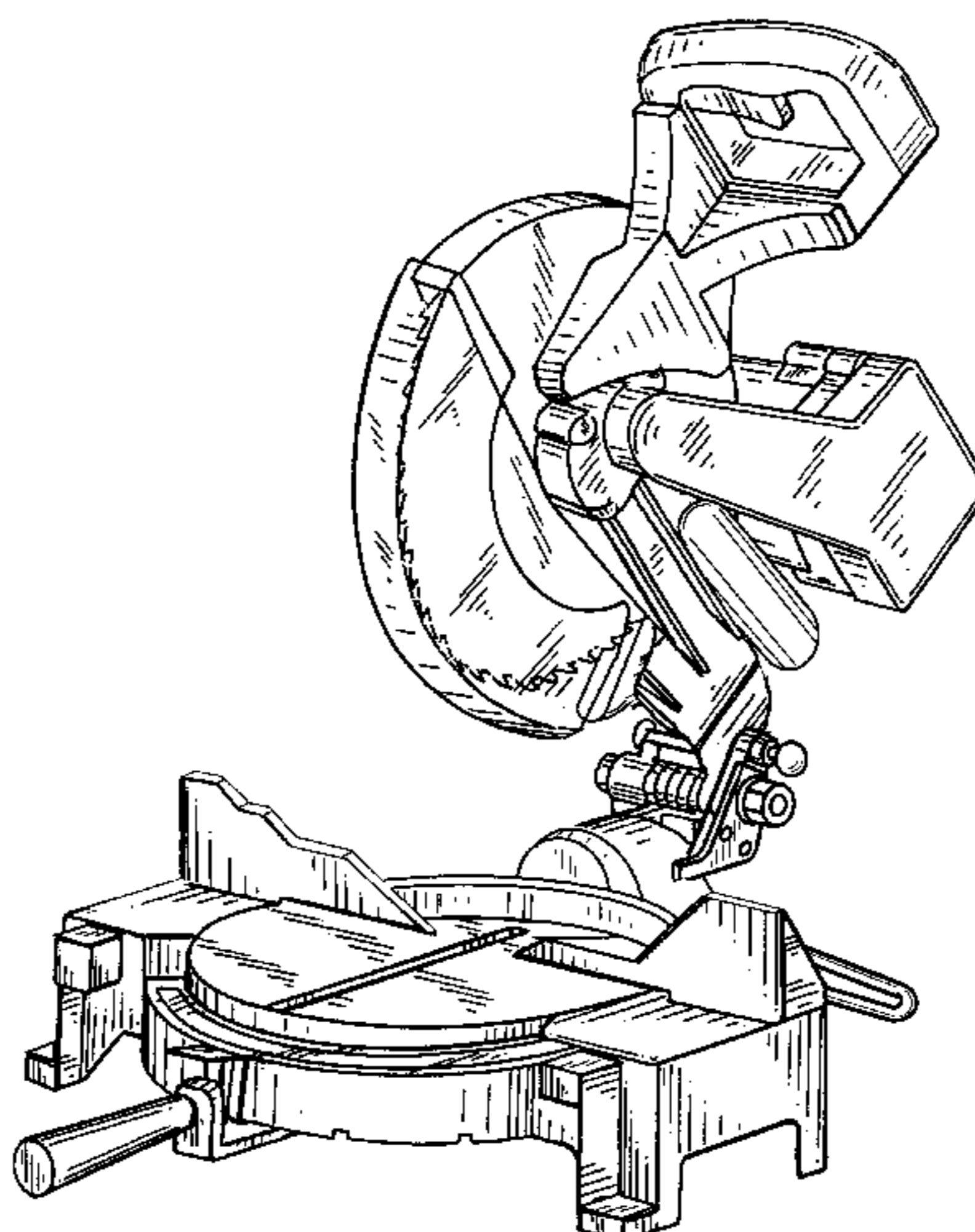
FIG. 10 is a right front perspective view of the miter saw of FIG. 1 with the cutting unit in a third position;

FIG. 11 is a front view of the miter saw of FIG. 1 with the cutting unit in a fourth position; and,

FIG. 12 is a front view of the miter saw of FIG. 1 with the saw in a fifth position.

The broken line showing is for illustrative purposes only and forms no part of the claimed design.

**1 Claim, 12 Drawing Sheets**



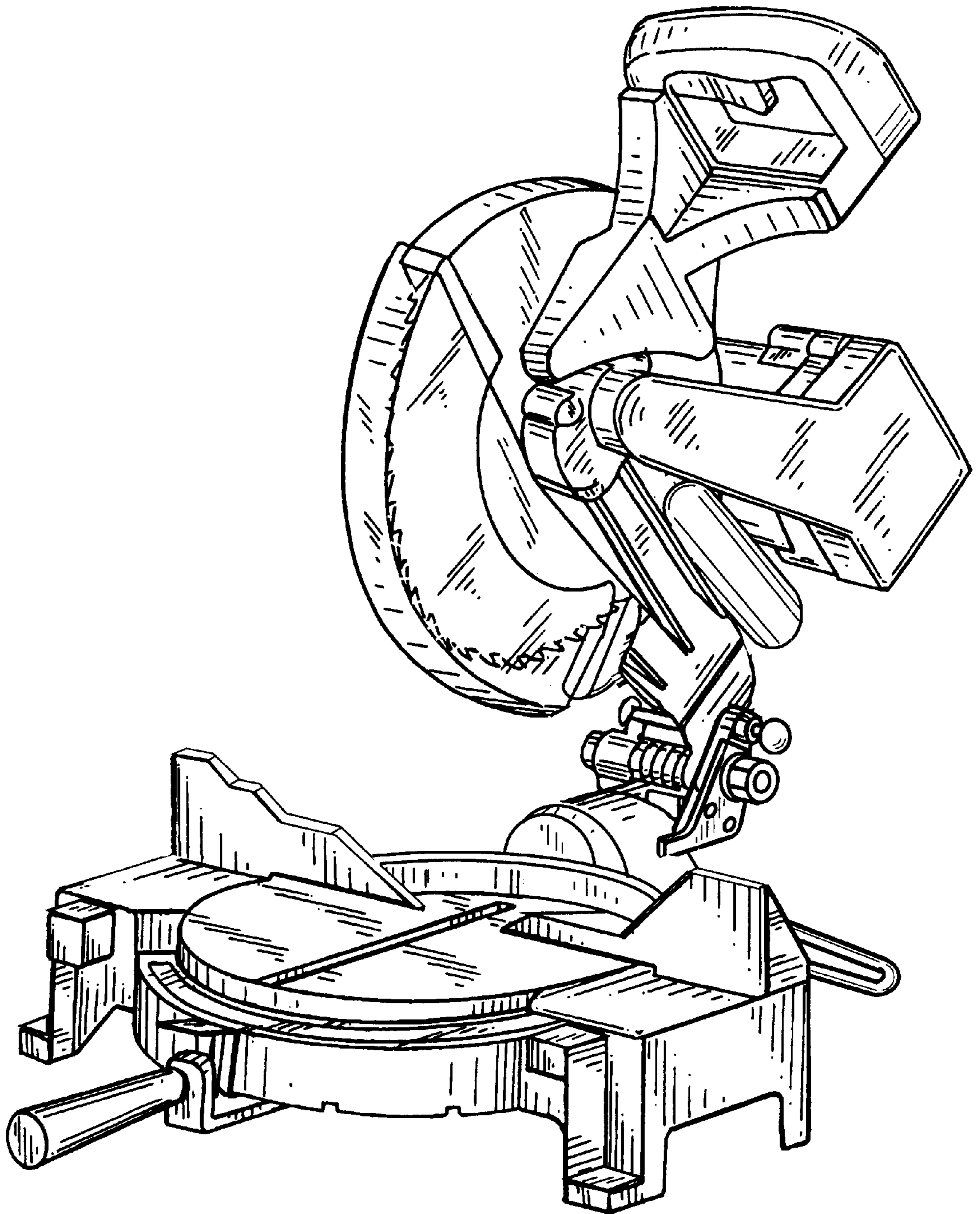


FIG. 1

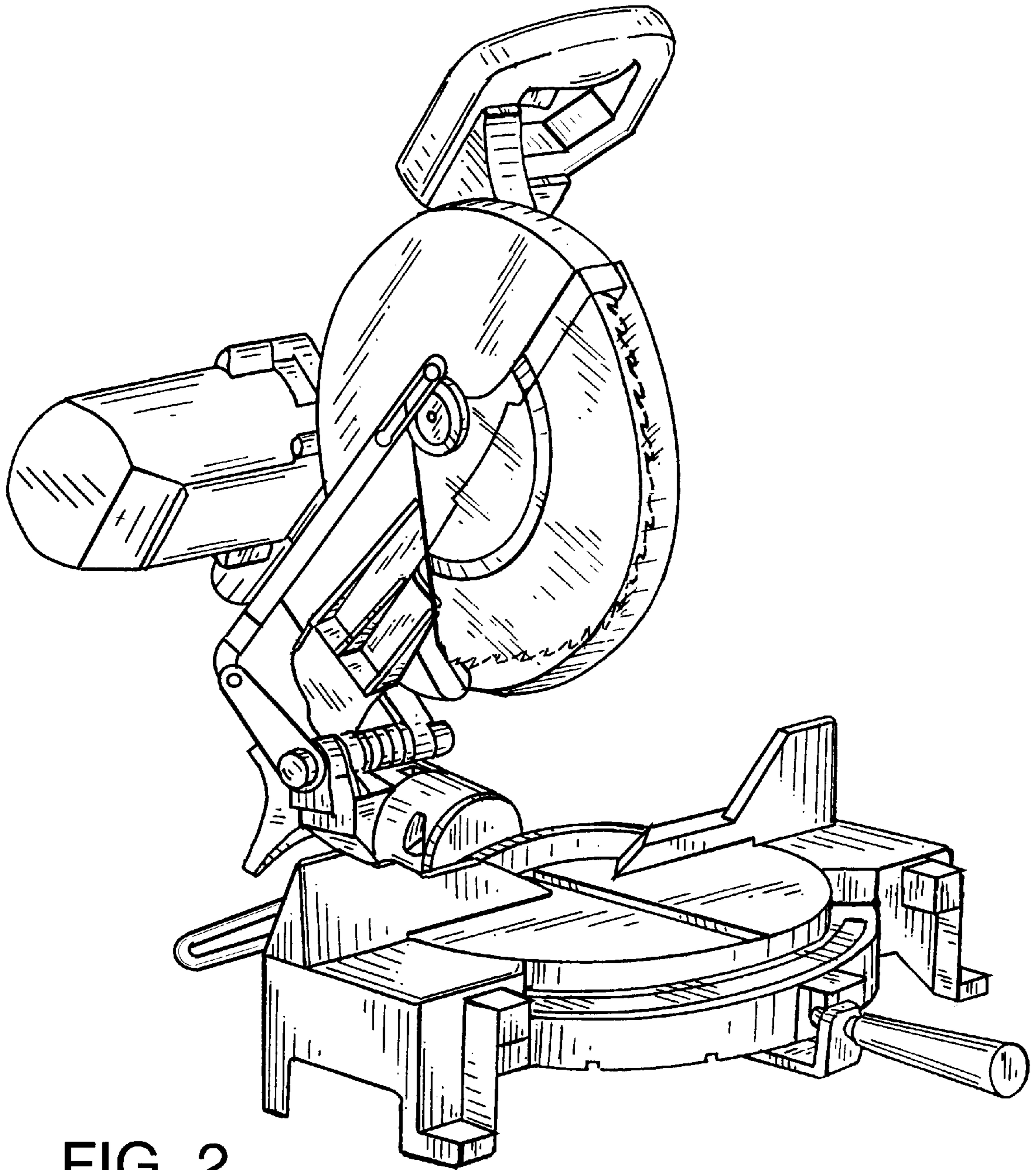


FIG. 2

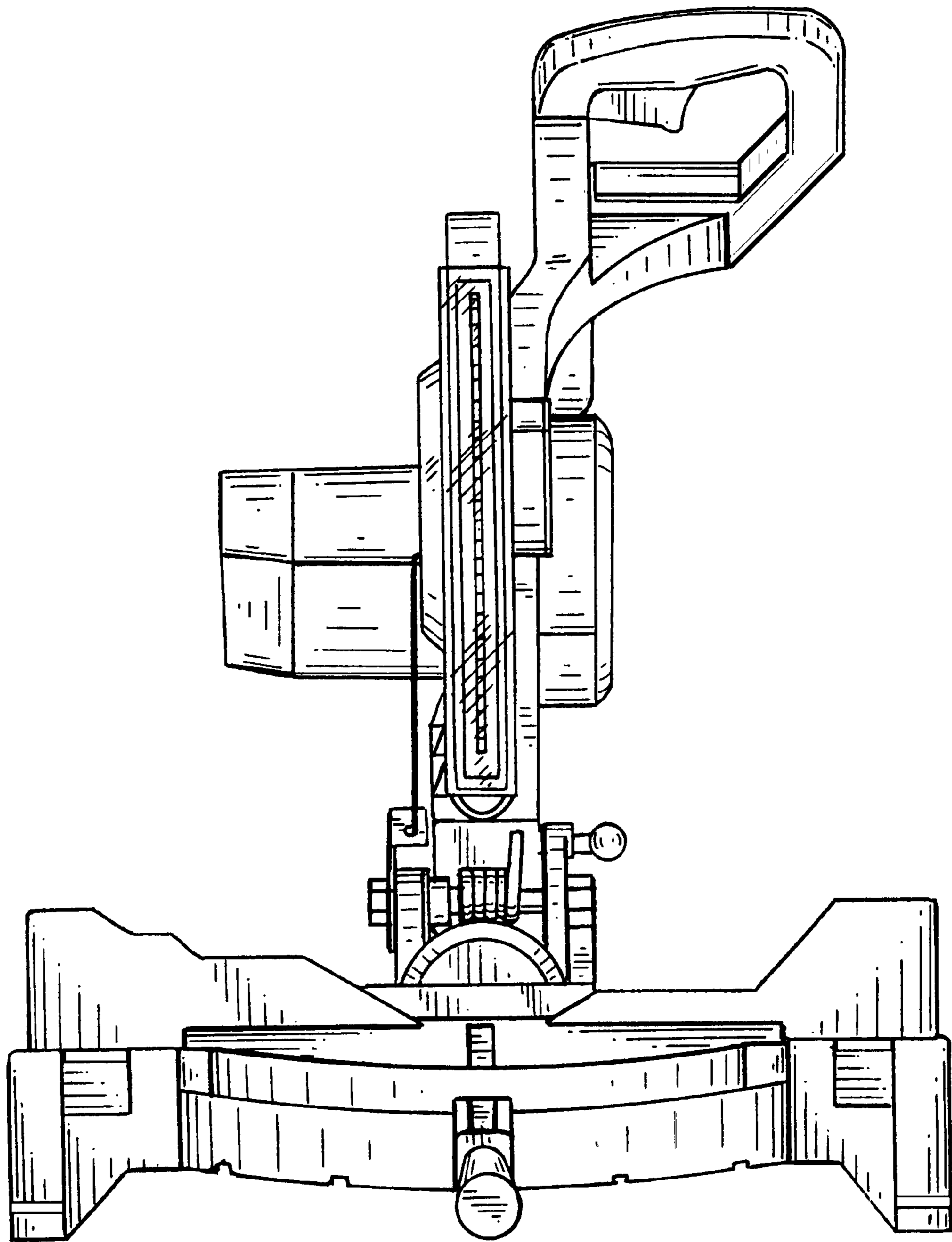


FIG. 3

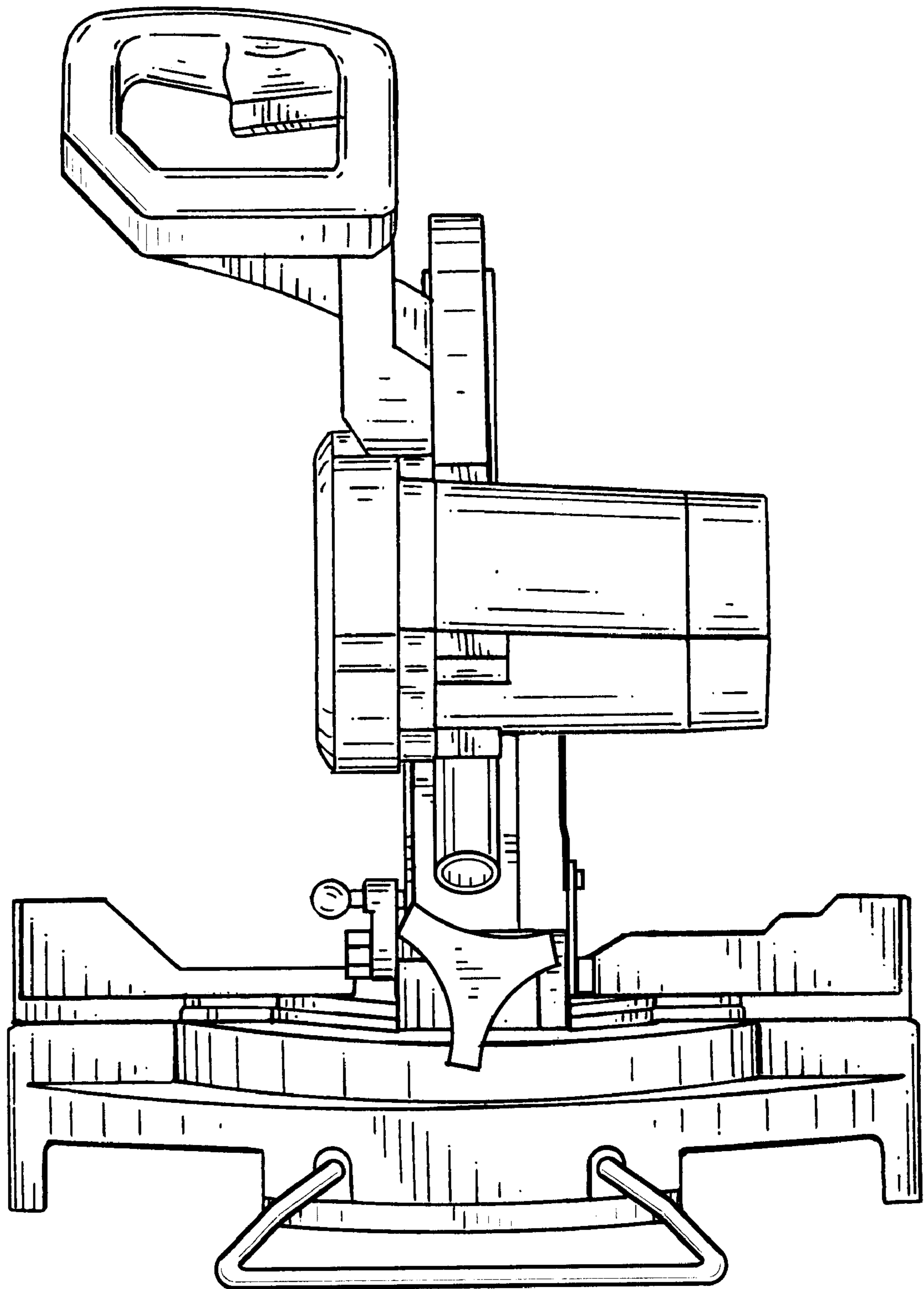


FIG. 4

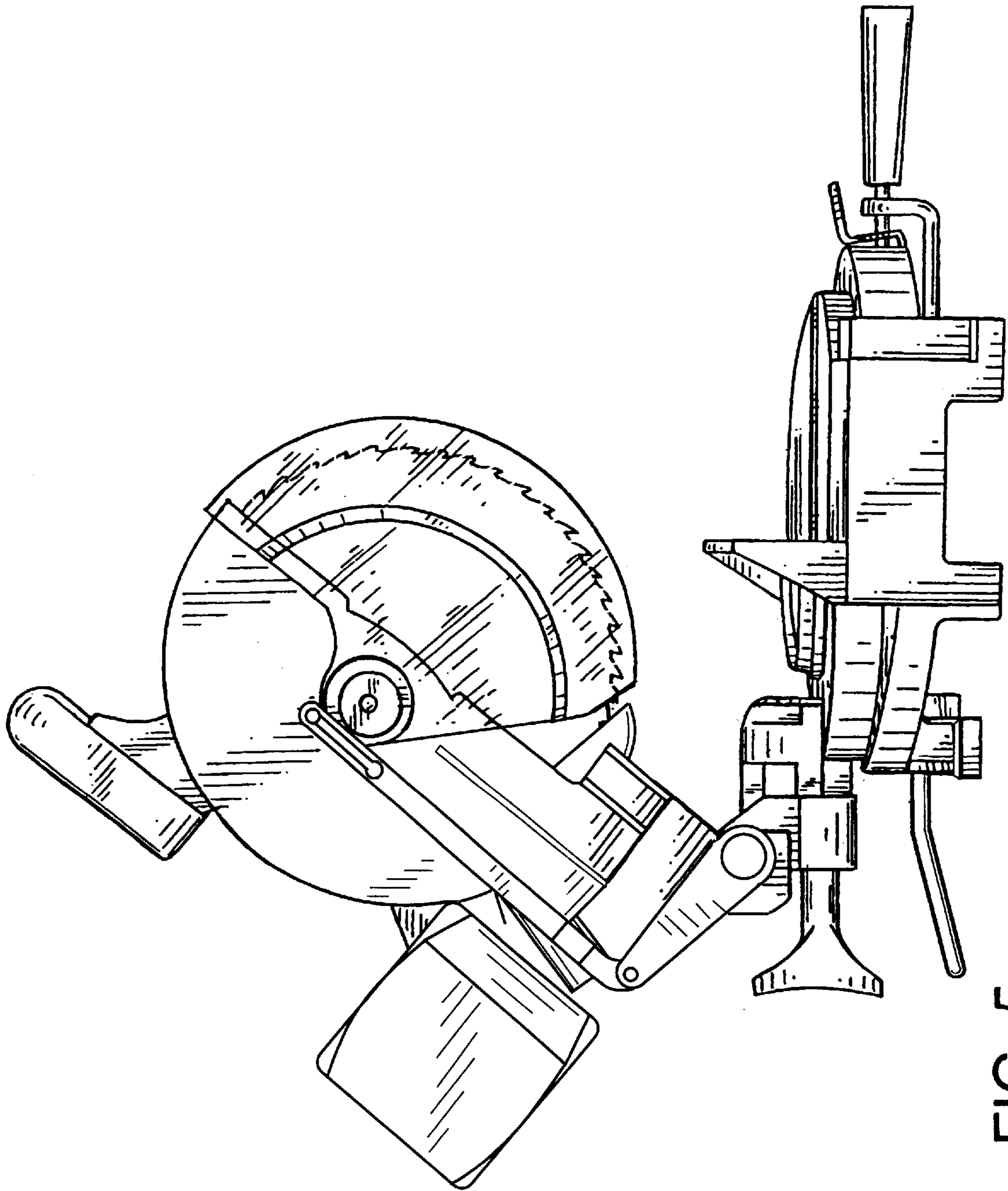


FIG. 5

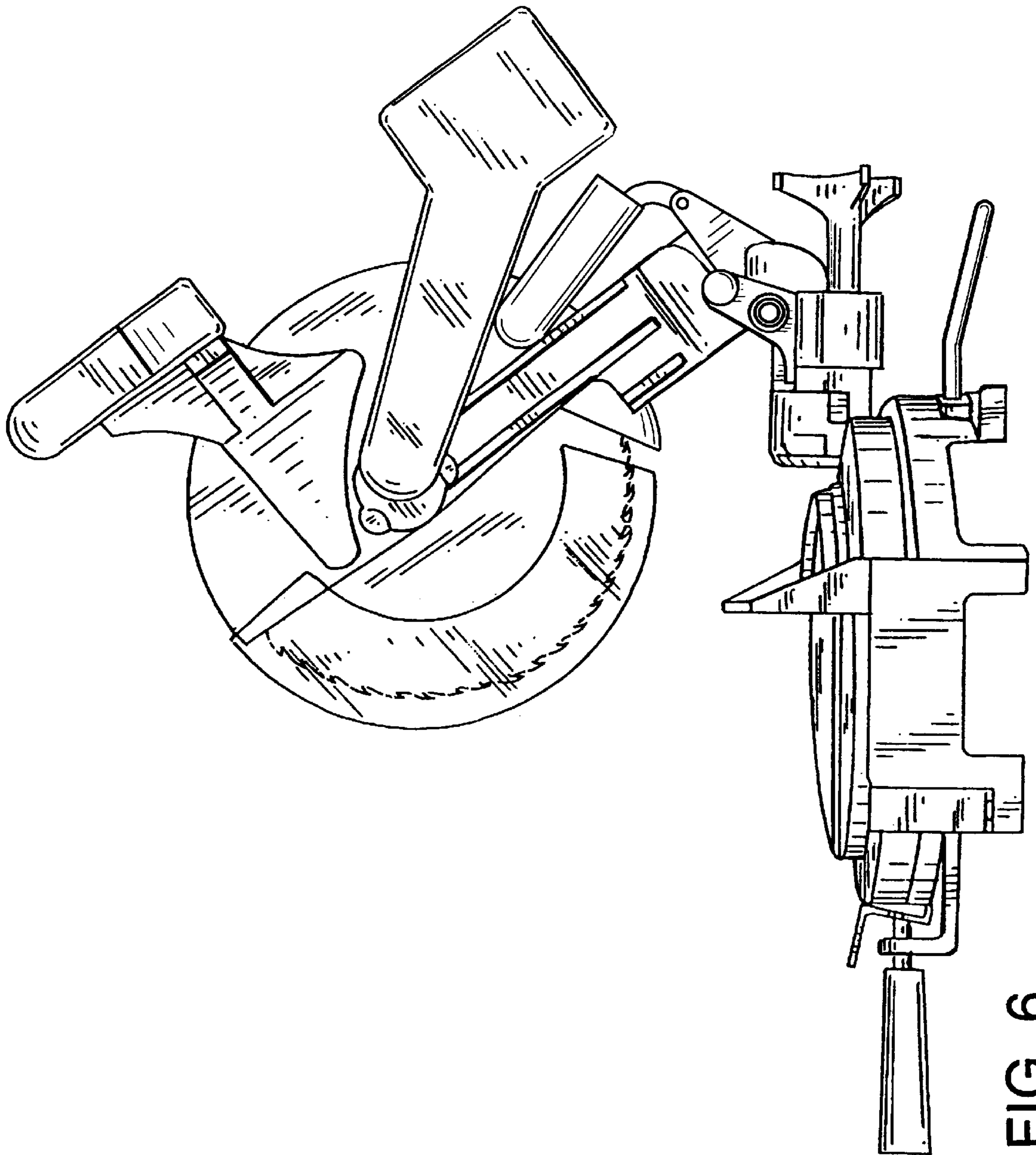


FIG. 6

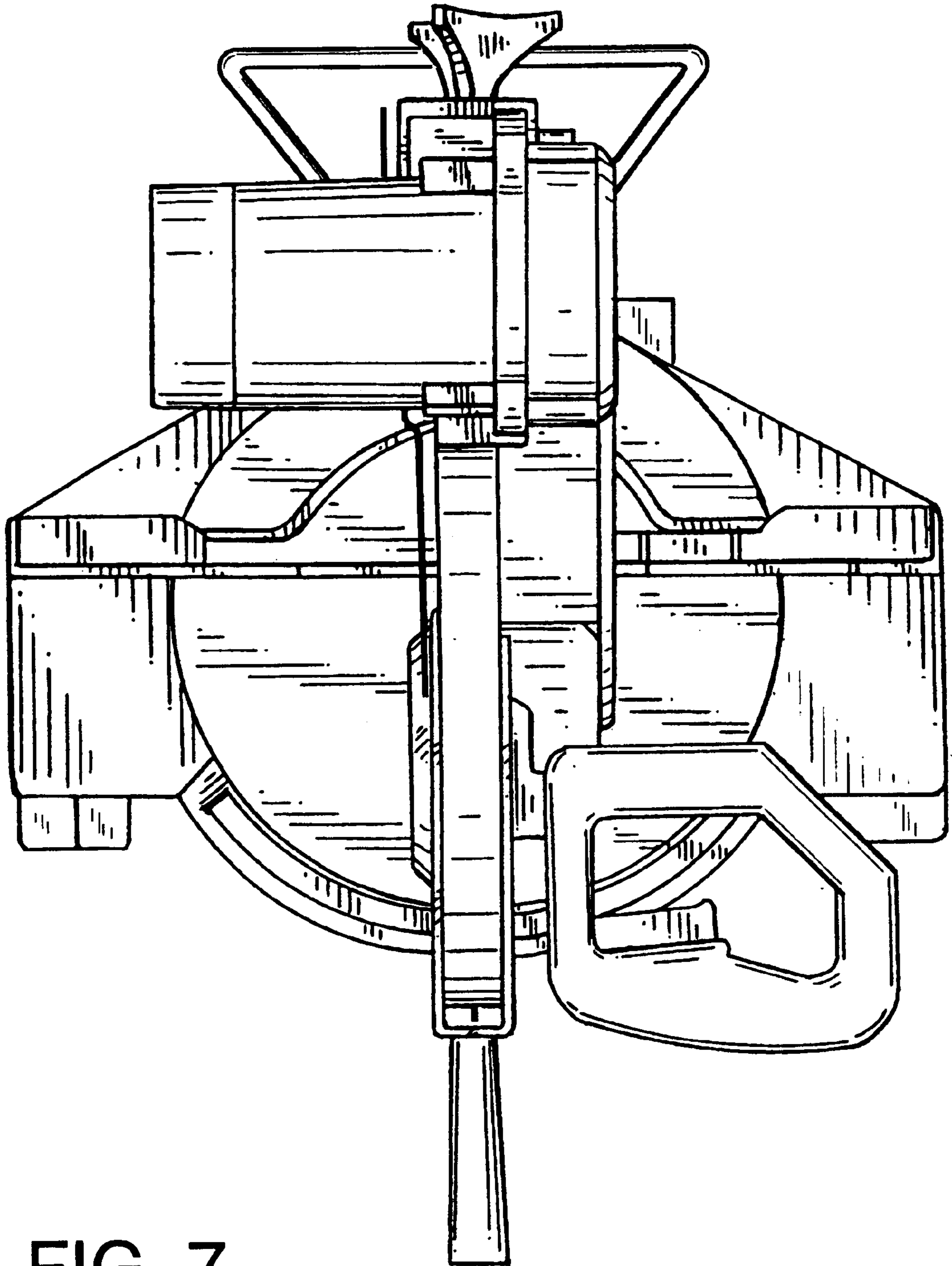


FIG. 7



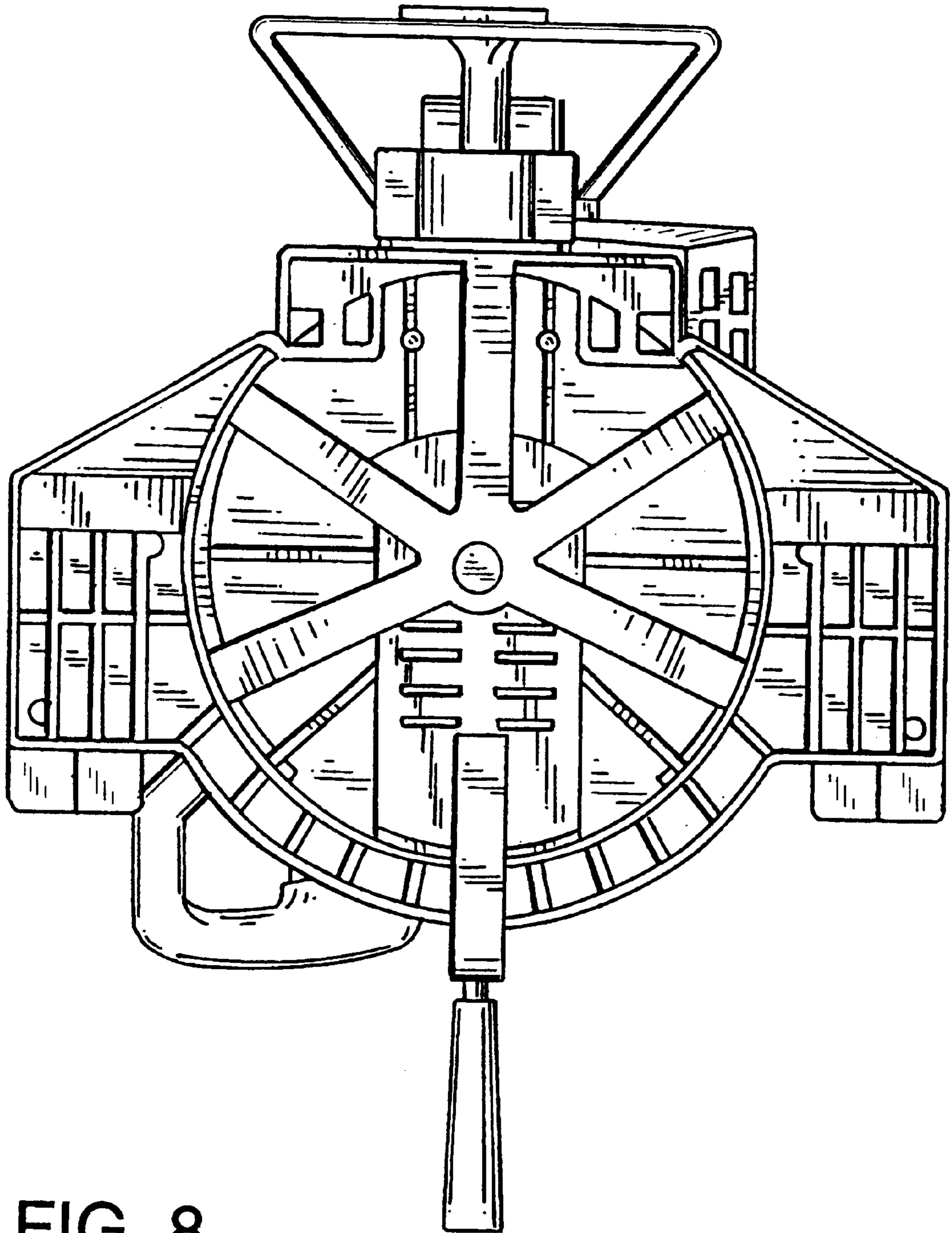


FIG. 8

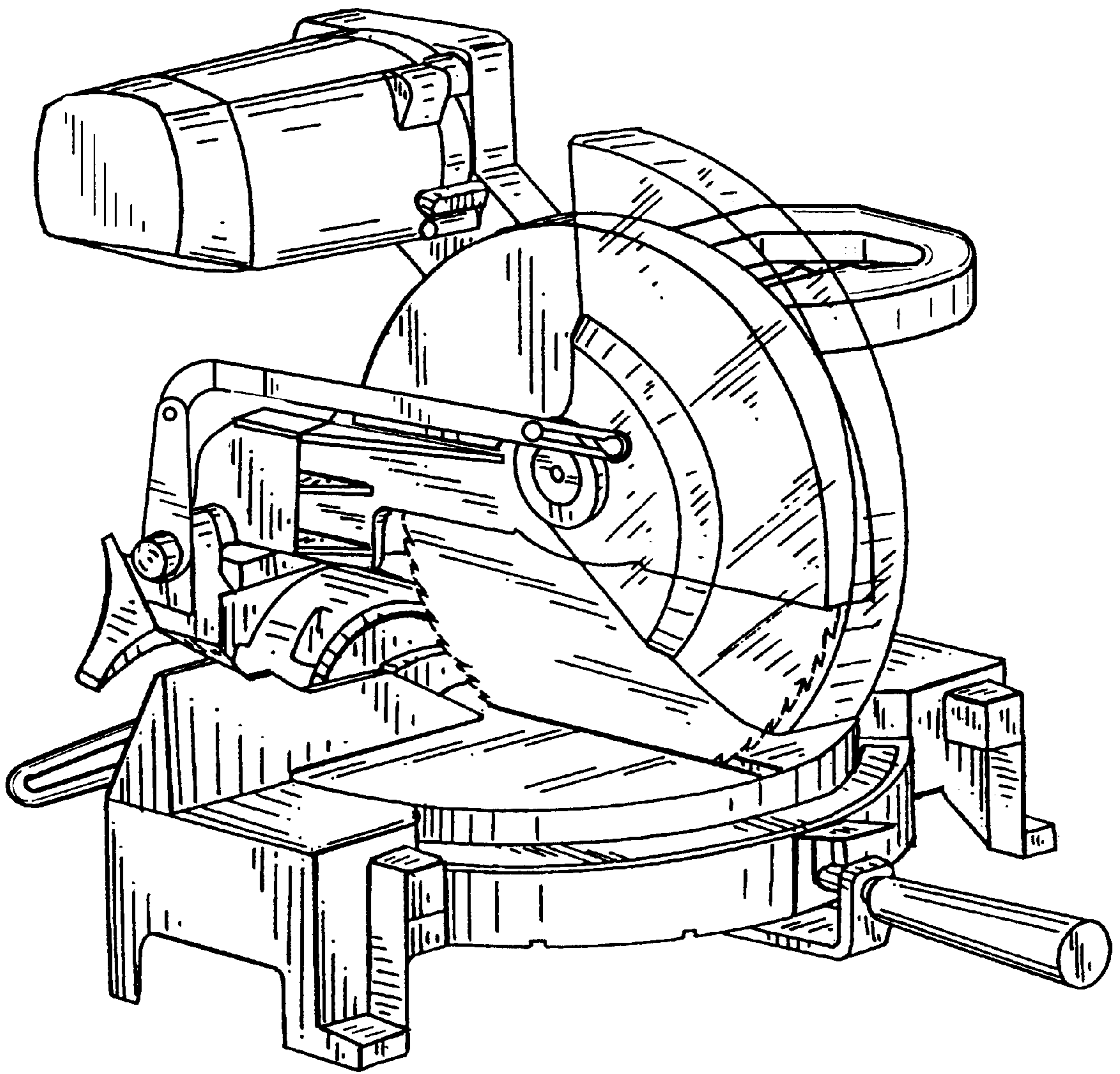


FIG. 9

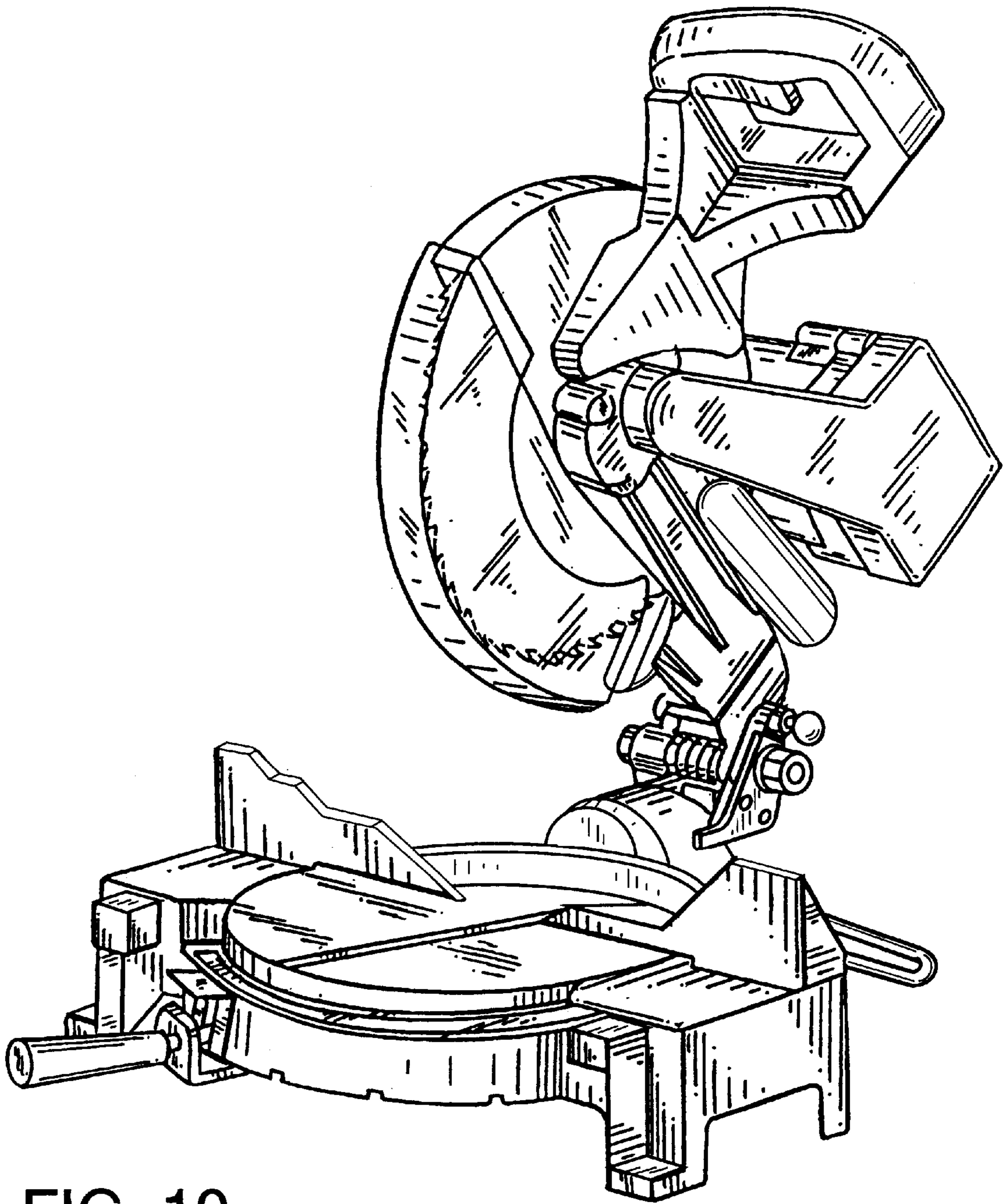


FIG. 10

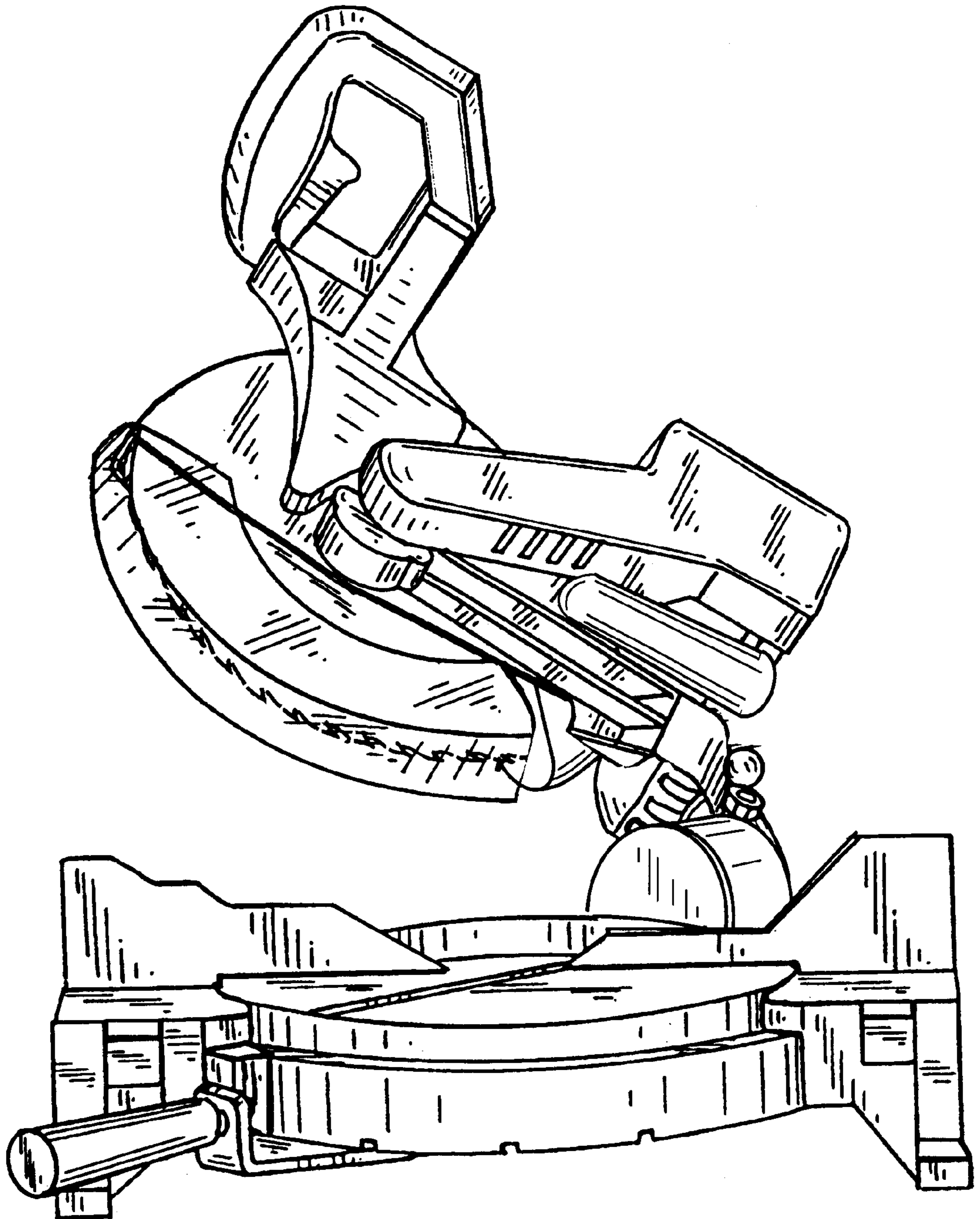


FIG. 11

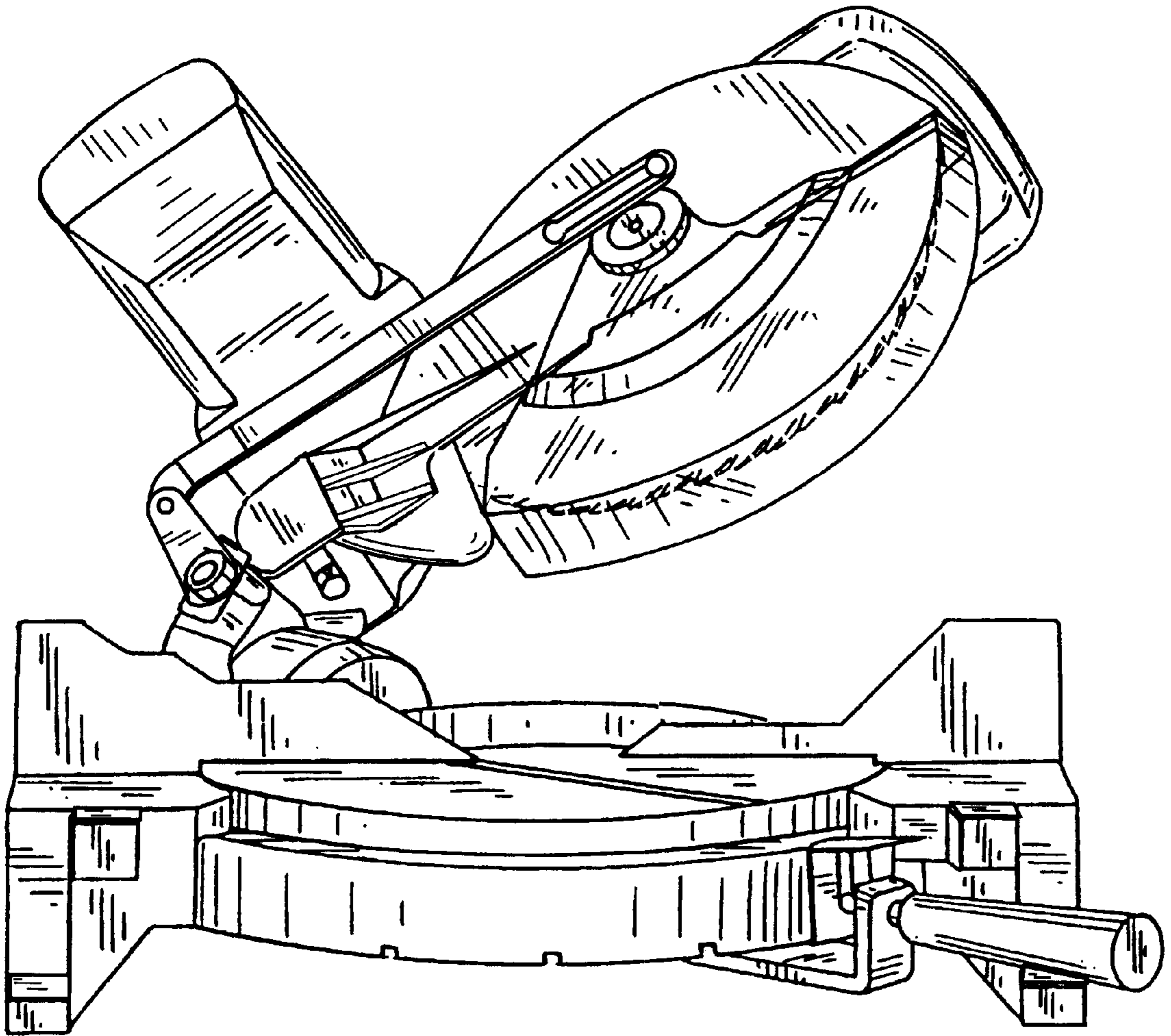


FIG. 12