



US00D471215S

(12) **United States Design Patent**  
**Wang**

(10) **Patent No.:** **US D471,215 S**

(45) **Date of Patent:** **\*\* Mar. 4, 2003**

(54) **PLANER**

(76) **Inventor:** **Chin-Feng Wang**, 11F-2, No43. Chai-I Street, Taichung City (TW)

(\*\*) **Term:** **14 Years**

(21) **Appl. No.:** **29/163,843**

(22) **Filed:** **Jul. 15, 2002**

(51) **LOC (7) Cl.** ..... **15-09**

(52) **U.S. Cl.** ..... **D15/127**

(58) **Field of Search** ..... D15/127; 144/112.1, 144/114.1, 117 R, 114 R, 124-127 A, 154.5, 129, 130, 218, 225, 228, 230, 242.5, 245.1, 246.1, 250.2, 253.2, 253.8, 253.3, 252.1, 375; 400/115 R, 241 S; 409/175, 181

(56) **References Cited**

**U.S. PATENT DOCUMENTS**

D284,286 S \* 6/1986 Pioch et al. .... D15/127

D307,592 S \* 5/1990 Monobe et al. .... D15/127

D322,258 S \* 12/1991 Monobe ..... D15/127

\* cited by examiner

*Primary Examiner*—Antoine Duval Davis

(74) *Attorney, Agent, or Firm*—Charles E. Baxley

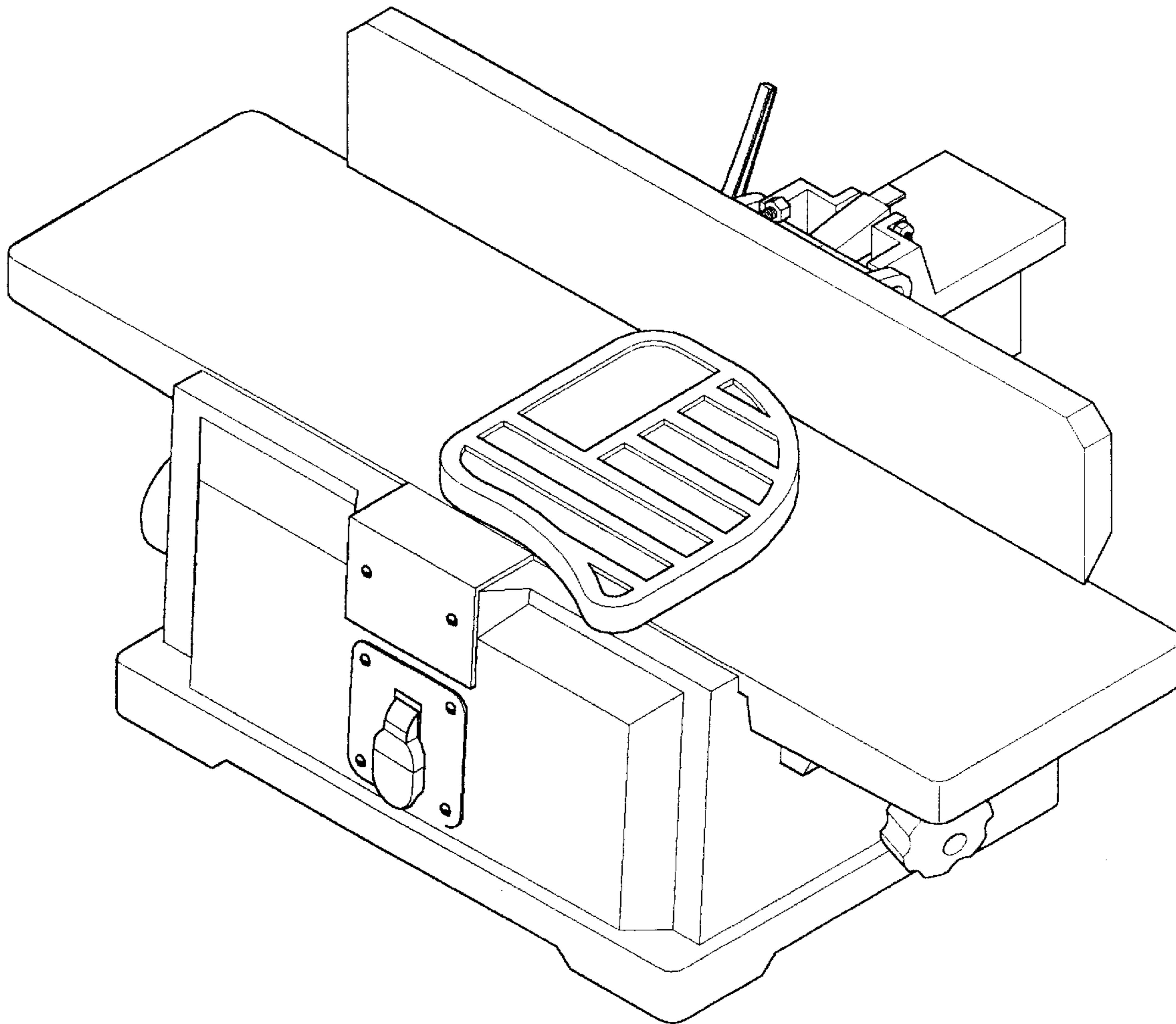
(57) **CLAIM**

The ornamental design for a planer, as shown and described.

**DESCRIPTION**

FIG. 1 is a front-right-top perspective view of a planer, showing my new design;  
FIG. 2 is a front elevational view thereof;  
FIG. 3 is a rear elevational view thereof;  
FIG. 4 is a left elevational view thereof;  
FIG. 5 is a right elevational view thereof;  
FIG. 6 is a top plan view thereof; and,  
FIG. 7 is a bottom plan view thereof.

**1 Claim, 4 Drawing Sheets**



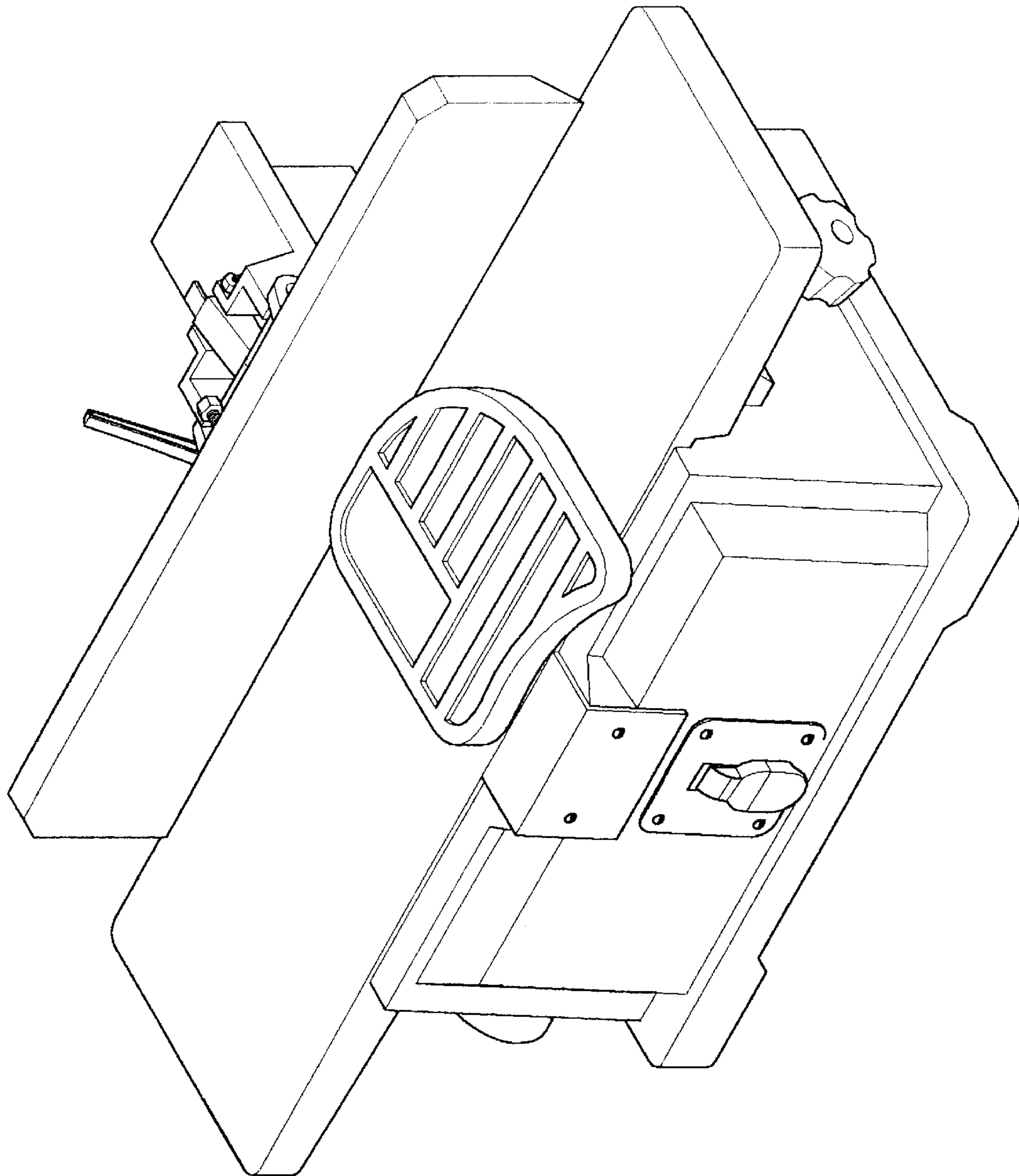


FIG. 1

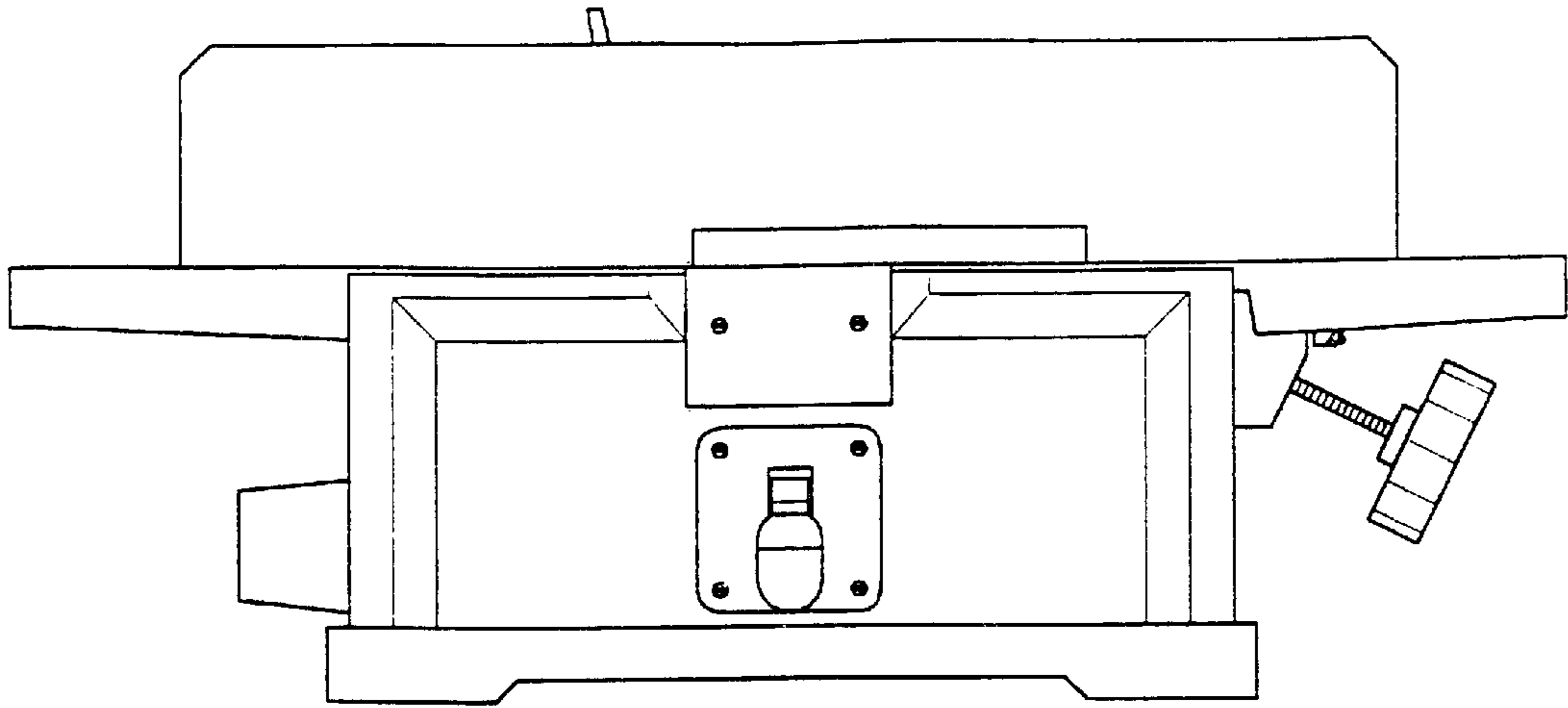


FIG. 2

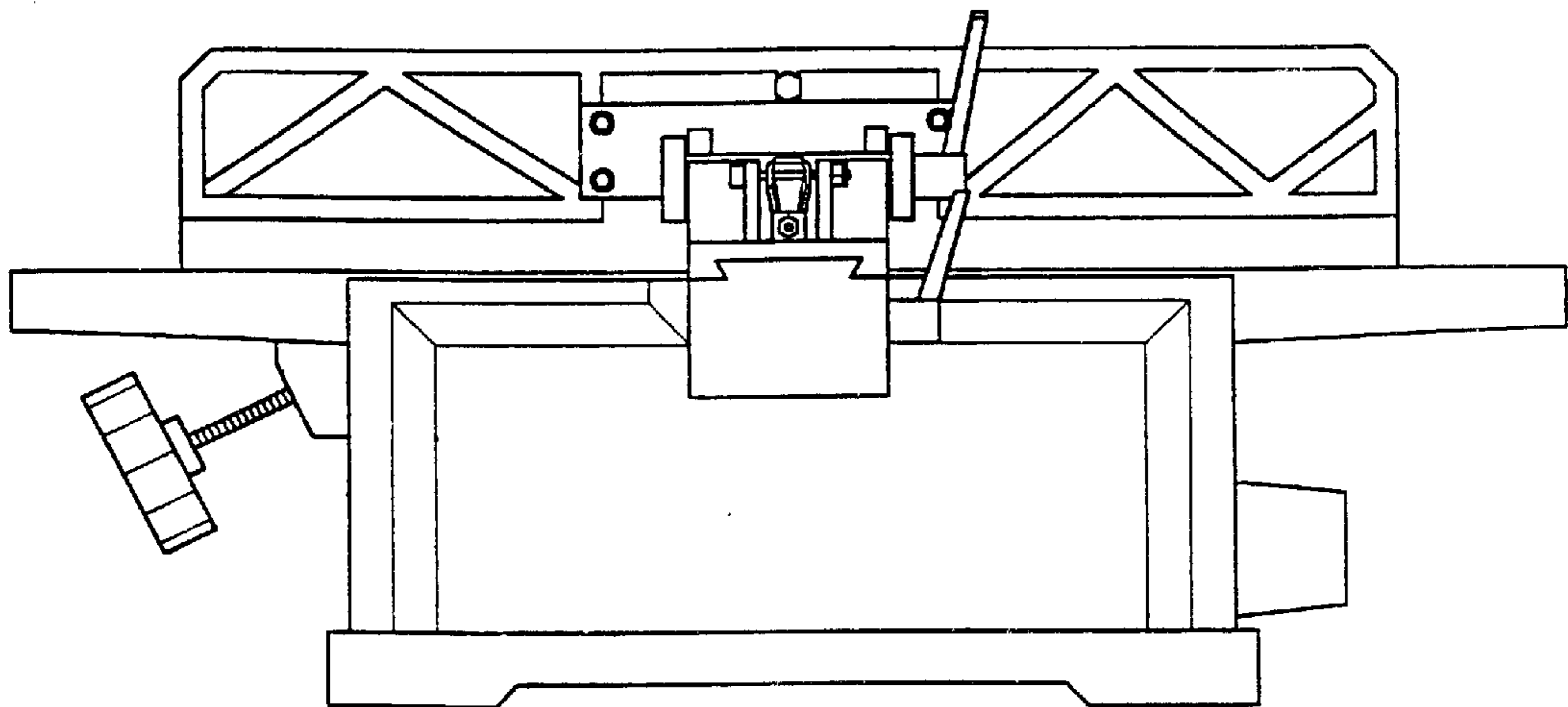


FIG. 3

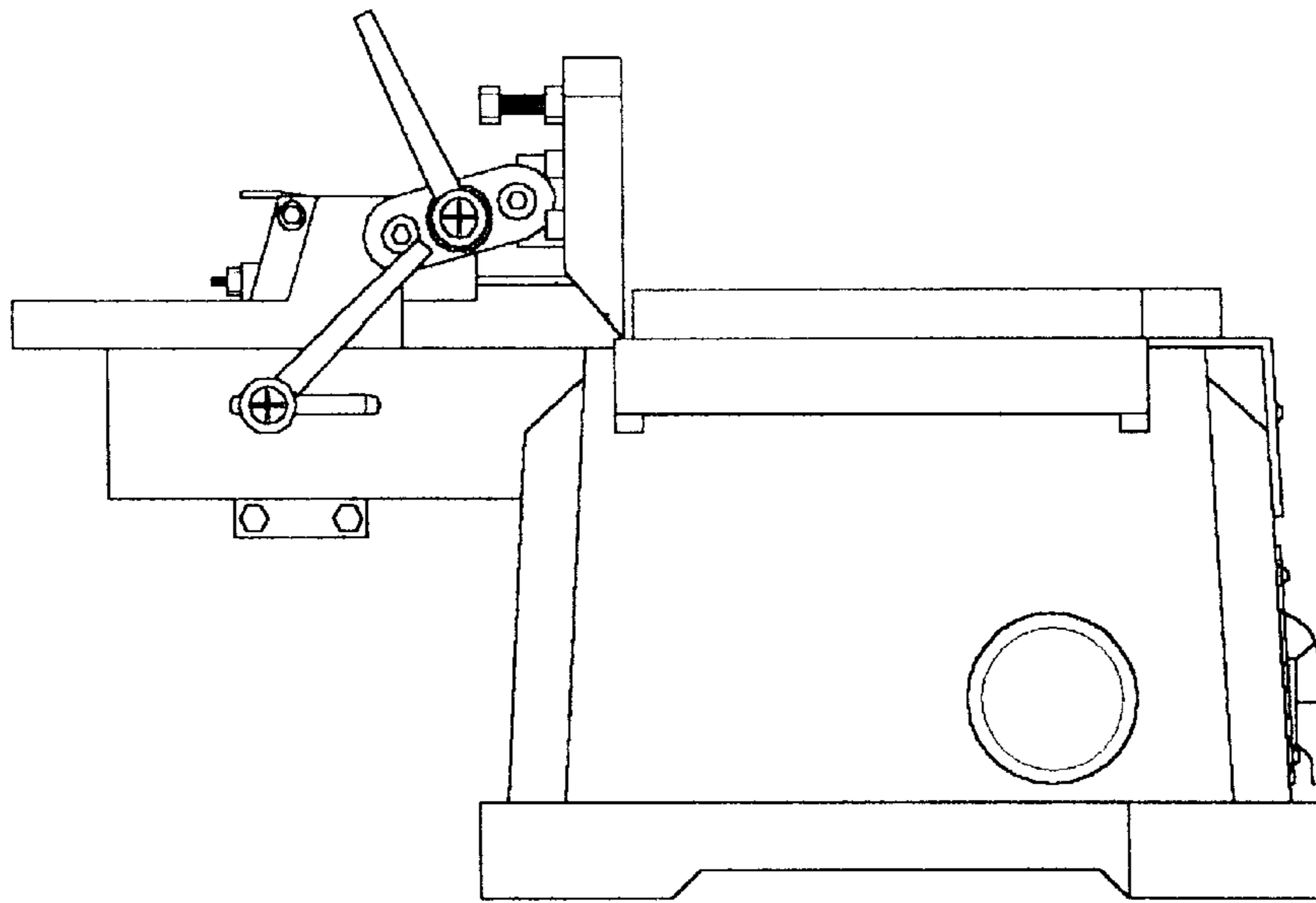


FIG. 4

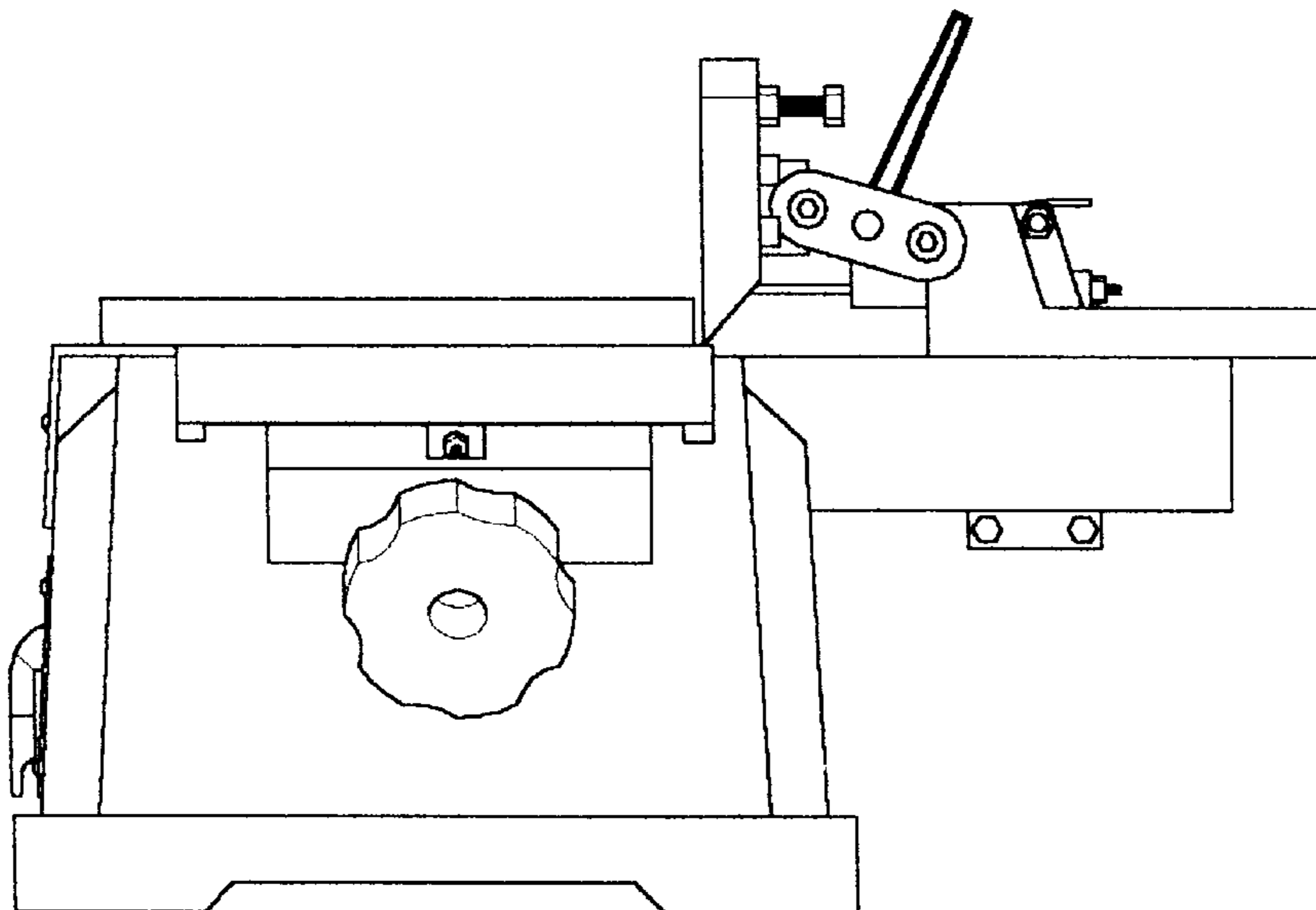


FIG. 5

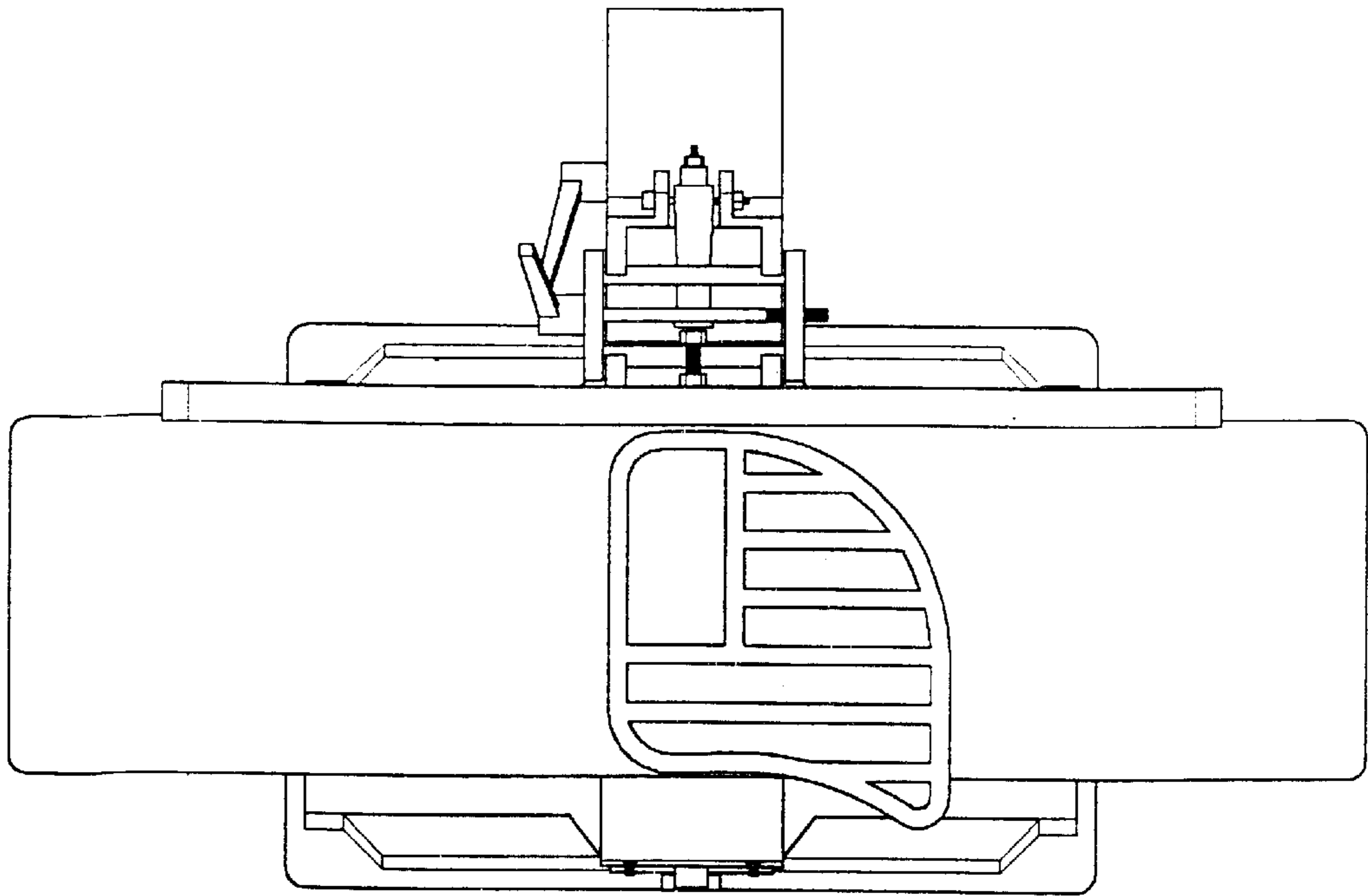


FIG. 6

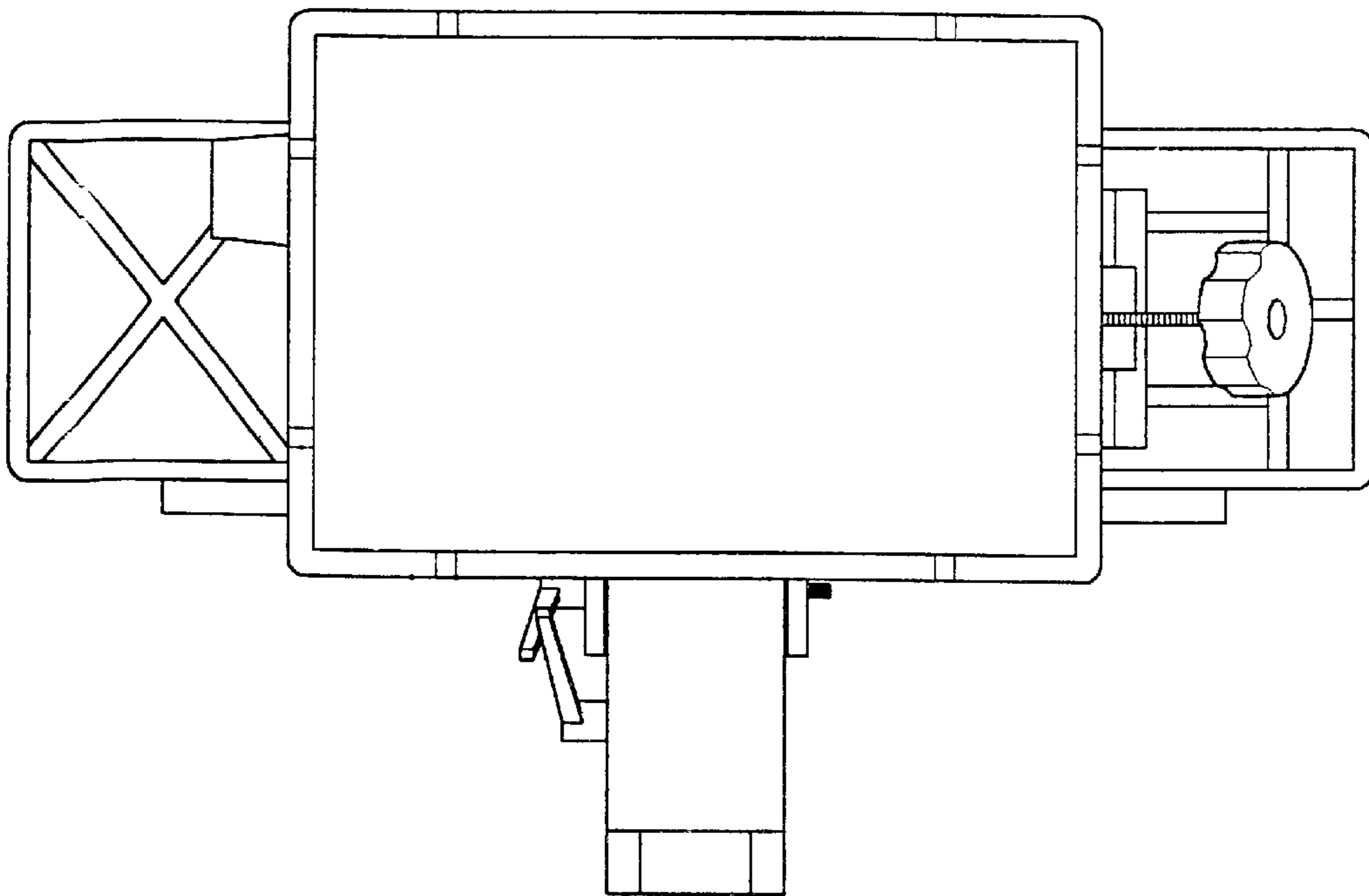


FIG. 7