



US00D471212S

(12) **United States Design Patent**
Toral Rodriguez

(10) **Patent No.:** **US D471,212 S**

(45) **Date of Patent:** **** Mar. 4, 2003**

(54) **ENGAGEMENT ARRANGEMENT OF TWO CONNECTABLE BODIES**

D275,859 S * 10/1984 Nilsson D15/28
D339,592 S * 9/1993 Johansson D15/29
5,775,076 A * 7/1998 Mossman 56/119
5,983,813 A * 11/1999 Swab et al. 111/133

(75) **Inventor:** **Jorge Toral Rodriguez**, Montcada I Reixac (ES)

* cited by examiner

(73) **Assignee:** **Metalogenia S.A.**, Barcelona (ES)

Primary Examiner—Mitchell Siegel

(**) **Term:** **14 Years**

(74) *Attorney, Agent, or Firm*—Sughrue Mion, PLLC

(21) **Appl. No.:** **29/149,006**

(57) **CLAIM**

(22) **Filed:** **Oct. 2, 2001**

The ornamental design for an engagement arrangement of two connectable bodies, as shown and described.

(30) **Foreign Application Priority Data**

DESCRIPTION

Apr. 2, 2001 (ES) 151027

(51) **LOC (7) Cl.** **15-99**

(52) **U.S. Cl.** **D15/28**

(58) **Field of Search** D15/28, 29, 32;
37/446, 450-453; 111/133, 150, 152; 403/287,
375; 56/119, 314, 12.8, 14.1, 14.3, 14.6

FIG. 1 is a side elevational view of one side of an engagement arrangement of two connectable bodies showing my new design;

FIG. 2 is a perspective view of the top, one side and end of the bodies in partial engaged relation;

FIG. 3 is a sectional view taken along the line 3—3 in FIG. 1;

FIG. 4 is a perspective view of the end and opposite side of one body; and,

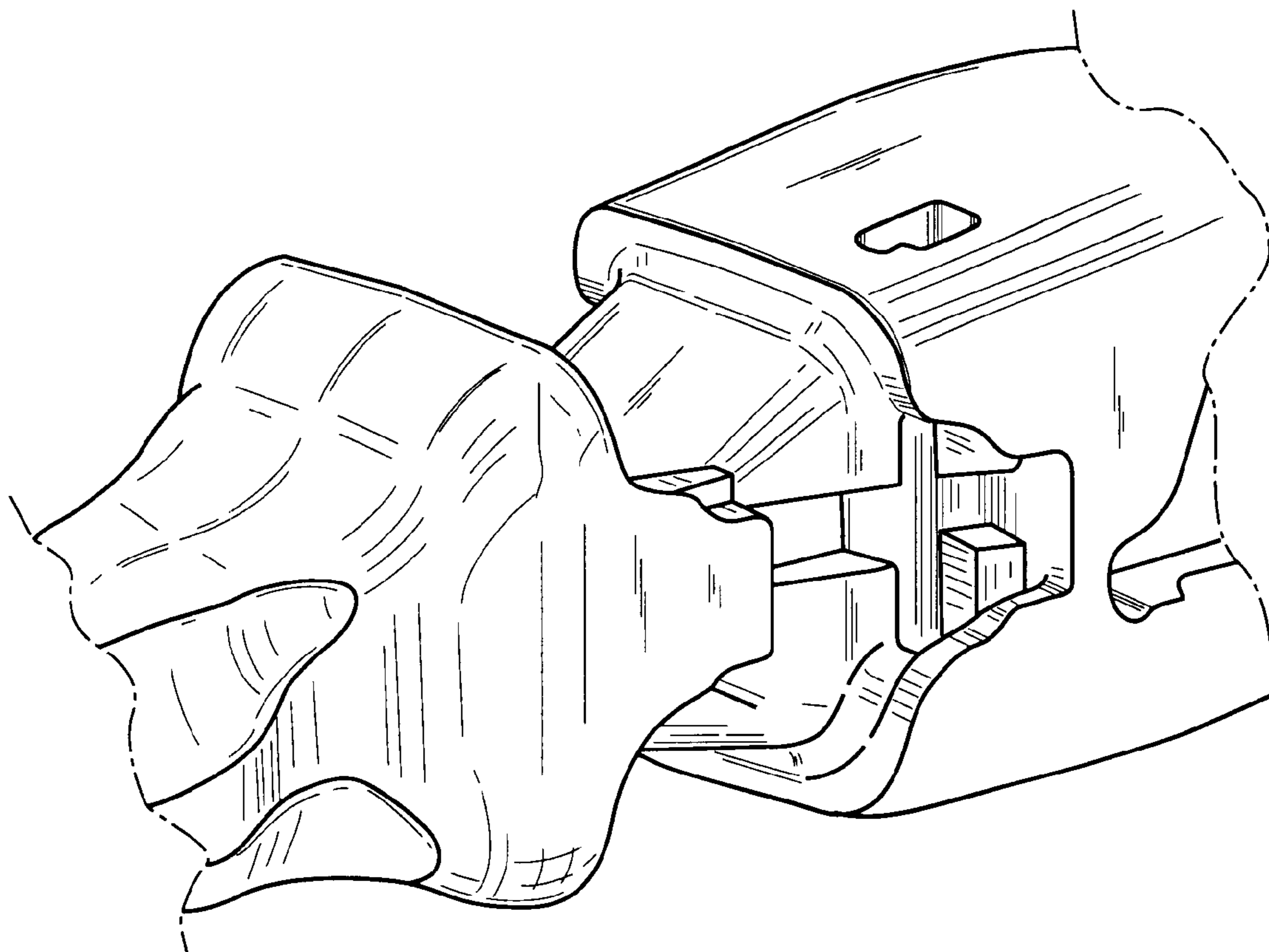
FIG. 5 is a perspective view of the top end and opposite side of the other body.

(56) **References Cited**

U.S. PATENT DOCUMENTS

3,845,578 A * 11/1974 Holmstrom 37/446
3,851,413 A * 12/1974 Lukavich 37/450
4,027,408 A * 6/1977 Ramella et al. 37/455

1 Claim, 2 Drawing Sheets



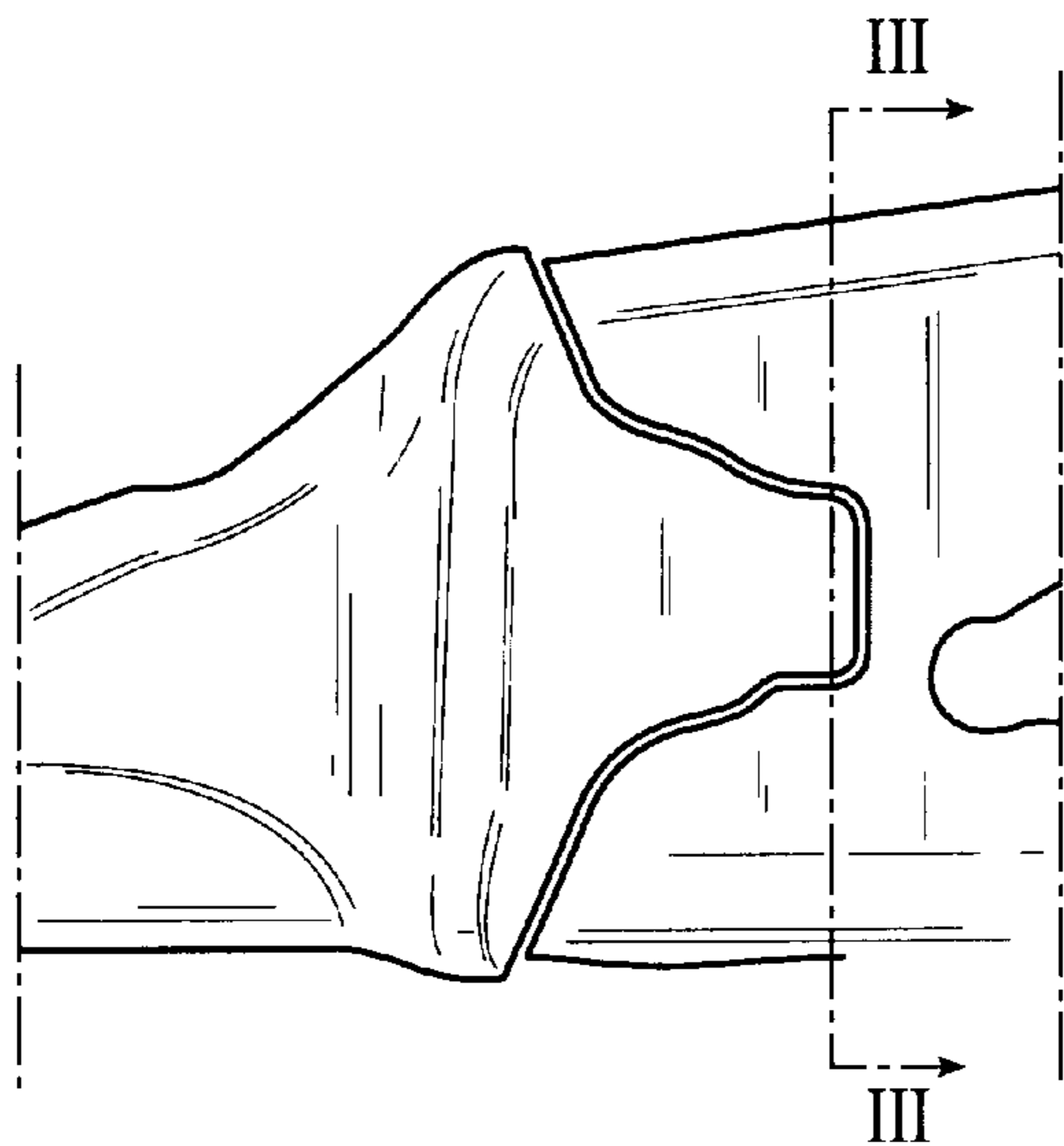


Fig. 1

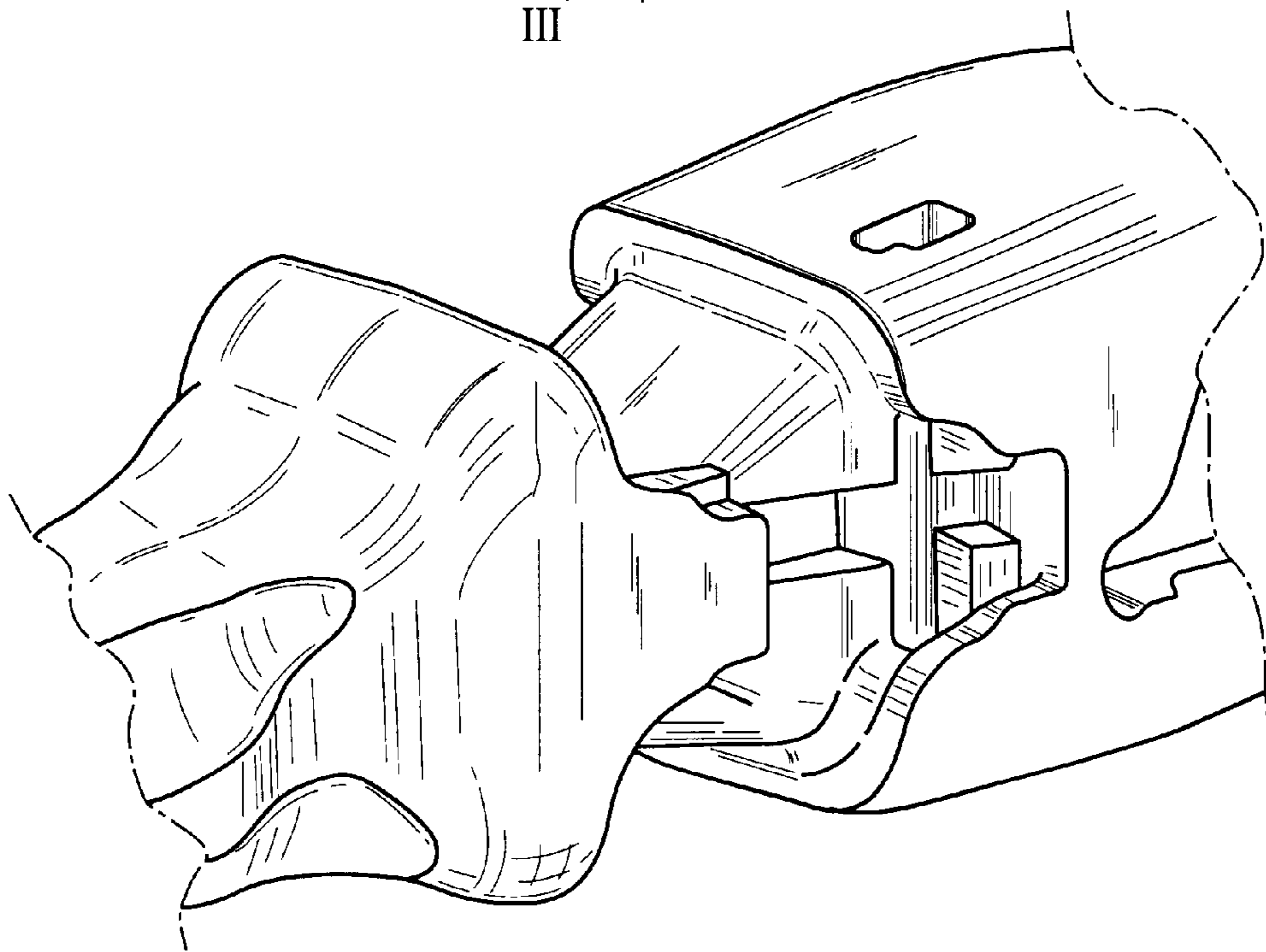


Fig. 2

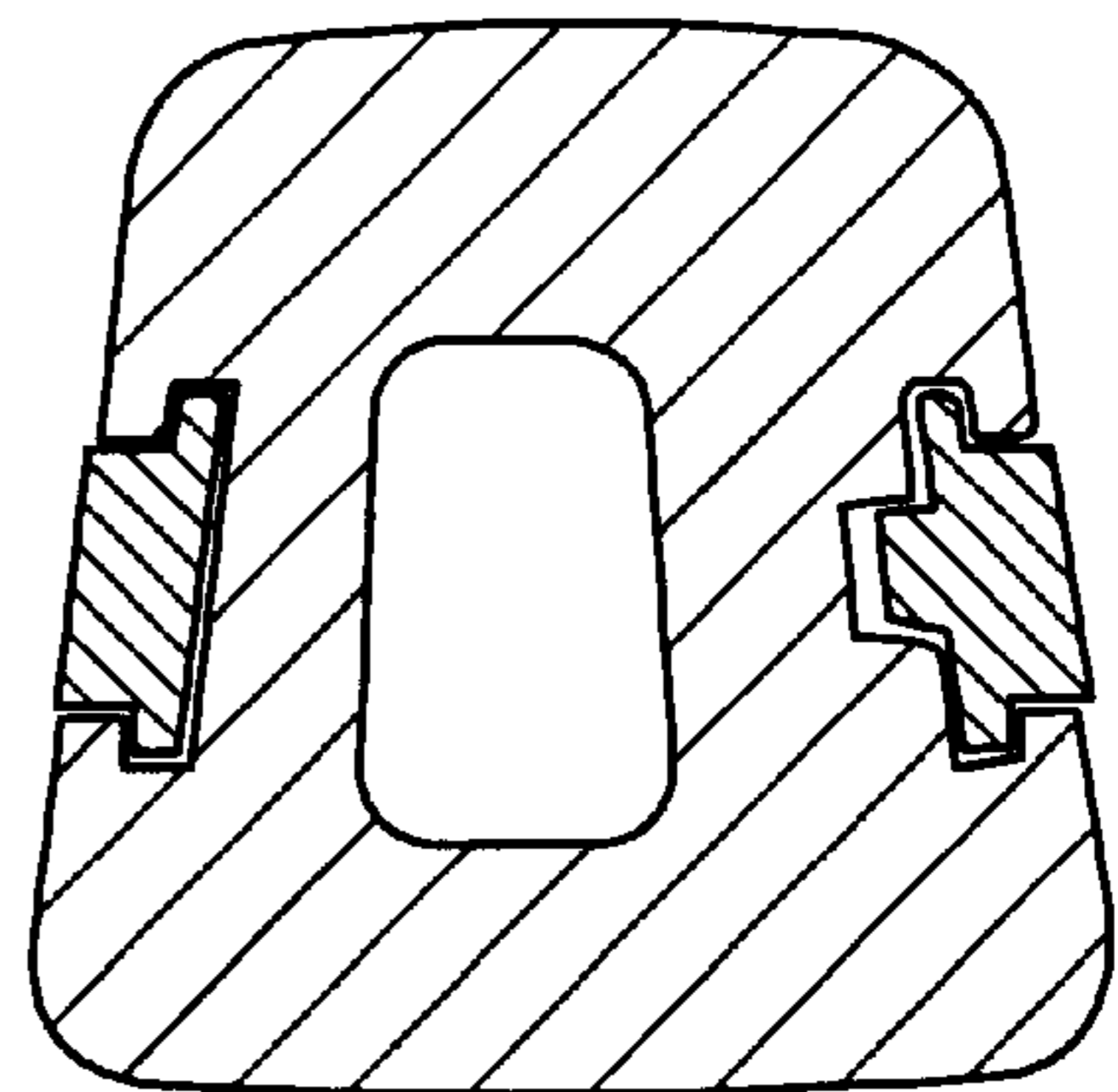


Fig. 3

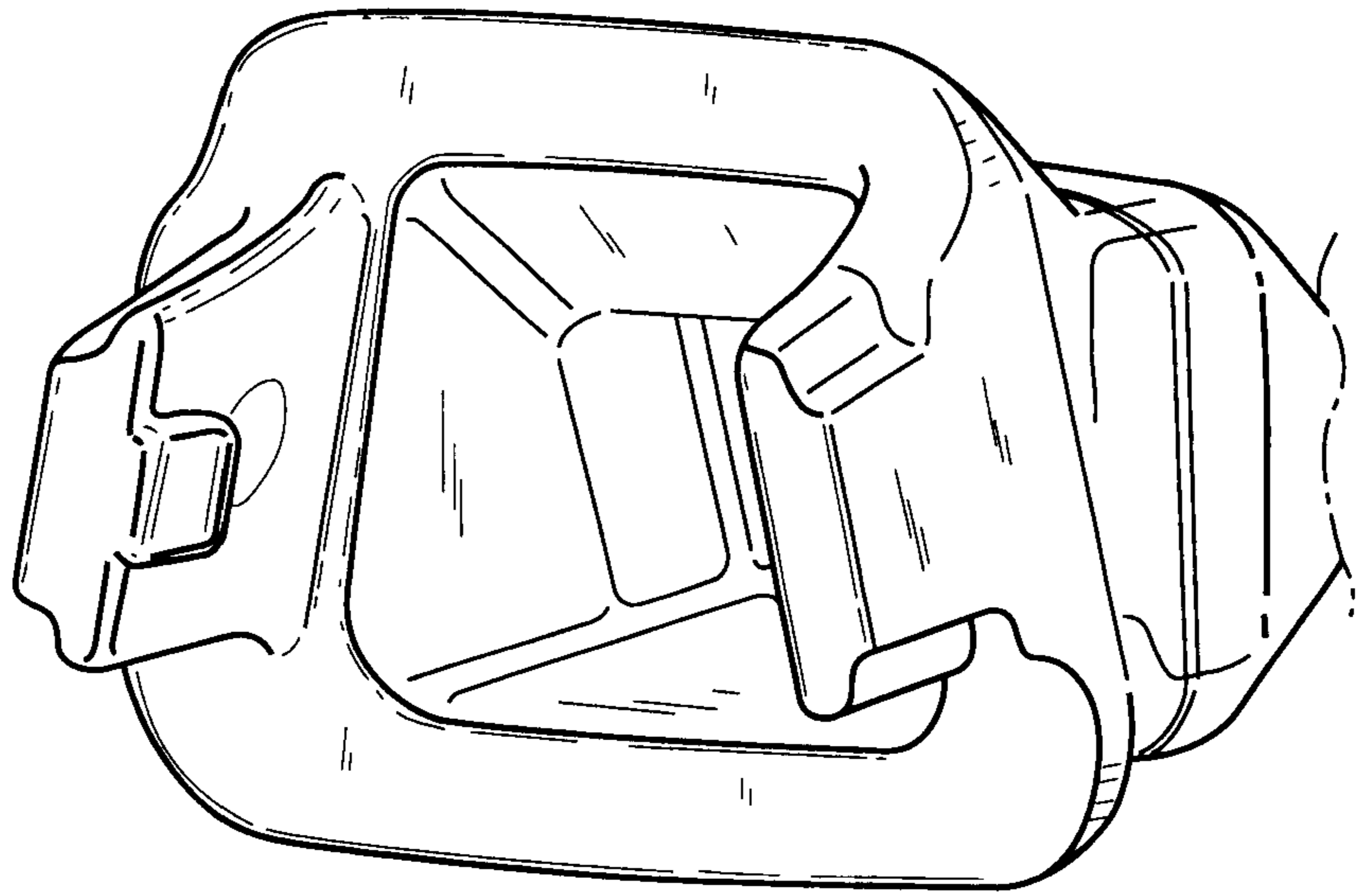


Fig. 4

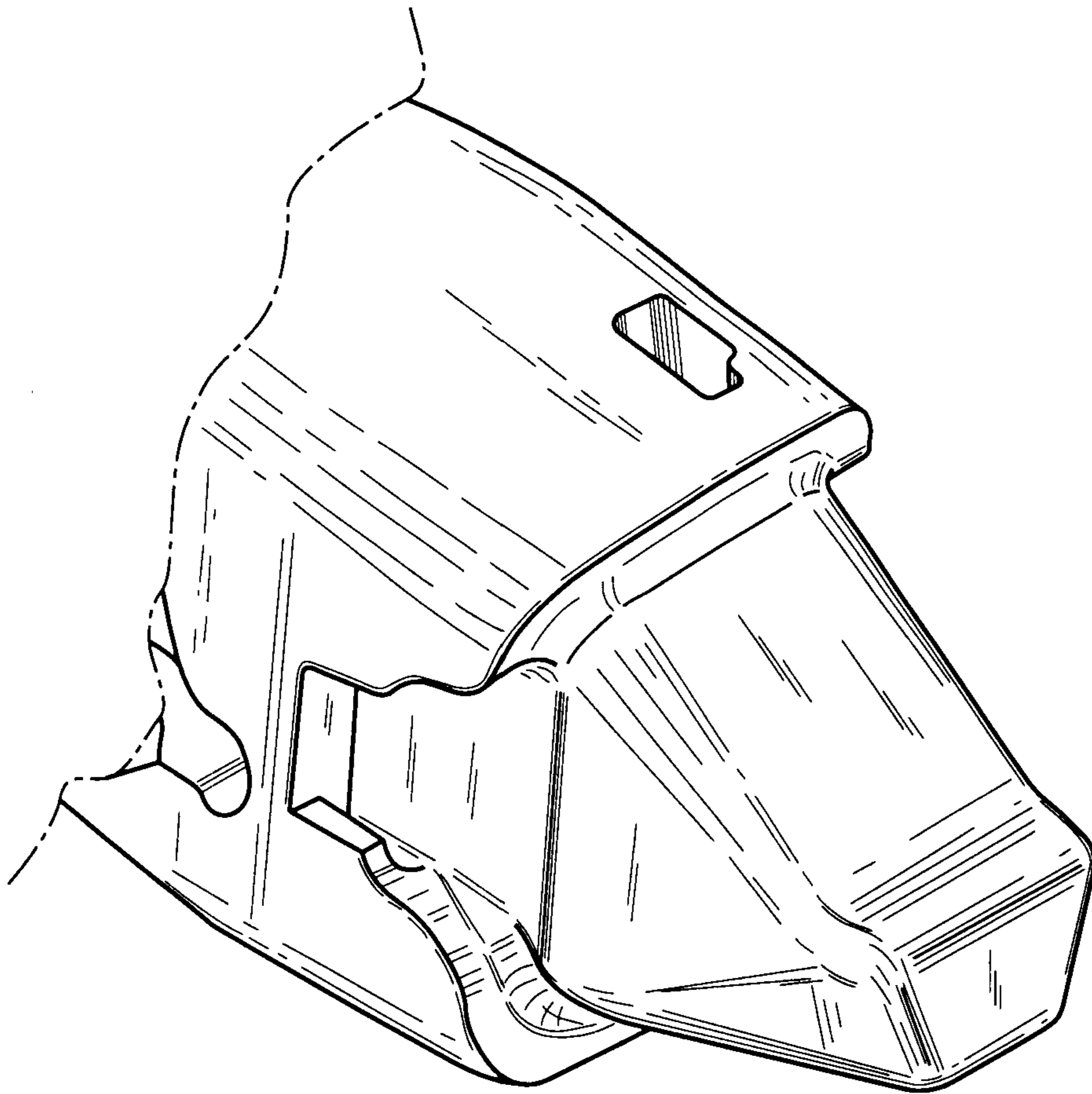


Fig. 5