



US00D471209S

(12) **United States Design Patent**
Wang

(10) **Patent No.:** **US D471,209 S**

(45) **Date of Patent:** **** Mar. 4, 2003**

(54) **AIR PUMP**

(76) **Inventor:** **Ta-Chin Wang**, 17-2 Fl., No. 457,
Cheng-Kung Rd., Tainan (TW)

(**) **Term:** **14 Years**

(21) **Appl. No.:** **29/150,286**

(22) **Filed:** **Nov. 20, 2001**

(51) **LOC (7) Cl.** **15-02**

(52) **U.S. Cl.** **D15/9**

(58) **Field of Search** D15/7-9; 417/234,
417/229, 321, 410-411, 265, 415, 405

(56) **References Cited**

U.S. PATENT DOCUMENTS

D388,798 S	*	1/1998	Kan	D15/9
D395,051 S	*	6/1998	Bonzer	D15/9
D398,011 S	*	9/1998	Wang	D15/9
D409,627 S	*	5/1999	Wang	D15/9

* cited by examiner

Primary Examiner—Ralf Seifert

(74) *Attorney, Agent, or Firm*—Rosenberg, Klein & Lee

(57) **CLAIM**

The ornamental design for an air pump, as shown and described.

DESCRIPTION

FIG. 1 is a perspective view of an air pump, showing my new design;

FIG. 2 is a front elevational view thereof;

FIG. 3 is a rear elevational view thereof;

FIG. 4 is a left elevational view thereof;

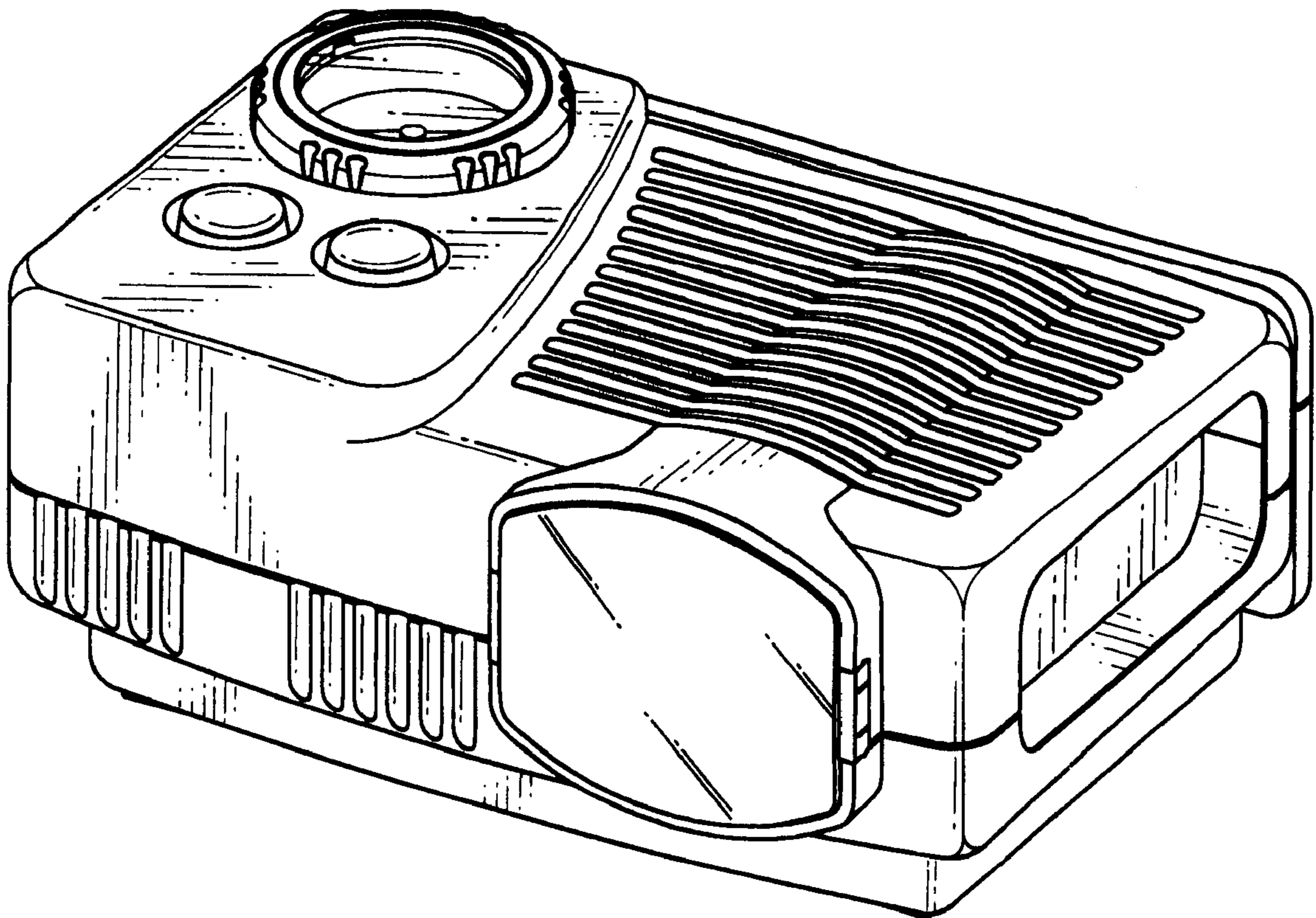
FIG. 5 is a right elevational view thereof;

FIG. 6 is top plan view thereof;

FIG. 7 is a bottom plan view thereof; and,

FIG. 8 is a perspective view thereof, the element shown in broken lines is for illustrative purpose only and forms no part of the claimed design.

1 Claim, 5 Drawing Sheets



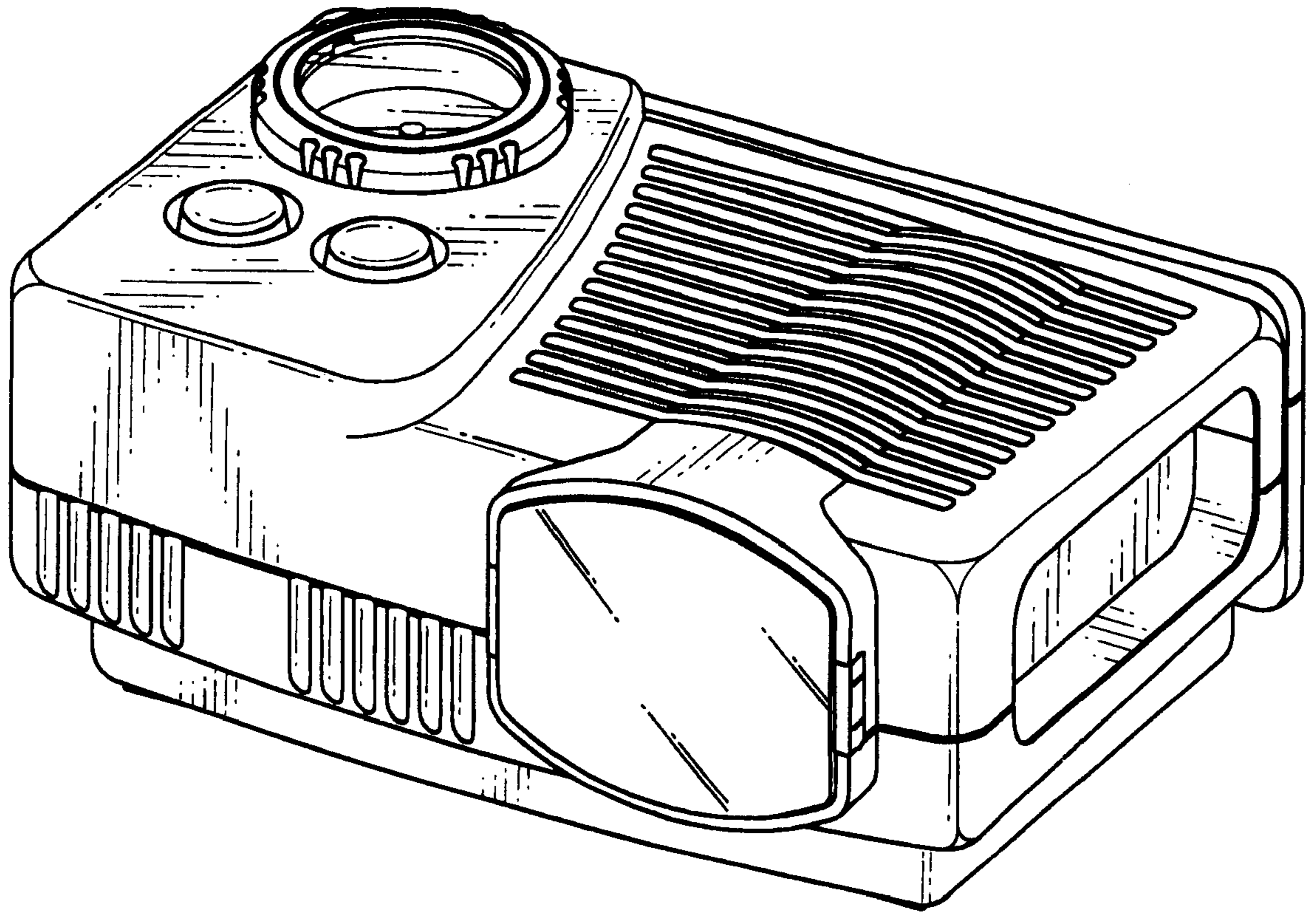


FIG.1

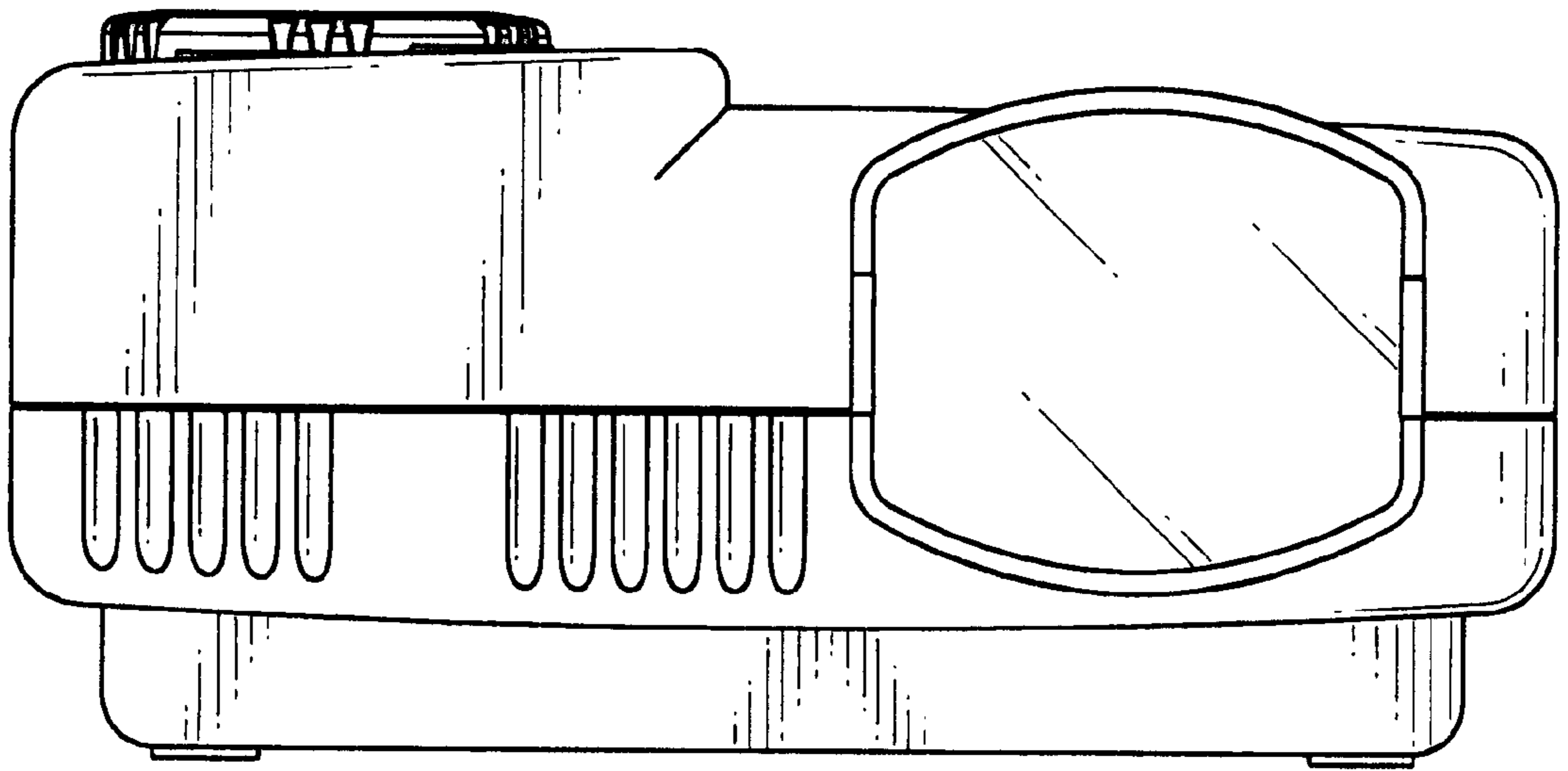


FIG. 2

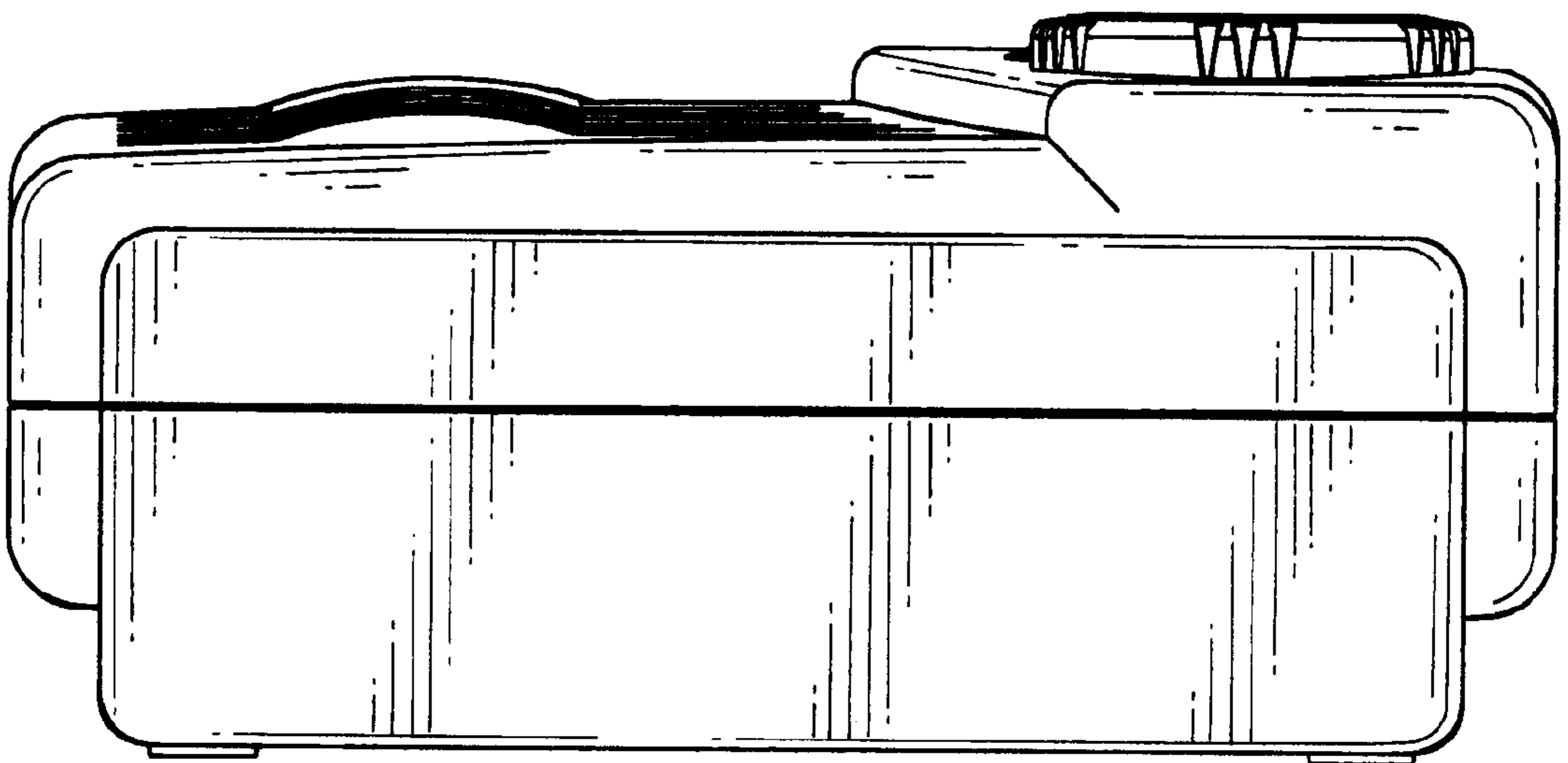


FIG. 3

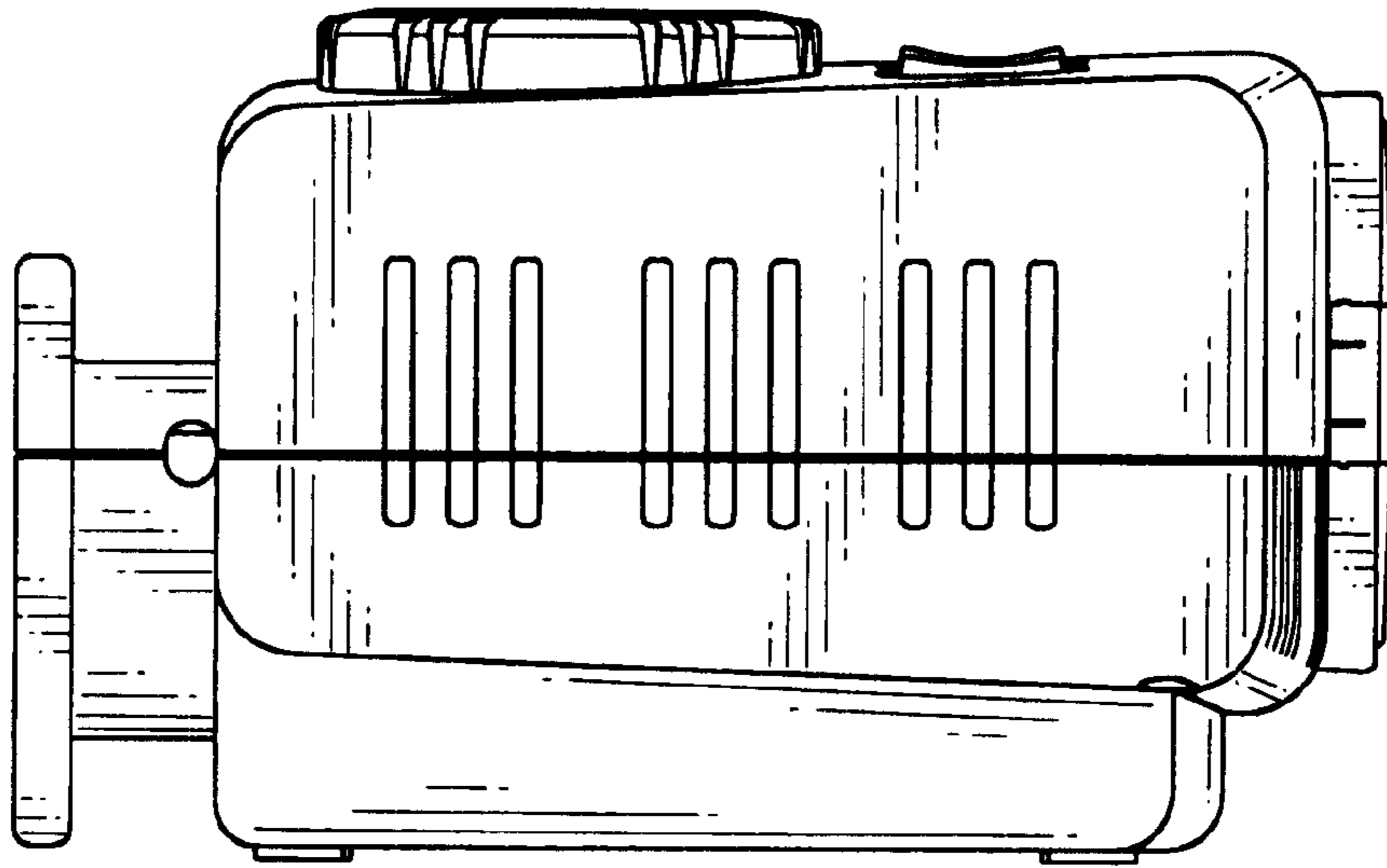


FIG. 4

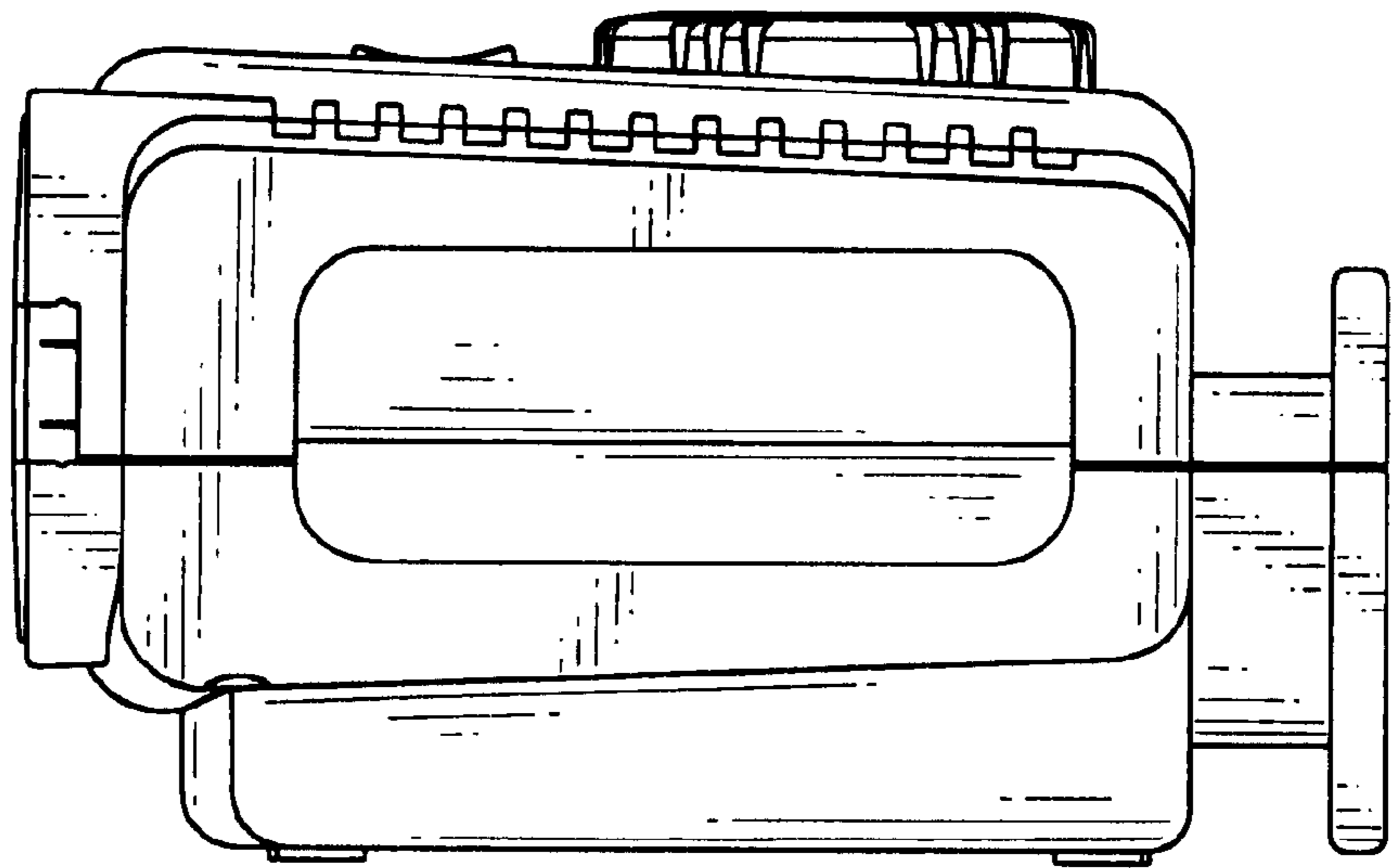


FIG. 5

FIG. 6

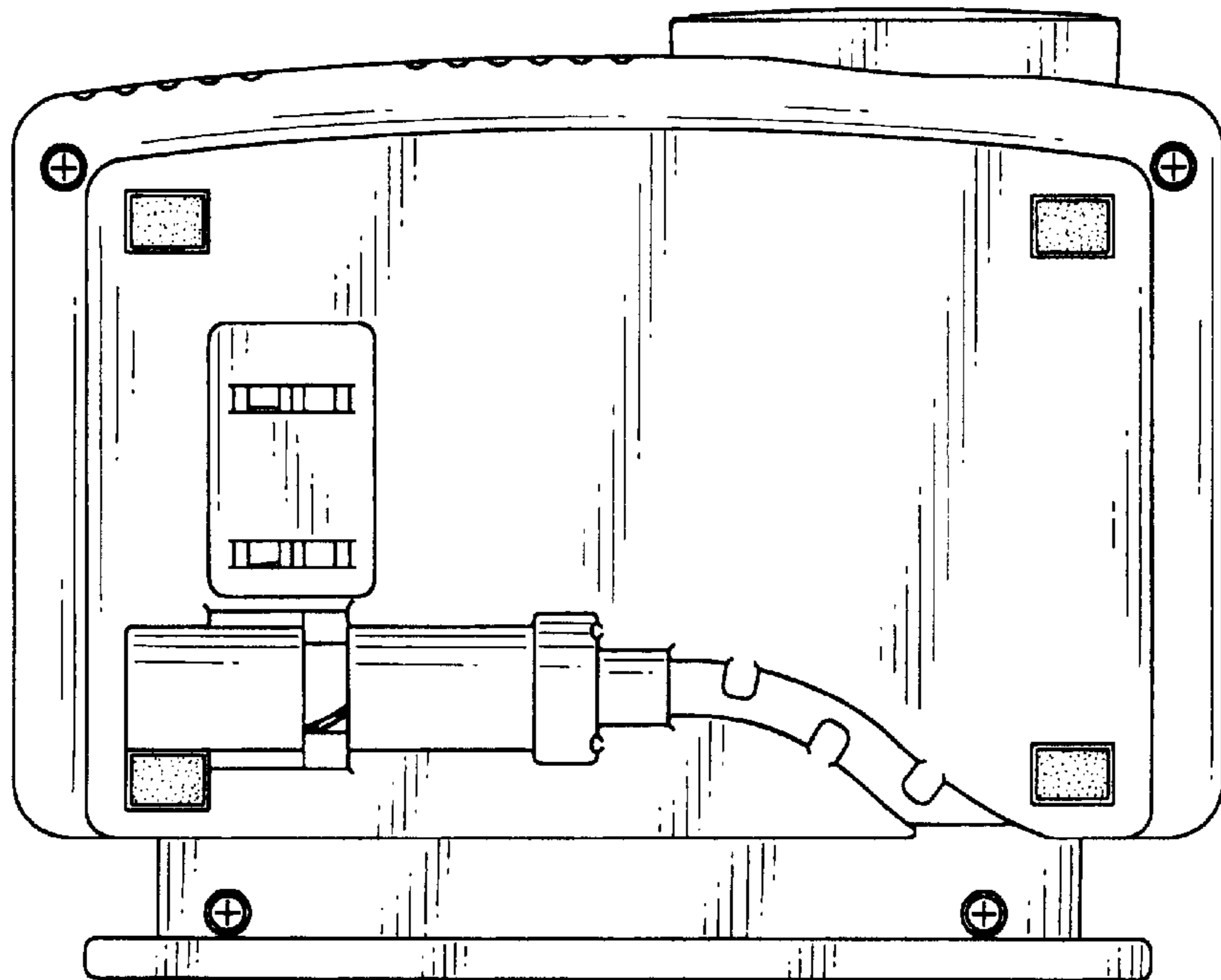
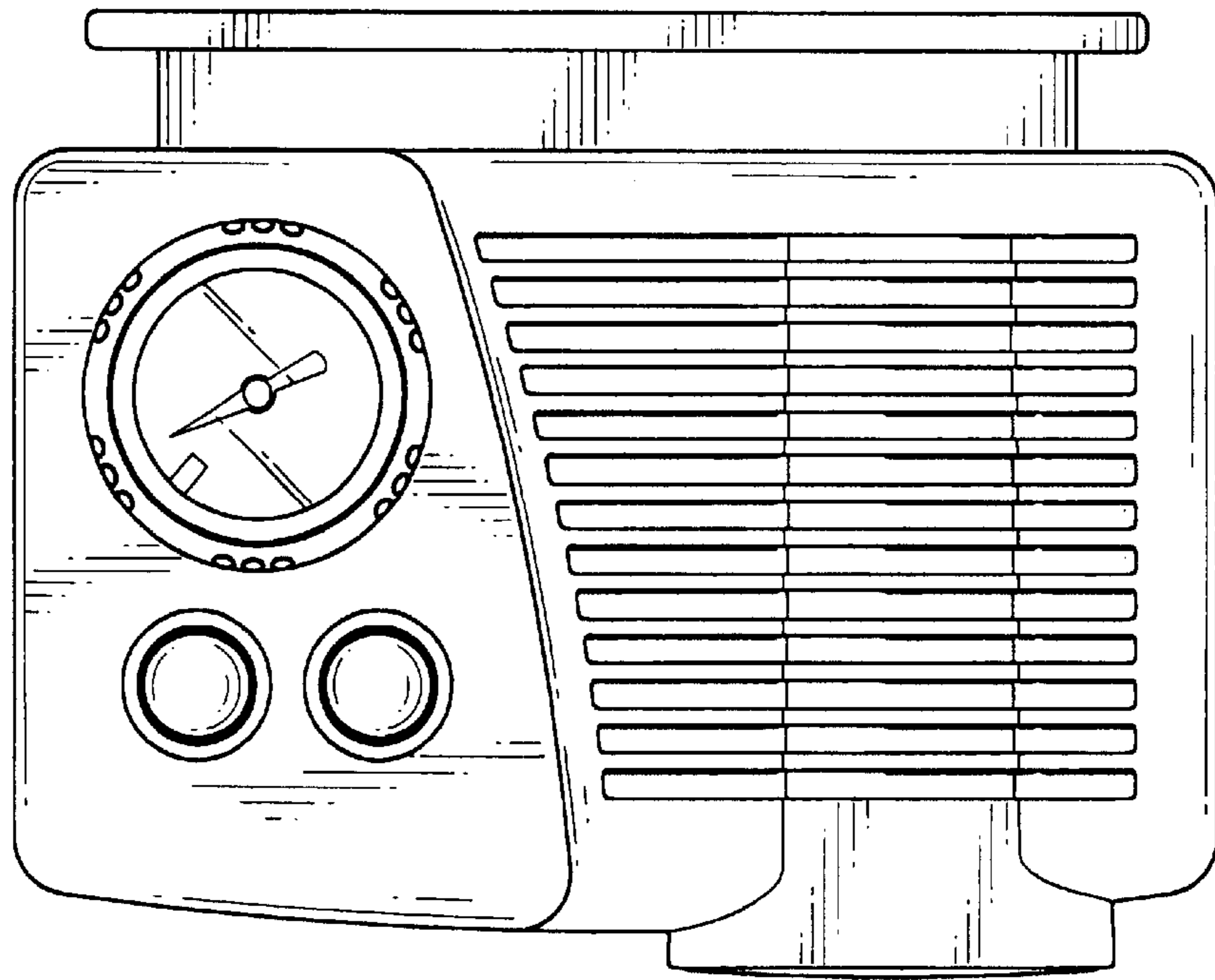


FIG. 7

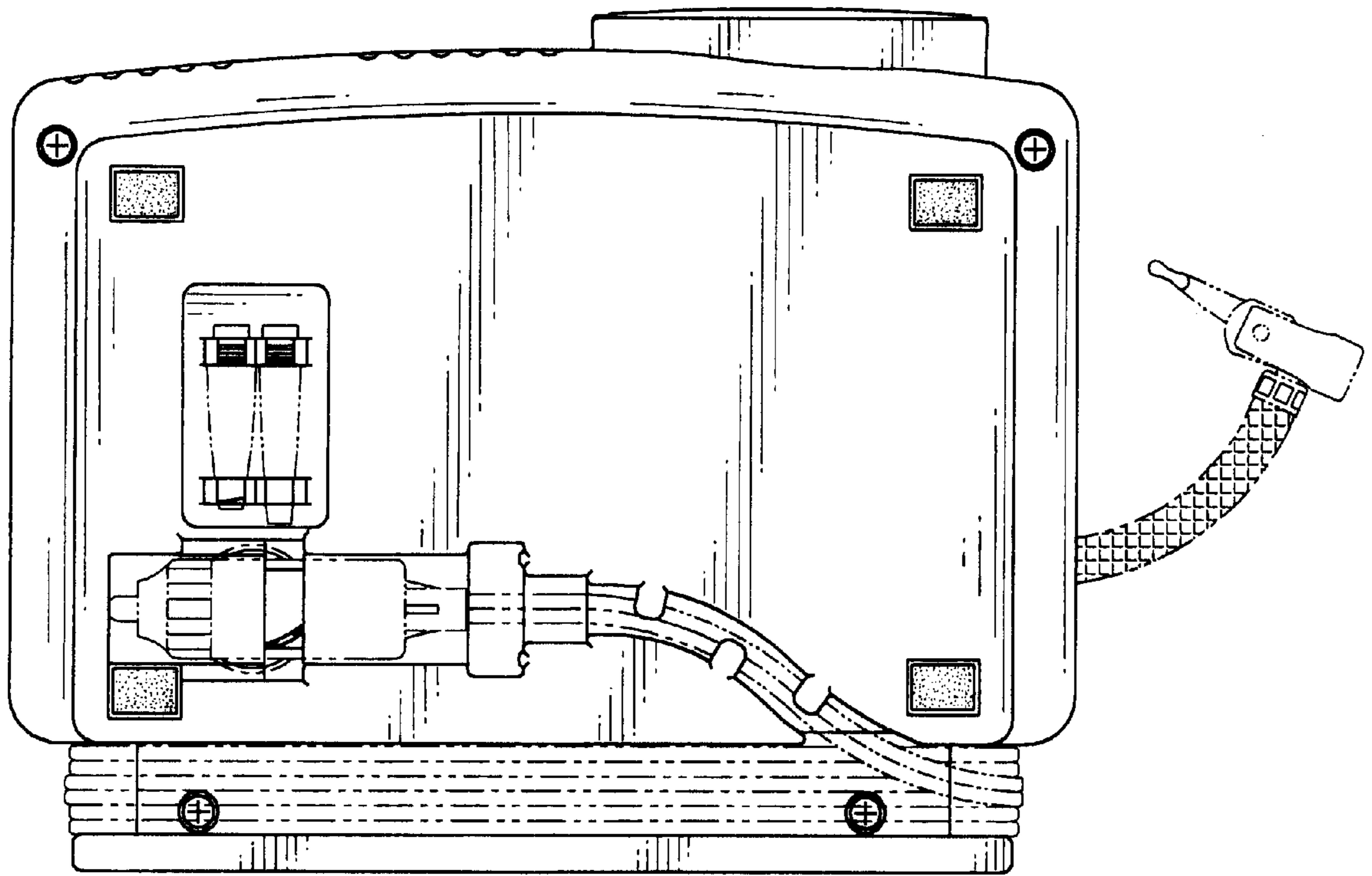


FIG. 8