



US00D471207S

(12) **United States Design Patent**  
**Kern et al.**

(10) **Patent No.:** **US D471,207 S**

(45) **Date of Patent:** **\*\* Mar. 4, 2003**

(54) **ENGINE COVER**

(75) Inventors: **Robert D. Kern**, Waukesha, WI (US);  
**Gerald C. Ruehlow**, Oconomowoc, WI (US);  
**Guoming Wu**, Waukesha, WI (US)

(73) Assignee: **Generac Power Systems, Inc.**,  
Waukesha, WI (US)

(\*\*) Term: **14 Years**

(21) Appl. No.: **29/147,632**

(22) Filed: **Sep. 4, 2001**

(51) **LOC (7) Cl.** ..... **15-01**

(52) **U.S. Cl.** ..... **D15/5; D15/1**

(58) **Field of Search** ..... D15/1-5, 149;  
74/606 R; 123/198 E, 50 A, 306, 308, 661,  
667, 432

(56) **References Cited**

**U.S. PATENT DOCUMENTS**

- D283,234 S \* 4/1986 Parkhurst et al. .... D15/1
- D371,138 S \* 6/1996 Waskiewicz ..... D15/5
- D376,154 S \* 12/1996 Thirumalaisamy et al. .... D15/5

- D408,829 S \* 4/1999 Jones ..... D15/5
- D417,675 S \* 12/1999 Yaguchi et al. .... D15/1
- D447,489 S \* 9/2001 Antony et al. .... D15/5
- D450,326 S \* 11/2001 Mundell ..... D15/5

\* cited by examiner

*Primary Examiner*—Melody N. Brown

(74) *Attorney, Agent, or Firm*—Boyle Fredrickson  
Newholm Stein & Gratz S.C.

(57) **CLAIM**

The ornamental design of an engine cover, as shown and described.

**DESCRIPTION**

FIG. 1 is a front elevational view of an engine cover in accordance with the present invention;  
 FIG. 2 is a top plan view of the engine cover of FIG. 1;  
 FIG. 3 is a bottom plan view of the engine cover of FIG. 1;  
 FIG. 4 is a side elevational view of a first side of the engine cover of FIG. 1;  
 FIG. 5 is a side elevational view of a second side of the engine cover of FIG. 1; and,  
 FIG. 6 is a rear elevational view of the engine cover of FIG. 1.

**1 Claim, 3 Drawing Sheets**

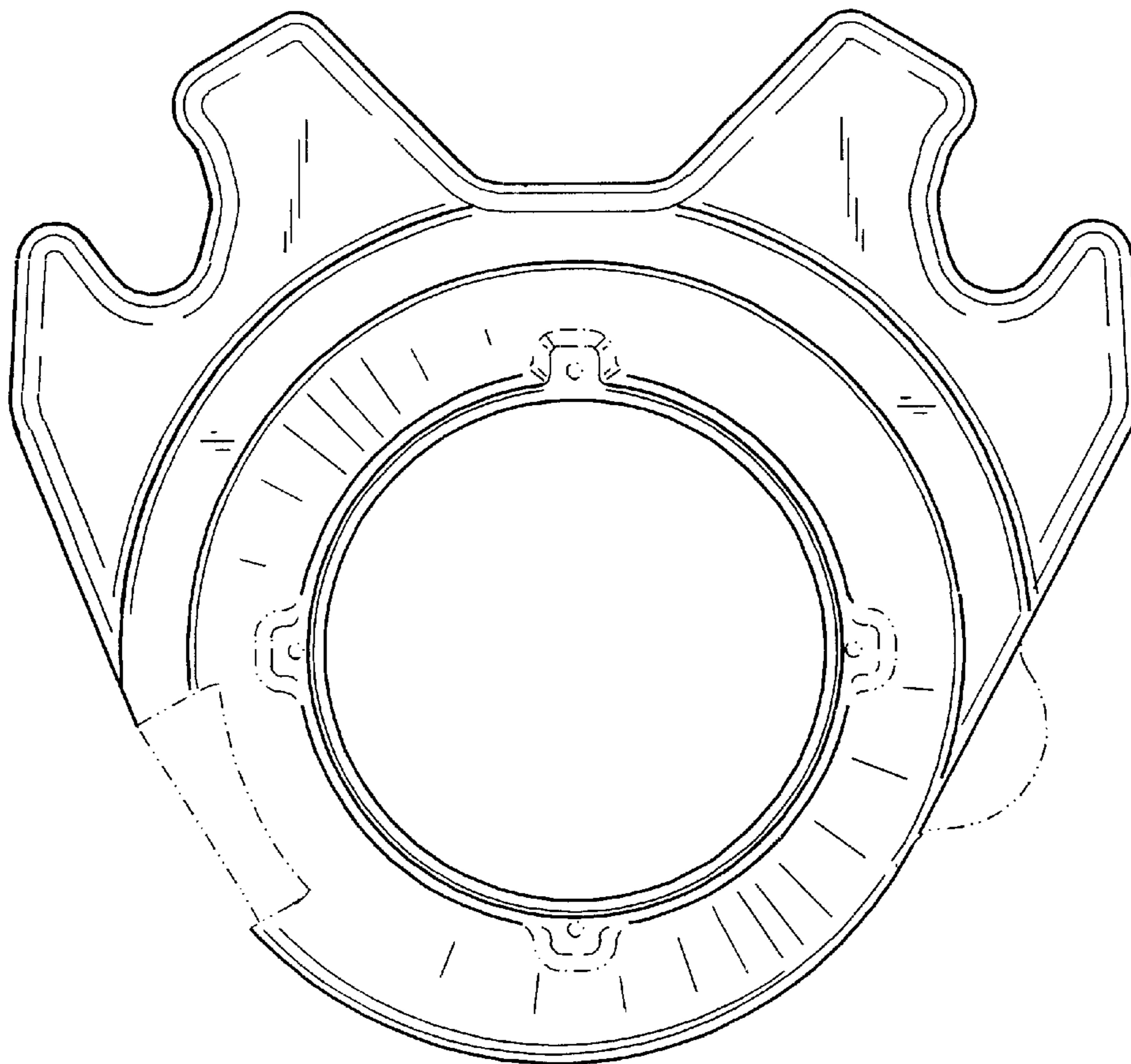


FIG. 1

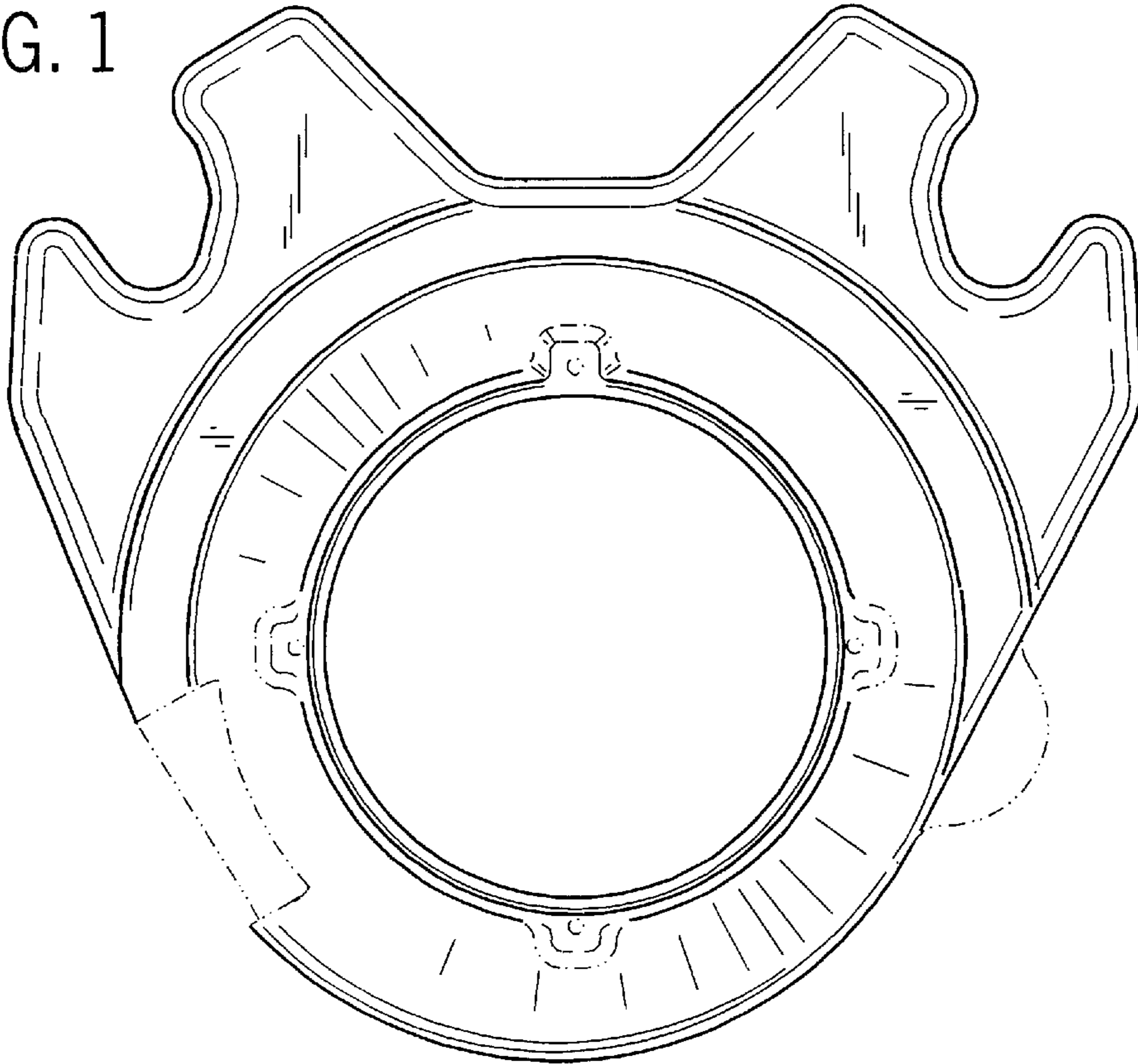


FIG. 2

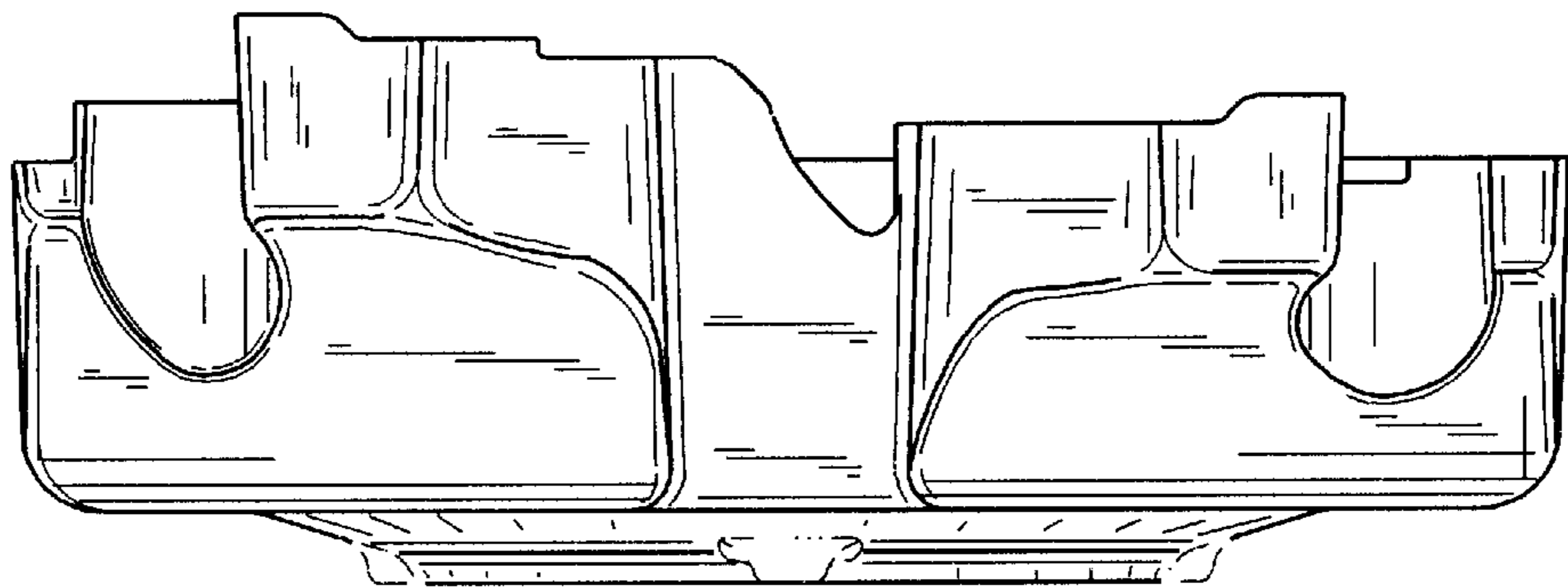


FIG. 3

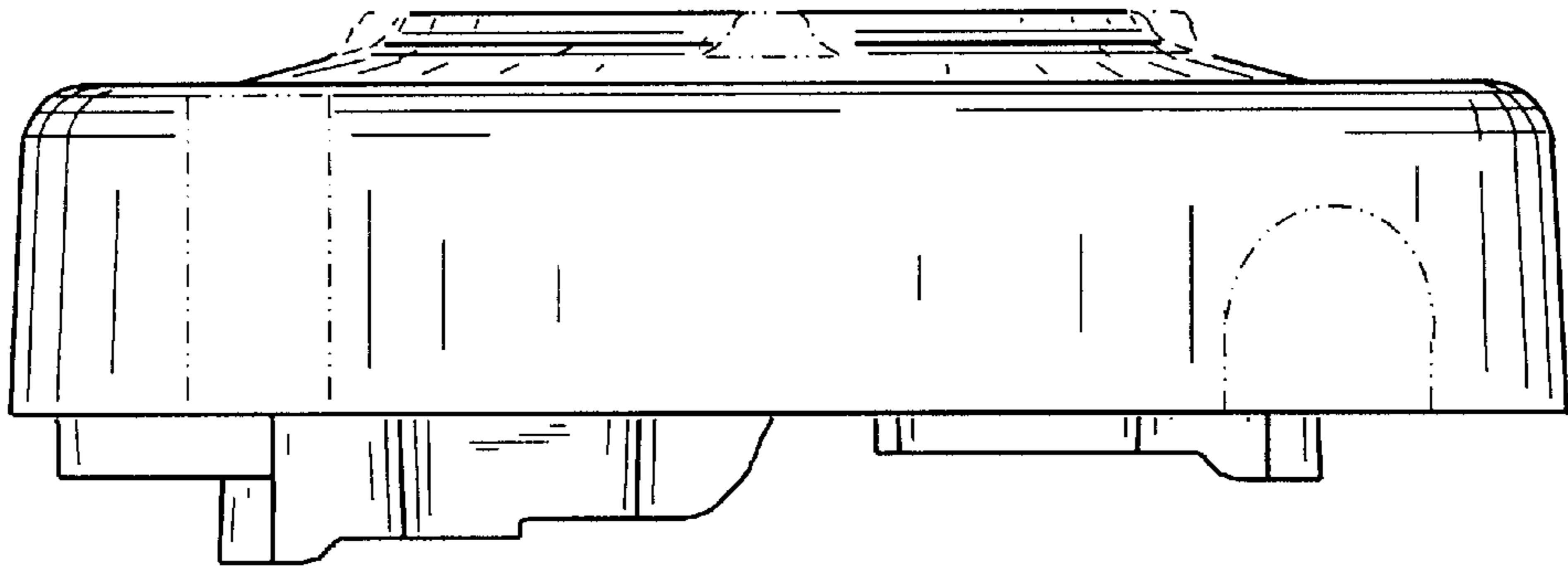


FIG. 4

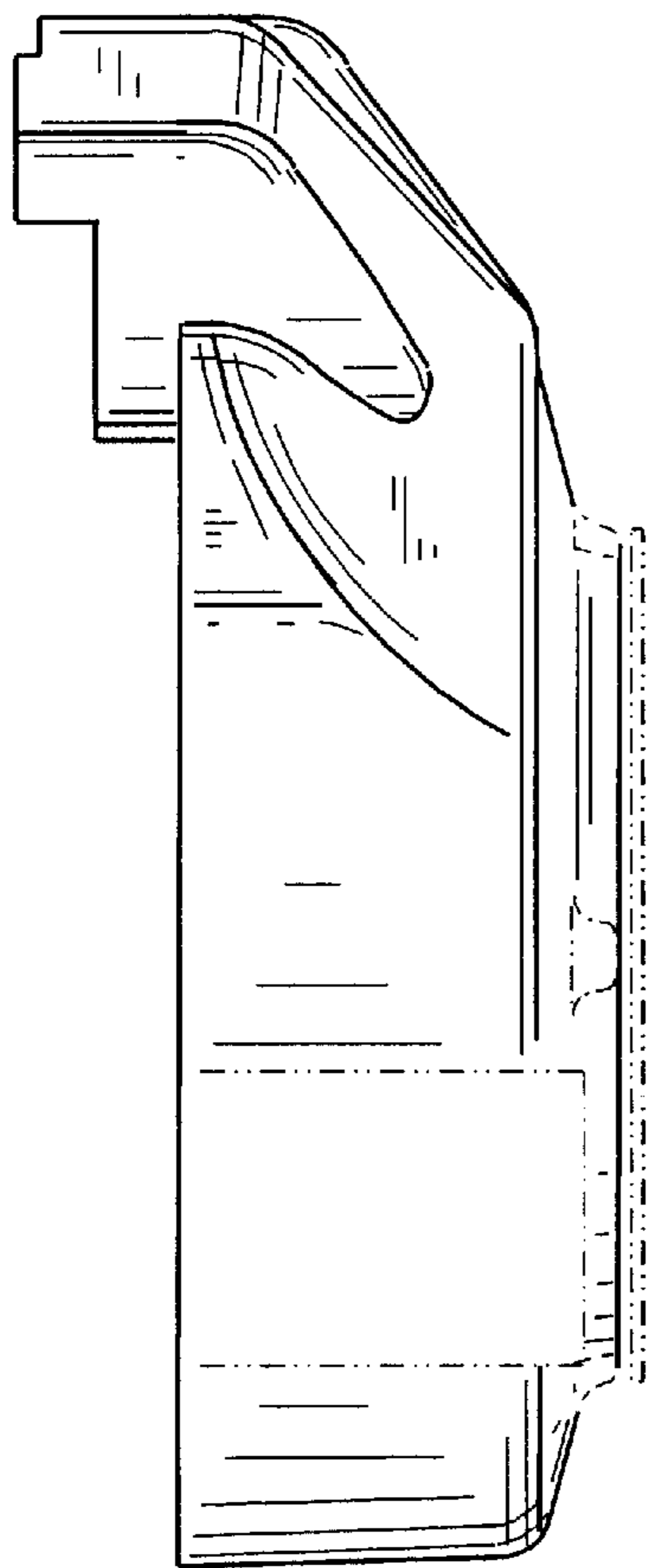


FIG. 5

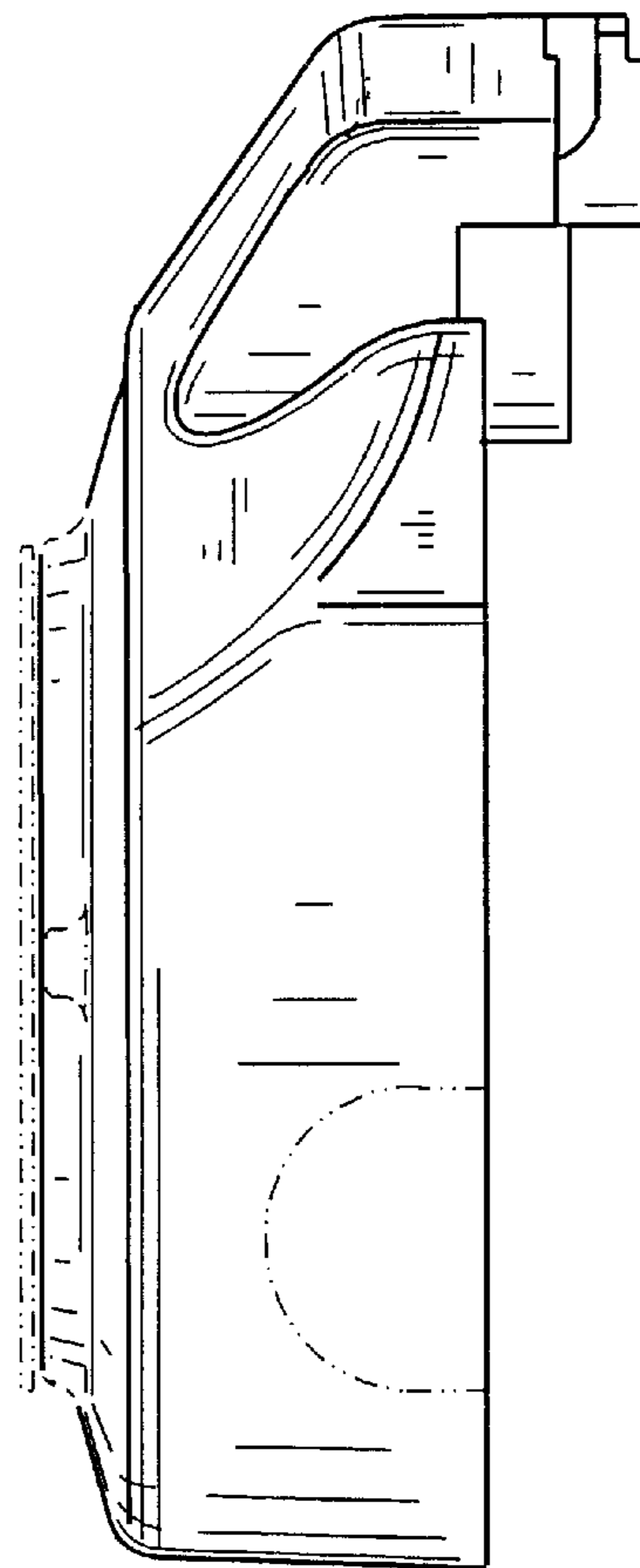


FIG. 6

