



US00D471203S

(12) **United States Design Patent**  
**Miyaoka**

(10) **Patent No.:** **US D471,203 S**

(45) **Date of Patent:** **\*\* Mar. 4, 2003**

(54) **PHOTOGRAPHIC PROCESSOR FOR  
FACSIMILE MACHINE**

(75) Inventor: **Matsuhiko Miyaoka, Shiga (JP)**

(73) Assignee: **Murata Kikai Kabushiki Kaisha,  
Kyoto (JP)**

(\*\*) Term: **14 Years**

(21) Appl. No.: **29/153,482**

(22) Filed: **Jan. 4, 2002**

(30) **Foreign Application Priority Data**

Aug. 13, 2001 (JP) ..... 2001-023975

(51) **LOC (7) Cl.** ..... **16-03**

(52) **U.S. Cl.** ..... **D14/471**

(58) **Field of Search** ..... D14/462-471;  
358/505-514, 400, 401, 448, 452, 302

(56) **References Cited**

**U.S. PATENT DOCUMENTS**

2,548,783 A \* 4/1951 Goldsmith ..... 358/514

5,032,911 A \* 7/1991 Takimoto ..... 358/501

5,173,783 A \* 12/1992 Oku et al. .... 358/302

D344,937 S \* 3/1994 Takahashi ..... D14/471

5,335,007 A \* 8/1994 Choi ..... 358/302

5,970,215 A \* 10/1999 Stephenson ..... 358/302

\* cited by examiner

*Primary Examiner*—Prabhakar Deshmukh

(74) *Attorney, Agent, or Firm*—Hogan & Hartson, LLP

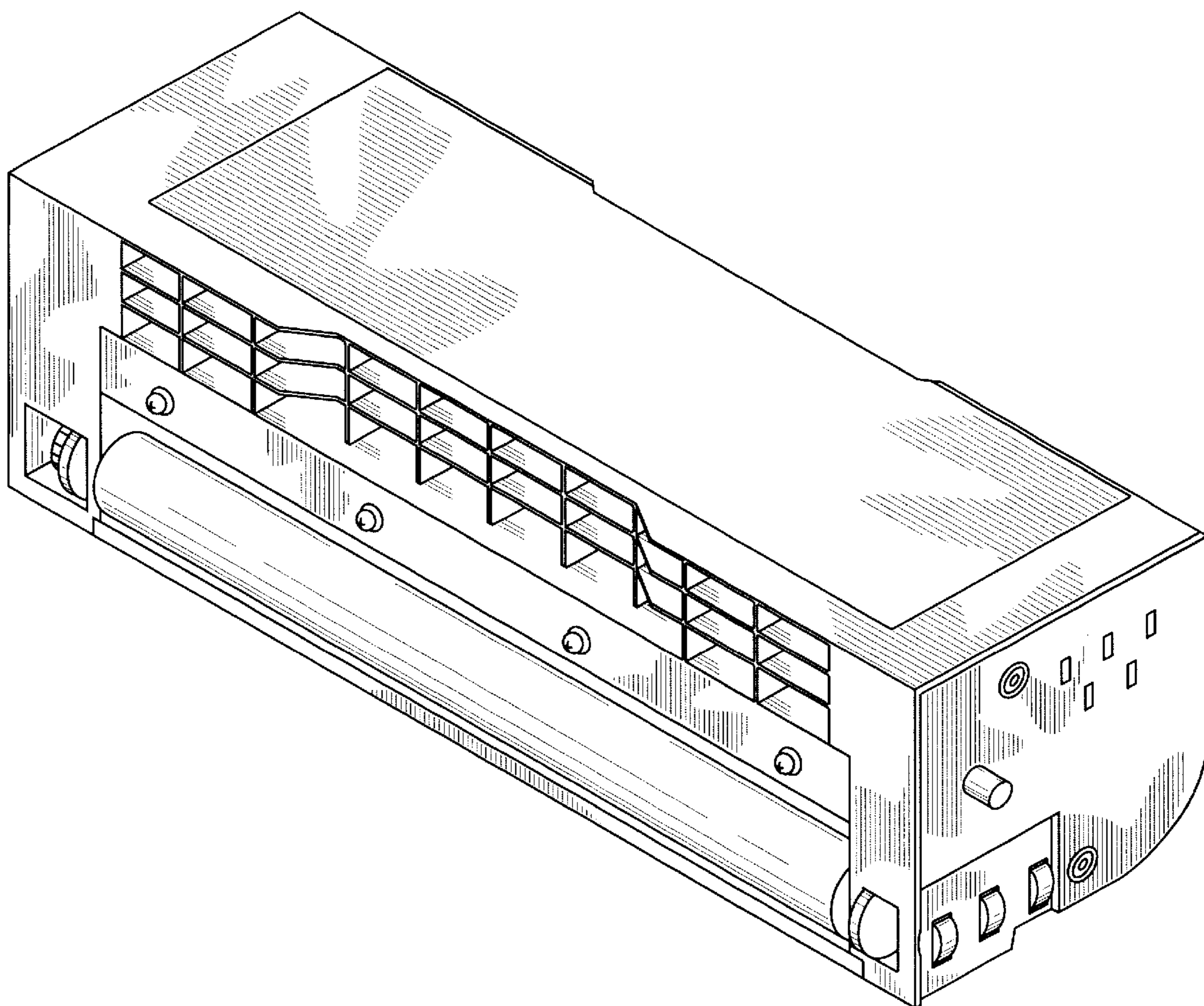
(57) **CLAIM**

The ornamental design for a photographic processor for facsimile machine, as shown.

**DESCRIPTION**

FIG. 1 is a front view of a photographic for facsimile machine, showing my new design;  
FIG. 2 is a rear view thereof;  
FIG. 3 is a plan view thereof;  
FIG. 4 is a right side view thereof;  
FIG. 5 is a left side view thereof;  
FIG. 6 is a Bottom view; and,  
FIG. 7 is a perspective view.

**1 Claim, 6 Drawing Sheets**



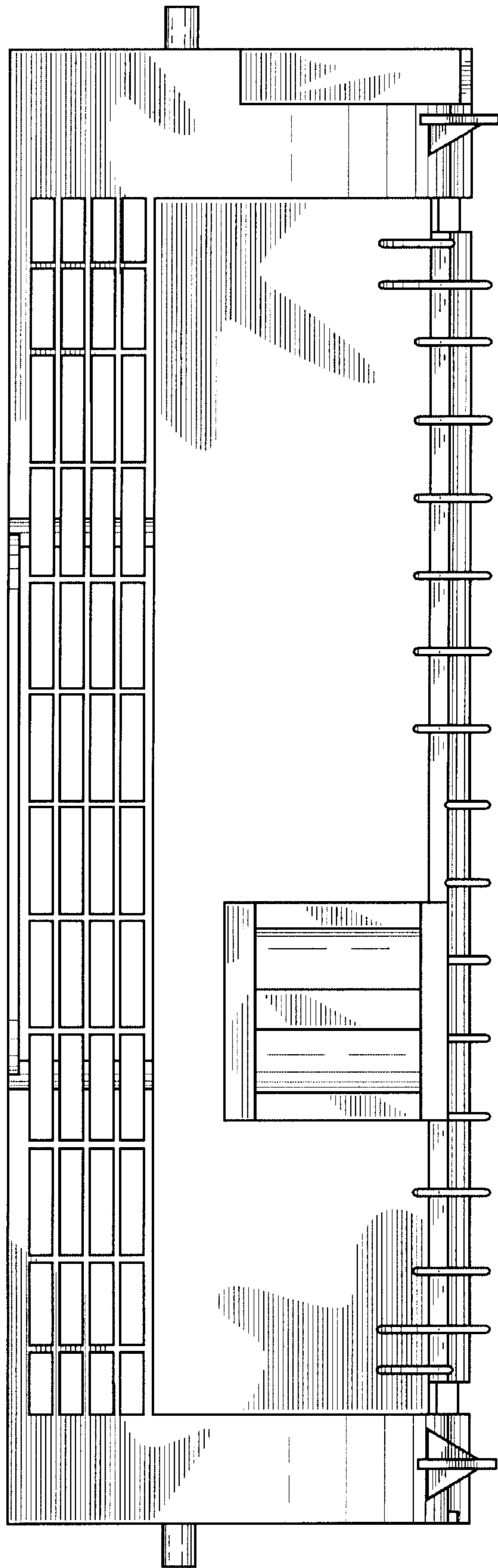


FIG. 1

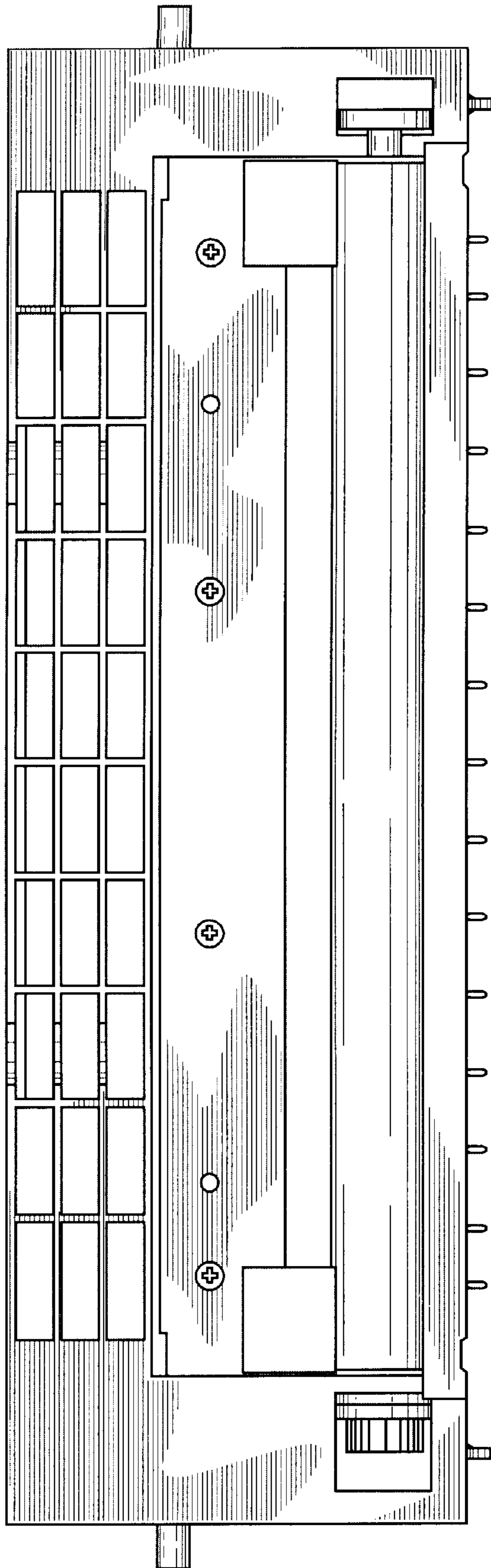


FIG. 2

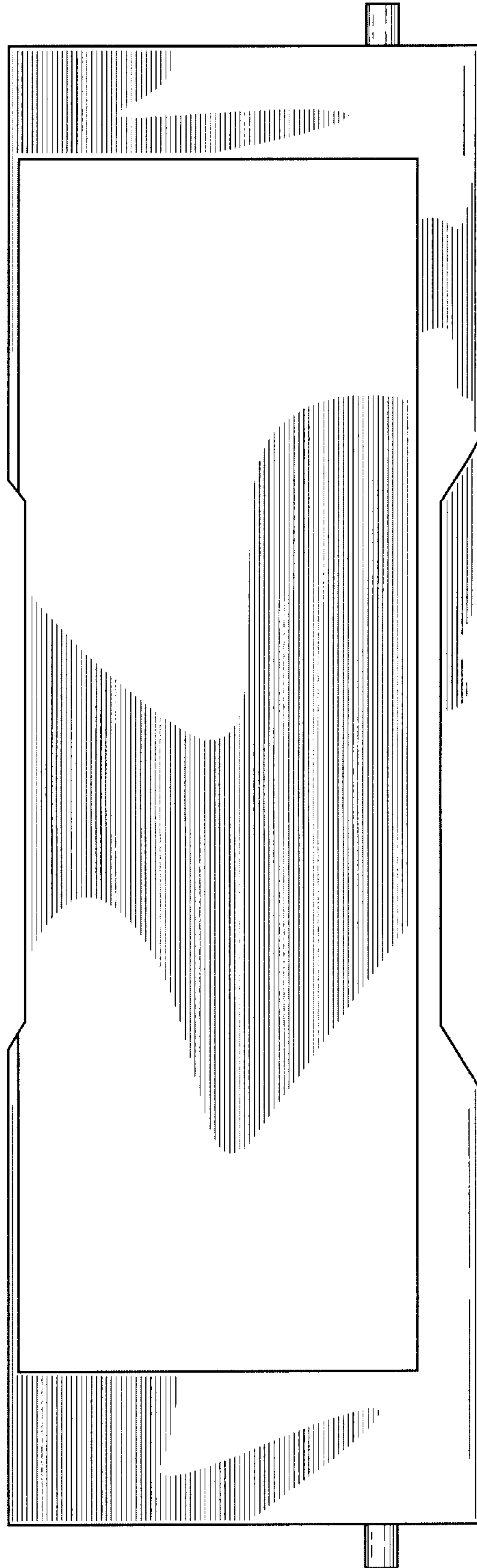


FIG. 3

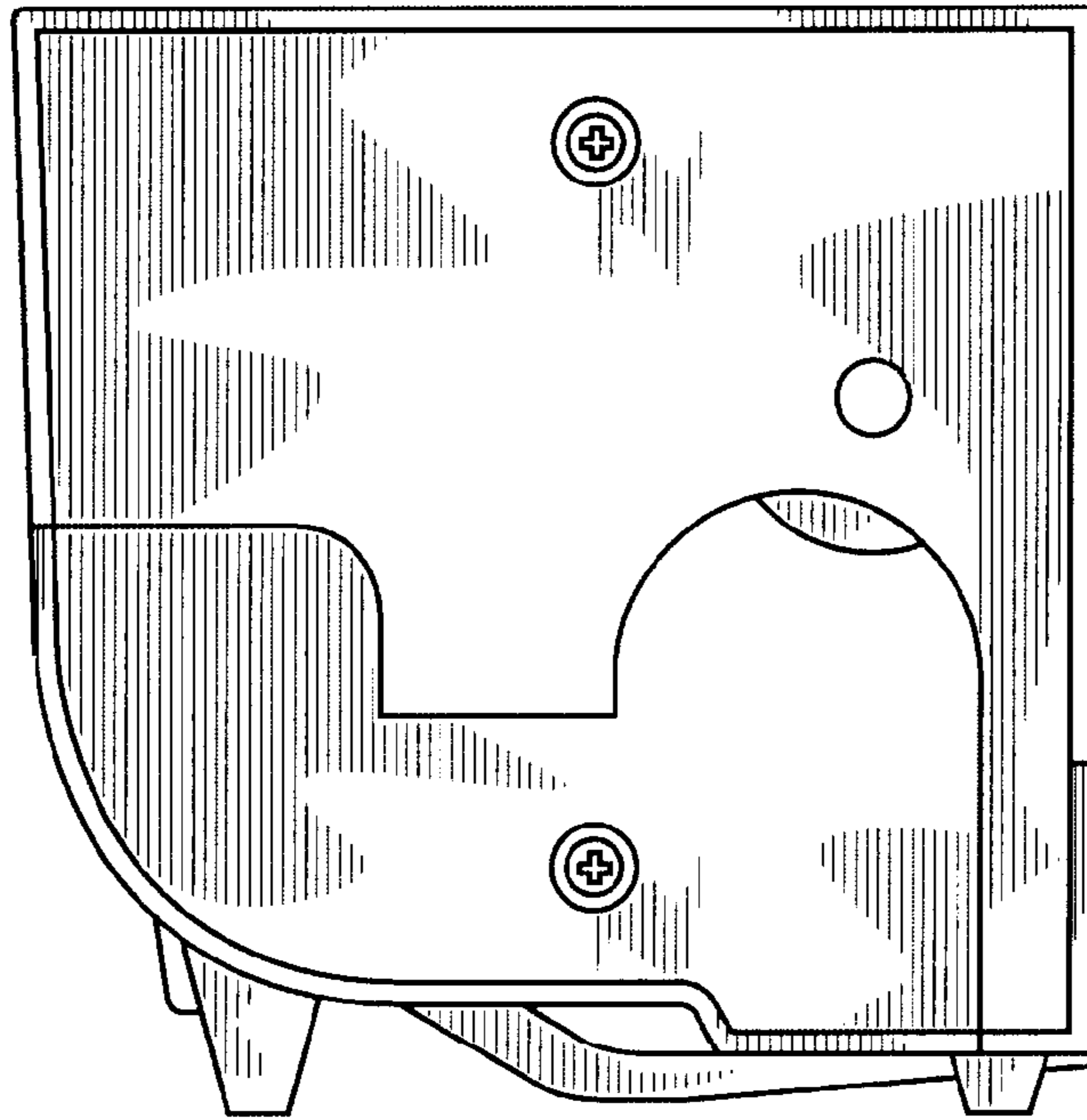


FIG. 4

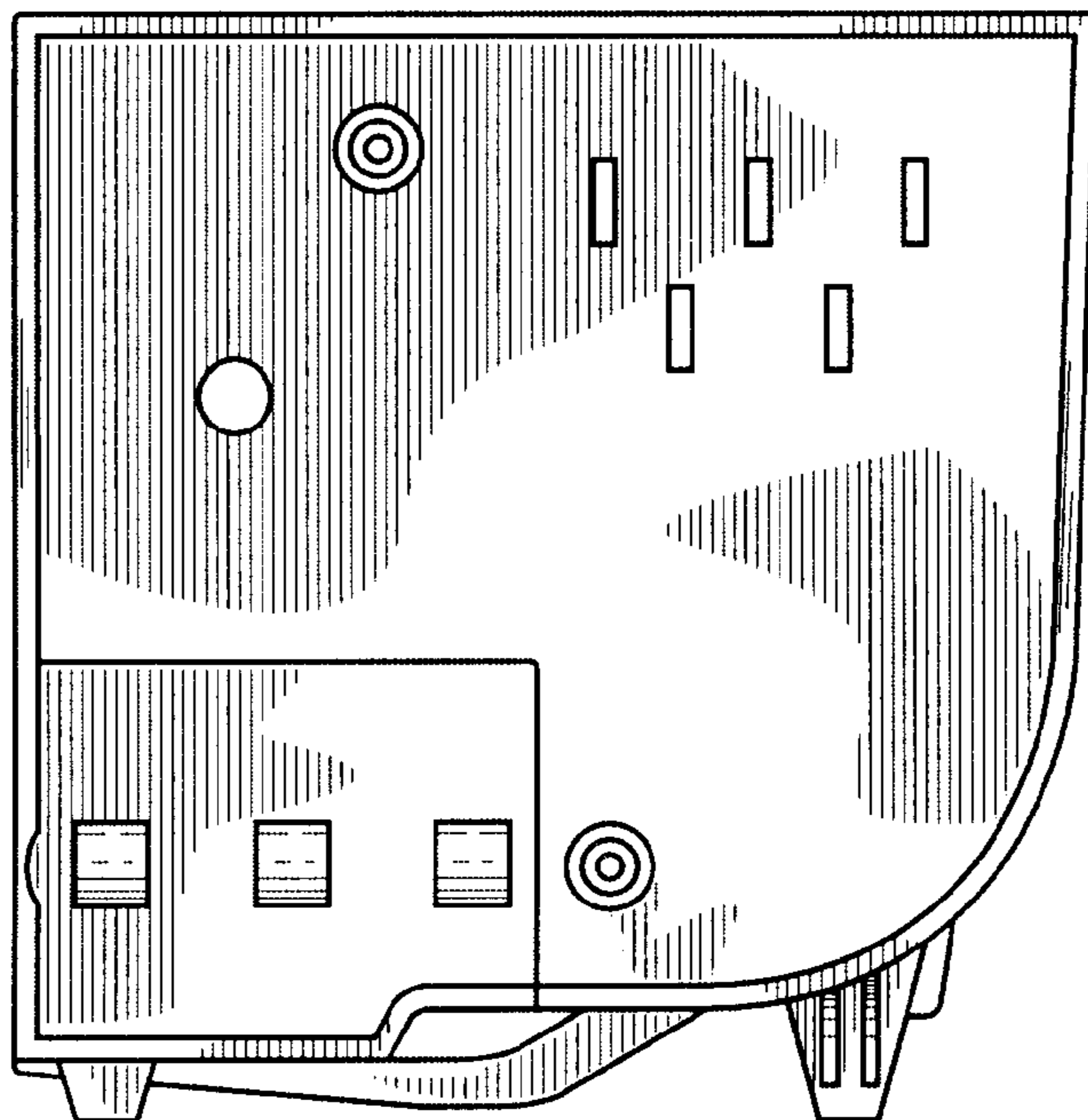


FIG. 5

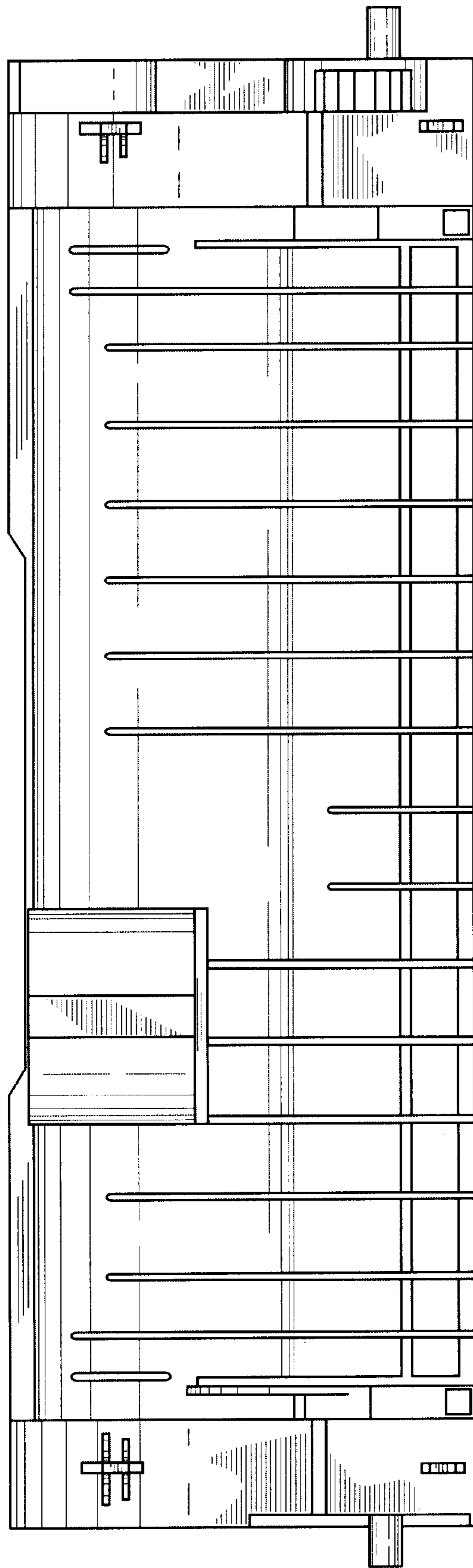


FIG. 6

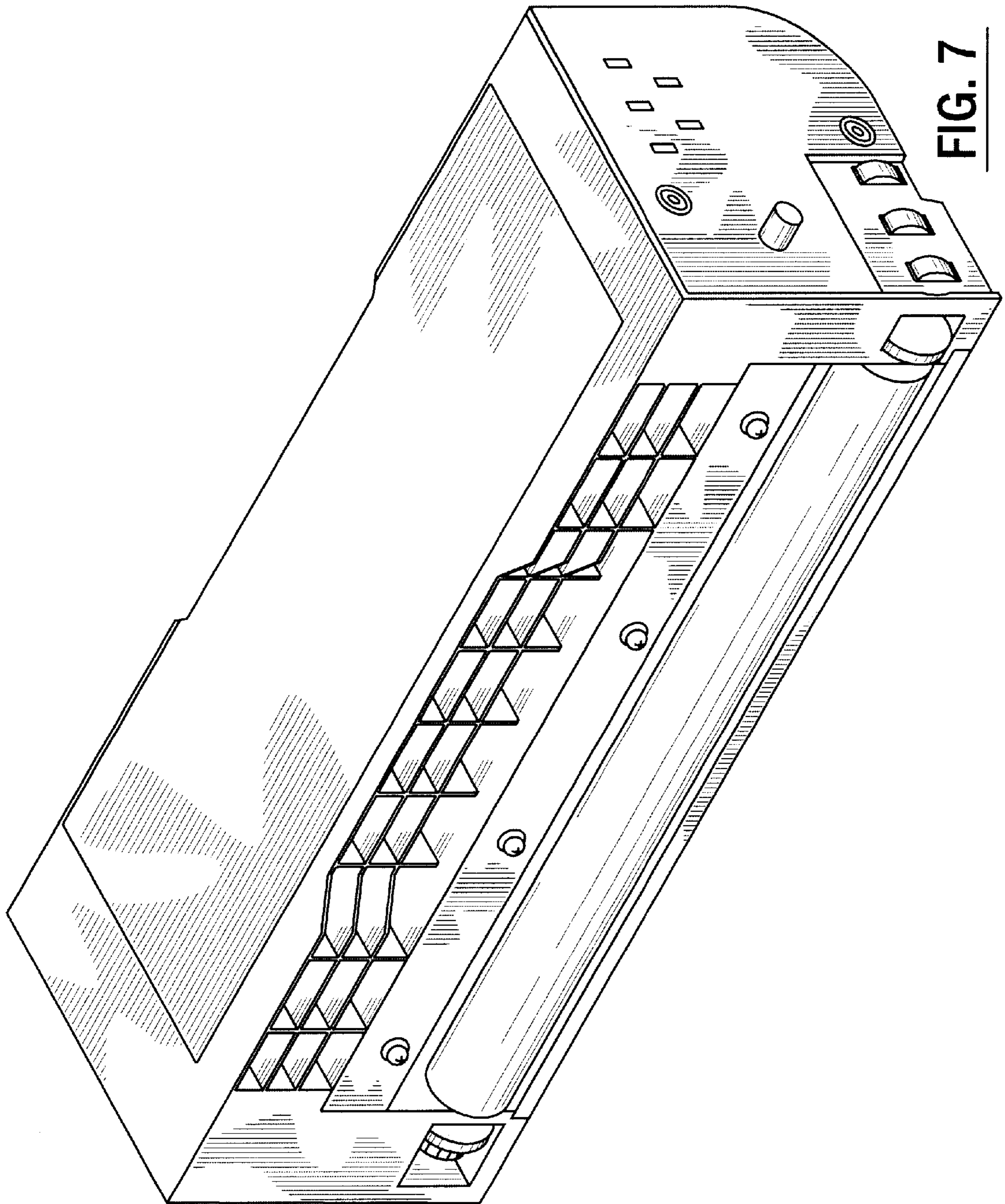


FIG. 7