



US00D471200S

(12) **United States Design Patent**
Bell

(10) **Patent No.:** **US D471,200 S**

(45) **Date of Patent:** **** Mar. 4, 2003**

(54) **COMPUTER DISPLAY ACCESSORY**

(75) Inventor: **Jonathan Bell**, Providence, RI (US)

(73) Assignee: **Innov8, Incorporated**, Pawtucket, RI (US)

(**) Term: **14 Years**

(21) Appl. No.: **29/159,450**

(22) Filed: **Apr. 22, 2002**

Related U.S. Application Data

(62) Division of application No. 29/119,007, filed on Feb. 22, 2000, now Pat. No. Des. 447,750.

(51) **LOC (7) Cl.** **14-02**

(52) **U.S. Cl.** **D14/448**

(58) **Field of Search** D14/432, 439,
D14/448, 455; D19/86, 88, 90, 91, 26,
27; 248/442.2, 441.1, 317, 917-24; 359/601-10,
614

(56) **References Cited**

U.S. PATENT DOCUMENTS

- D291,997 S * 9/1987 Duffin, II
- 4,693,443 A 9/1987 Drain
- 4,902,078 A 2/1990 Judd
- 4,934,648 A 6/1990 Yueh
- 4,960,257 A 10/1990 Waters
- D316,275 S 4/1991 Davis et al.
- D318,297 S 7/1991 Chu
- 5,044,593 A 9/1991 Jones
- 5,067,681 A 11/1991 Huang et al.
- 5,078,358 A 1/1992 Egly et al.
- D327,502 S 6/1992 Maloney

- 5,125,612 A 6/1992 McNeal
- 5,271,593 A 12/1993 Kinner et al.
- D351,419 S 10/1994 Goekler
- 5,383,642 A * 1/1995 Strassberg
- D357,008 S * 4/1995 Pohlman
- 5,620,162 A 4/1997 Beckwith et al.
- 5,687,945 A 11/1997 Lee
- 5,901,937 A 5/1999 Compeau et al.
- D412,893 S * 8/1999 Newman
- D436,593 S * 1/2001 Narotzky

* cited by examiner

Primary Examiner—M. H. Tung

(74) *Attorney, Agent, or Firm*—Salter & Michaelson

(57) **CLAIM**

The ornamental design for a computer display accessory, as shown and described.

DESCRIPTION

FIG. 1 is a perspective view of a computer display accessory showing my new design, on a reduced scale, the broken line drawing of a computer is shown for illustrative purposes only and forms no part of the claimed design;

FIG. 2 is a perspective view thereof;

FIG. 3 is a front elevational view thereof;

FIG. 4 is a rear elevational view thereof;

FIG. 5 is a top plan view thereof;

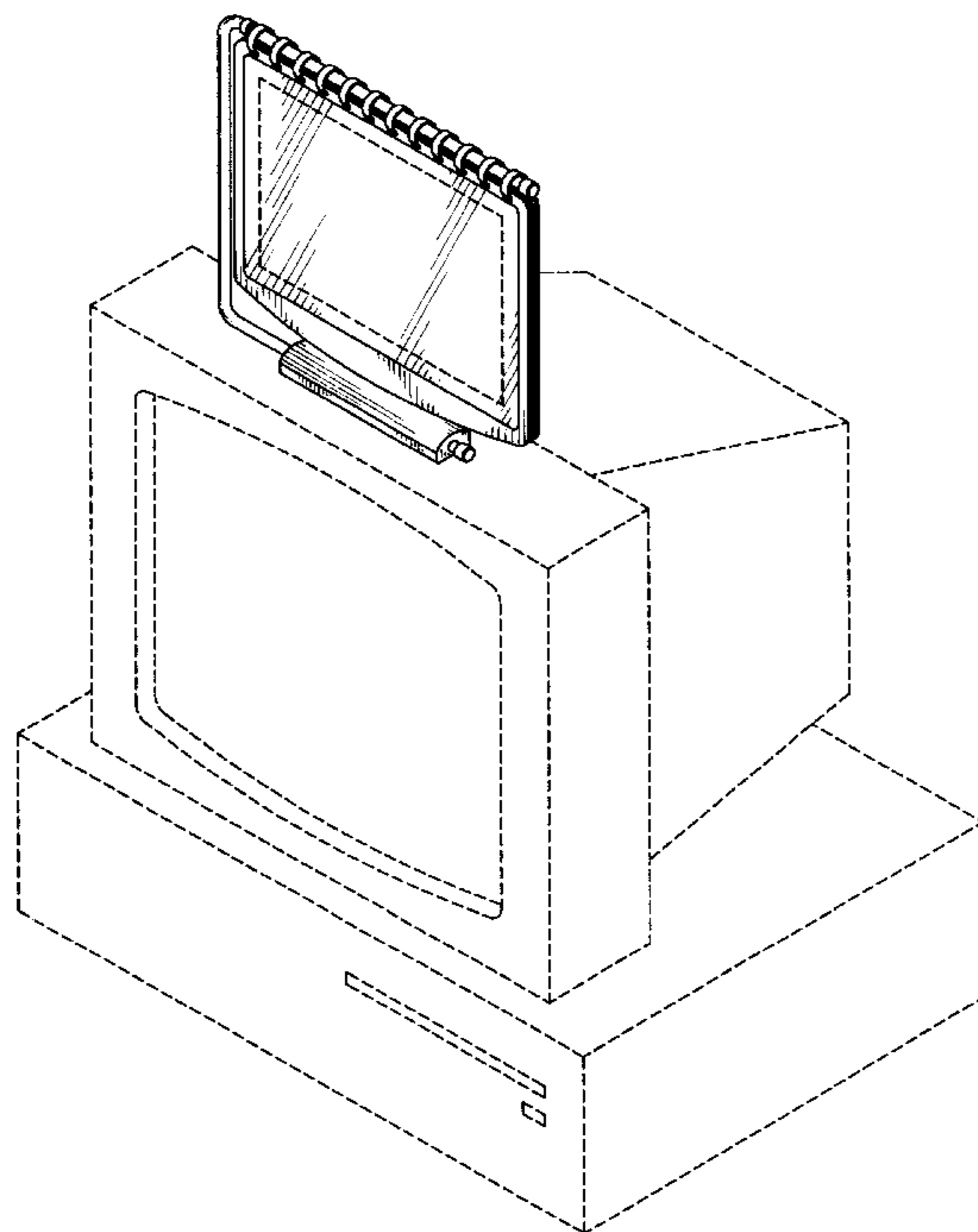
FIG. 6 is a bottom plan view thereof;

FIG. 7 is a right end view thereof; and,

FIG. 8 is a left end view thereof.

The broken line feature in the accessory shown in FIGS. 1, 2, 3 and 4, the front and rear views, is for illustrative purposes only and forms no part of the claimed design.

1 Claim, 5 Drawing Sheets



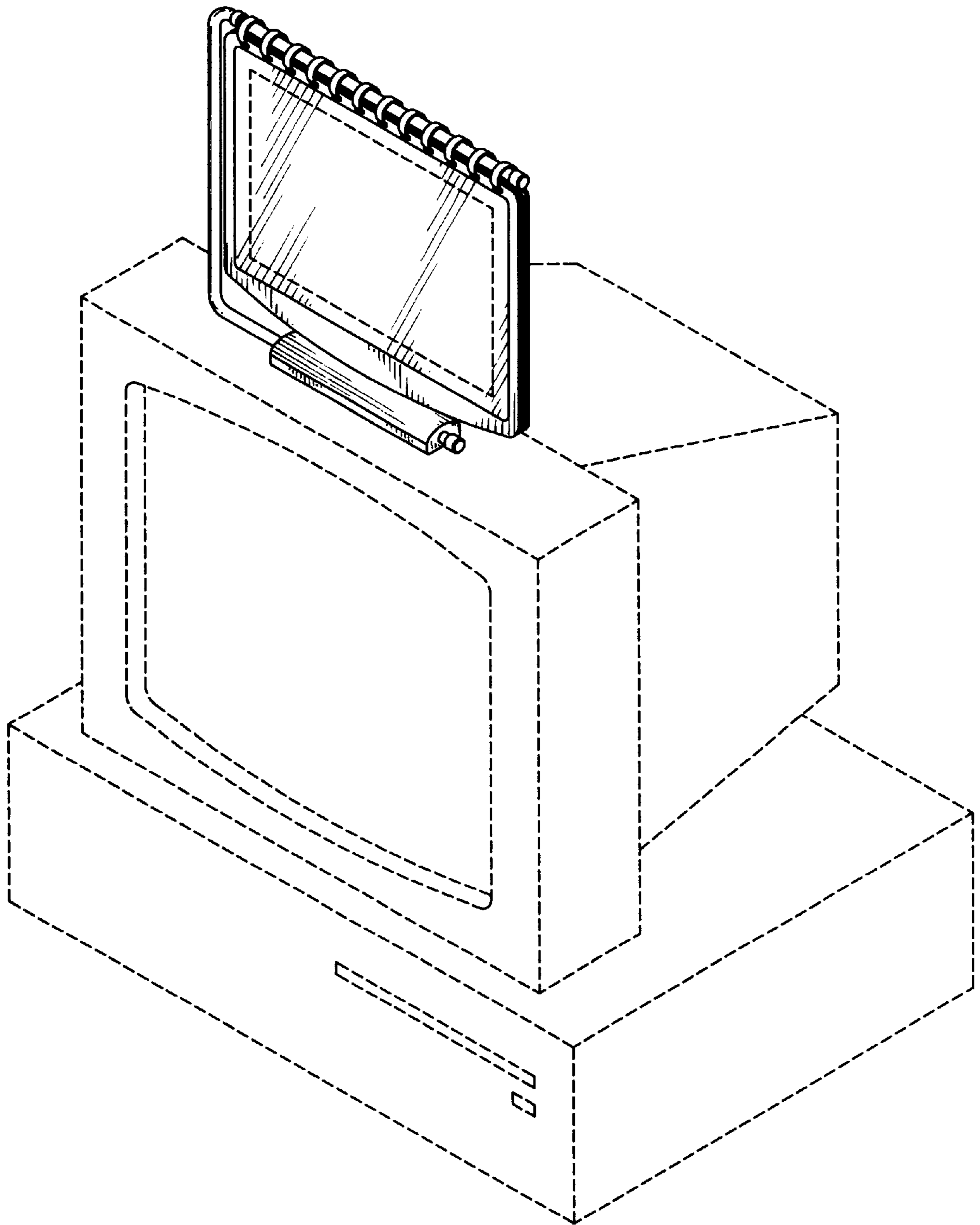


FIG. 1

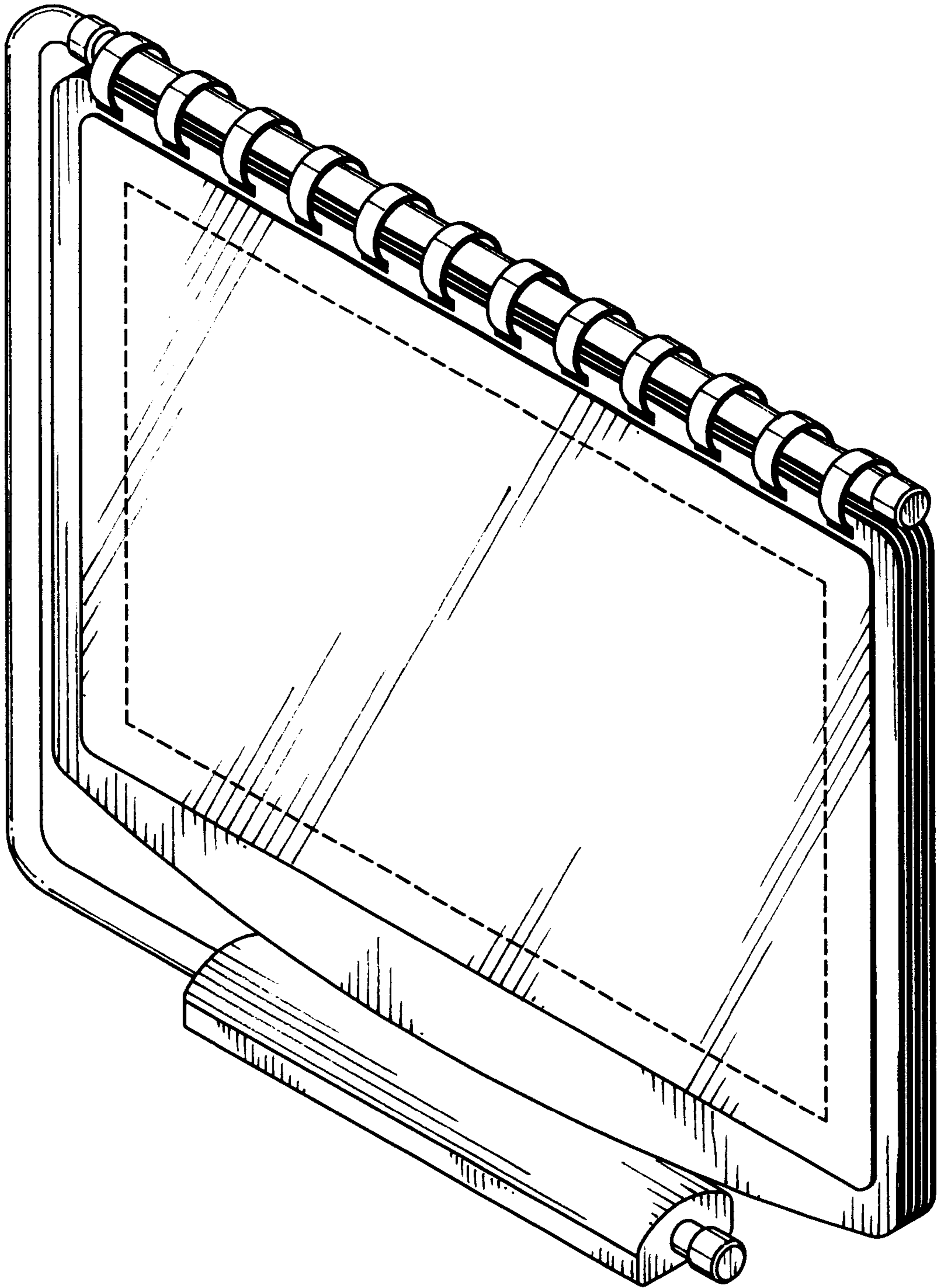


FIG. 2

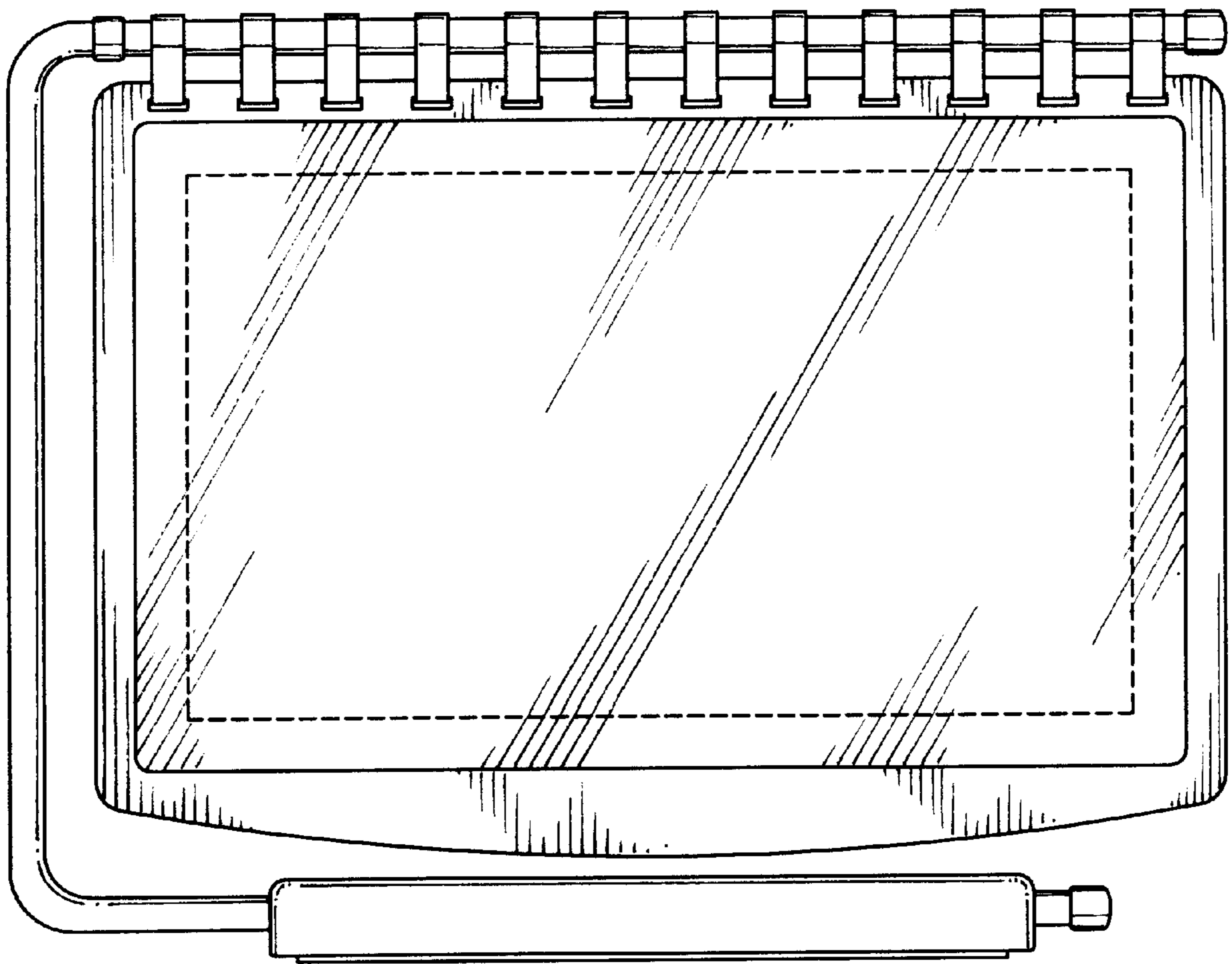


FIG. 3

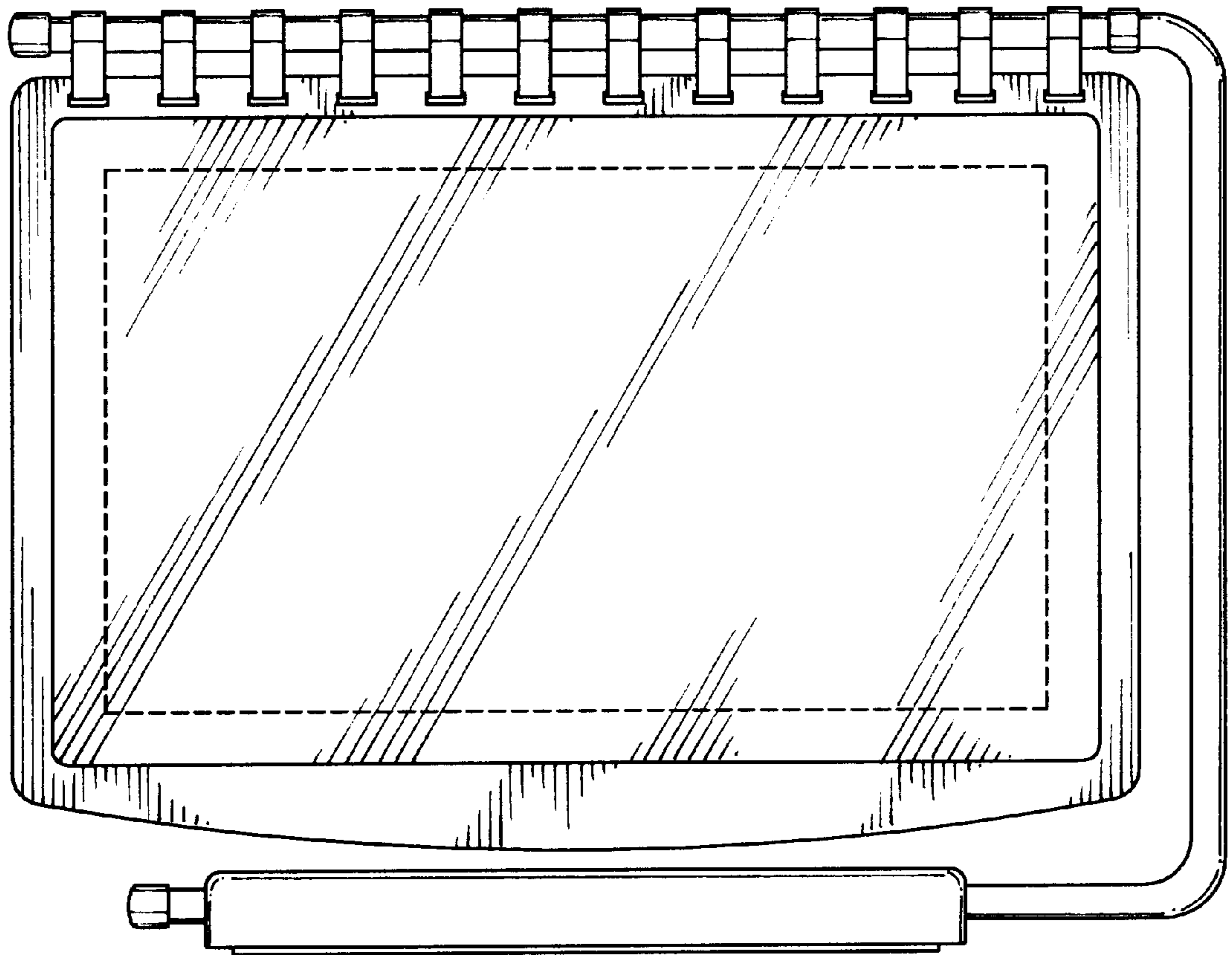


FIG. 4

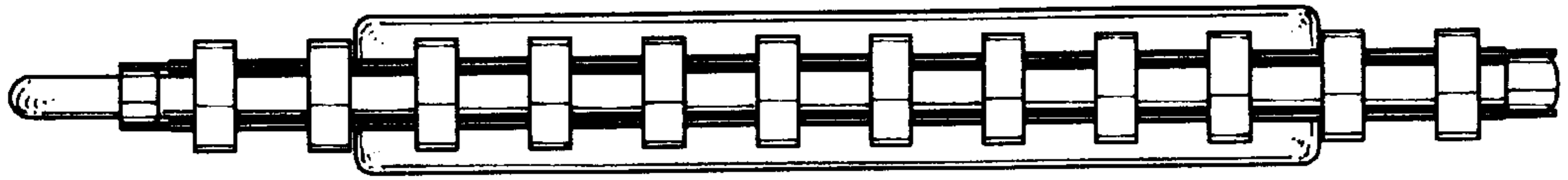


FIG. 5



FIG. 6

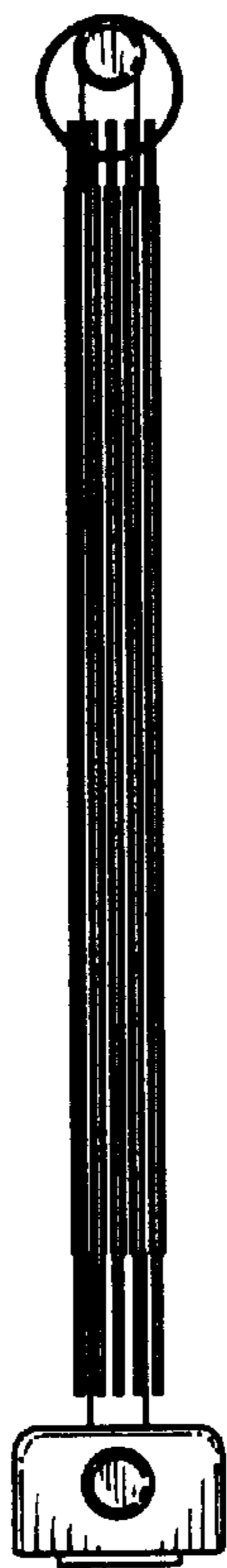


FIG. 7

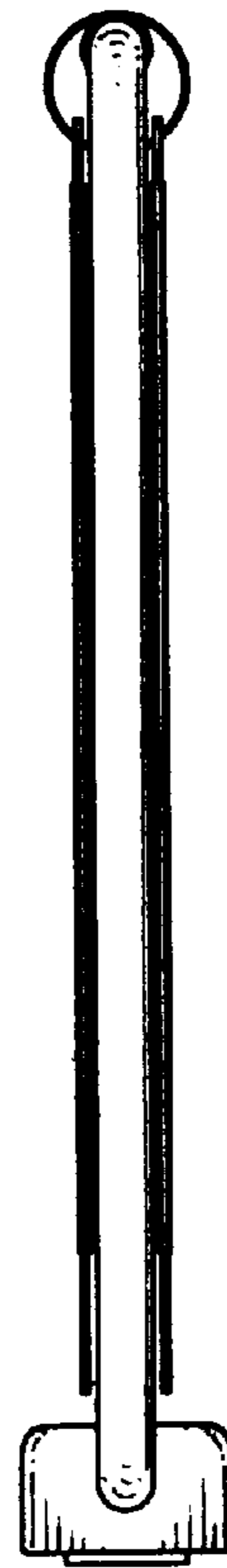


FIG. 8