



US00D471194S

(12) **United States Design Patent**
Huang

(10) **Patent No.:** **US D471,194 S**

(45) **Date of Patent:** **** Mar. 4, 2003**

(54) **LCD MONITOR**

(75) Inventor: **Ching-Hsian Huang**, Chung Ho (TW)

(73) Assignee: **Amtran Technology Co., Ltd.**, Chung Ho (TW)

(**) Term: **14 Years**

(21) Appl. No.: **29/155,913**

(22) Filed: **Feb. 19, 2002**

(51) **LOC (7) Cl.** **14-02**

(52) **U.S. Cl.** **D14/375**

(58) **Field of Search** D14/374, 375,
D14/371, 376, 125-129; D20/10; 248/917-924;
345/104, 156, 168, 173, 87; 348/180, 184,
325, 739; 349/1, 2, 11, 62; 341/12

(56) **References Cited**

U.S. PATENT DOCUMENTS

D395,453 S	*	6/1998	Kawasaki et al.	D20/10
D417,659 S	*	12/1999	Takemasa	D14/374
D431,566 S	*	10/2000	Chuo et al.	D14/375
D432,102 S	*	10/2000	Arie	D14/126

* cited by examiner

Primary Examiner—Freda Nunn

(74) *Attorney, Agent, or Firm*—MacPherson Kwok Chen & Heid LLP

(57) **CLAIM**

The ornamental design for LCD monitor, as shown and described.

DESCRIPTION

FIG. 1 is a perspective view of LCD monitor showing my new design;

FIG. 2 is a front elevational view thereof;

FIG. 3 is a rear elevational view thereof;

FIG. 4 is a left side elevational view thereof;

FIG. 5 is a right side elevational view thereof;

FIG. 6 is a top plan view thereof;

FIG. 7 is a bottom plan view thereof; and,

FIG. 8 is a perspective view of another embodiment of my new design wherein the stand is shown in broken lines for illustrative purposes only and forms no part of the claimed design.

1 Claim, 7 Drawing Sheets

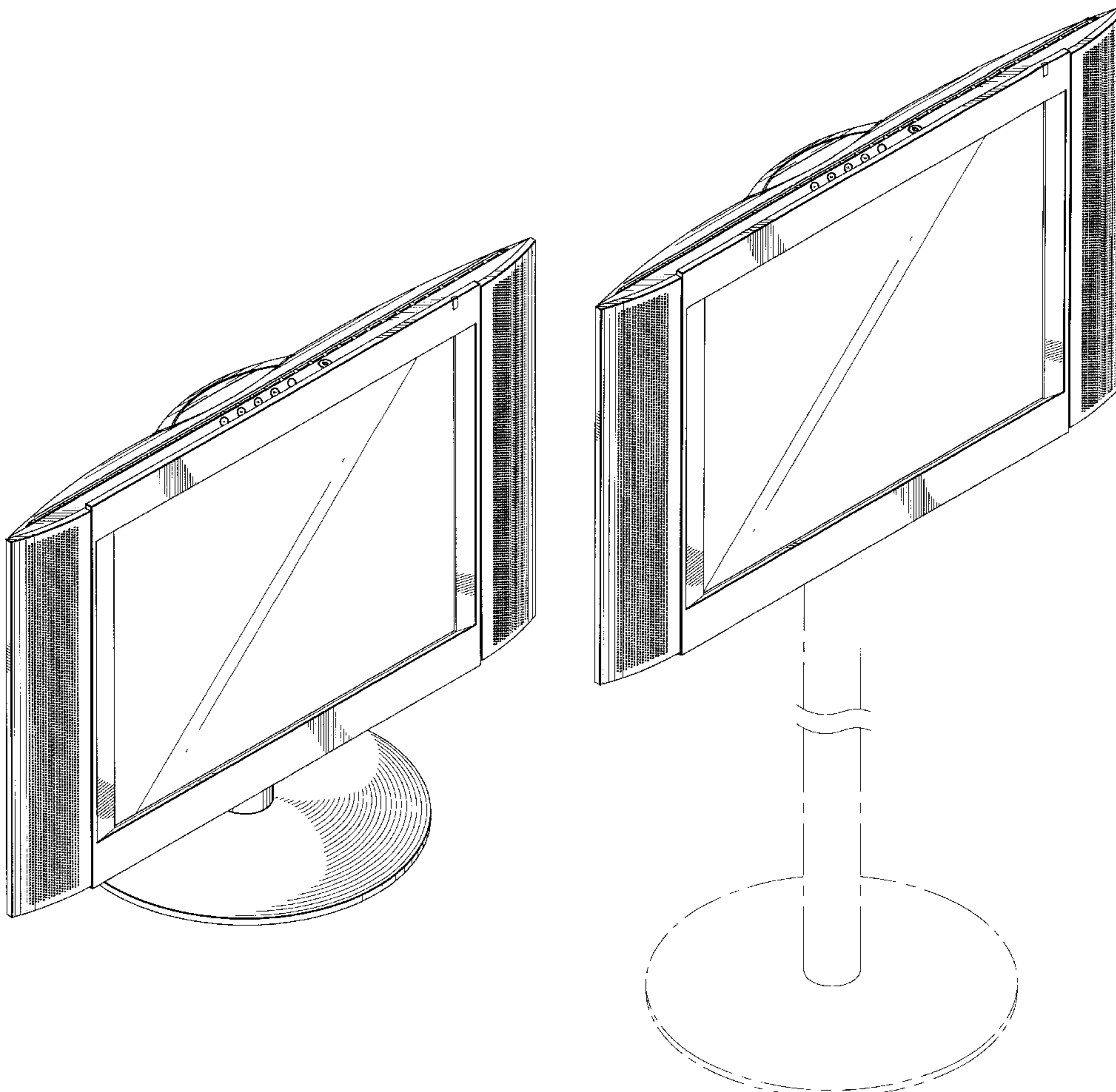
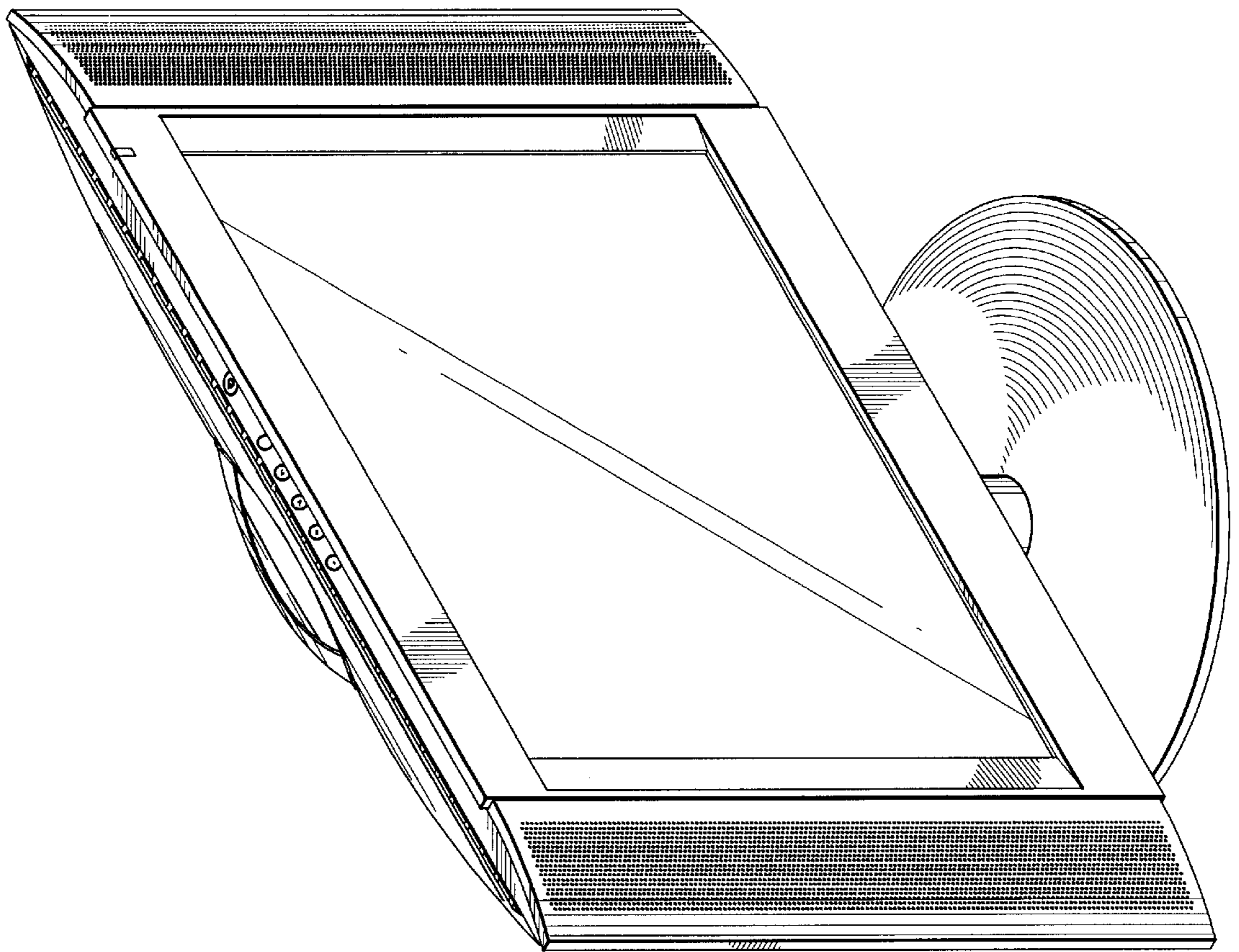


FIG. 1



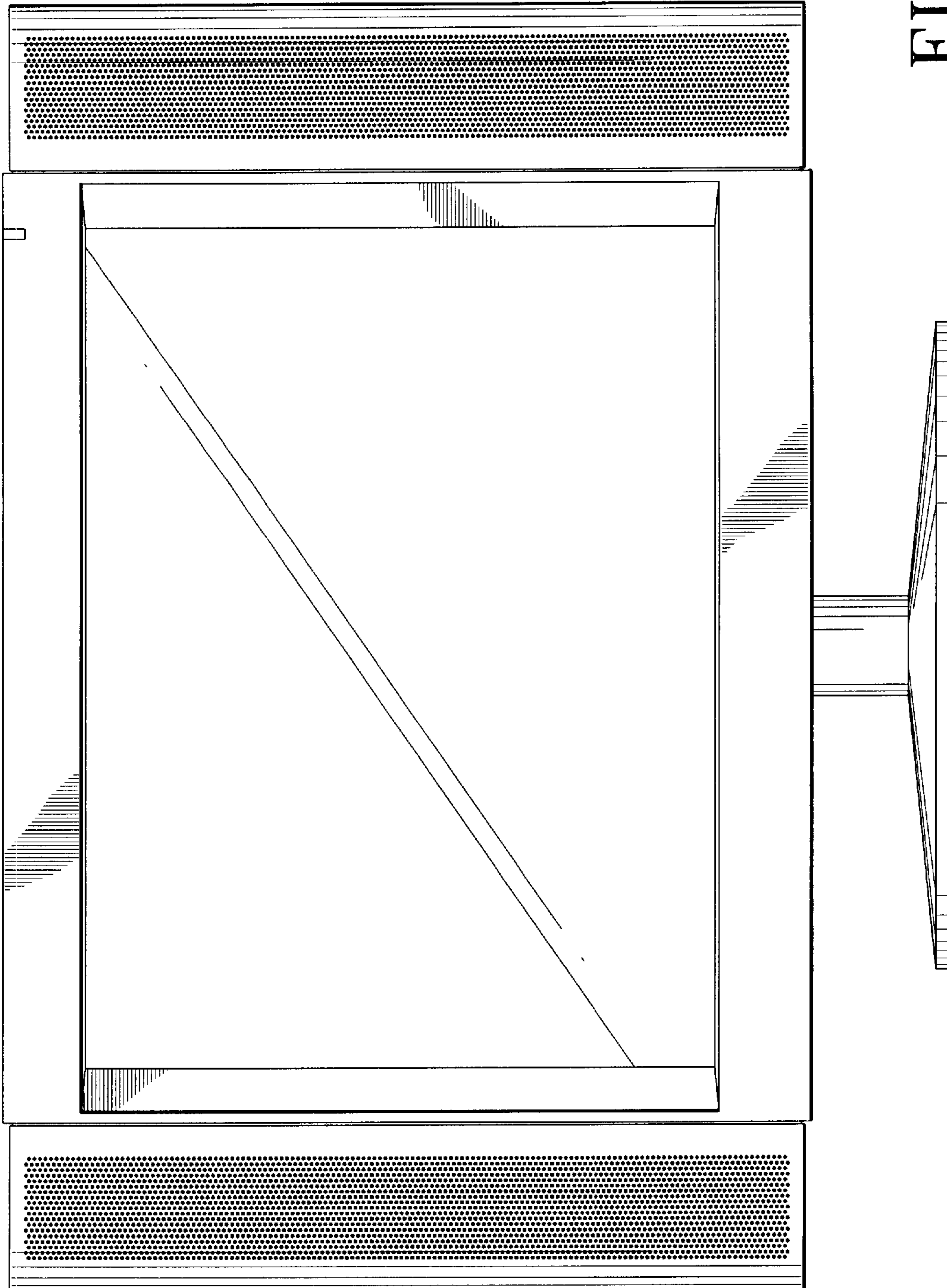


FIG. 2

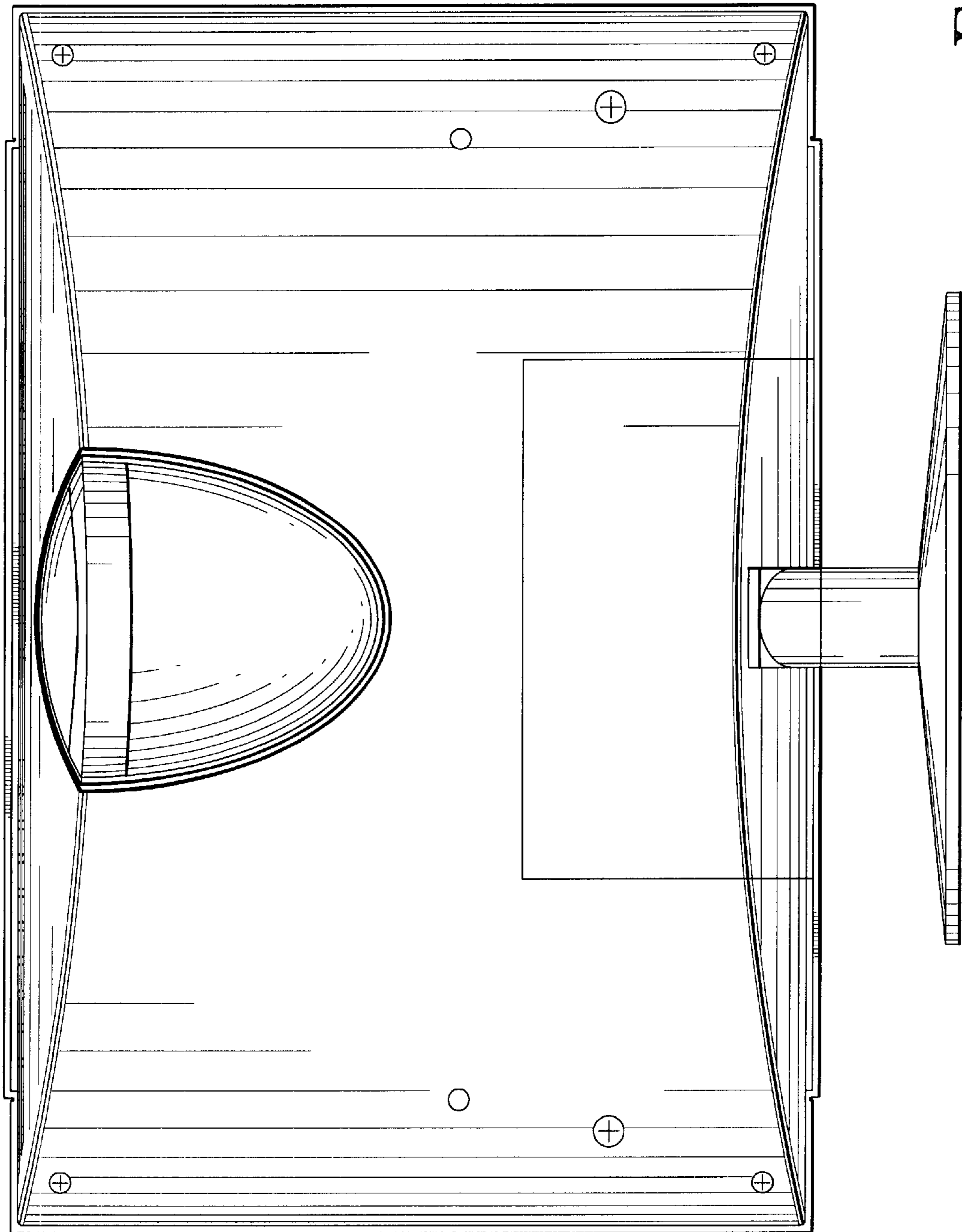


FIG. 3

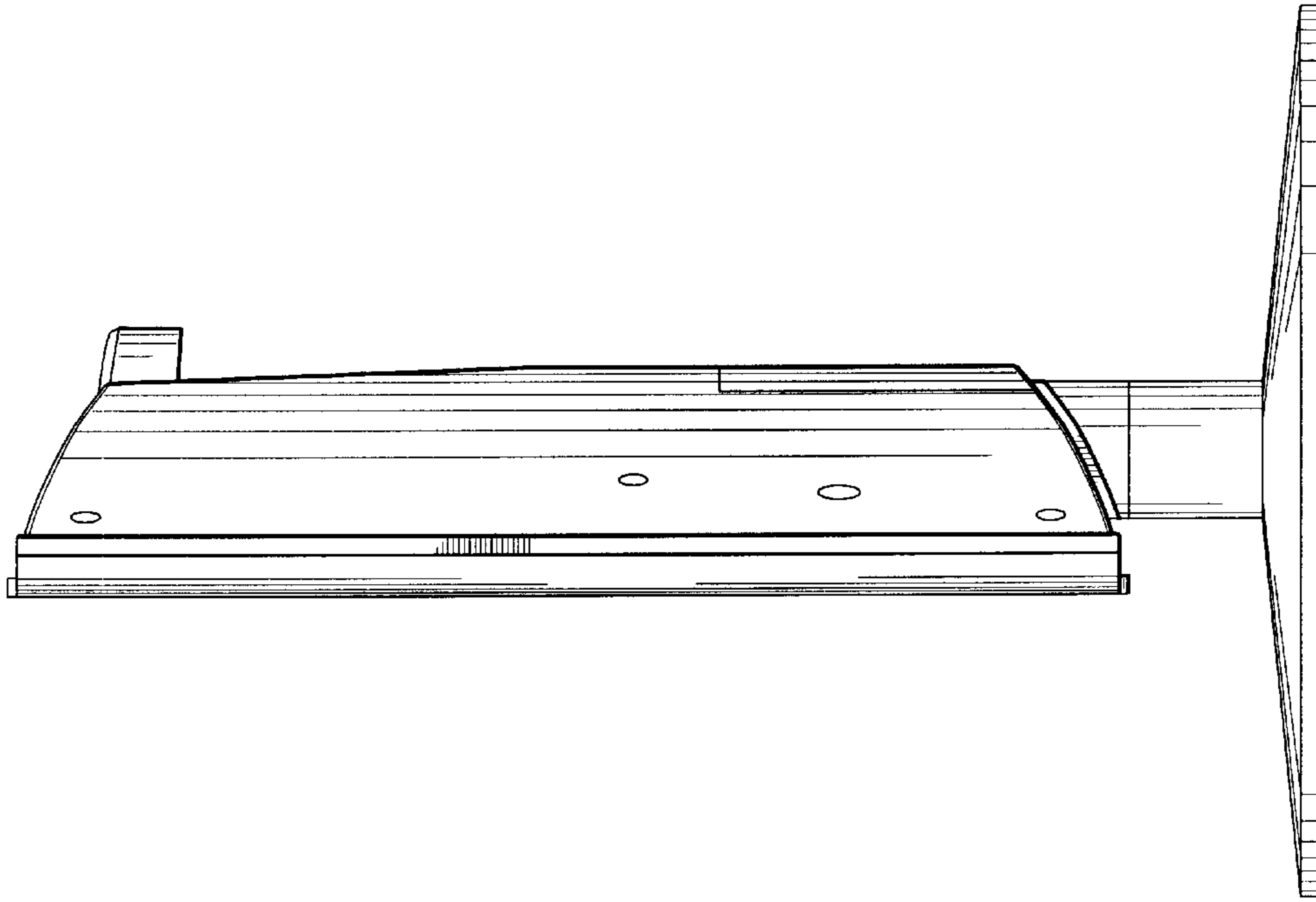


FIG. 5

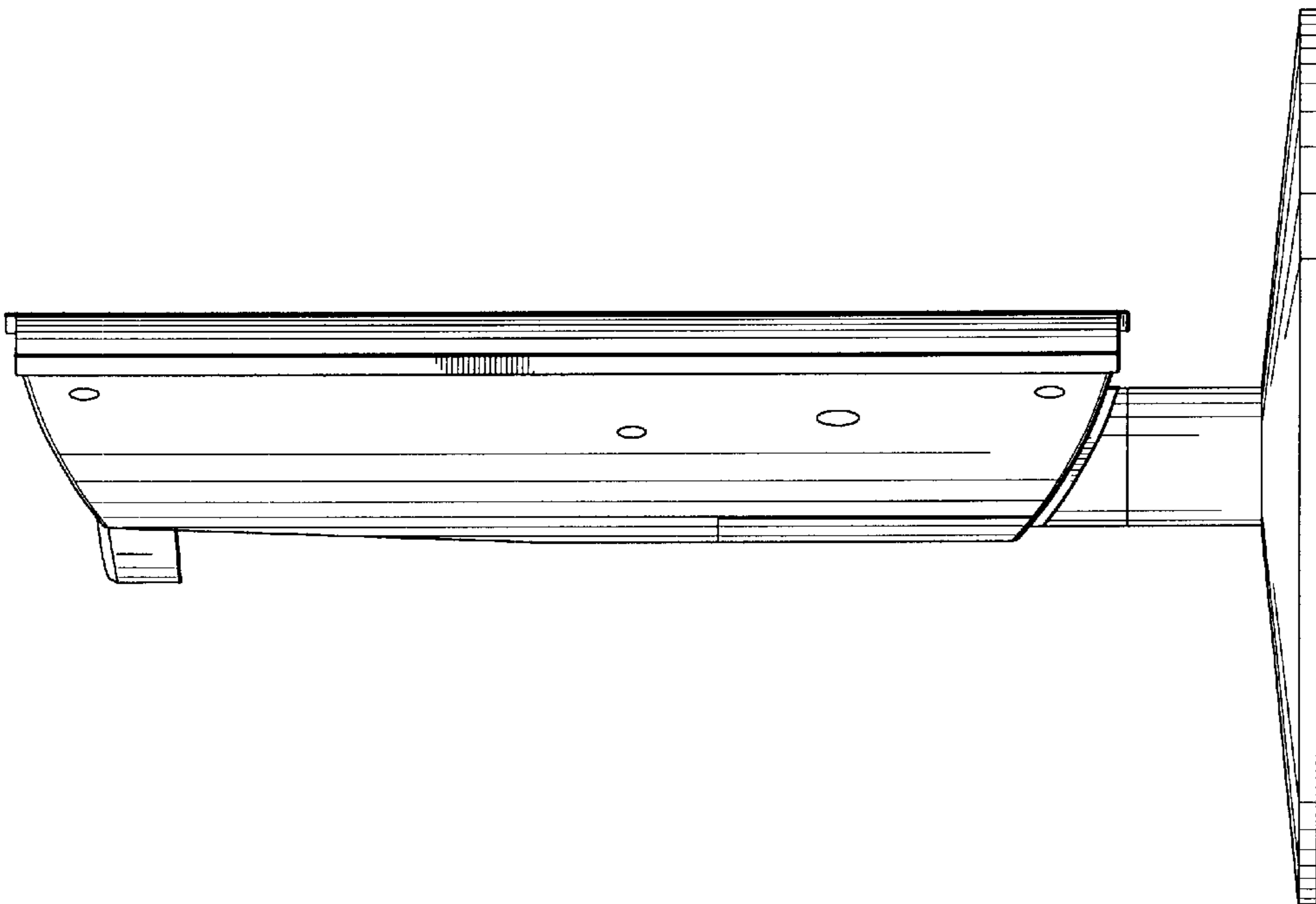


FIG. 4

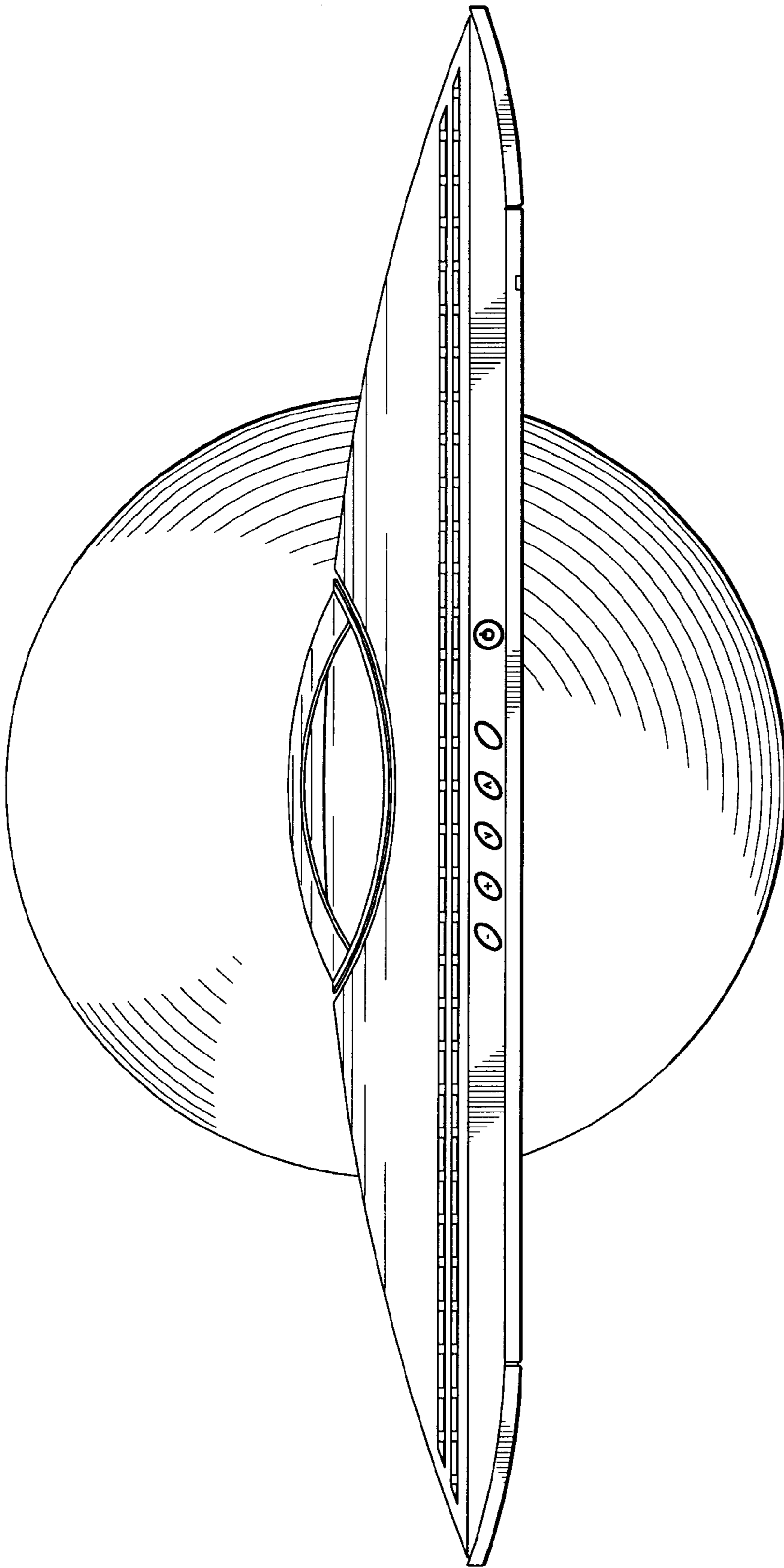


FIG. 6

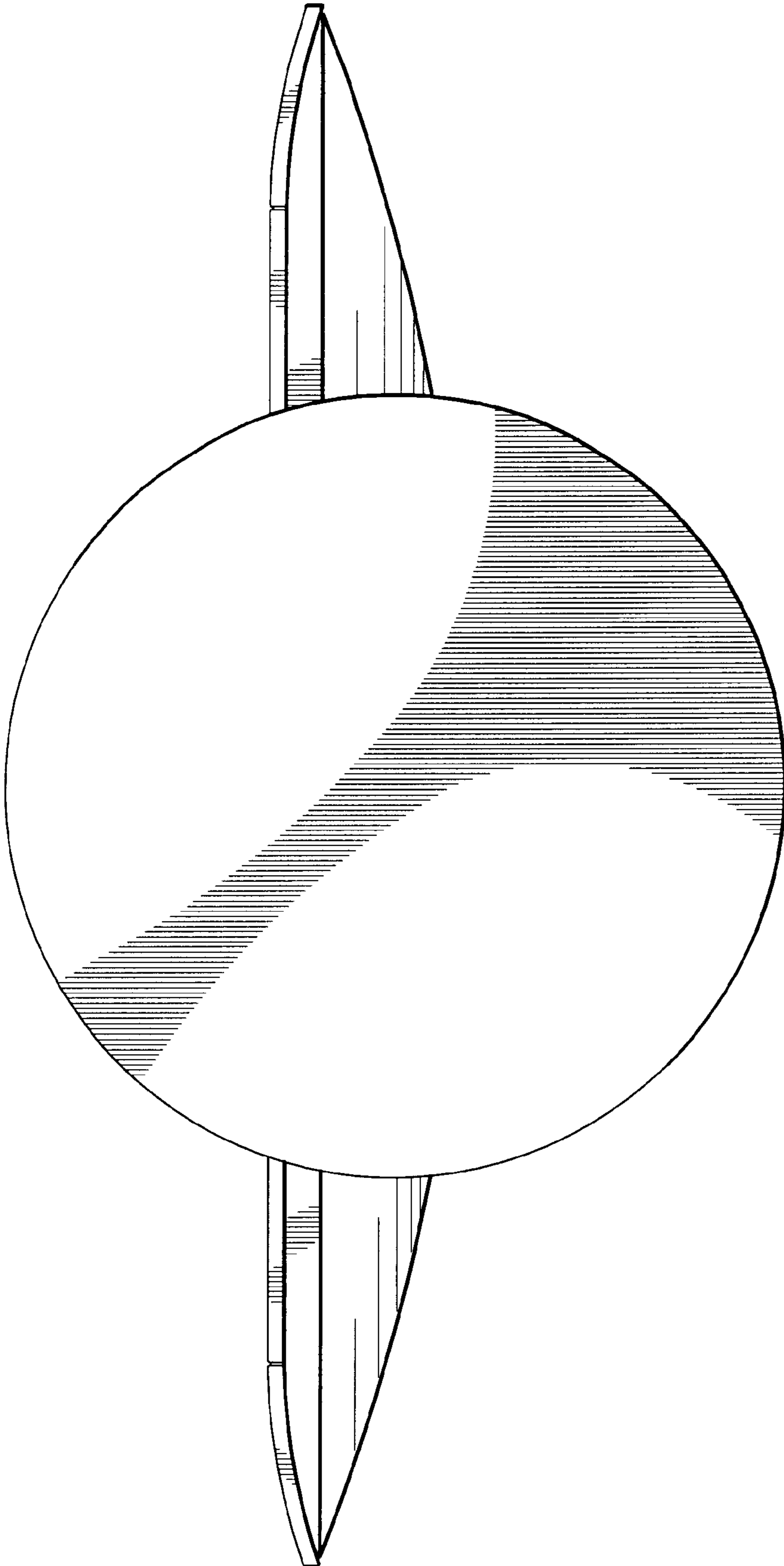


FIG. 7

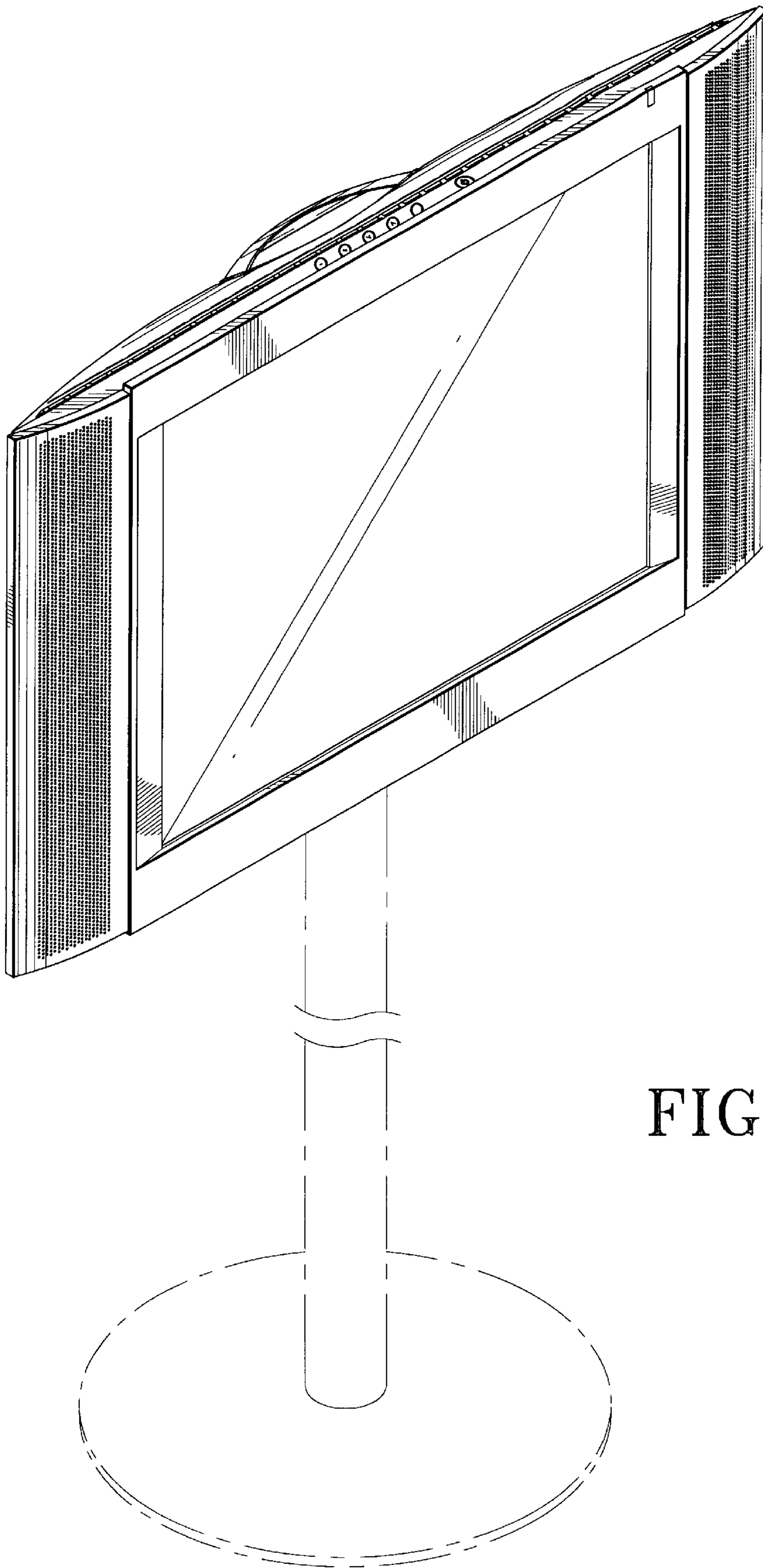


FIG. 8