



US00D471193S

(12) **United States Design Patent**
Chen et al.

(10) **Patent No.:** **US D471,193 S**

(45) **Date of Patent:** **** Mar. 4, 2003**

(54) **COMPUTER ENCLOSURE**

D447,746 S * 9/2001 Tonozuka et al. D14/356

(75) Inventors: **Jung-Chi Chen**, Tu-Chen (TW);
Yun-Lung Chen, Tu-Chen (TW);
Liang-Chin Wang, Tu-Chen (TW)

* cited by examiner

Primary Examiner—Freda Nunn
(74) *Attorney, Agent, or Firm*—Wei Te Chung

(73) Assignee: **Hon Hai Precision Ind. Co., Ltd.**,
Taipei Hsien (TW)

(57) **CLAIM**

(**) Term: **14 Years**

The ornamental design for a computer enclosure, as shown and described.

(21) Appl. No.: **29/156,387**

DESCRIPTION

(22) Filed: **Feb. 27, 2002**

FIG. 1 is a perspective view of a computer enclosure showing our new design;

(51) **LOC (7) Cl.** **14-02**

FIG. 2 is a front elevational view thereof;

(52) **U.S. Cl.** **D14/348**

FIG. 3 is a rear elevational view thereof;

(58) **Field of Search** D14/368, 314,
D14/348, 361, 362, 363, 356; D13/162,
184, 199; 312/223.1–223.2; 360/99.01–99.12;
361/690–696, 685

FIG. 4 is a left side elevational view thereof;

FIG. 5 is a right side elevational view thereof;

FIG. 6 is a top plan view thereof;

FIG. 7 is a bottom plan view thereof; and,

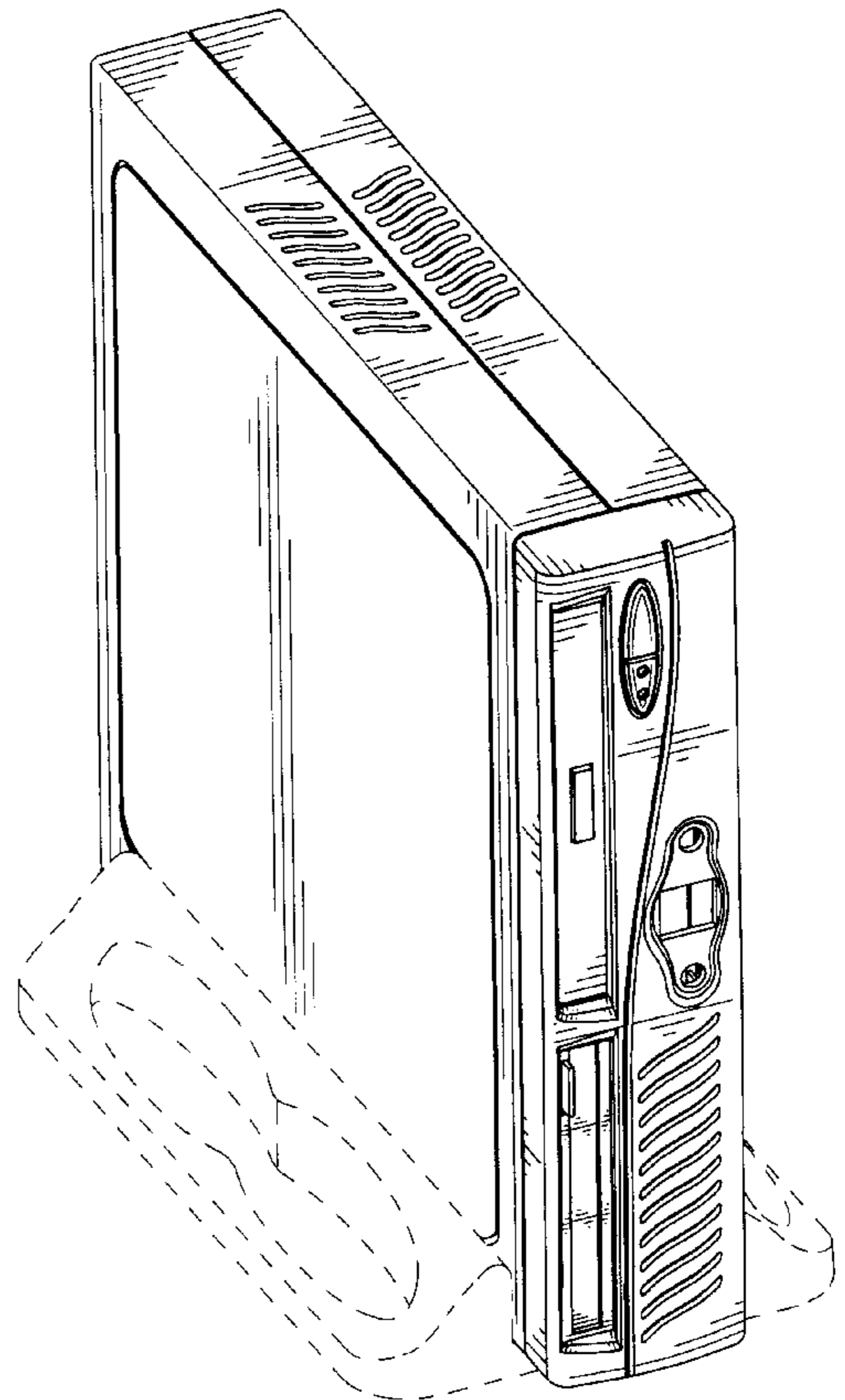
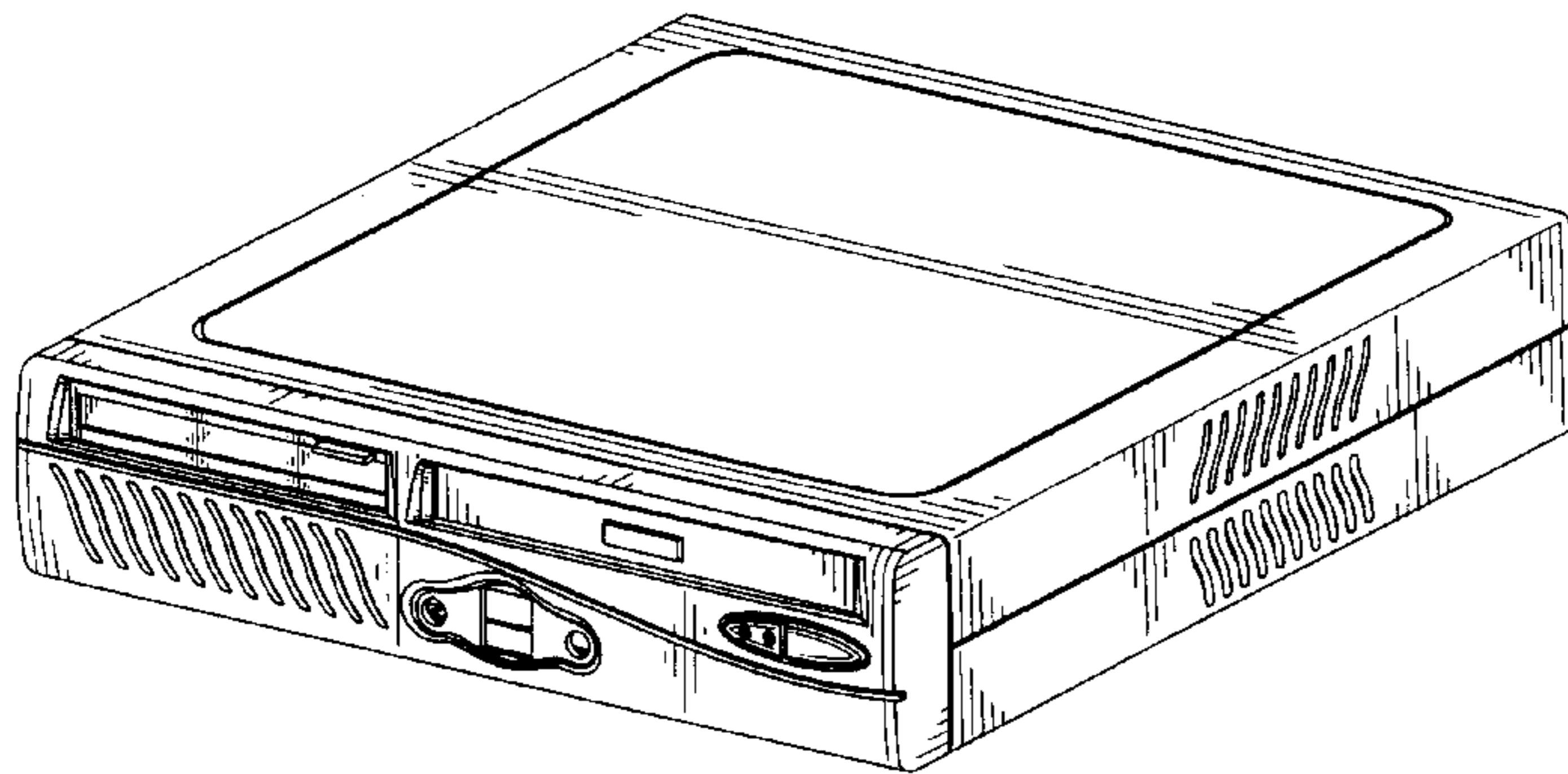
FIG. 8 is a view similar to FIG. 1 with the computer enclosure mounted to a base which is shown in broken lines for illustrative purposes only and forms no part of the claimed design.

(56) **References Cited**

U.S. PATENT DOCUMENTS

D425,494 S * 5/2000 Okonogi et al. D14/348

1 Claim, 6 Drawing Sheets



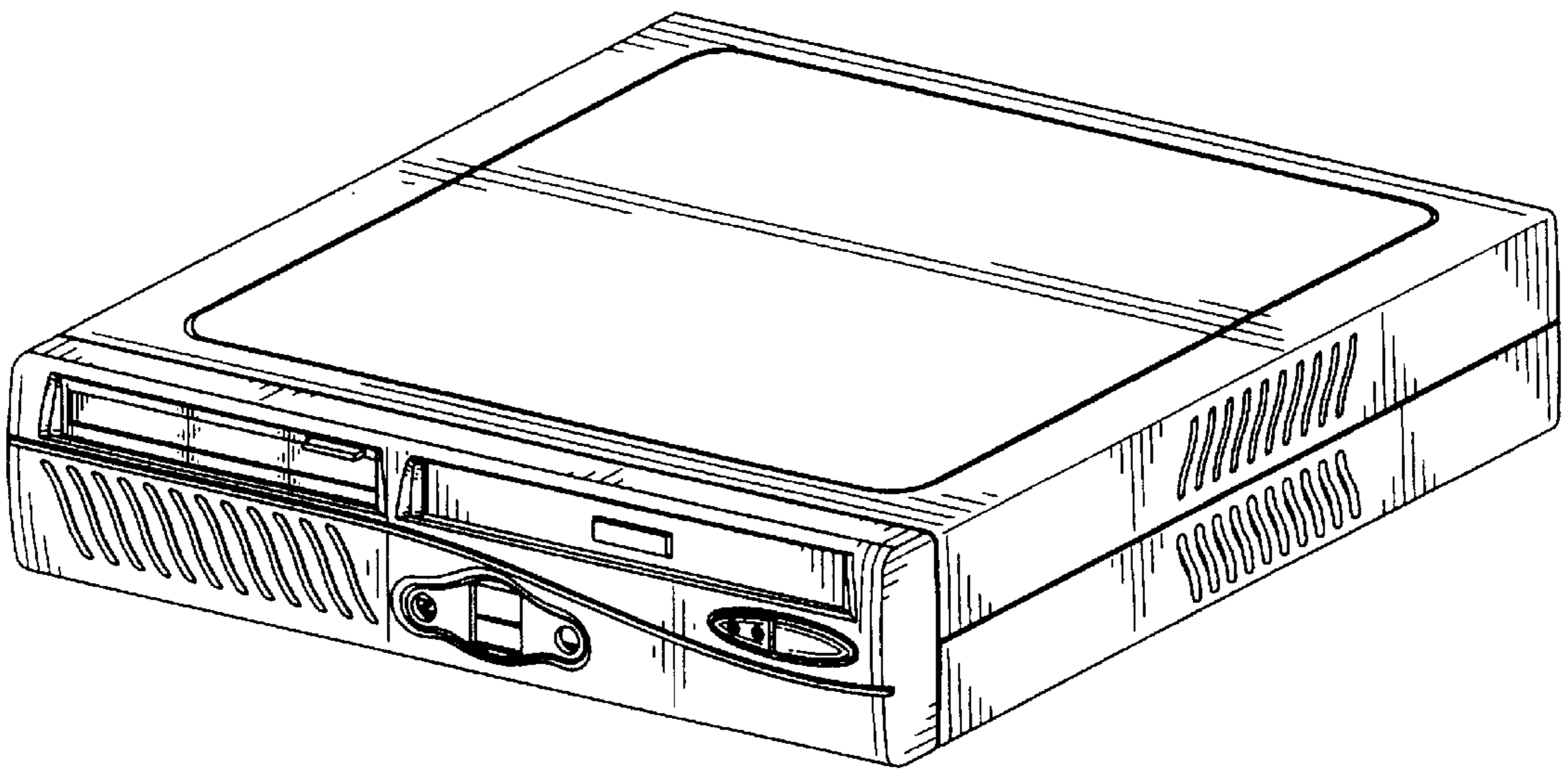


FIG. 1

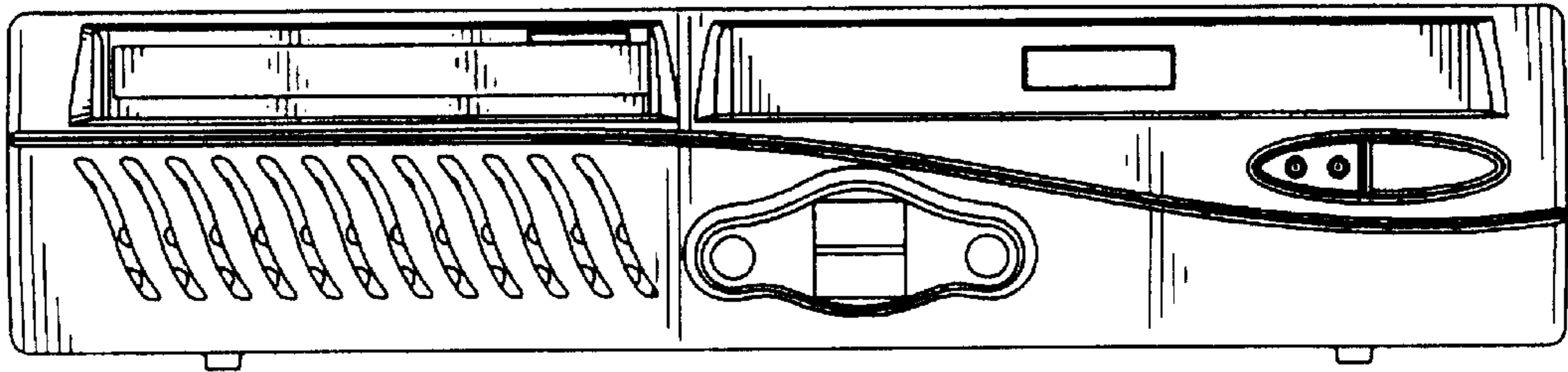


FIG. 2

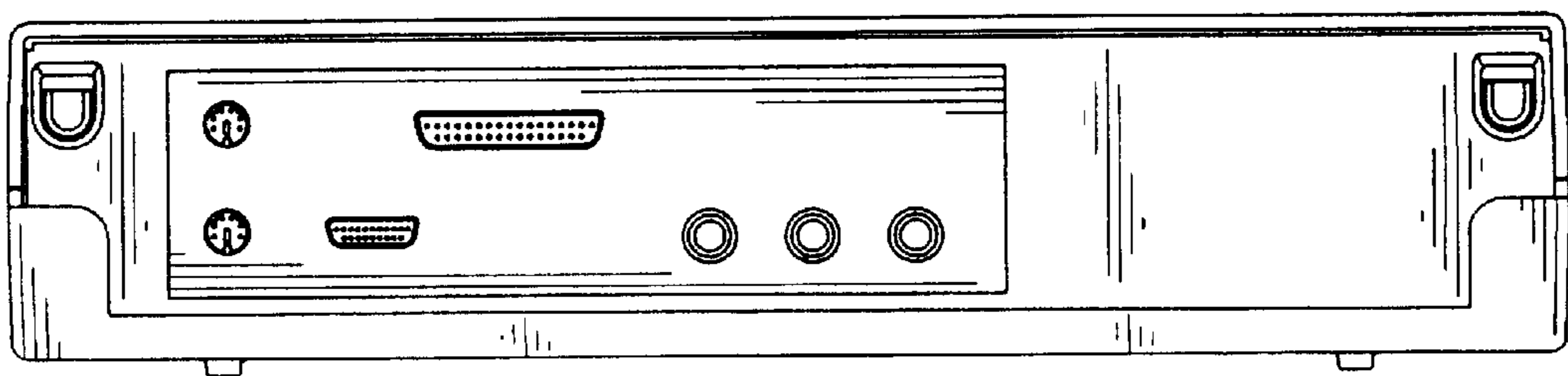


FIG. 3

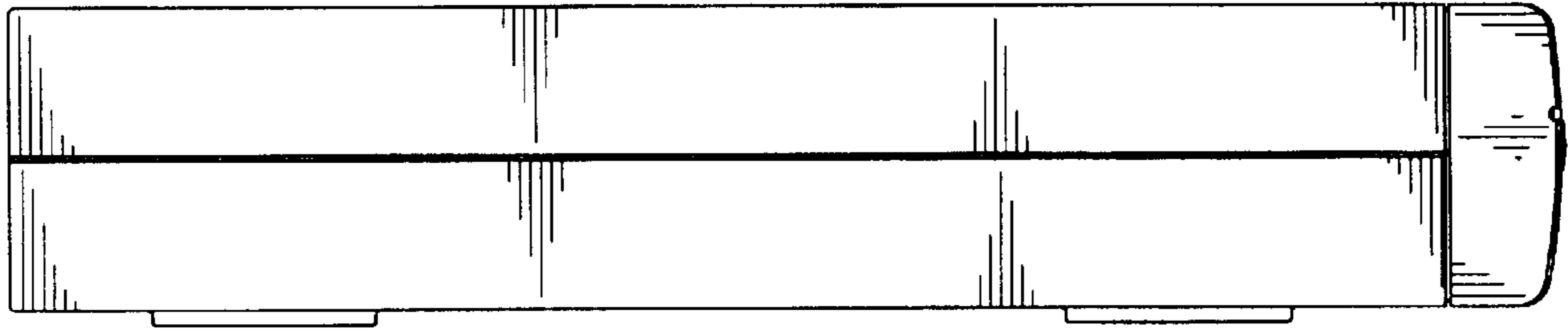


FIG. 4

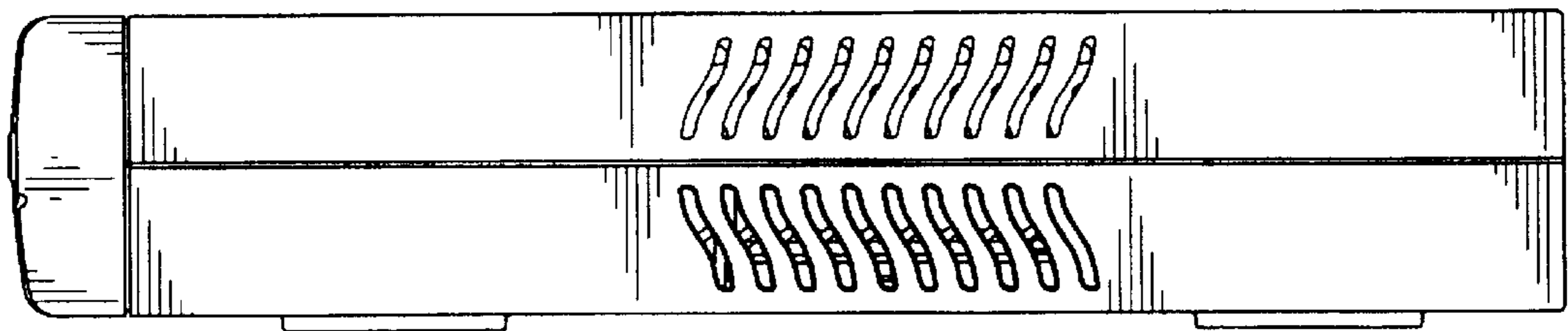


FIG. 5

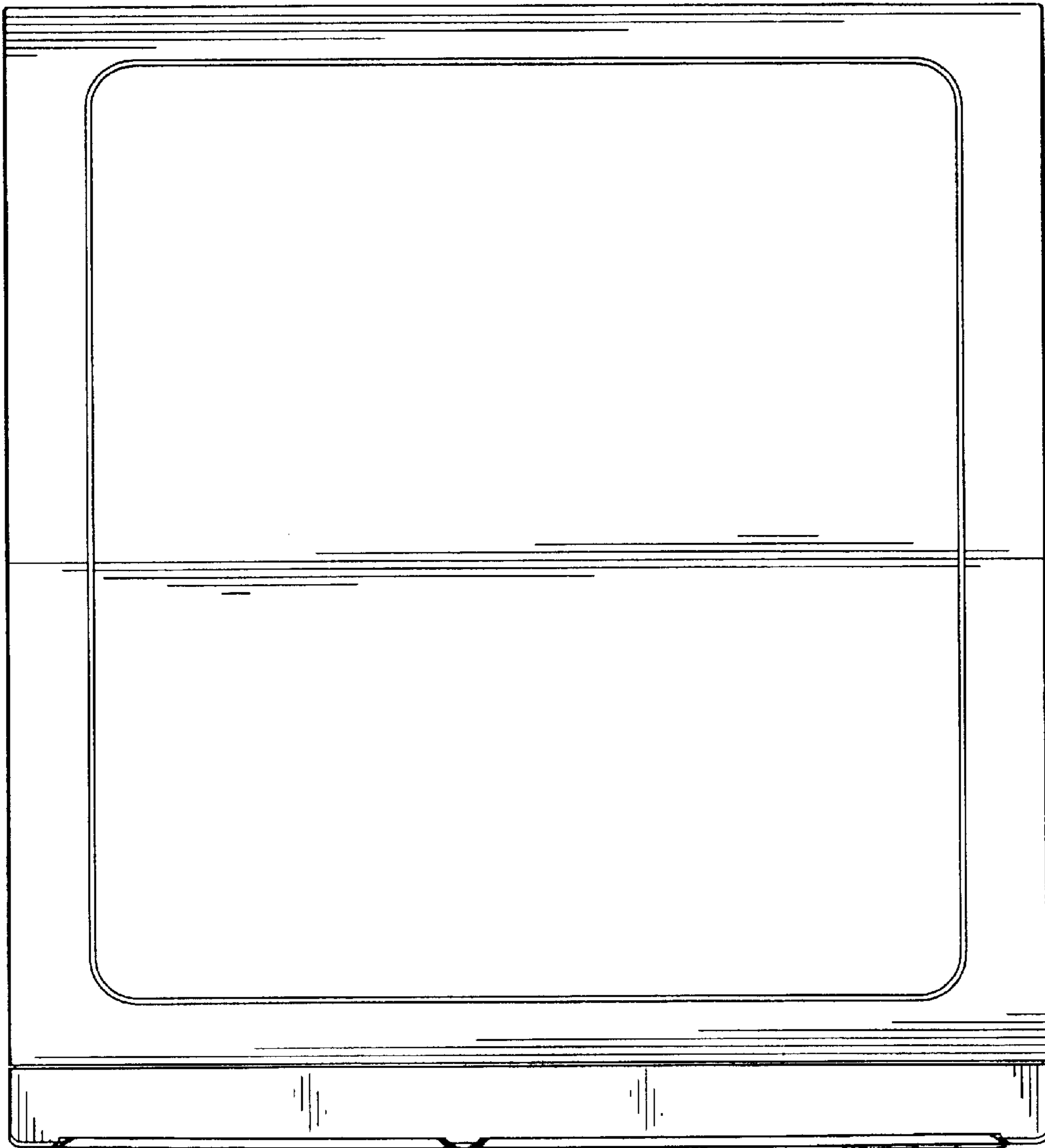


FIG. 6

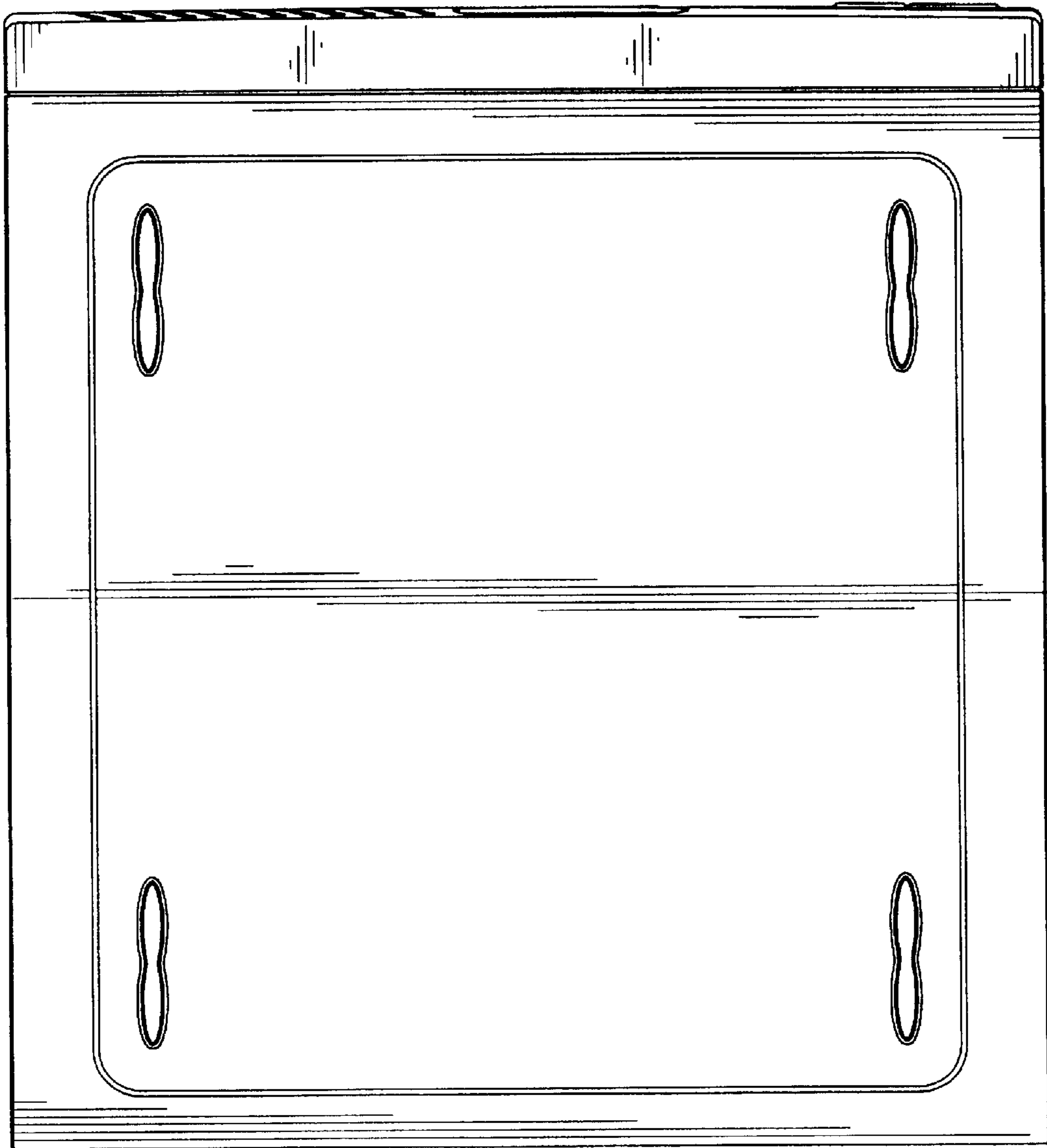


FIG. 7

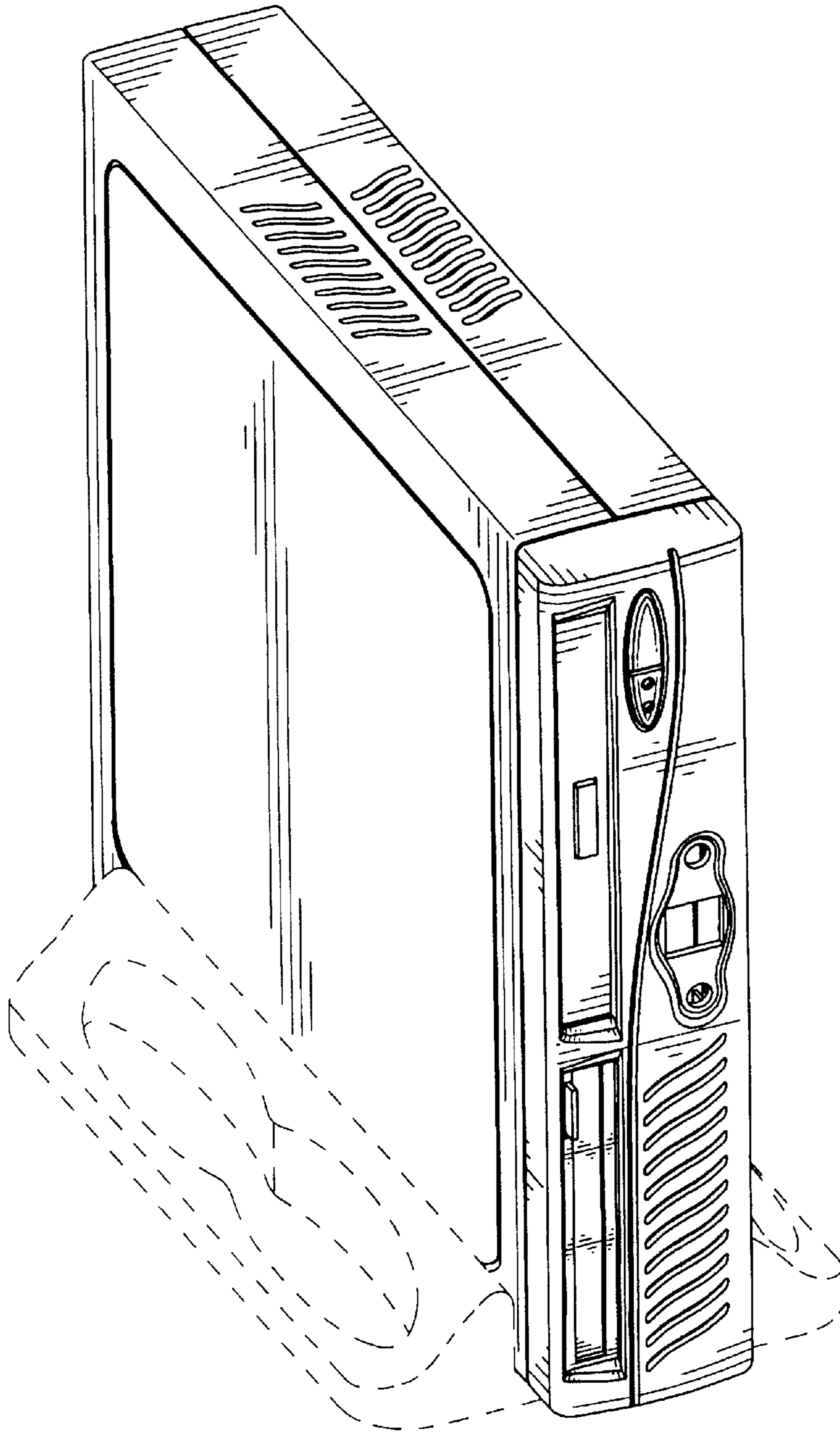


FIG. 8