



US00D471187S

(12) **United States Design Patent**
Song

(10) **Patent No.:** **US D471,187 S**

(45) **Date of Patent:** **** Mar. 4, 2003**

(54) **BASE FOR PORTABLE TELEPHONE**

(76) **Inventor:** **Young Taek Song**, 1152-1301 MoRan Apt., 1065-4 Sanbon2-dong, Gunpo-city, Kyonggi-do 435-744 (KR)

(**) **Term:** **14 Years**

(21) **Appl. No.:** **29/148,944**

(22) **Filed:** **Sep. 28, 2001**

(30) **Foreign Application Priority Data**

Aug. 10, 2001 (KR) 01-22241

(51) **LOC (7) Cl.** **14-03**

(52) **U.S. Cl.** **D14/253; D14/142; D14/243**

(58) **Field of Search** D14/137, 434, D14/138, 447, 148, 147, 149-151, 140-142, 240, 241, 251, 253, 243, 451; 379/426, 449, 419, 420.01-420.04, 428.01-428.04, 440, 454, 455, 446; 455/550-575, 90; D13/107, 108; 320/110, 113, 114, 115

(56) **References Cited**

U.S. PATENT DOCUMENTS

D289,520 S	*	4/1987	Pushelberg	D14/151
D305,119 S	*	12/1989	Pfeifer et al.	D14/142
D307,276 S	*	4/1990	Desbarats	D14/149
5,305,381 A	*	4/1994	Wang et al.	379/455
D350,541 S	*	9/1994	Chung et al.	D14/149
D352,032 S	*	11/1994	Cowan	D14/151
D352,497 S	*	11/1994	Scianna, Sr. et al.	D13/108
D358,813 S	*	5/1995	Hellier et al.	D14/149

D360,210 S	*	7/1995	Rudkiewicz et al.	D14/253
D378,089 S	*	2/1997	Biskup et al.	D14/149
D384,663 S	*	10/1997	Solomita et al.	D14/141
D390,560 S	*	2/1998	Johnson et al.	D14/149
5,788,202 A	*	8/1998	Richter	379/446 X
5,836,563 A	*	11/1998	Hsin-Yung	248/316.4
D415,490 S	*	10/1999	Chan	D14/149
6,073,901 A	*	6/2000	Richter	379/455 X
D435,253 S	*	12/2000	Oden, II et al.	D14/253
D440,215 S	*	4/2001	Willison et al.	D14/149
6,229,891 B1	*	5/2001	Chen	379/446
6,256,387 B1	*	7/2001	Wang	379/446

FOREIGN PATENT DOCUMENTS

KR 2001-1555 1/2001

* cited by examiner

Primary Examiner—Jeffrey Asch

(74) *Attorney, Agent, or Firm*—Merchant & Gould P.C.

(57) **CLAIM**

The ornamental design for base for portable telephone, as shown and described.

DESCRIPTION

FIG. 1 is a perspective view thereof;
FIG. 2 is a front view thereof;
FIG. 3 is a back side view thereof;
FIG. 4 is a left side view thereof;
FIG. 5 is a right side view thereof;
FIG. 6 is a top plan view thereof; and,
FIG. 7 is a bottom view of a base for portable telephone.

1 Claim, 4 Drawing Sheets

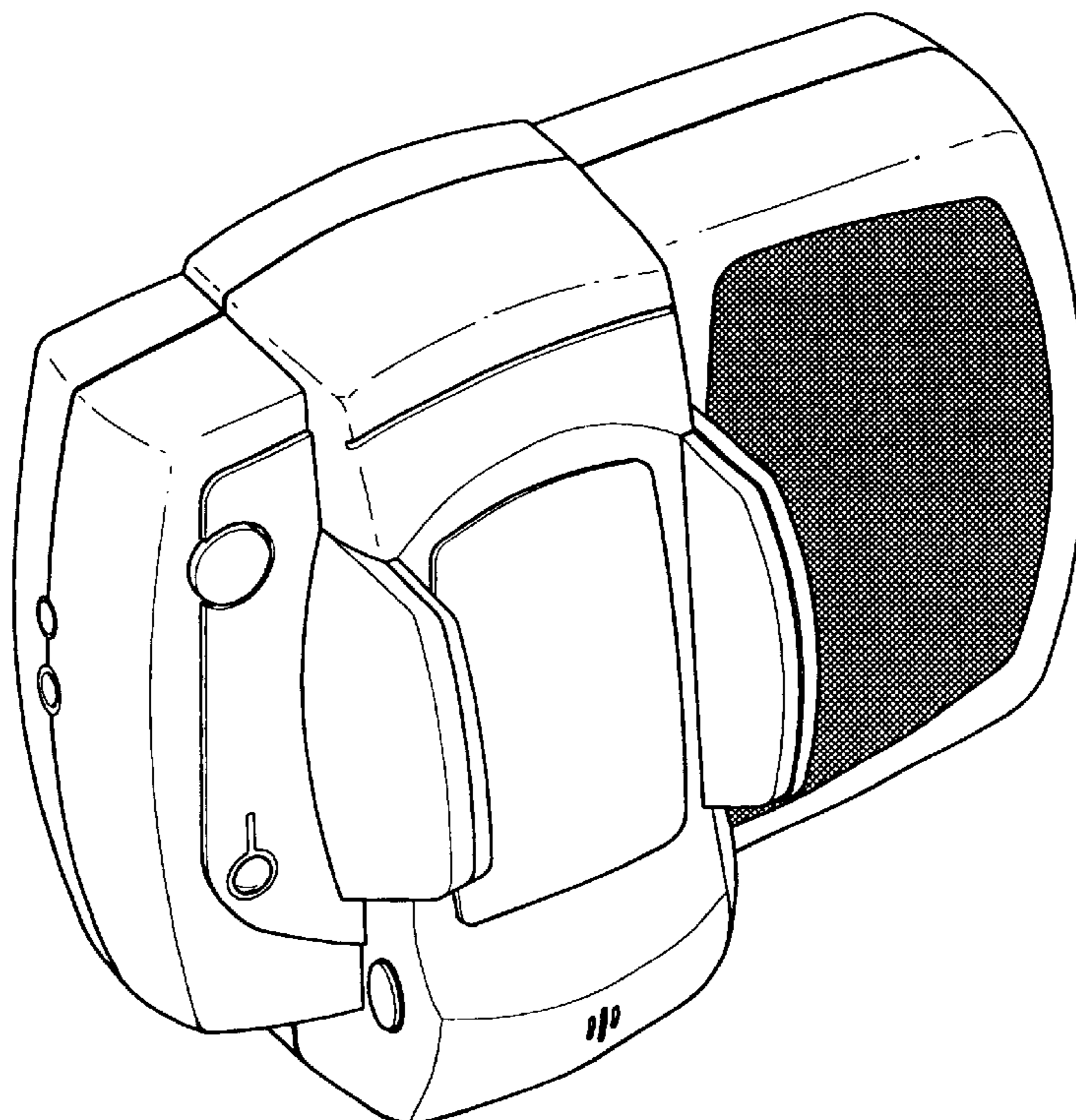


Fig. 1

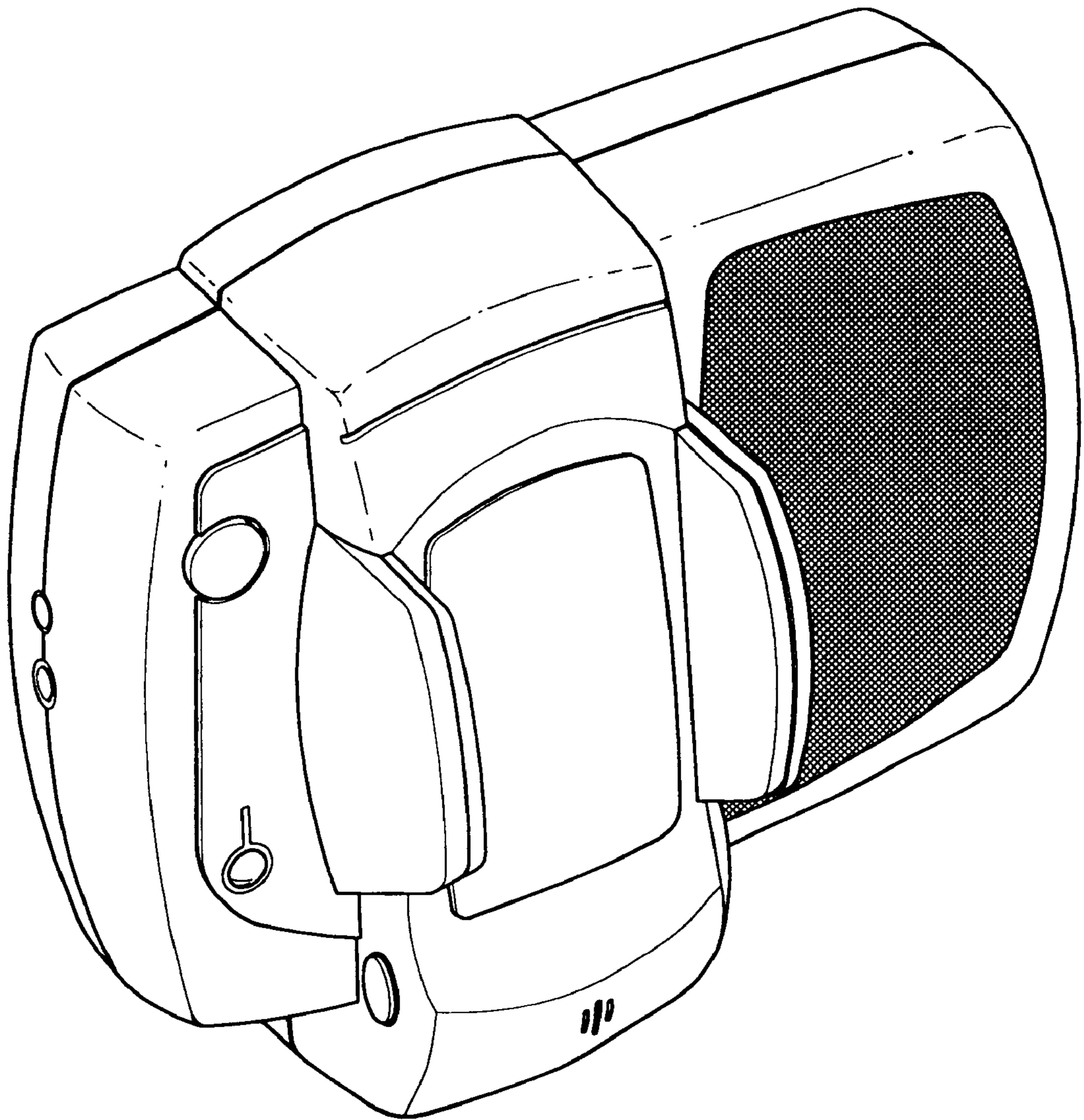


Fig. 2

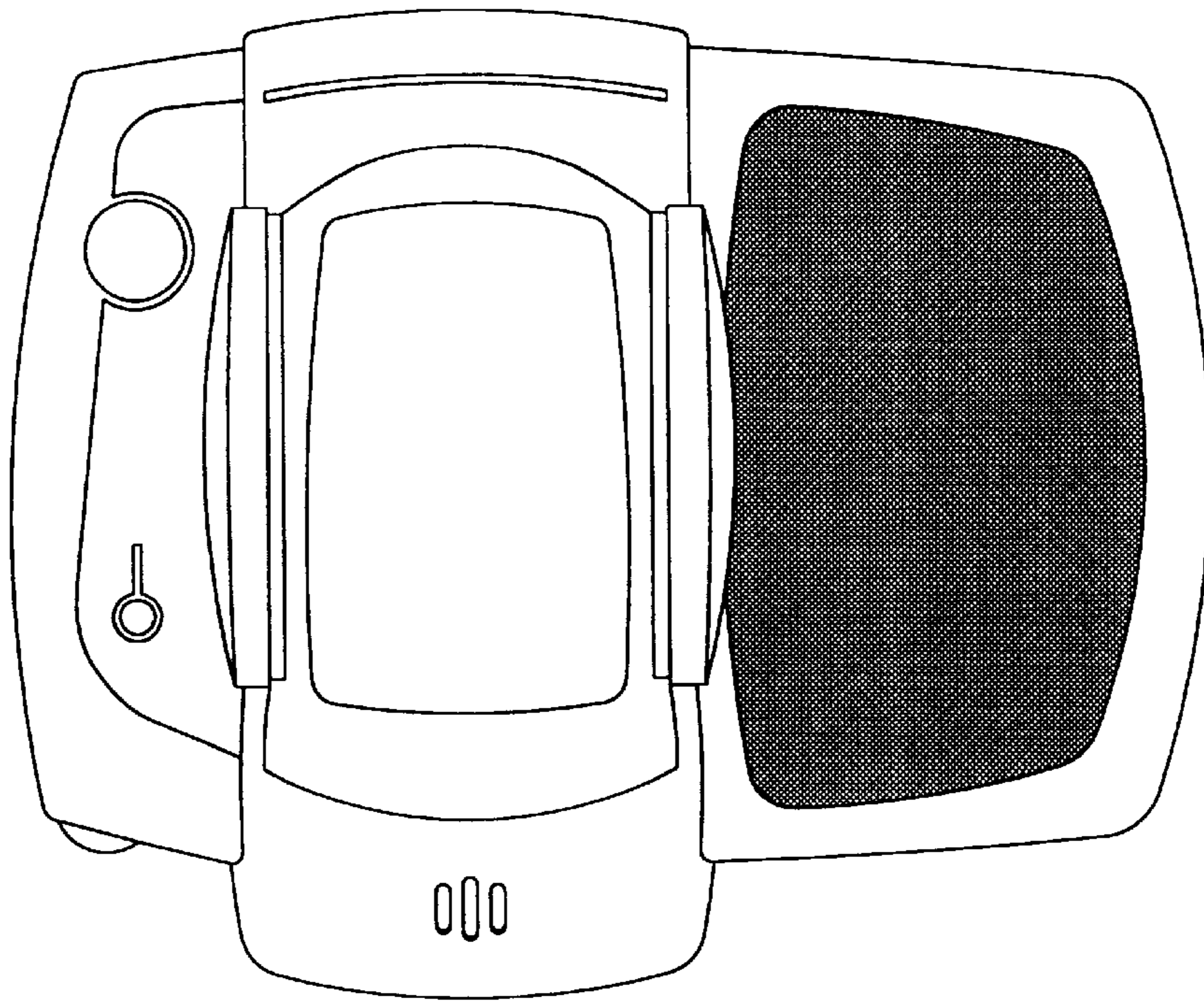


Fig. 3

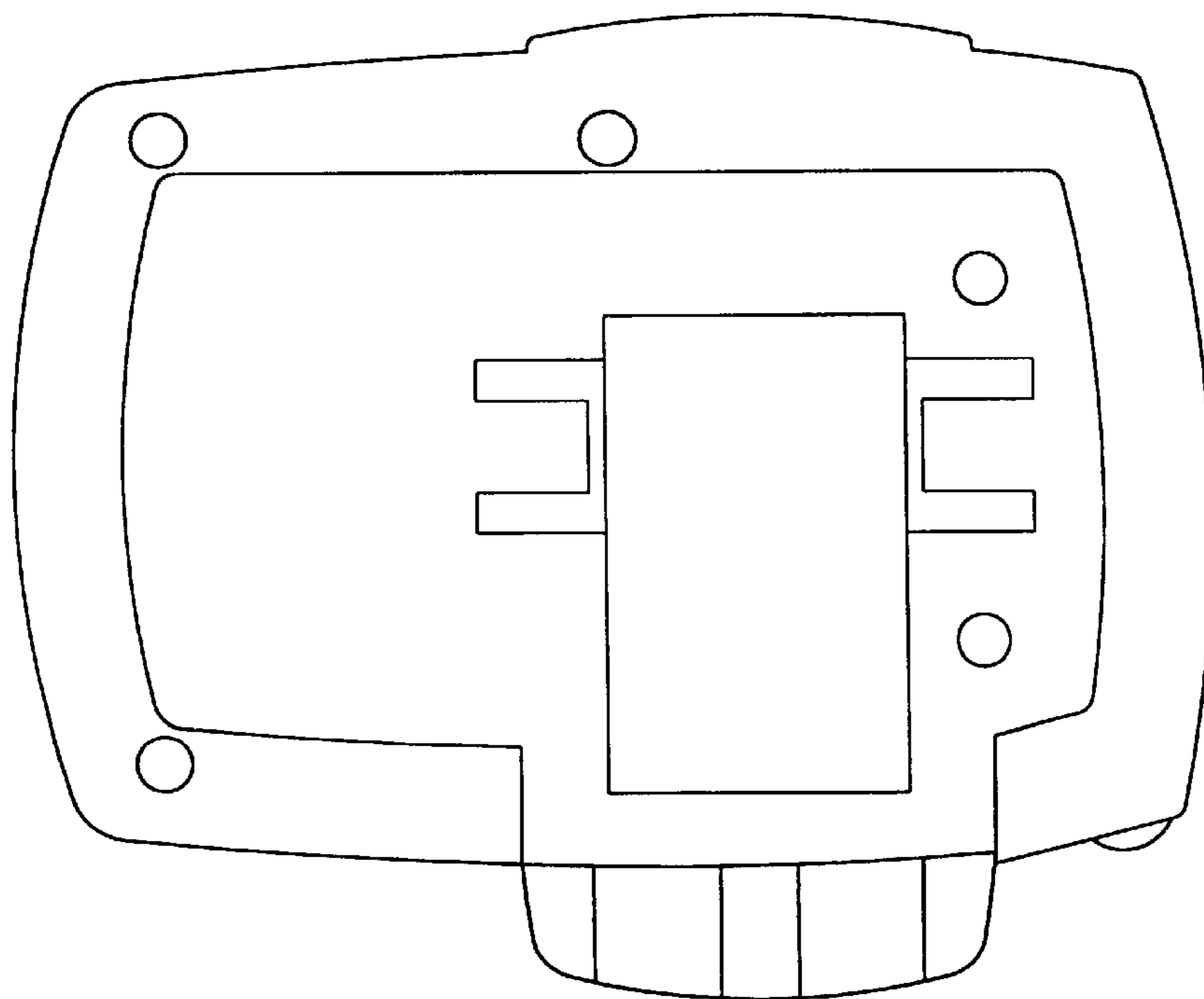


Fig. 4

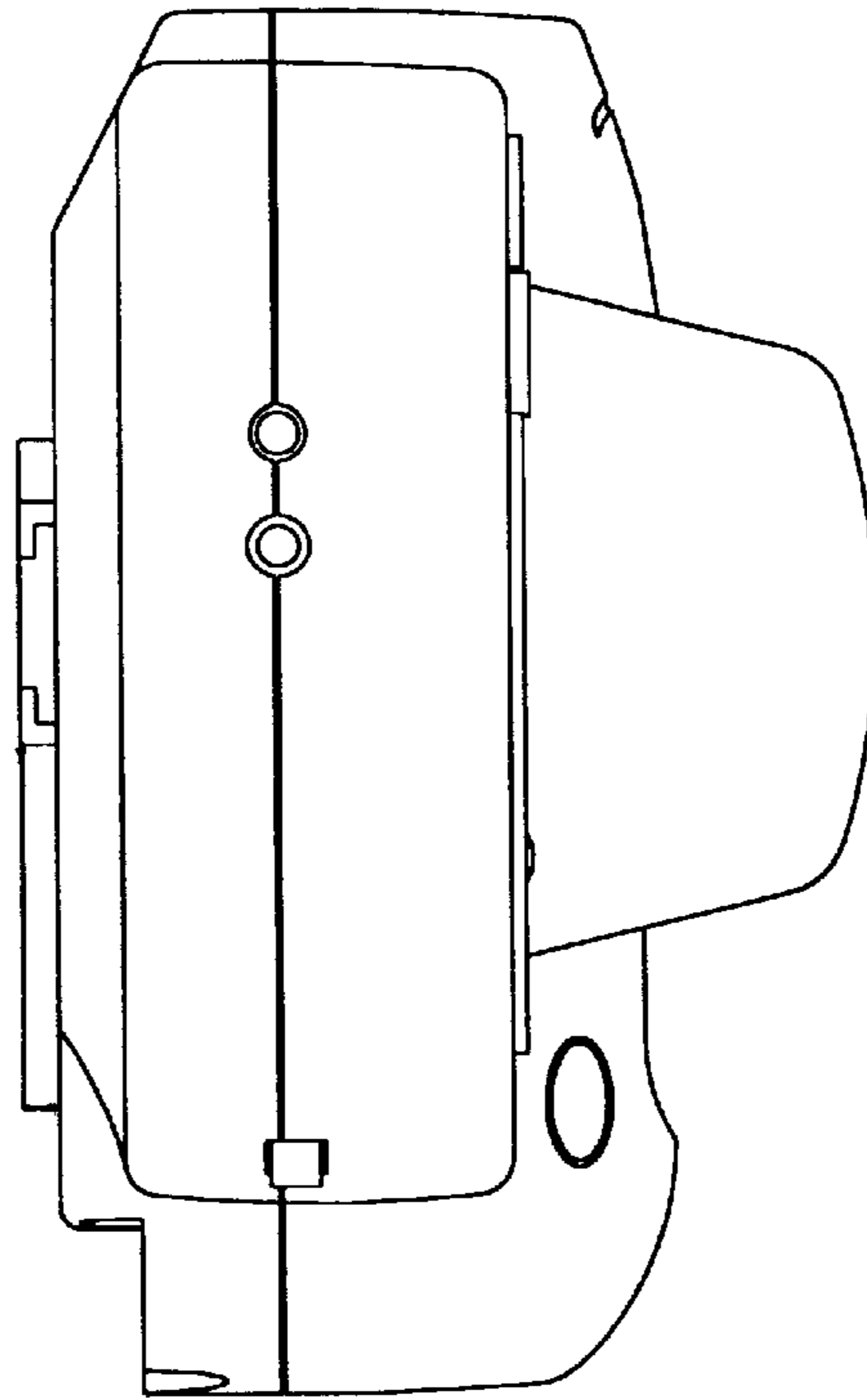


Fig. 5

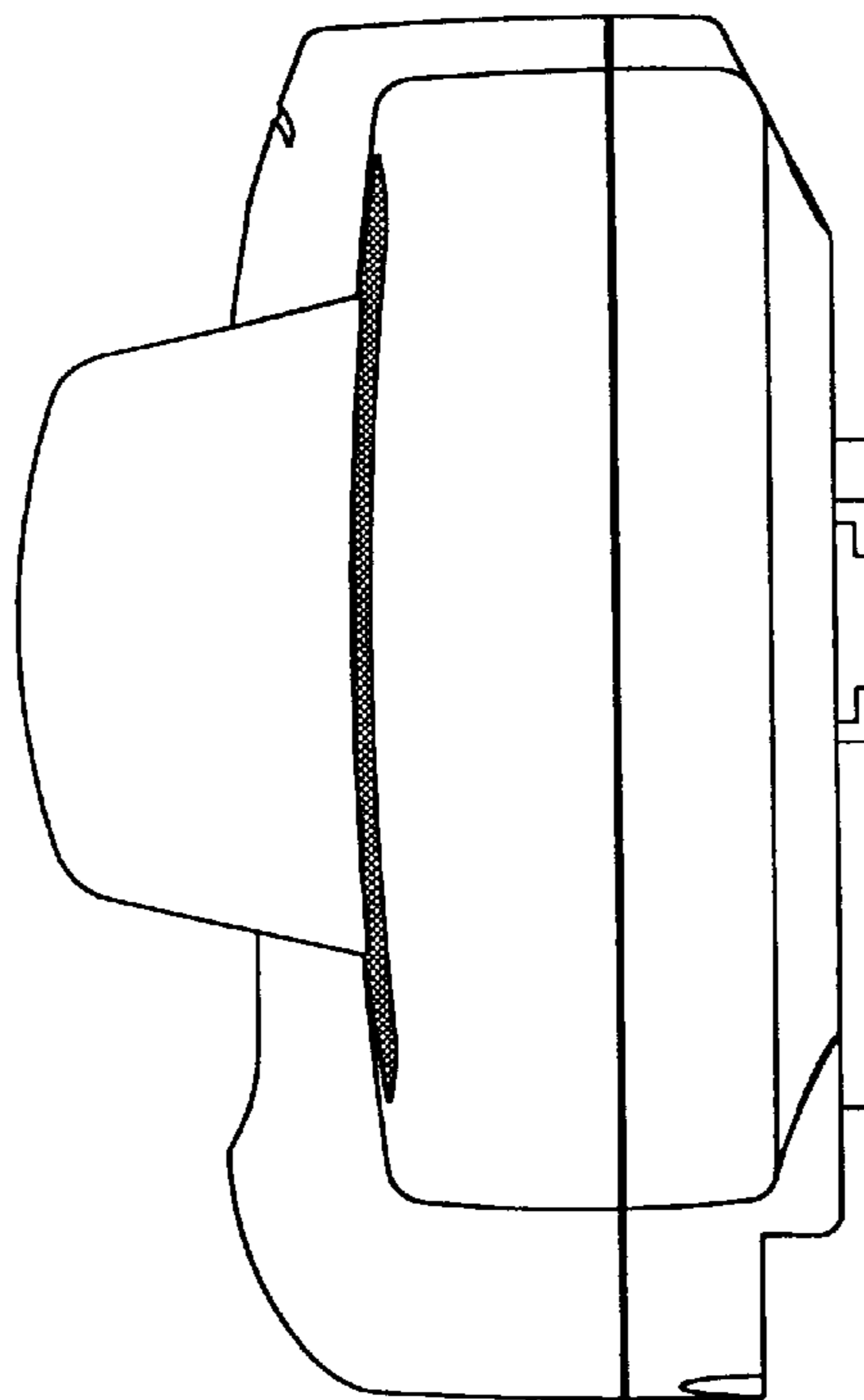


Fig. 6

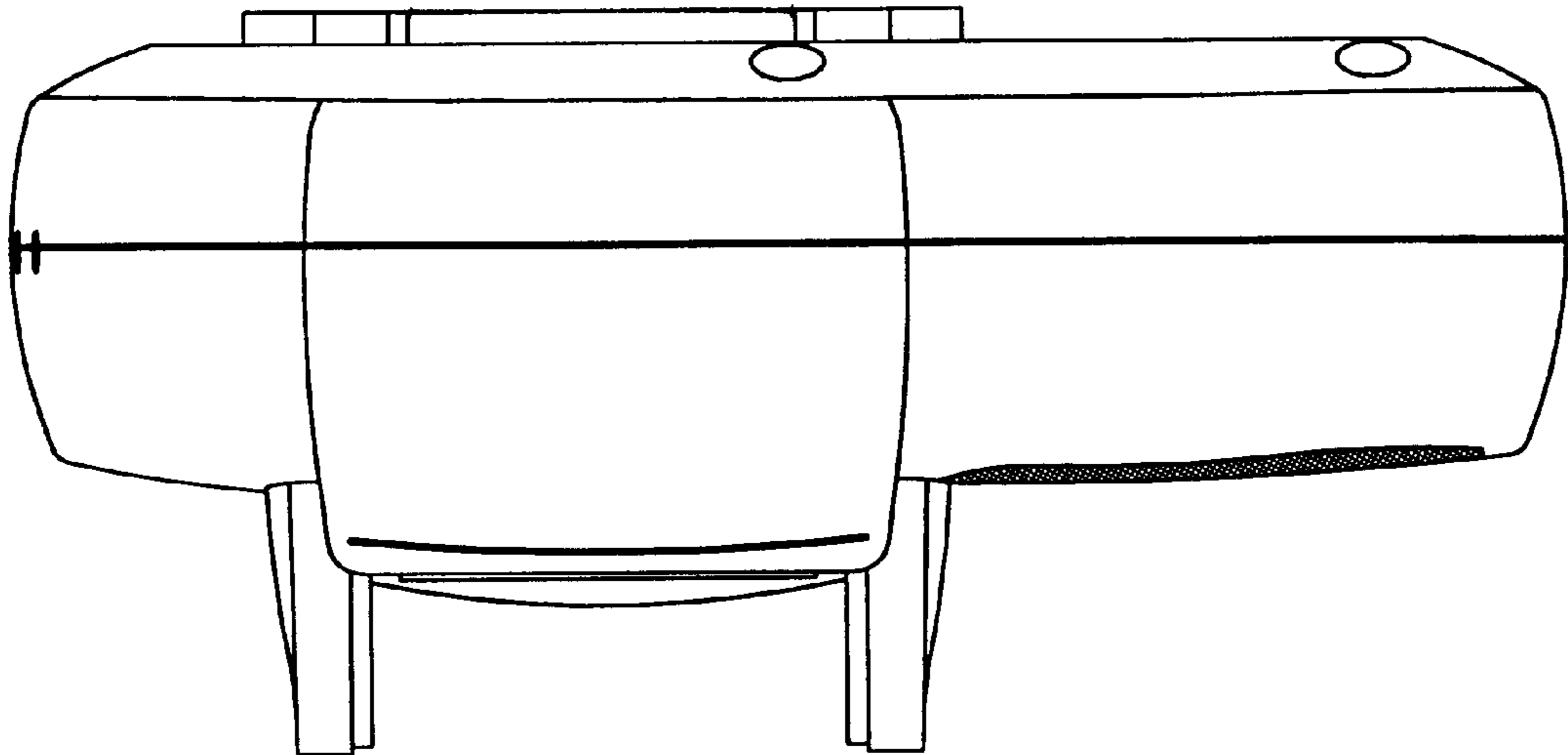


Fig. 7

