



US00D471180S

(12) **United States Design Patent**  
**Satoh**

(10) **Patent No.:** **US D471,180 S**

(45) **Date of Patent:** **\*\* Mar. 4, 2003**

(54) **KARAOKE CONTROLLER WITH MICROPHONE**

(75) Inventor: **Ryoichi Satoh**, Tokyo (JP)

(73) Assignee: **Takara Co., Ltd.**, Tokyo (JP)

(\*\*) Term: **14 Years**

(21) Appl. No.: **29/145,702**

(22) Filed: **Jul. 27, 2001**

(51) **LOC (7) Cl.** ..... **14-03**

(52) **U.S. Cl.** ..... **D14/218**

(58) **Field of Search** ..... D14/174, 217, D14/218, 225-229, 191-193, 124, 299, 167-168; D13/168, 162-164; 348/114, 735; 455/352-355, 151.1-151.4; D21/512-517, 566; D10/104, 106

(56) **References Cited**

**U.S. PATENT DOCUMENTS**

D169,426 S	*	4/1953	Dewsall	.....	D14/187
D189,354 S	*	11/1960	Taylor	.....	D14/187
D295,759 S	*	5/1988	Kolich	.....	D14/226
D376,803 S	*	12/1996	Lee	.....	D14/228
D415,441 S	*	10/1999	Pinchuk	.....	D10/104
D443,217 S	*	6/2001	Haberstich et al.	.....	D10/104

**FOREIGN PATENT DOCUMENTS**

JP 4-16697 2/1992

\* cited by examiner

*Primary Examiner*—Louis S. Zarfes

*Assistant Examiner*—Deame Levy

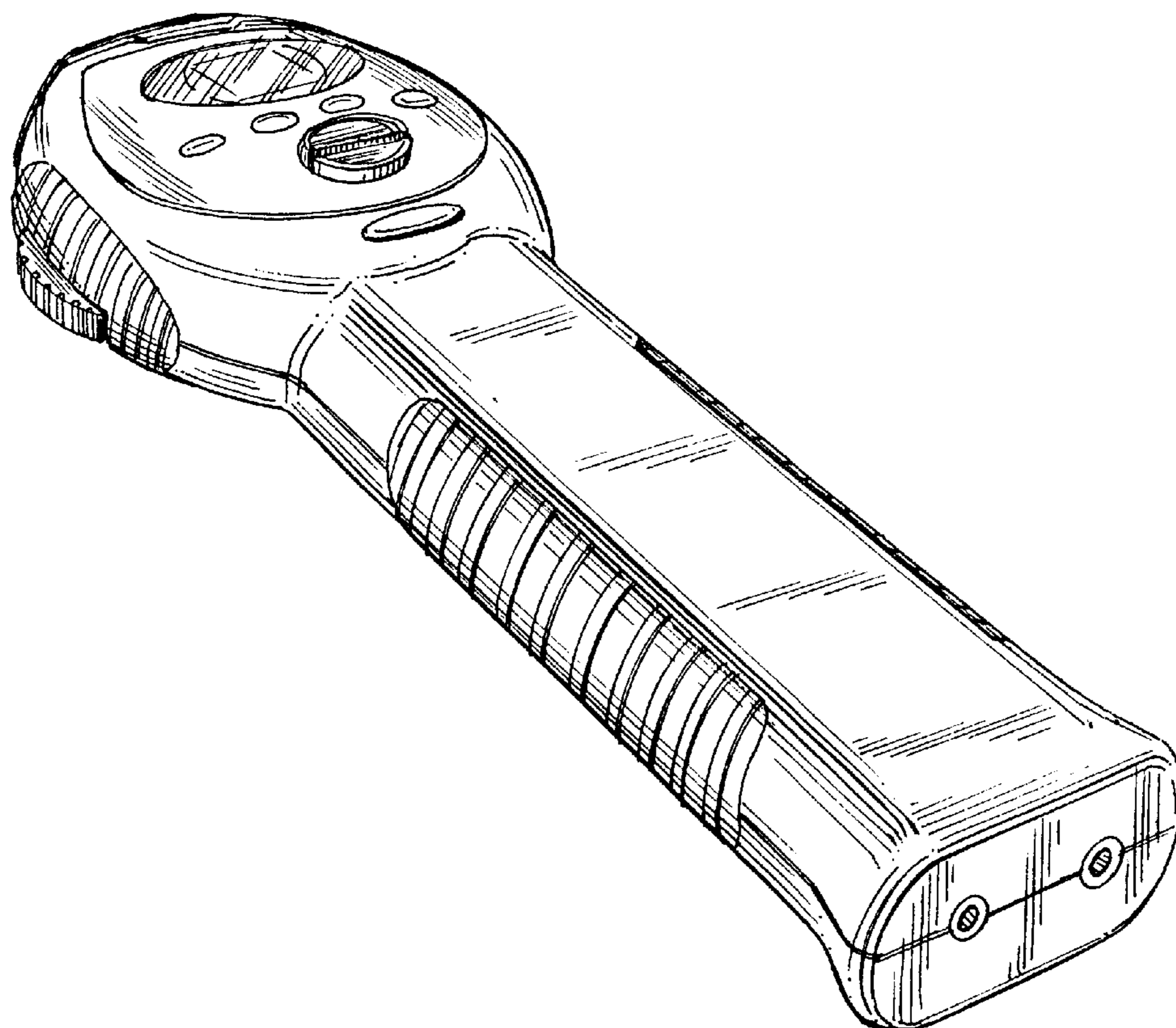
(57) **CLAIM**

The ornamental design for a karaoke controller with microphone, as shown and described.

**DESCRIPTION**

FIG. 1 is a front perspective view of a karaoke controller showing my new design;  
 FIG. 2 is a front plan view of the karaoke controller of FIG. 1;  
 FIG. 3 is a back plan view of the karaoke controller of FIG. 1;  
 FIG. 4 is a left side view of the karaoke controller of FIG. 1;  
 FIG. 5 is a right side view of the karaoke controller of FIG. 1;  
 FIG. 6 is a top view of the karaoke controller of FIG. 1; and,  
 FIG. 7 is a bottom view of the karaoke controller of FIG. 1.

**1 Claim, 2 Drawing Sheets**



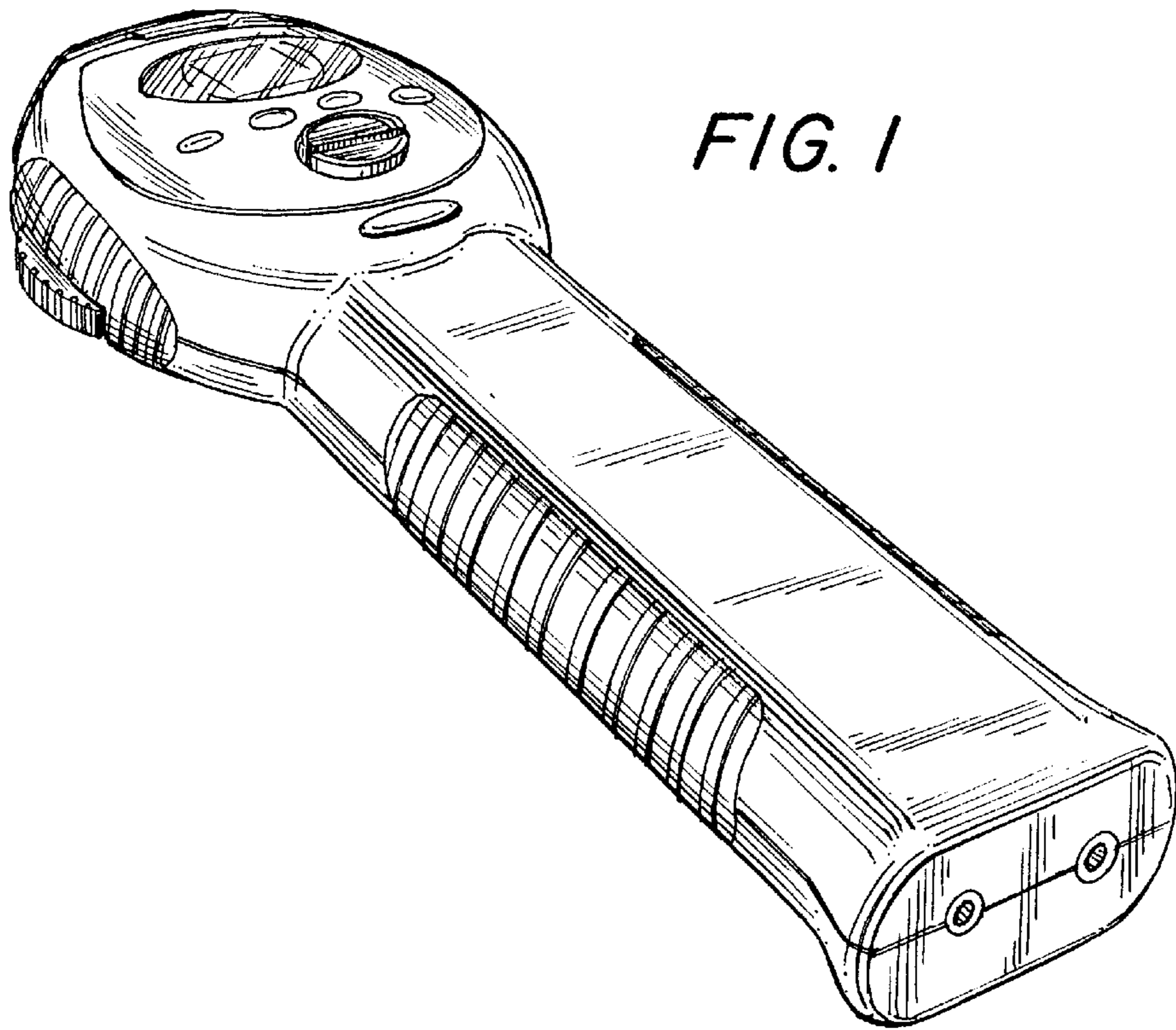


FIG. 1

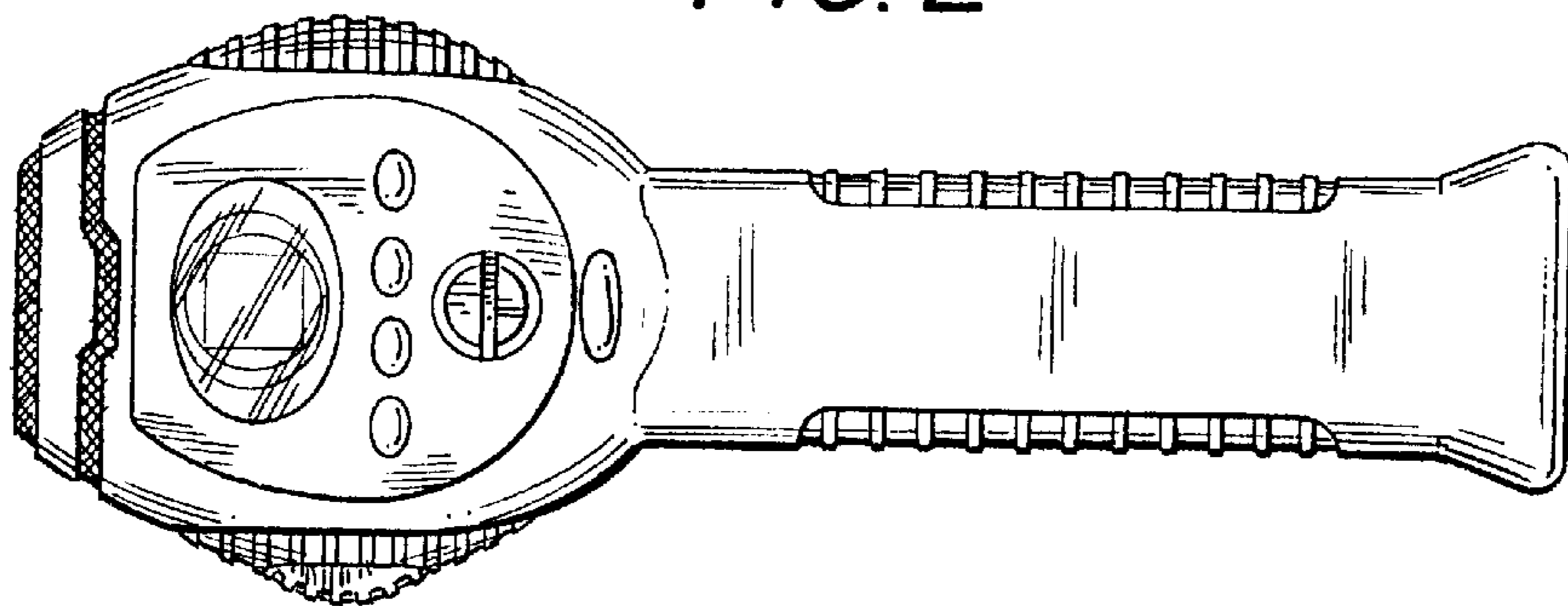


FIG. 2

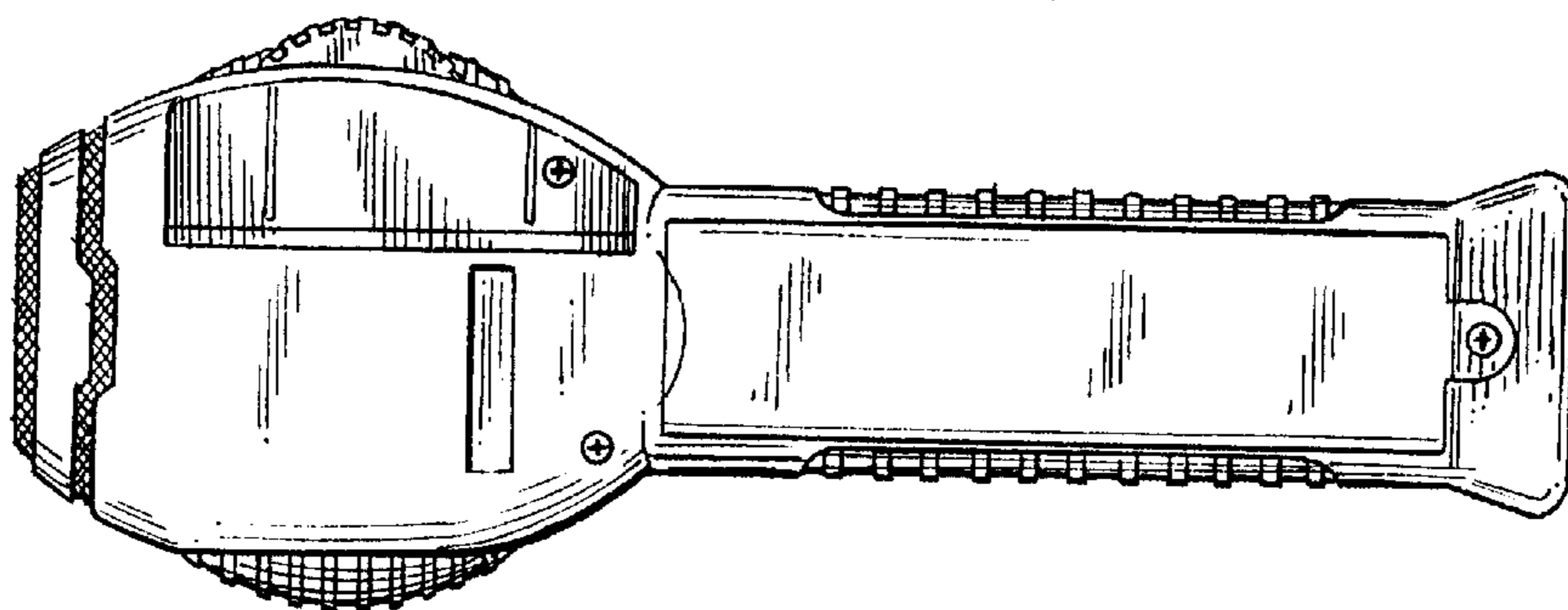
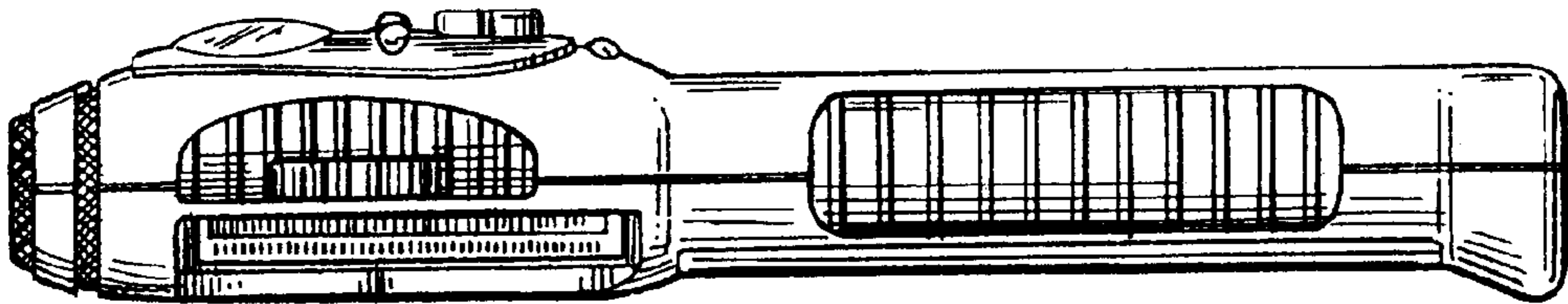
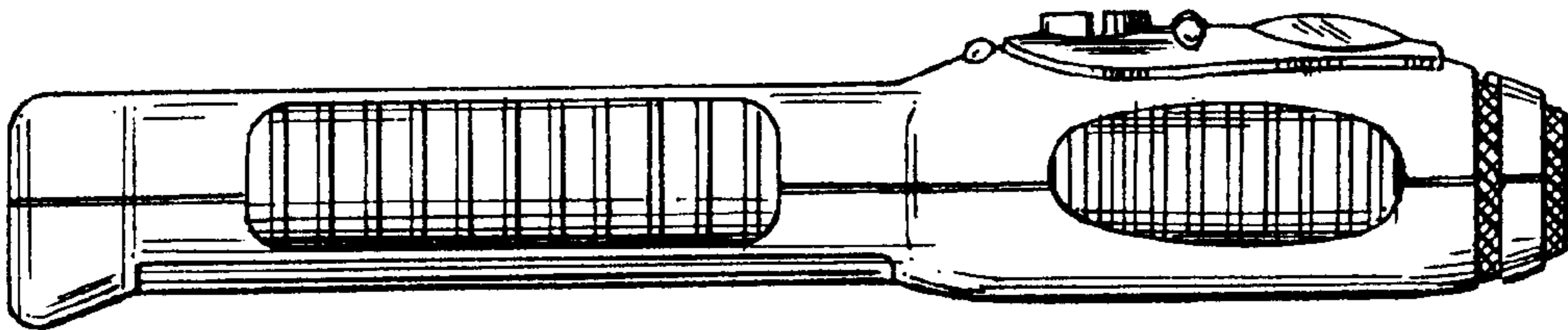


FIG. 3

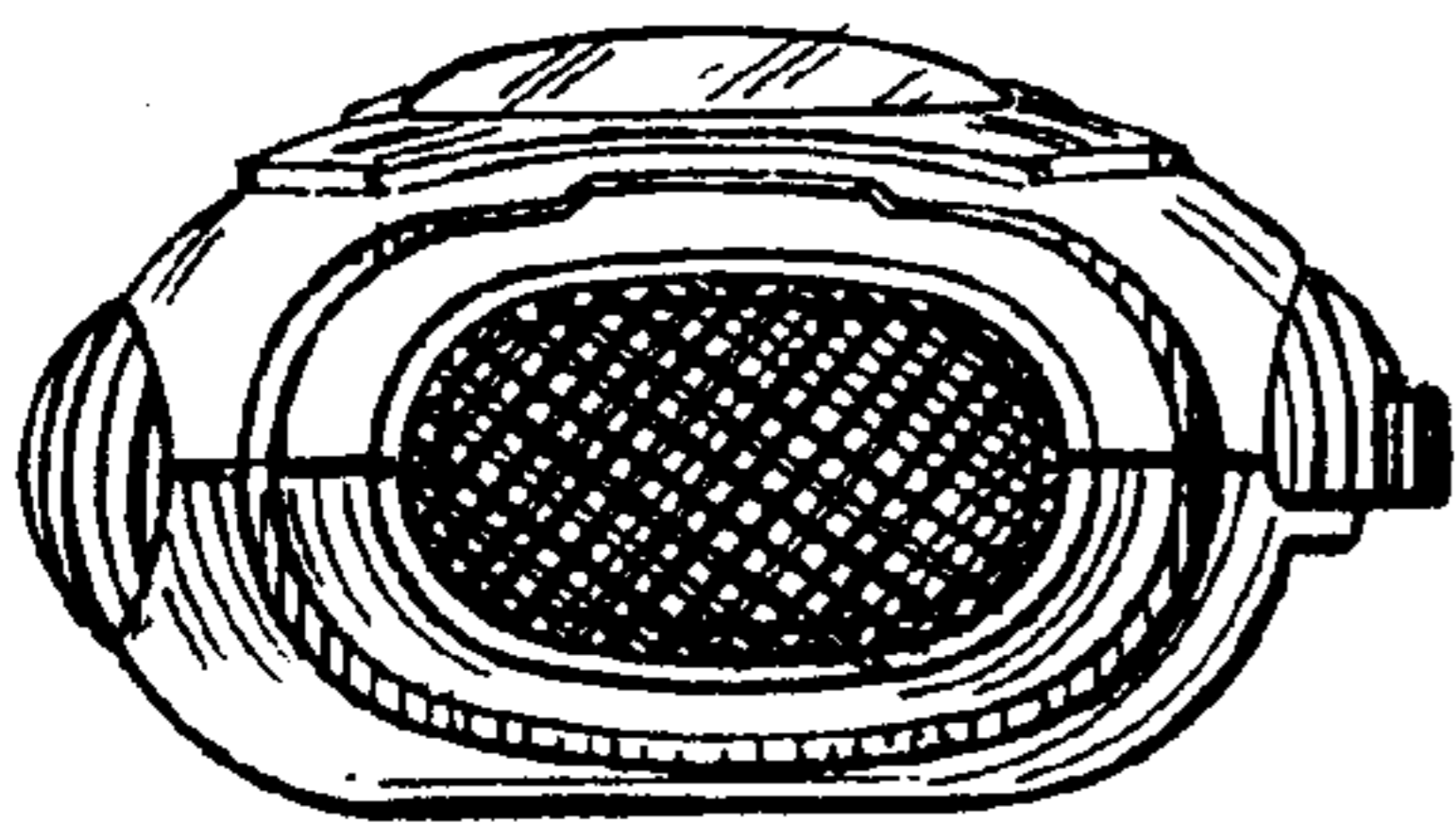
*FIG. 4*



*FIG. 5*



*FIG. 6*



*FIG. 7*

