



US00D471175S

(12) **United States Design Patent**
Lo

(10) **Patent No.:** **US D471,175 S**
(45) **Date of Patent:** **** Mar. 4, 2003**

(54) **WIRELESS PUBLIC ADDRESS SYSTEM**

(75) Inventor: **Henry Lo, TaiChung (TW)**

(73) Assignee: **Ecen Electronics Co., Ltd., TaiChung (TW)**

(**) Term: **14 Years**

(21) Appl. No.: **29/157,858**

(22) Filed: **Mar. 28, 2002**

(51) **LOC (7) Cl.** **14-03**

(52) **U.S. Cl.** **D14/185; D14/214**

(58) **Field of Search** **D14/204, 207, D14/209-216, 356; 181/144-145, 147-148, 150, 153, 157, 198-199; 381/300-302, 306, 333, 345, 361-364, 386-388**

(56) **References Cited**

U.S. PATENT DOCUMENTS

D144,202 S * 3/1946 Loge D14/185
D193,935 S * 10/1962 Neil et al. D14/185

D229,618 S * 12/1973 Teruachi et al. D14/211
D256,118 S * 7/1980 Kornblum D14/214
D379,629 S * 6/1997 Watson et al. D14/214
D421,754 S * 3/2000 Ito et al. D14/214

* cited by examiner

Primary Examiner—Nanda Bondade

(74) *Attorney, Agent, or Firm*—Troxell Law Office PLLC

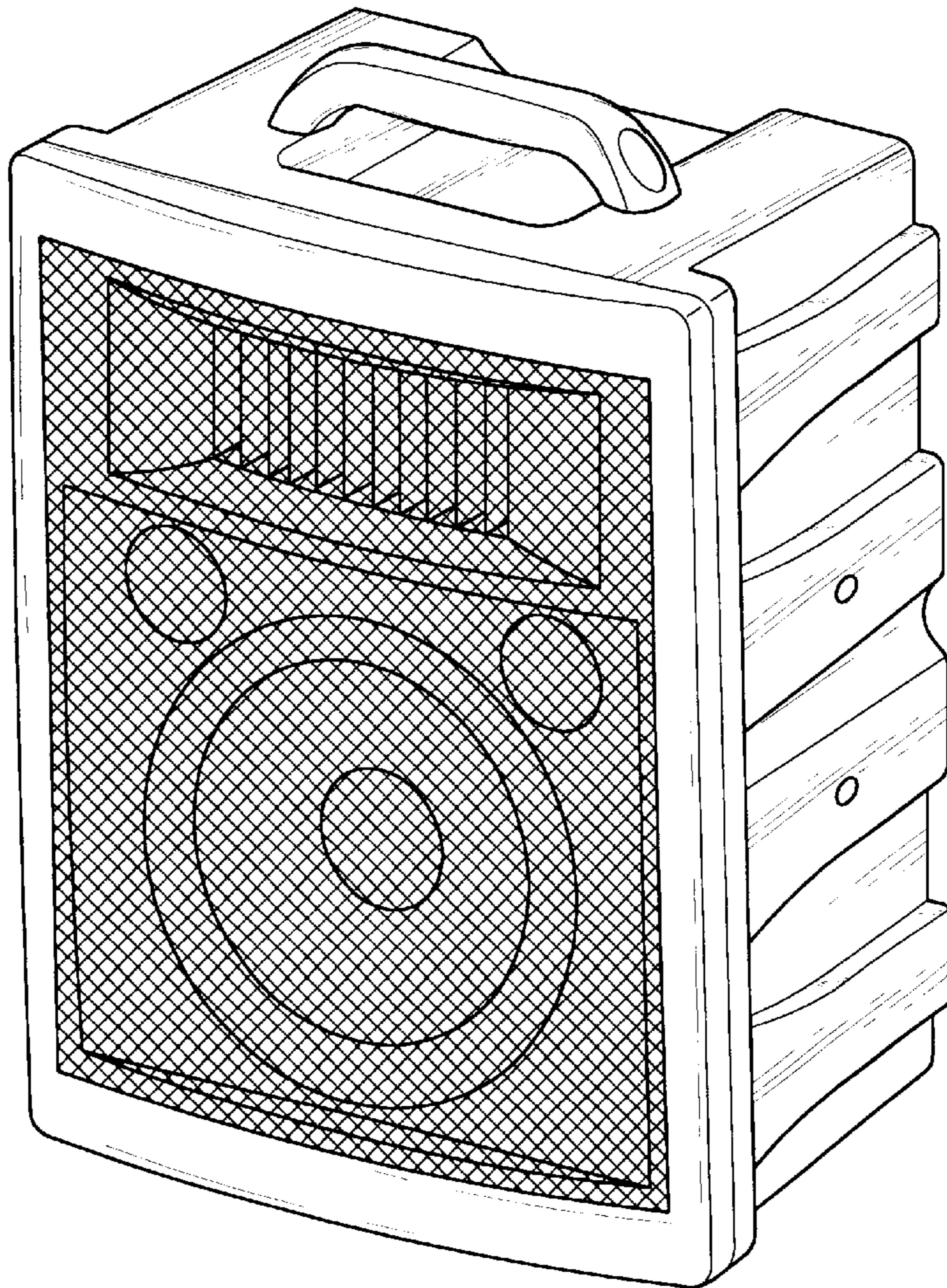
(57) **CLAIM**

The ornamental design for a “wireless public address system”, as shown and described.

DESCRIPTION

FIG. 1 is a perspective view of a “wireless public address system” showing my design;
FIG. 2 is a reduced front elevational view thereof;
FIG. 3 is a rear elevational view thereof;
FIG. 4 is a bottom plan view thereof;
FIG. 5 is a top plan view thereof;
FIG. 6 is a left side elevational view thereof; and,
FIG. 7 is a right side elevational view thereof.

1 Claim, 4 Drawing Sheets



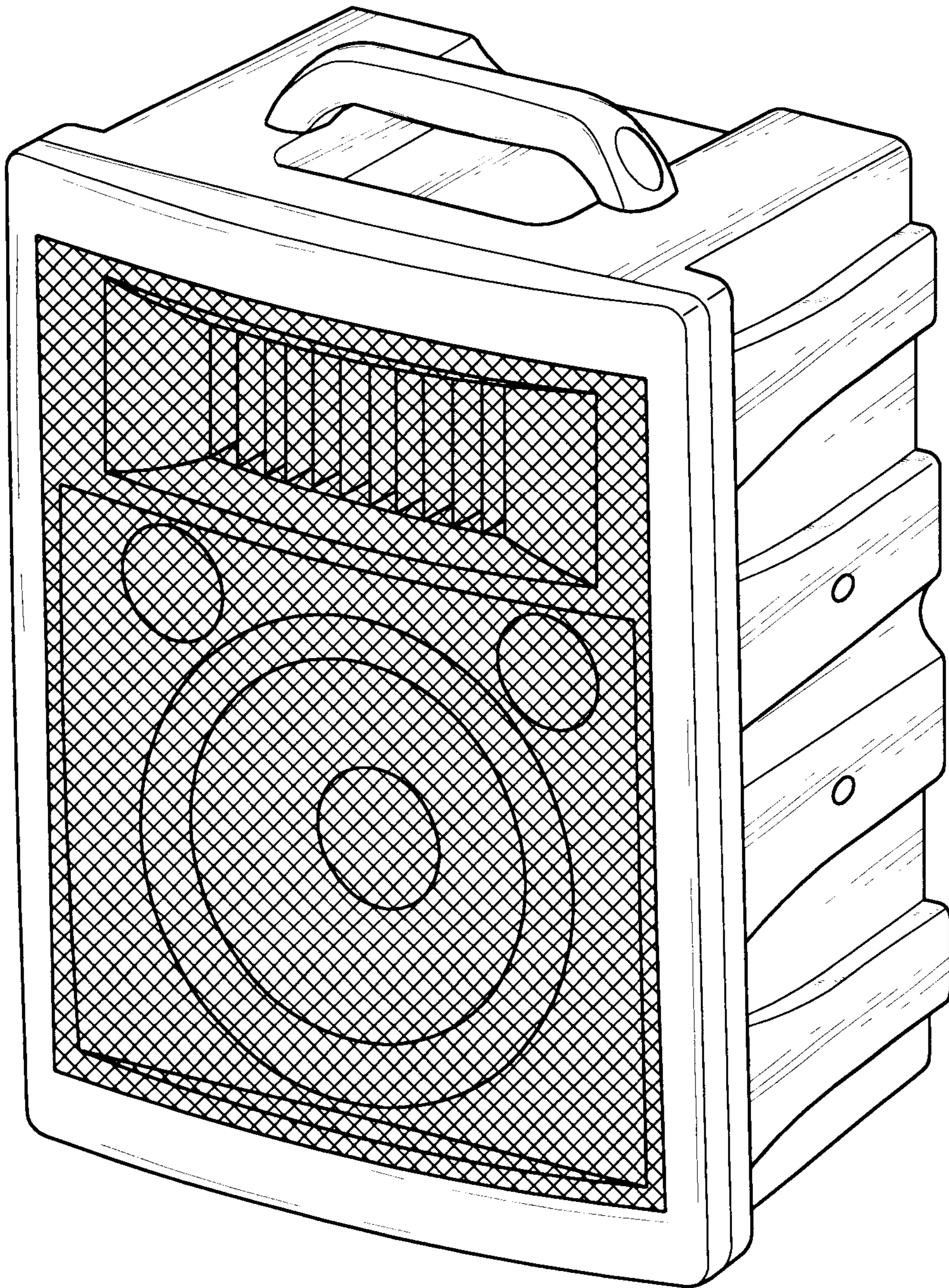


FIG. 1

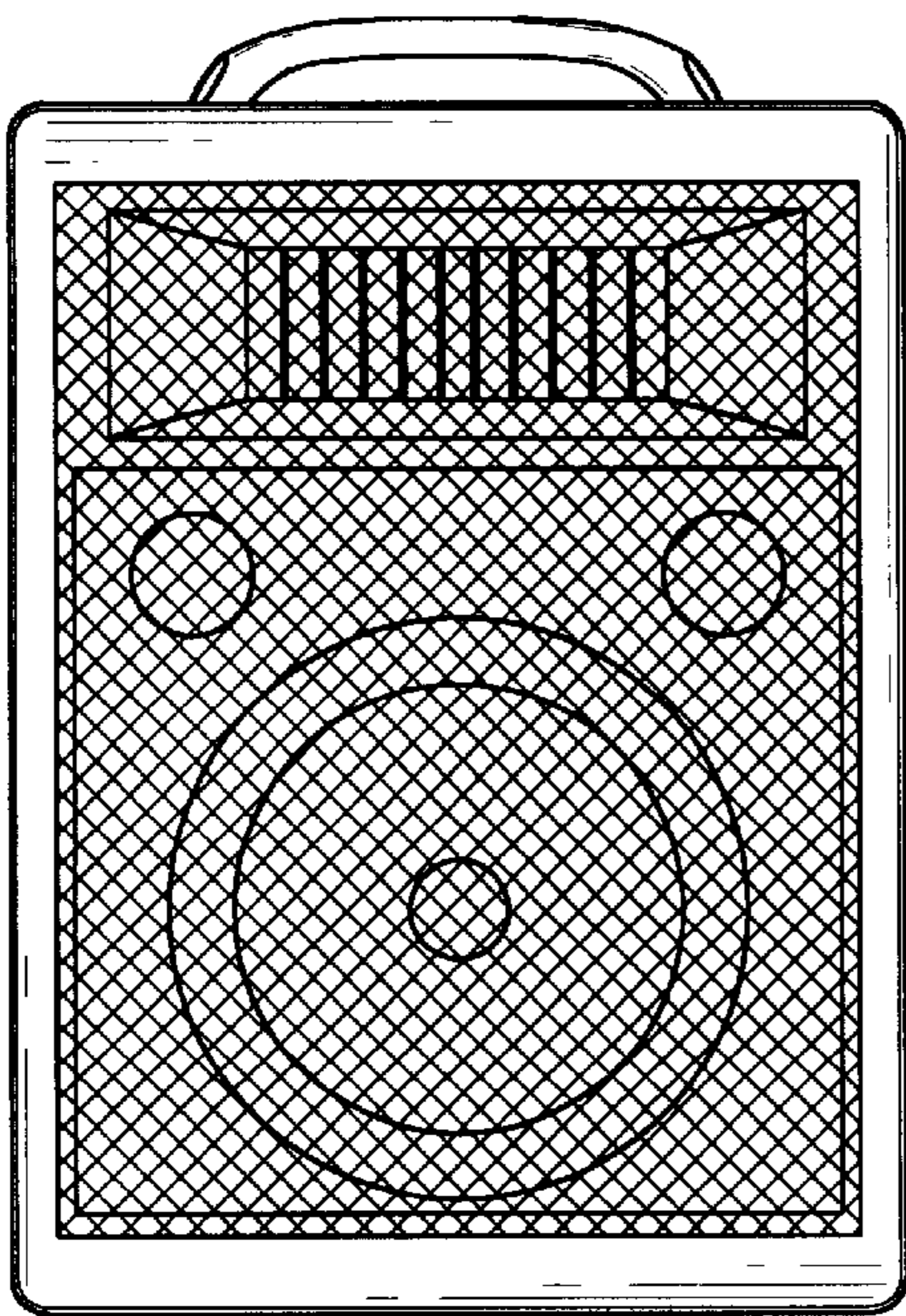


FIG. 2

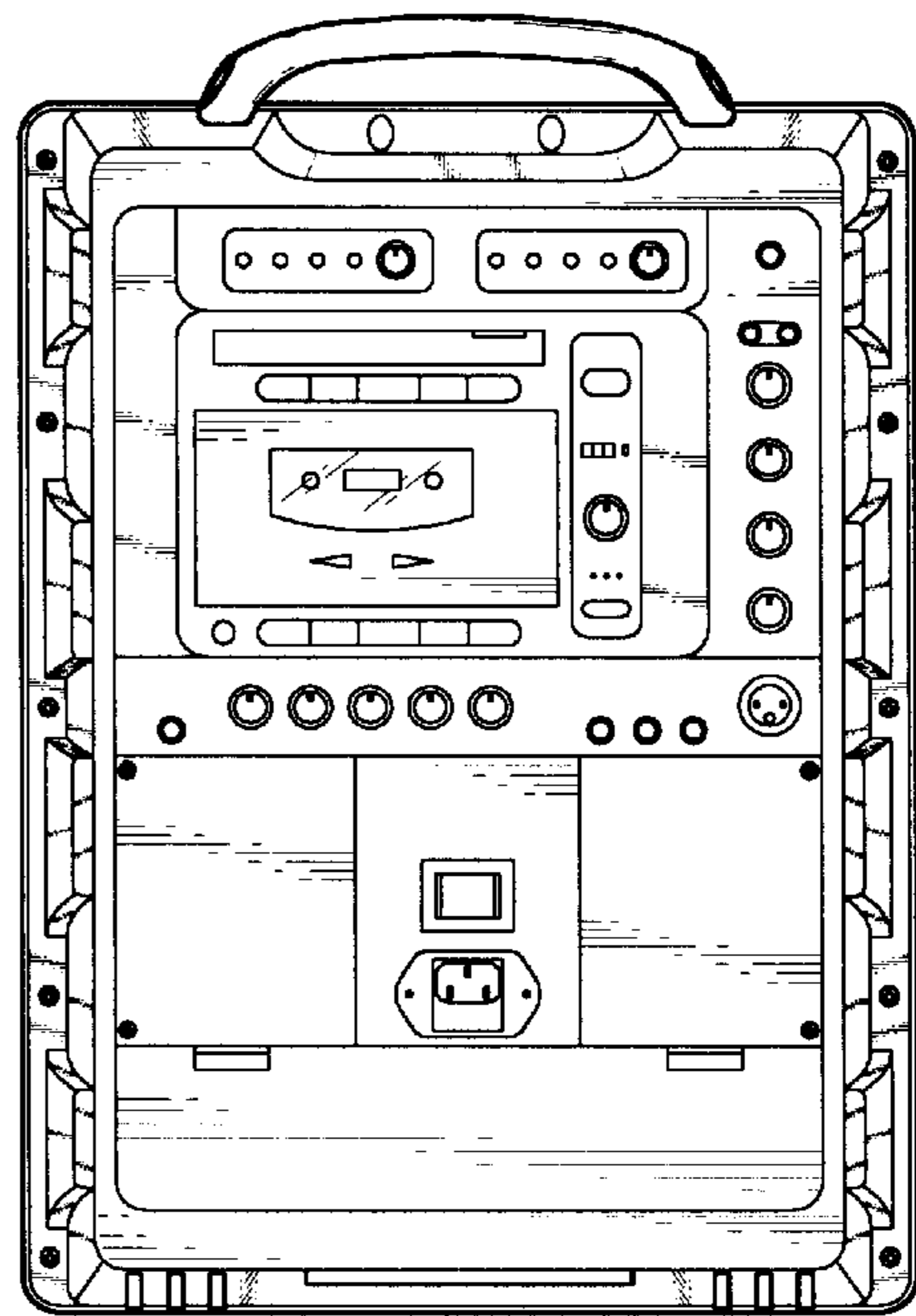


FIG. 3

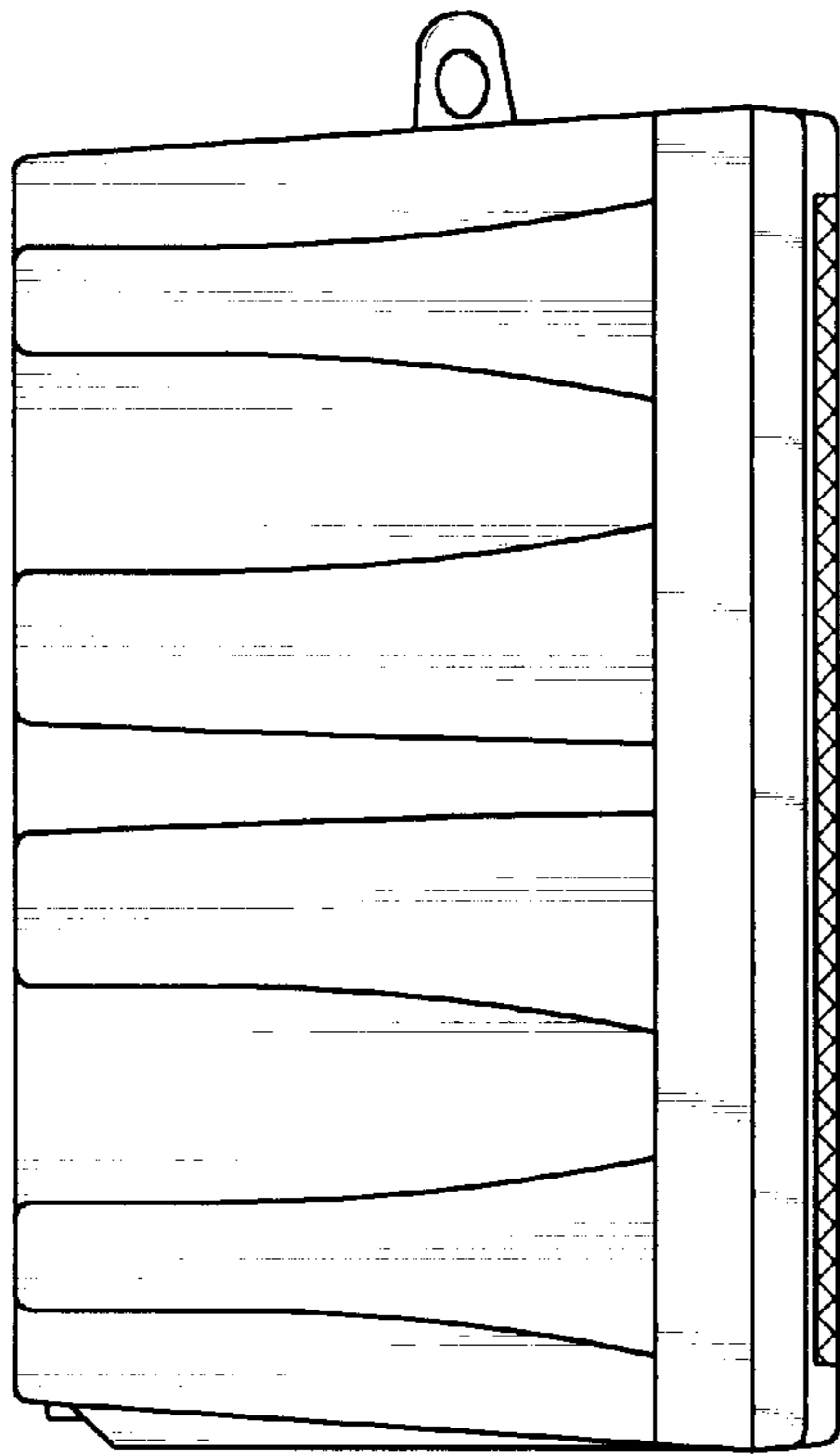


FIG. 4

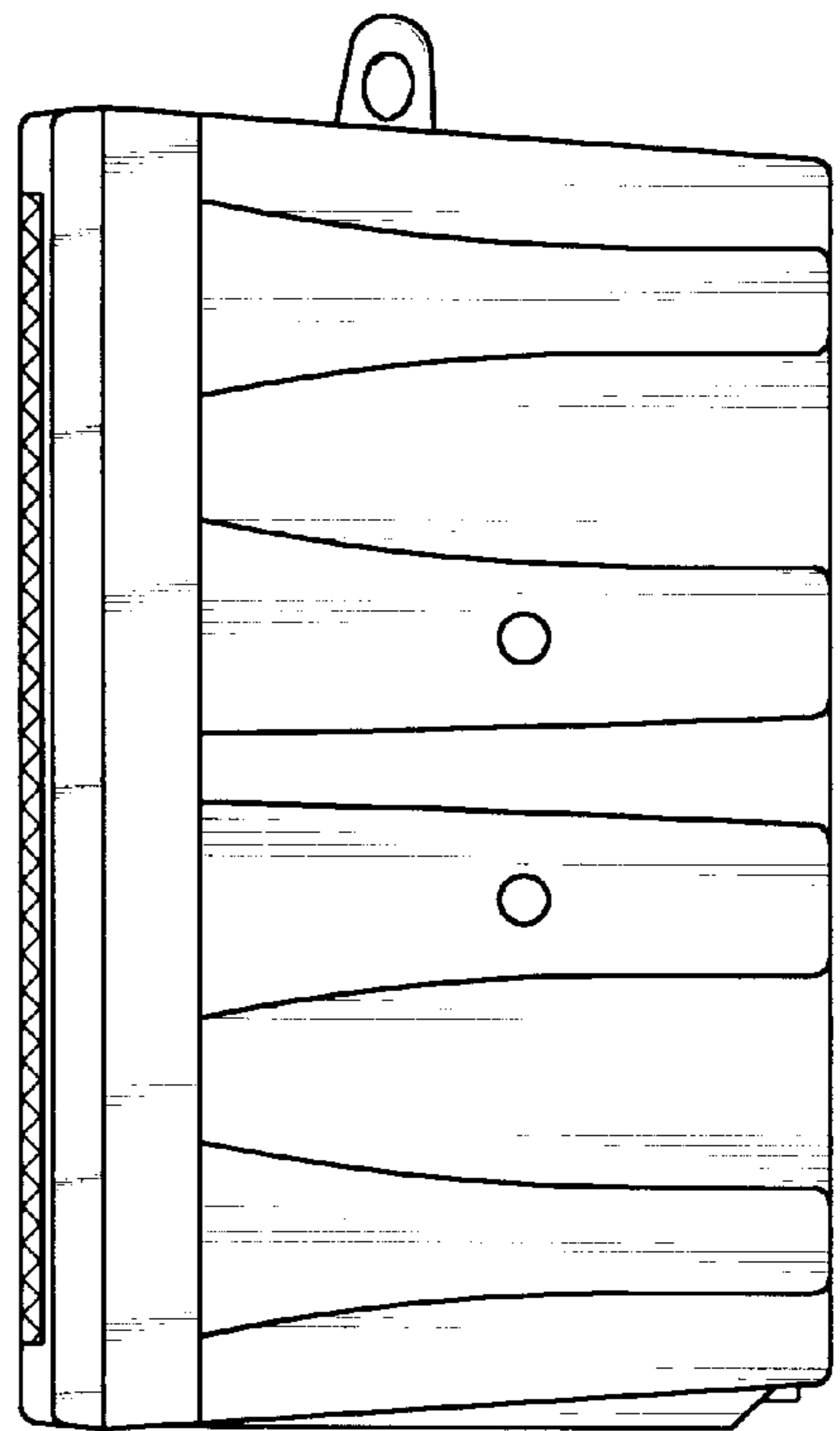


FIG. 5

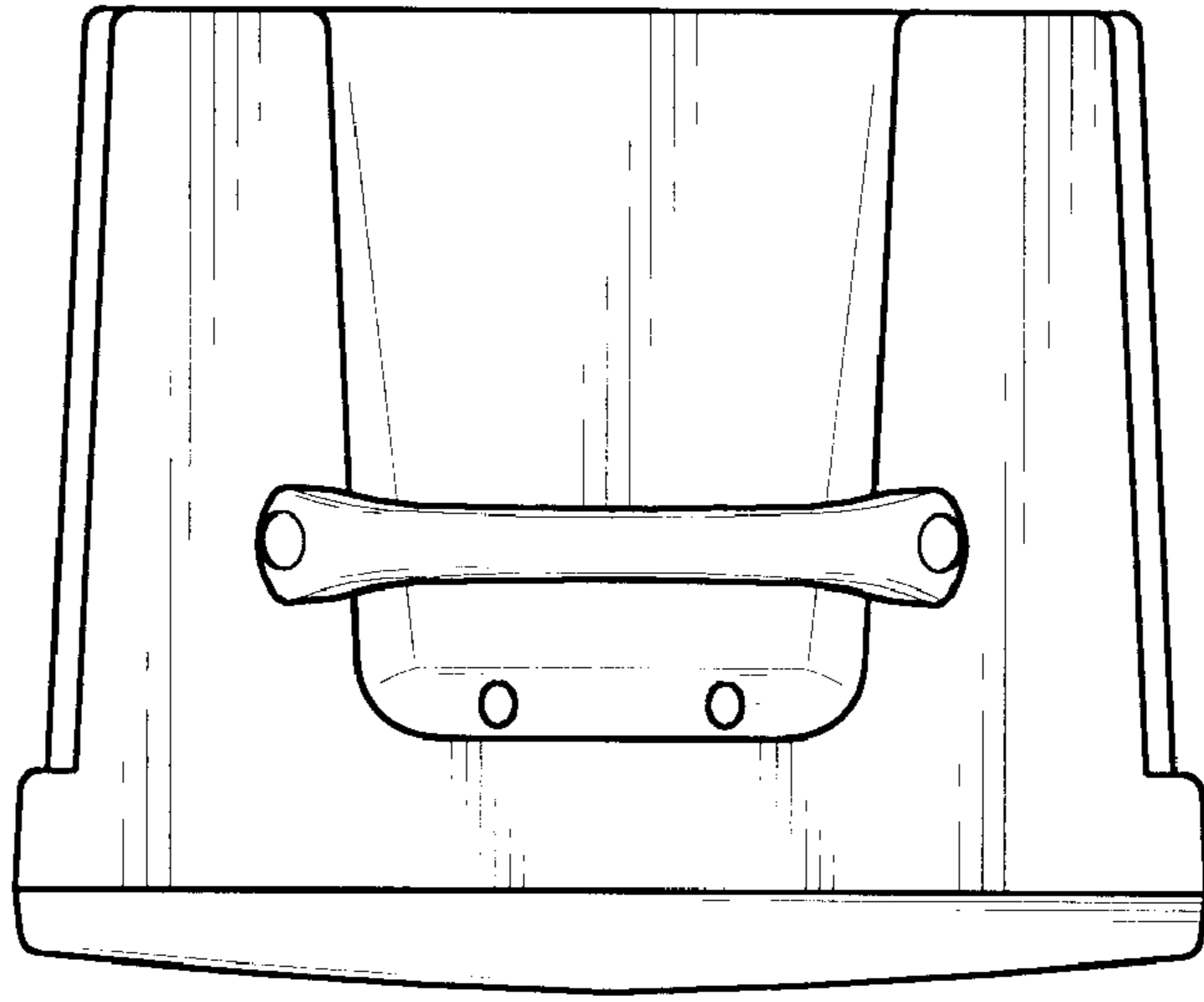


FIG. 6

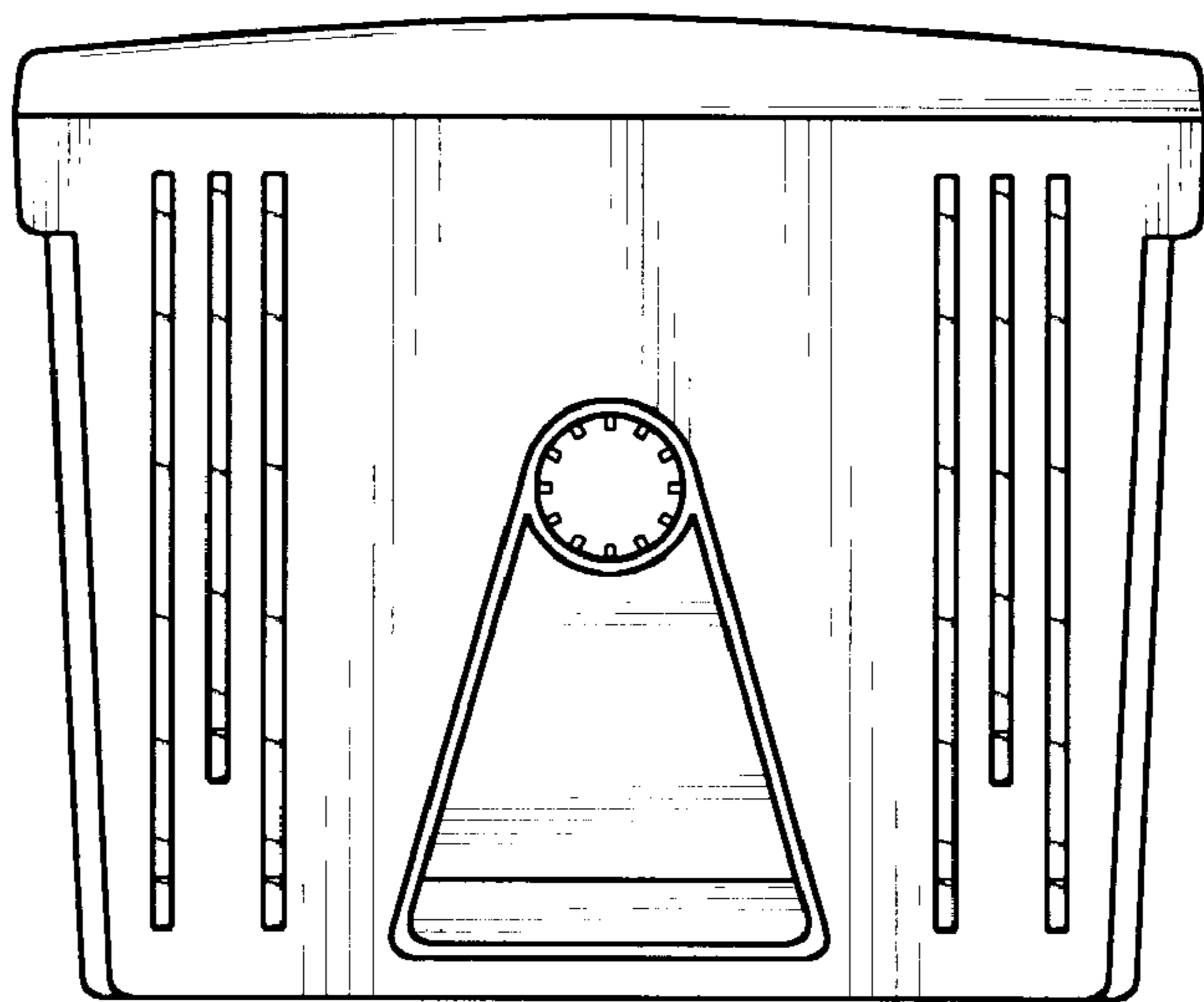


FIG. 7