



US00D471174S

(12) **United States Design Patent**
Tsuge

(10) **Patent No.:** **US D471,174 S**

(45) **Date of Patent:** **** Mar. 4, 2003**

(54) **COMBINED DISC PLAYER AND RADIO RECEIVER**

(75) **Inventor:** **Takahiro Tsuge**, Tokyo (JP)

(73) **Assignee:** **Sony Corporation**, Tokyo (JP)

(**) **Term:** **14 Years**

(21) **Appl. No.:** **29/157,854**

(22) **Filed:** **Mar. 28, 2002**

(51) **LOC (7) Cl.** **14-01**

(52) **U.S. Cl.** **D14/168**

(58) **Field of Search** D14/135-136,
D14/156-157, 167-168, 188, 193-198,
257-258; 369/75.1, 75.2, 77.1, 77.2; 455/344,
347, 350-351

(56) **References Cited**

U.S. PATENT DOCUMENTS

D331,238 S	*	11/1992	Lewis	D14/168
D404,033 S	*	1/1999	Fong	D14/171
D416,900 S	*	11/1999	Yamada	D14/168
D421,009 S		2/2000	Shintani et al.		
D430,550 S	*	9/2000	Nakajima et al.	D14/156
D431,547 S		10/2000	Mirone		
D443,601 S		6/2001	Hattori		

OTHER PUBLICATIONS

Home page, "Pioneer, System Audio X-NSI" <http://www.pioneer.co.jp/av-sys/x-ns1.html>, p. 1, Pioneer Corporation (Oct. 2001).

Catalog, Sony Radio/Tape Recorder/IC Recorder, ZS-D55, ZS-2000, pp. 24 & 25, Sony Corporation (Nov. 2001).

* cited by examiner

Primary Examiner—Nanda Bondade

(74) *Attorney, Agent, or Firm*—Rader, Fishman & Grauer PLLC

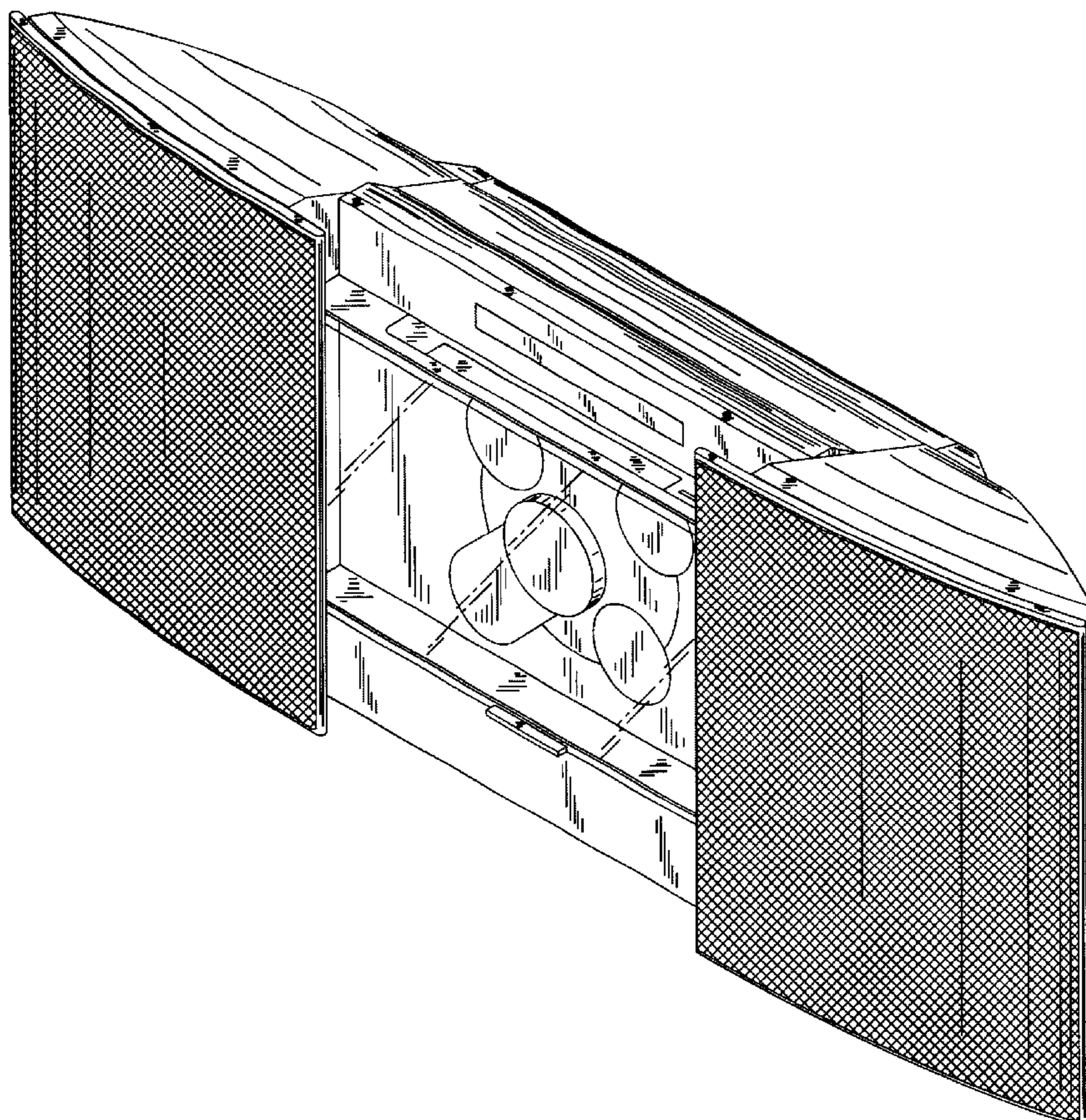
(57) **CLAIM**

The ornamental design for a combined disc player and radio receiver, as shown and described.

DESCRIPTION

FIG. 1 is a perspective view of a combined disc player and radio receiver showing my new design; FIG. 2 is a front elevational view thereof; FIG. 3 is a rear elevational view thereof; FIG. 4 is a left side elevational view thereof; FIG. 5 is a right side elevational view thereof; FIG. 6 is a top plan view thereof; and, FIG. 7 is a bottom plan view thereof.

1 Claim, 4 Drawing Sheets



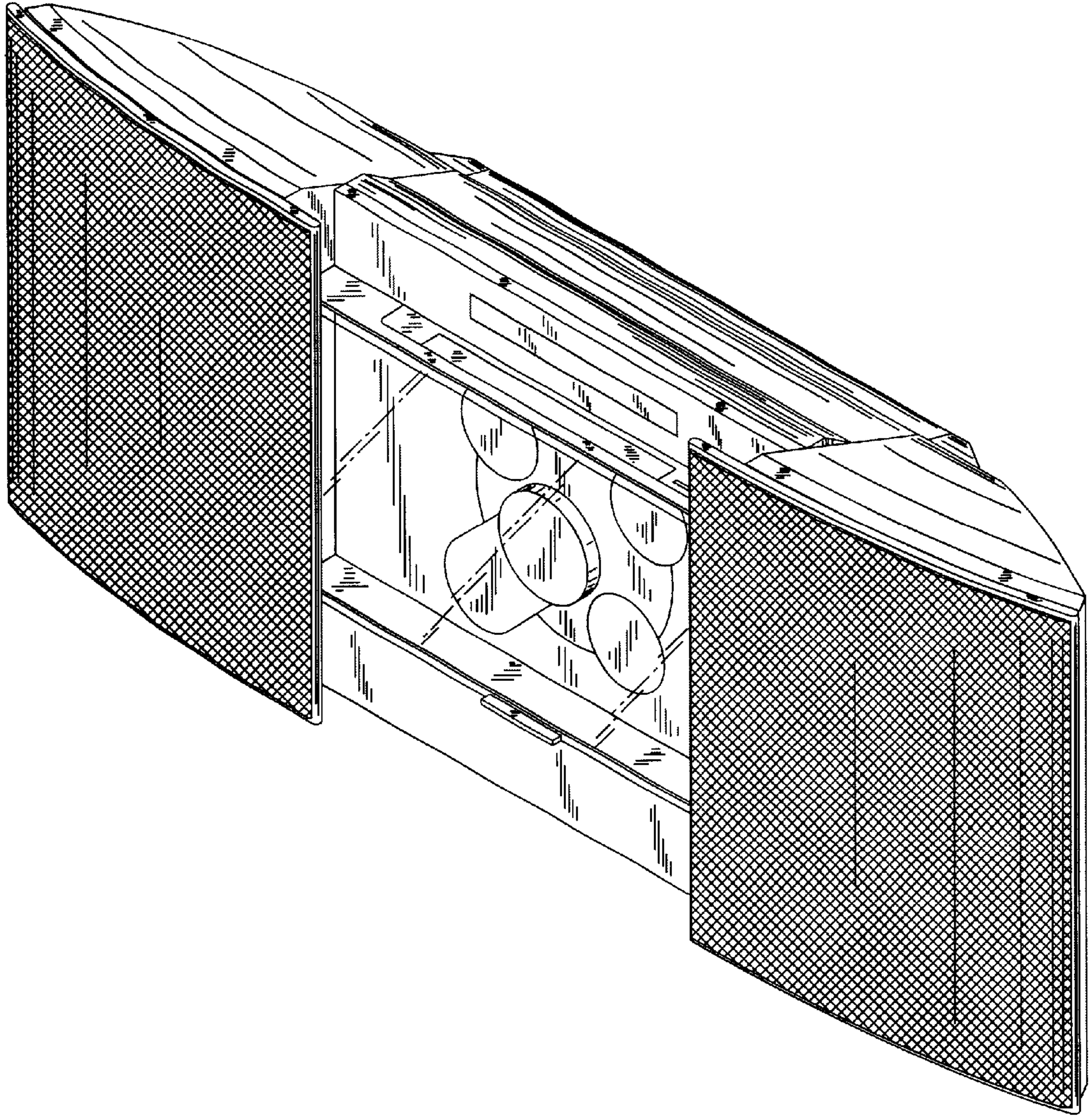


Fig. 1

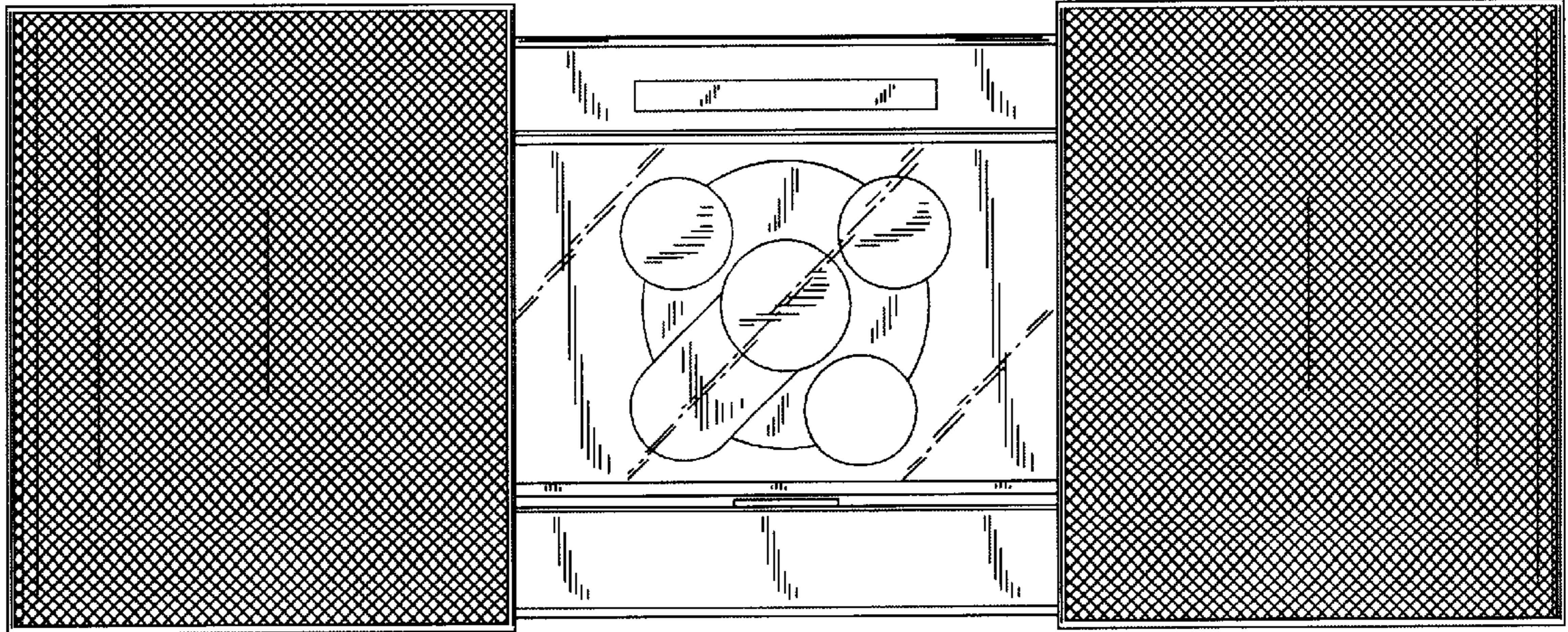


Fig. 2

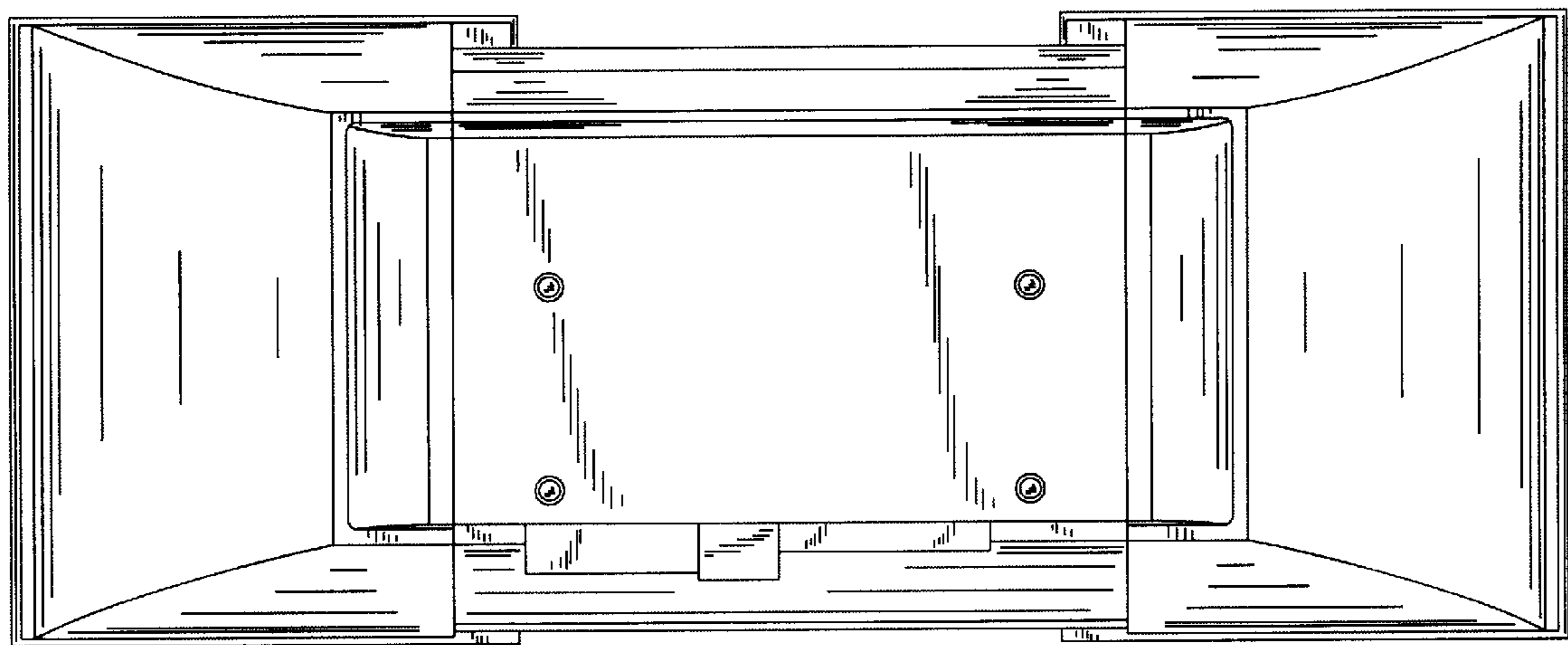


Fig. 3

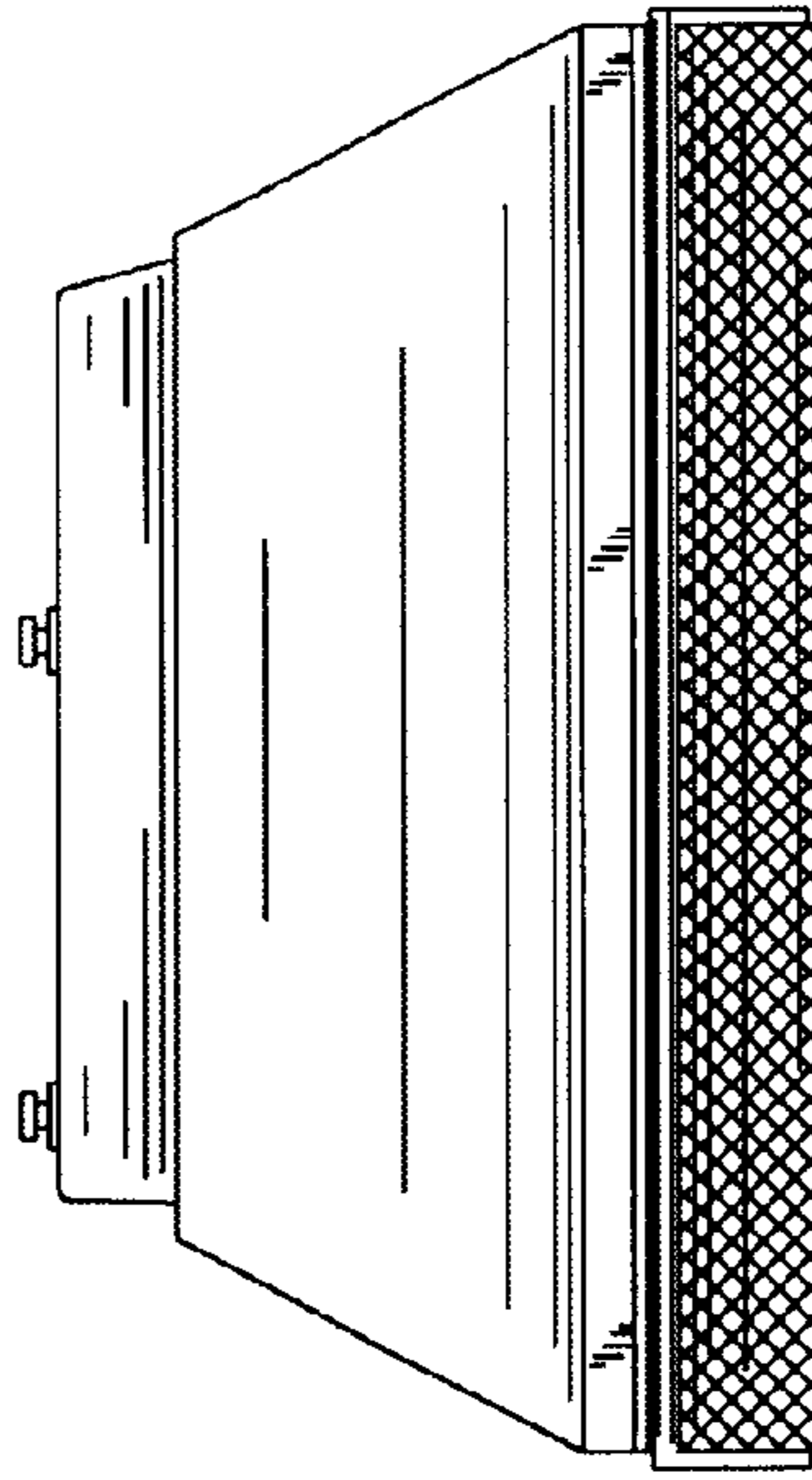


Fig. 4

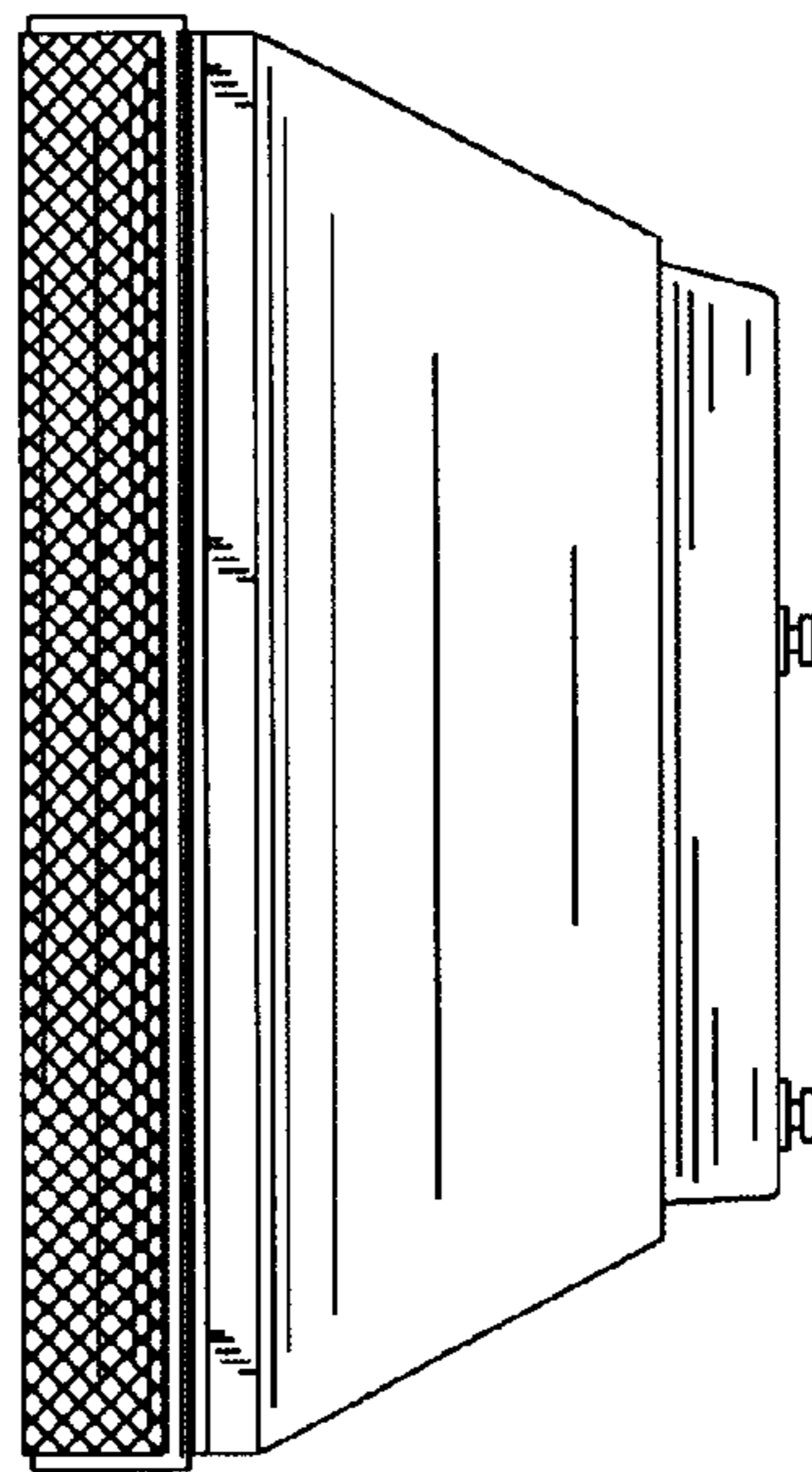


Fig. 5

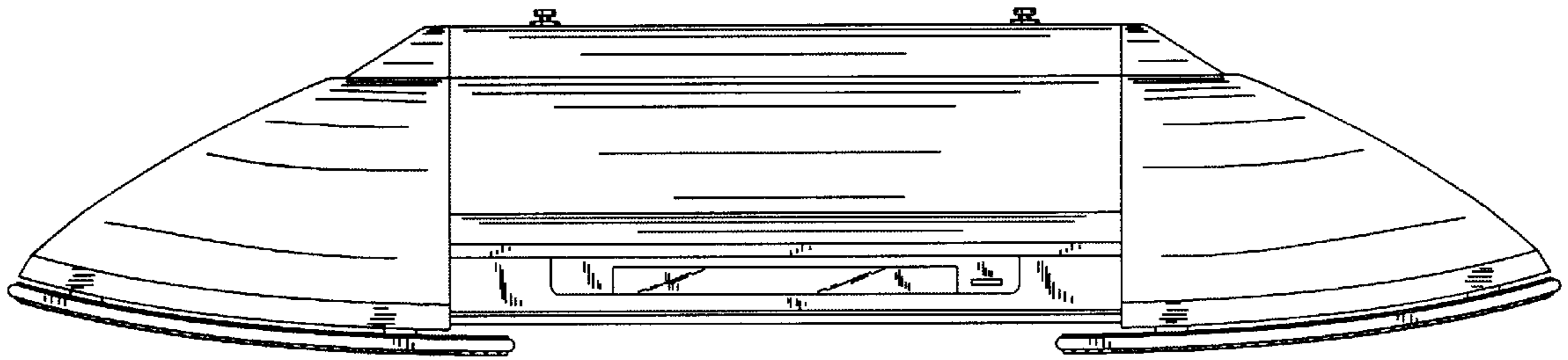


Fig. 6

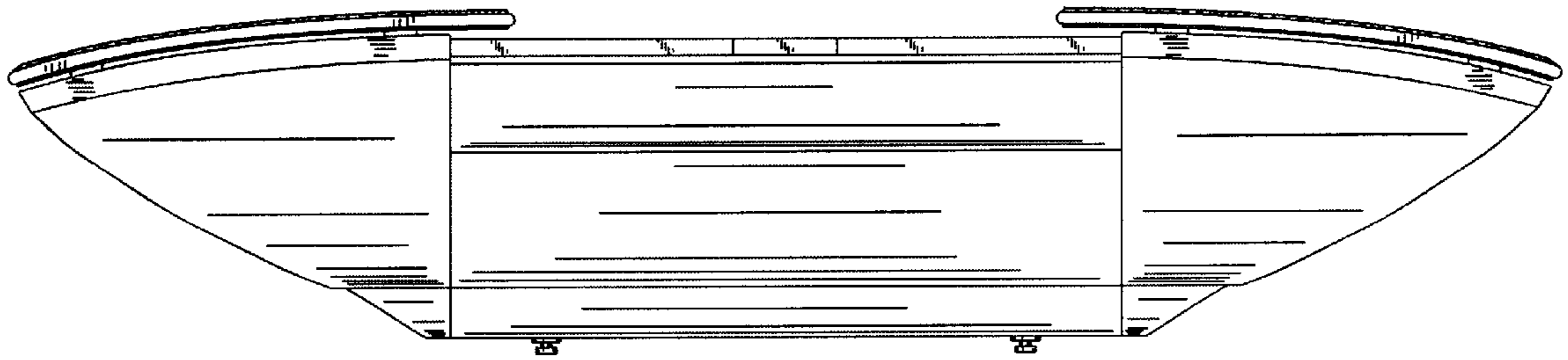


Fig. 7