



US00D471171S

(12) **United States Design Patent**
Yamanouchi et al.

(10) **Patent No.:** **US D471,171 S**

(45) **Date of Patent:** **** Mar. 4, 2003**

(54) **TELEPHONE**

(75) Inventors: **Toshiyuki Yamanouchi**, Yokohama-chi (JP); **Koji Nagase**, Hachioji (JP)

(73) Assignee: **Kabushiki Kaisha Toshiba**, Tokyo (JP)

(**) Term: **14 Years**

(21) Appl. No.: **29/160,254**

(22) Filed: **May 8, 2002**

(30) **Foreign Application Priority Data**

Dec. 25, 2001 (JP) 2001-037867

(51) **LOC (7) Cl.** **14-03**

(52) **U.S. Cl.** **D14/151**

(58) **Field of Search** D14/434, 329, D14/330, 447, 148, 147, 149-151, 140-142, 240, 241, 251, 253, 130; 379/420.01, 420.02, 420.03, 419, 420.04, 428.02, 428.01, 428.04, 428.03, 454, 440, 446, 434-436; D13/107, 108; 320/110, 113, 114, 115

(56) **References Cited**

U.S. PATENT DOCUMENTS

D257,772 S	*	1/1981	Fukutani	D14/151
D270,836 S	*	10/1983	Breger	D14/151
D273,108 S	*	3/1984	Breger	D14/151
D287,361 S	*	12/1986	Sekiguchi et al.	D14/151
D298,130 S	*	10/1988	Komatsu	D14/151
D303,386 S	*	9/1989	Iino	D14/142
D307,145 S	*	4/1990	Oshima et al.	D14/241
5,121,427 A	*	6/1992	Gumb et al.	379/435
D328,295 S	*	7/1992	Gagnon et al.	D14/142
D328,296 S	*	7/1992	Yan	D14/151
D342,252 S	*	12/1993	Akatsu et al.	D14/151
D345,557 S	*	3/1994	Akatsu et al.	D14/151

D387,056 S		12/1997	Yoneyama	
D389,145 S		1/1998	Yoneyama	
D395,308 S	*	6/1998	Yoneyama D14/151
D412,330 S	*	7/1999	Shigemura D14/151
D426,535 S	*	6/2000	Zeitman D14/151
D433,399 S	*	11/2000	Seki et al. D14/151
D445,772 S	*	7/2001	Fitzgerald D14/151
D452,489 S	*	12/2001	Nagase D14/151
D457,509 S	*	5/2002	Ohwada et al. D14/151
D458,599 S		6/2002	Nagase	
D460,954 S	*	7/2002	Shen et al. D14/151

FOREIGN PATENT DOCUMENTS

JP	1012054	6/1998
JP	1037064	4/1999
JP	1076291	6/2000
JP	1090067	11/2000
JP	1091334	11/2000

* cited by examiner

Primary Examiner—Jeffrey Asch

(74) *Attorney, Agent, or Firm*—Banner & Witcoff, Ltd.

(57) **CLAIM**

The ornamental design for a telephone, as shown and described.

DESCRIPTION

FIG. 1 is a top, front and right side perspective view of a telephone showing our new design, FIG. 2 is a front elevational view thereof, FIG. 3 is a top plan view thereof, FIG. 4 is a bottom plan view thereof, FIG. 5 is a right side elevational view thereof, FIG. 6 is a left side elevational view thereof; and, FIG. 7 is a rear elevational view thereof.

1 Claim, 4 Drawing Sheets

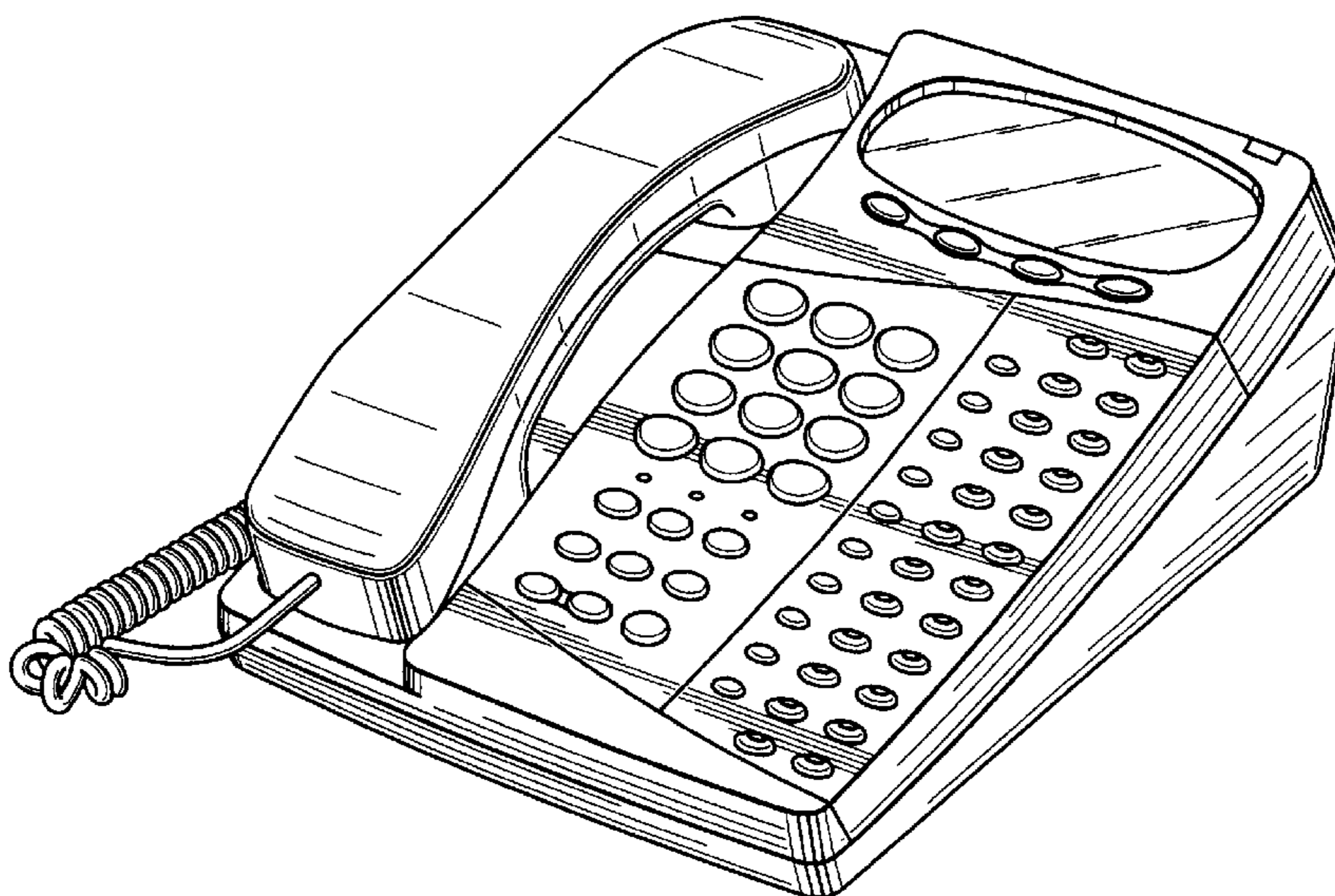


FIG. 1

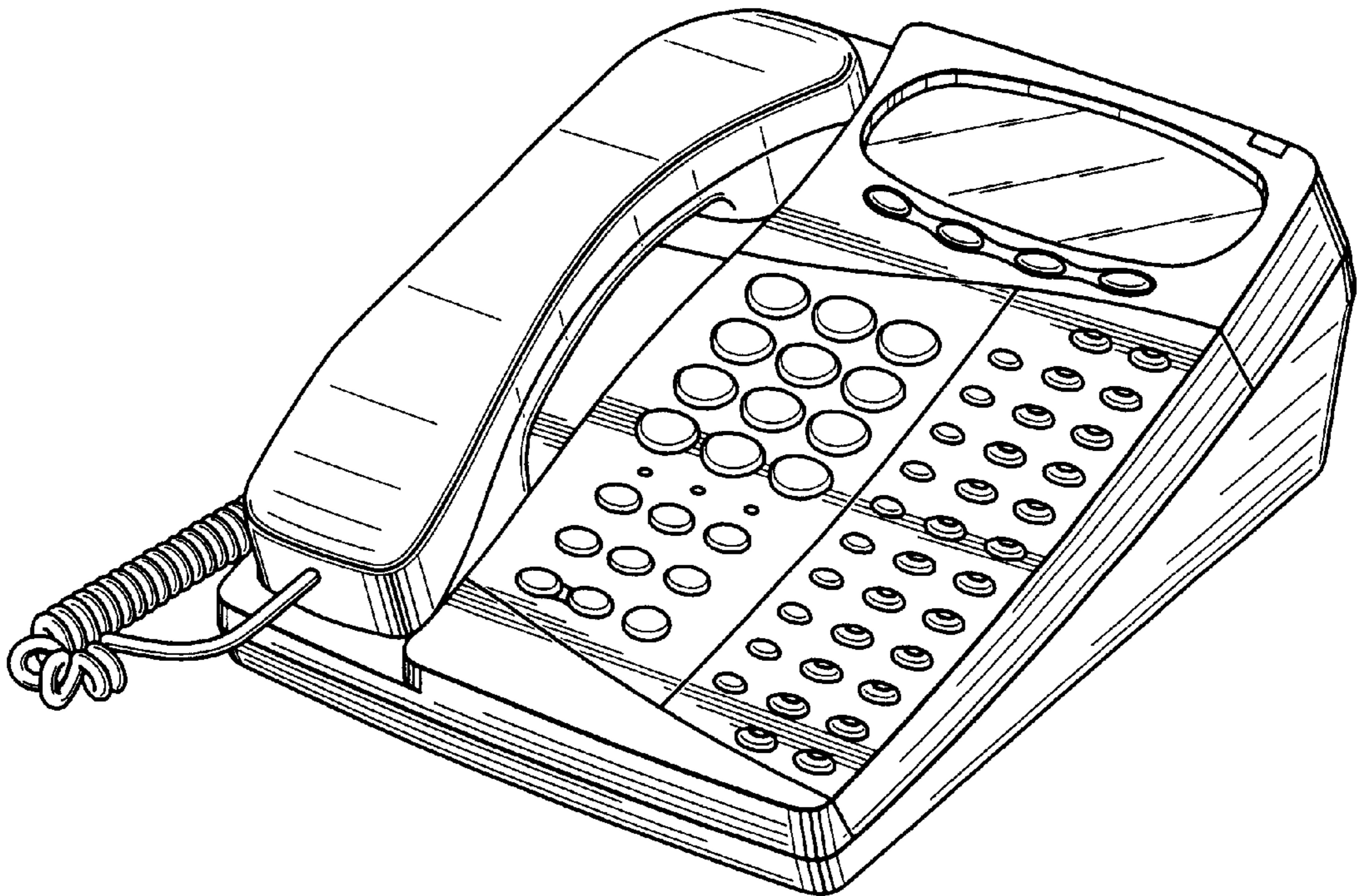


FIG. 2

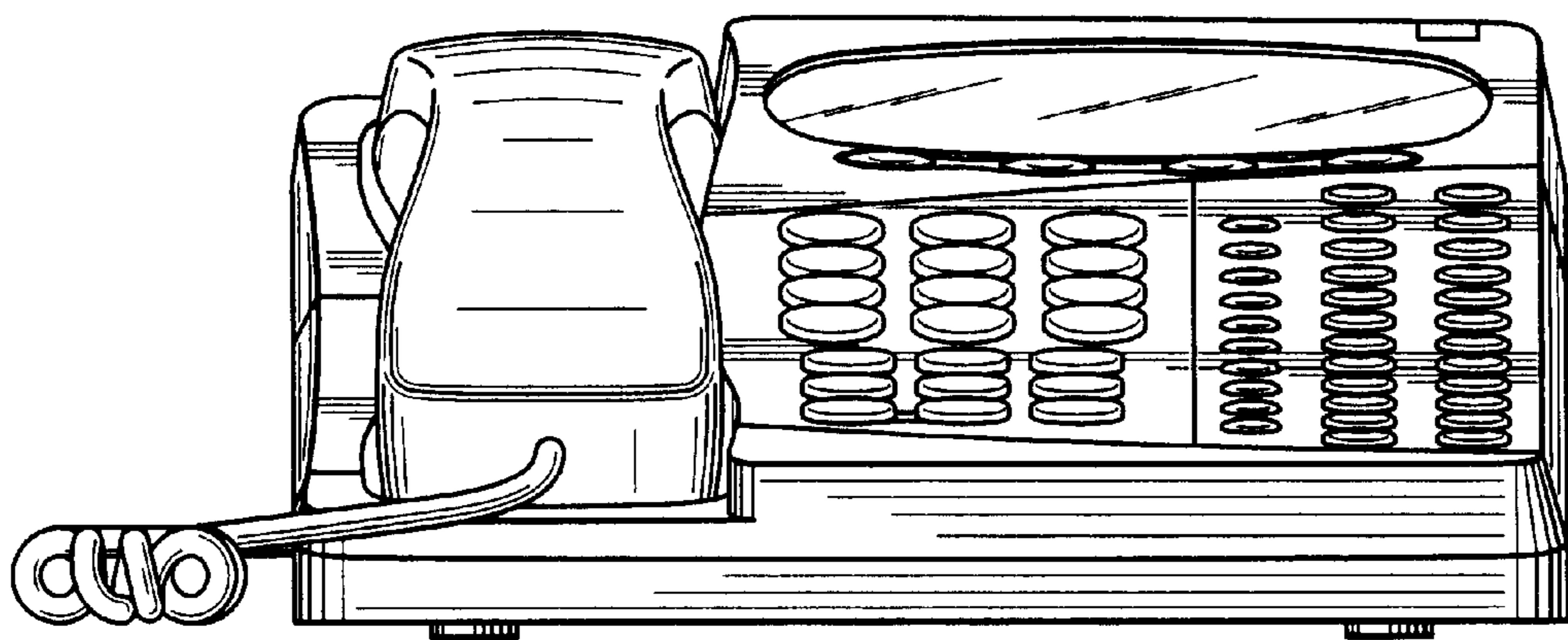


FIG. 3

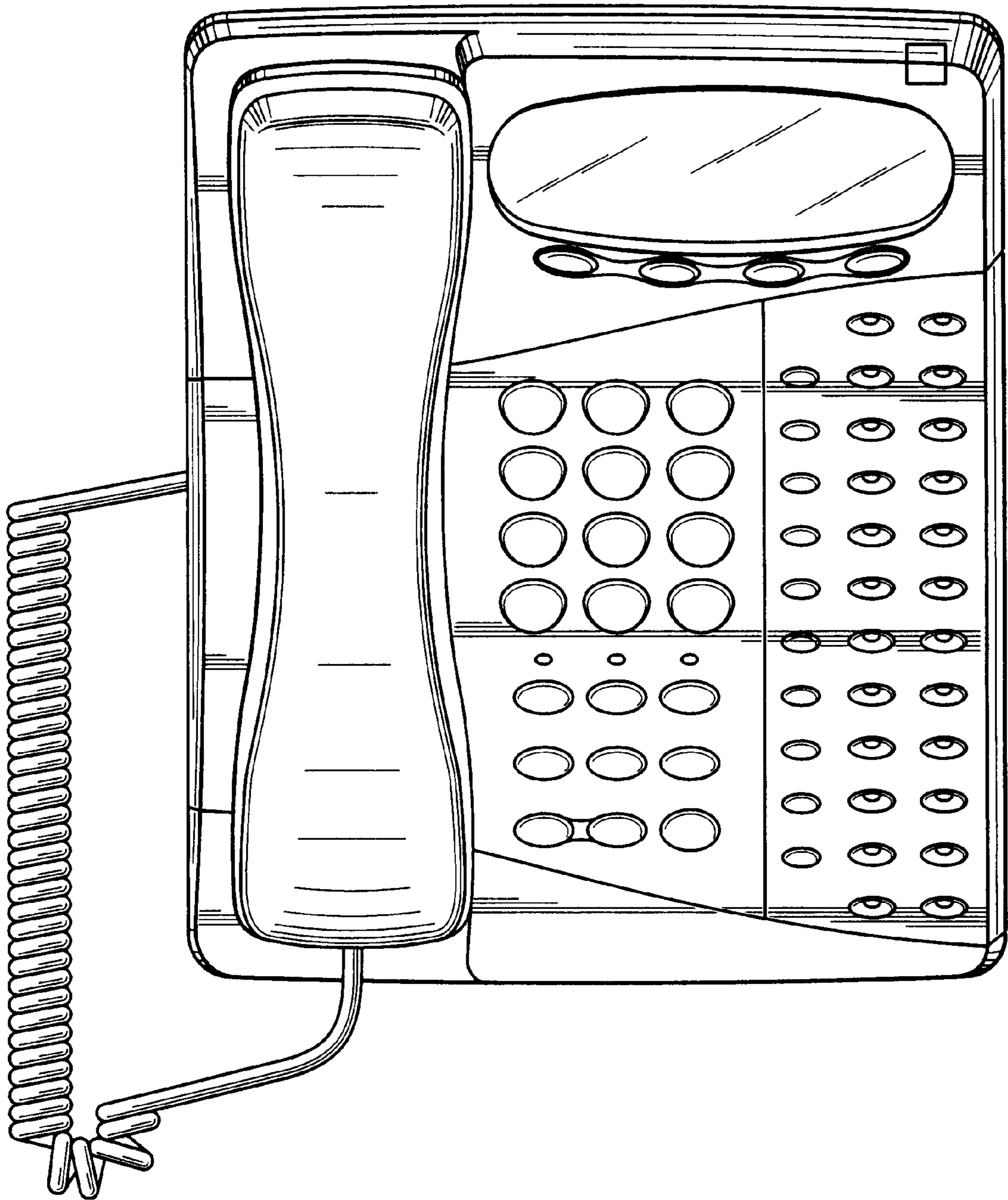


FIG. 4

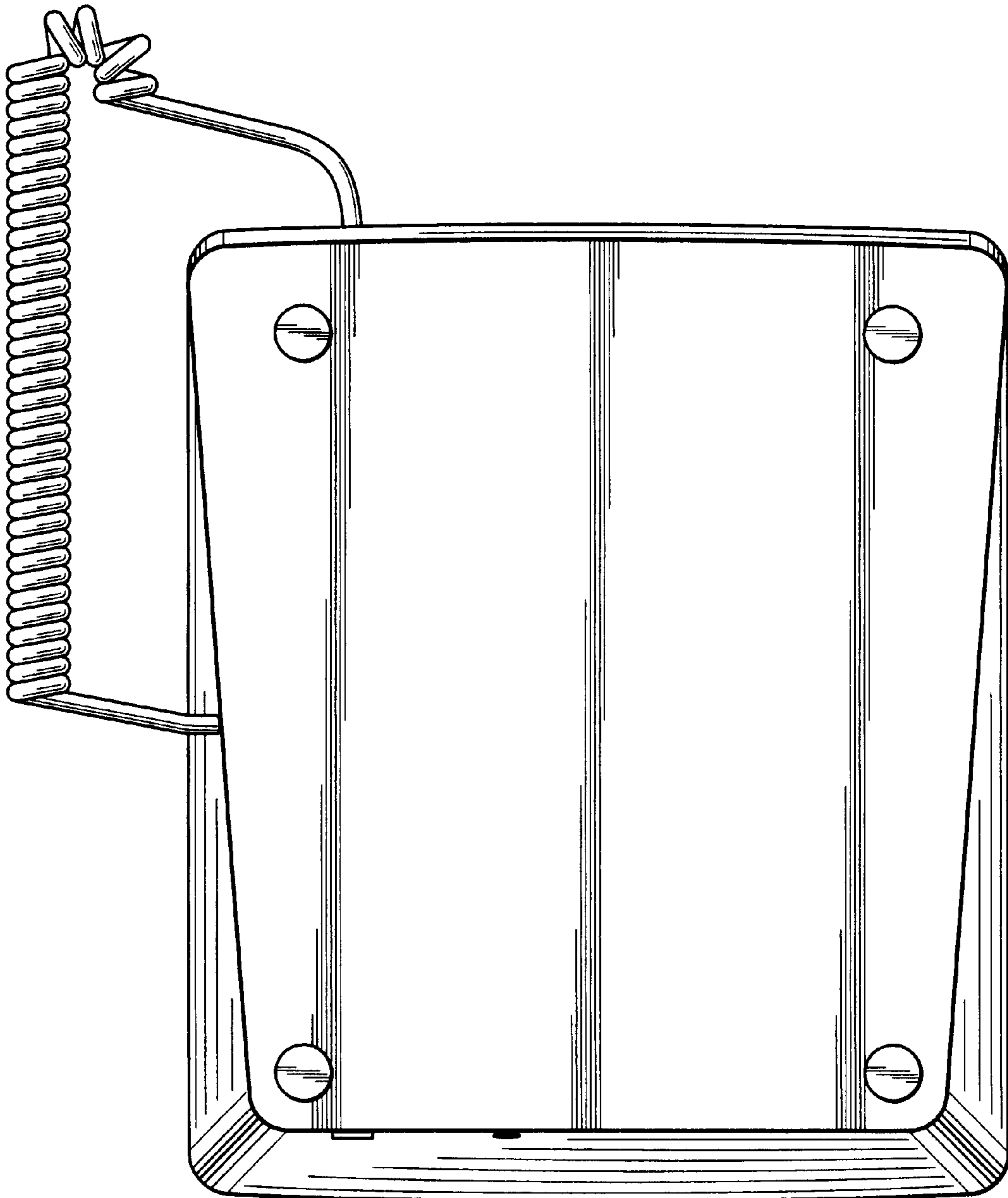


FIG. 5

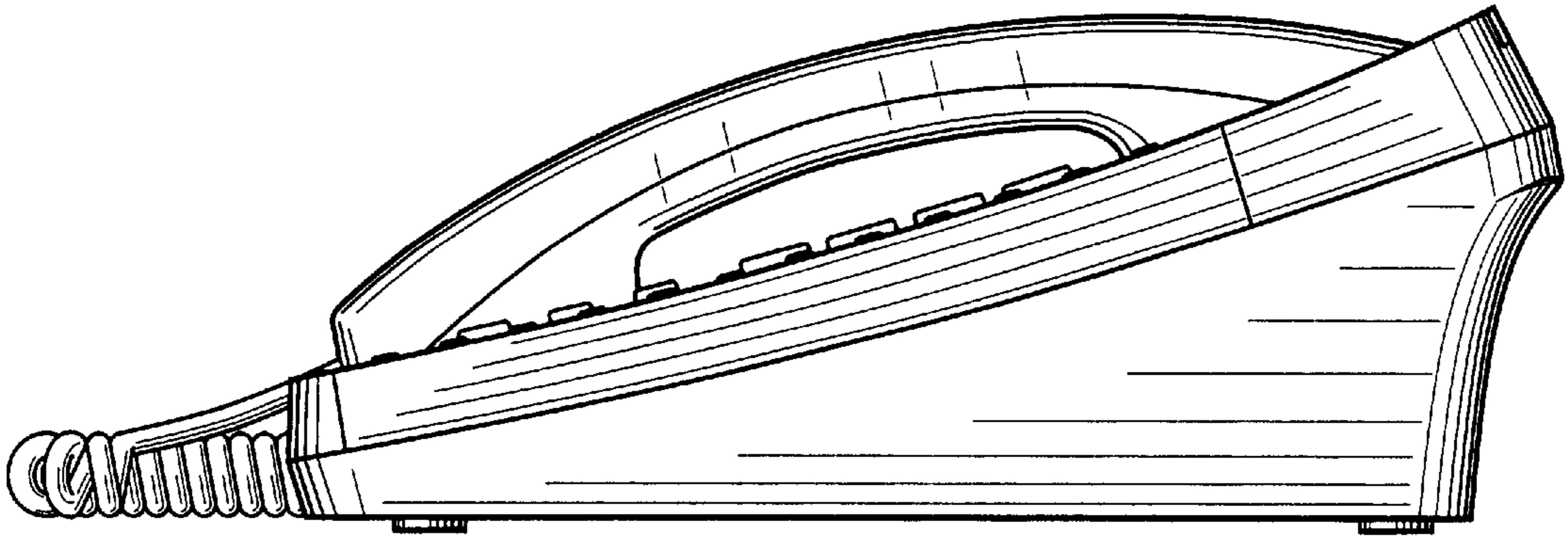


FIG. 6

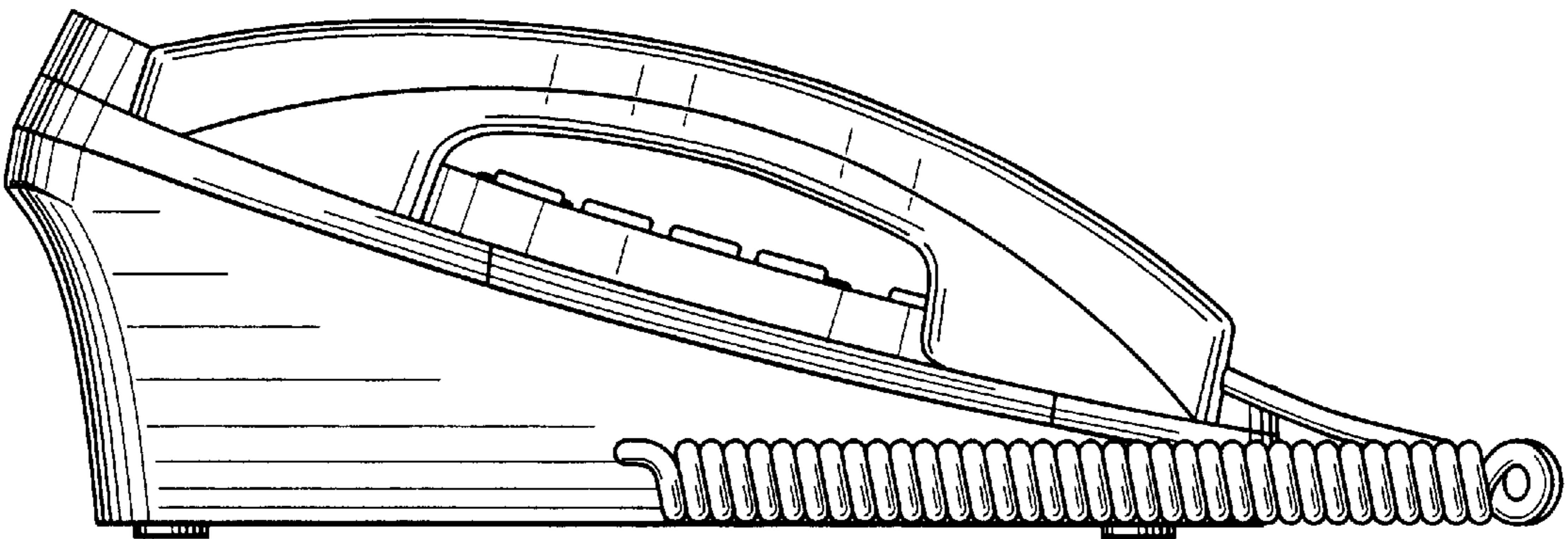


FIG. 7

