



US00D471169S

(12) **United States Design Patent**
Izu et al.

(10) **Patent No.:** **US D471,169 S**

(45) **Date of Patent:** **** Mar. 4, 2003**

(54) **TELEVISION SET**

D457,507 S * 5/2002 Lim et al. D14/133

(75) Inventors: **Yuichi Izu**, Kawasaki (JP); **Hiroki Sugiyama**, Mishima (JP); **Hiroshi Onoda**, Suginami-ku (JP)

FOREIGN PATENT DOCUMENTS

JP 852807 10/1993

OTHER PUBLICATIONS

(73) Assignee: **Kabushiki Kaisha Toshiba**, Tokyo (JP)

“Telefunken”, Catalog of Television 30L.

(**) Term: **14 Years**

* cited by examiner

(21) Appl. No.: **29/160,930**

Primary Examiner—Raphael Barkai

(22) Filed: **May 15, 2002**

(74) *Attorney, Agent, or Firm*—Oblon, Spivak, McClelland, Maier & Neustadt, P.C.

(30) **Foreign Application Priority Data**

Nov. 19, 2001 (JP) 2001-033800

(57) **CLAIM**

(51) **LOC (7) Cl.** **14-03**

The ornamental design for a television set, as shown and described.

(52) **U.S. Cl.** **D14/126**

DESCRIPTION

(58) **Field of Search** D14/125–136,
D14/239, 371, 374–382; 312/7.2; 348/836,
838, 180, 184, 325, 739; 248/917–924;
341/12; 345/104, 133, 156, 168, 87, 173

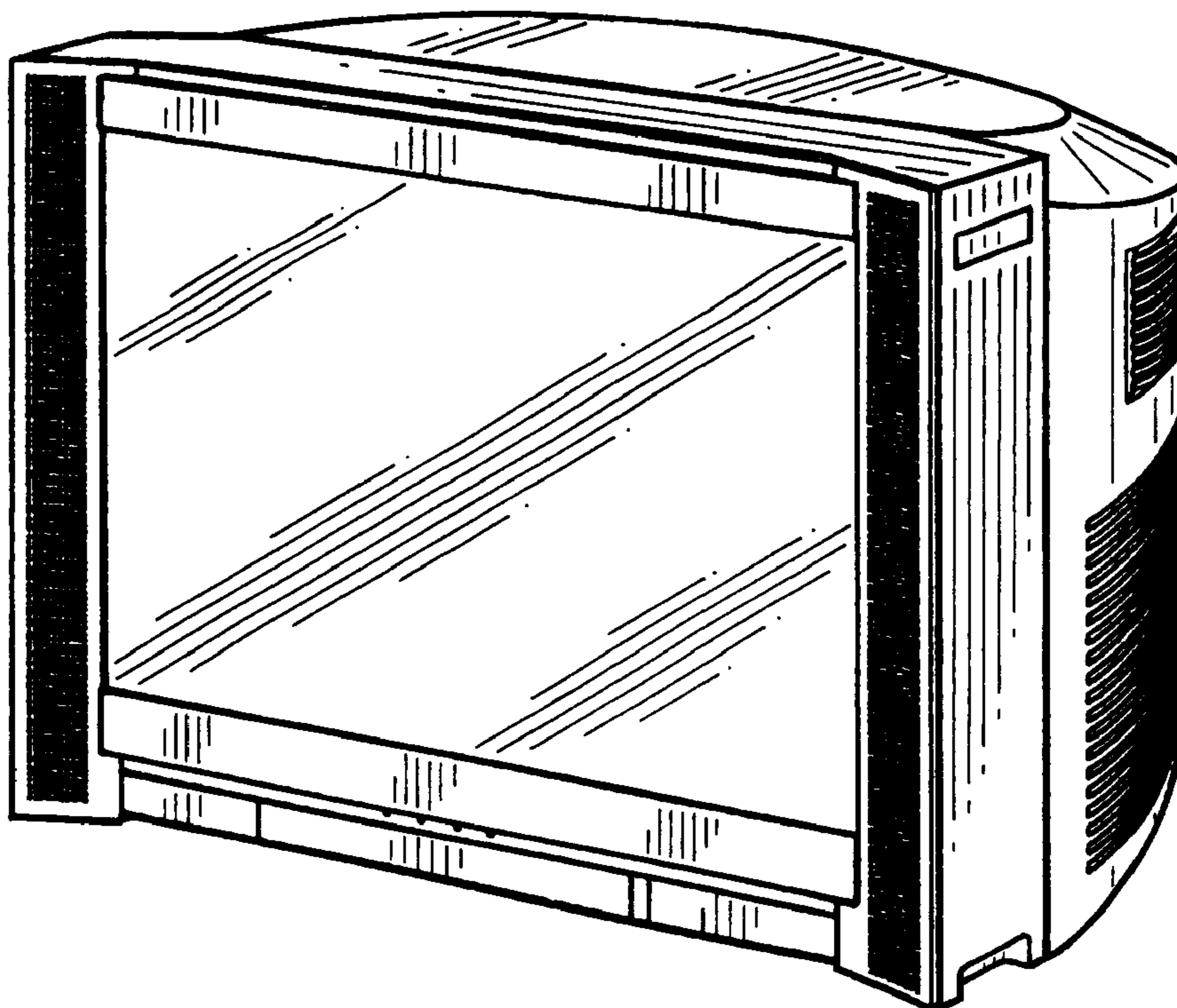
FIG. 1 is a front, top and right side perspective view of a television set, showing our new design;
FIG. 2 is a top plan view thereof;
FIG. 3 is a right side elevational view thereof; a left side elevational view being a mirror image thereof;
FIG. 4 is a front elevational view thereof;
FIG. 5 is a rear elevational view thereof; and,
FIG. 6 is a bottom plan view thereof.

(56) **References Cited**

U.S. PATENT DOCUMENTS

D406,128 S * 2/1999 Renk et al. D14/126
D413,324 S * 8/1999 Riecken et al. D14/126
D417,448 S * 12/1999 Takagi et al. D14/126
D455,129 S * 4/2002 Niitsu D14/126

1 Claim, 2 Drawing Sheets



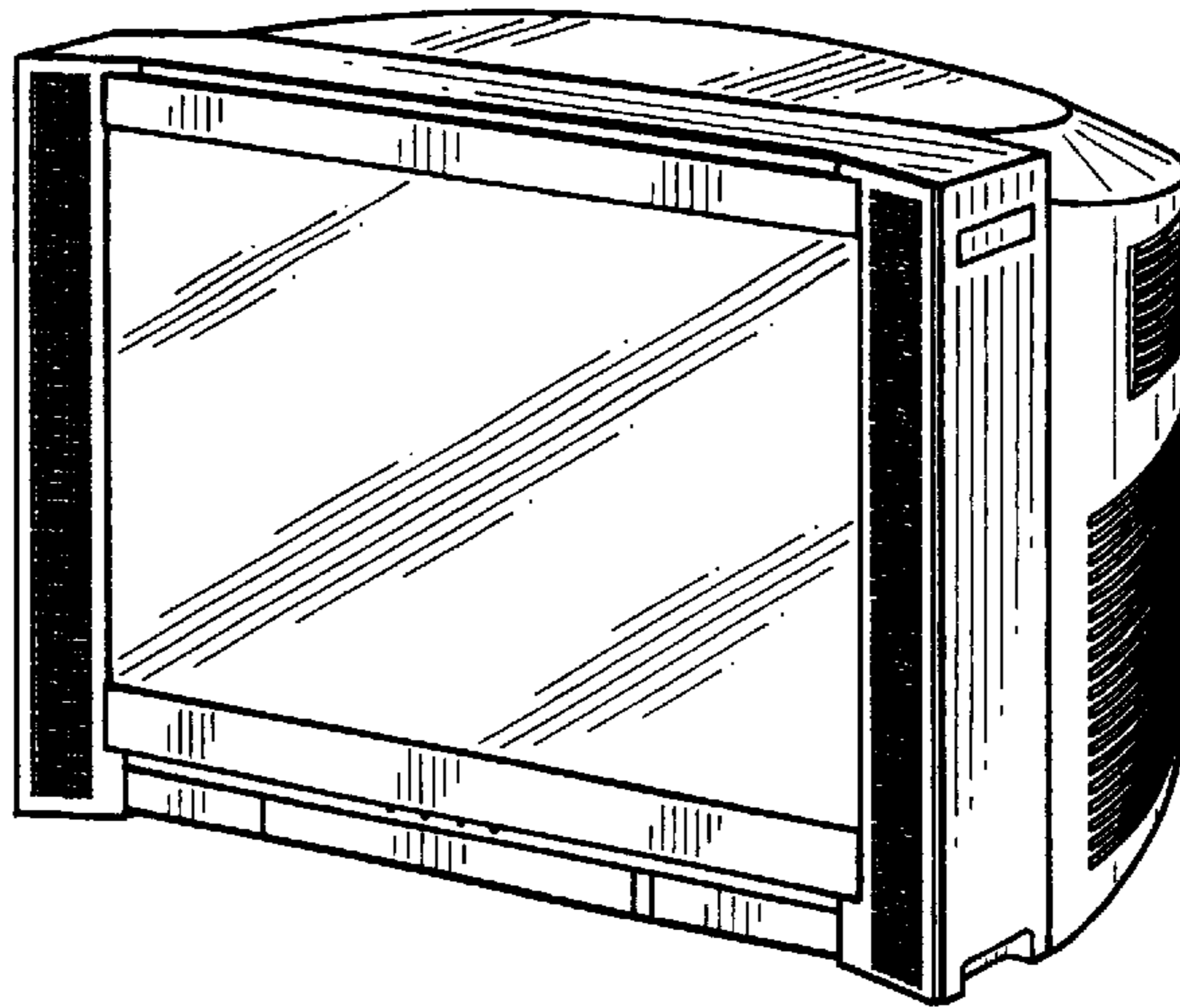


Fig. 1

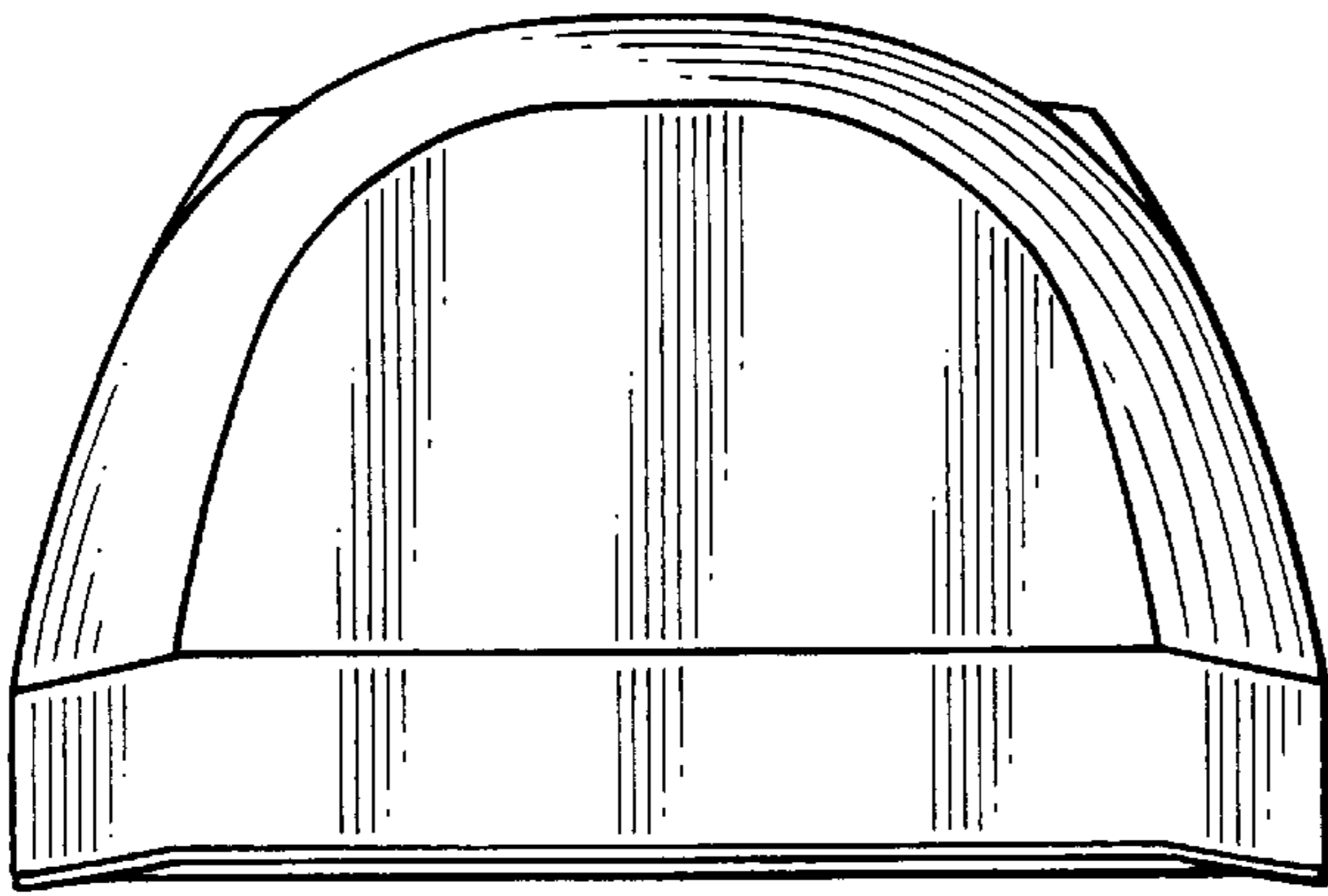


Fig. 2

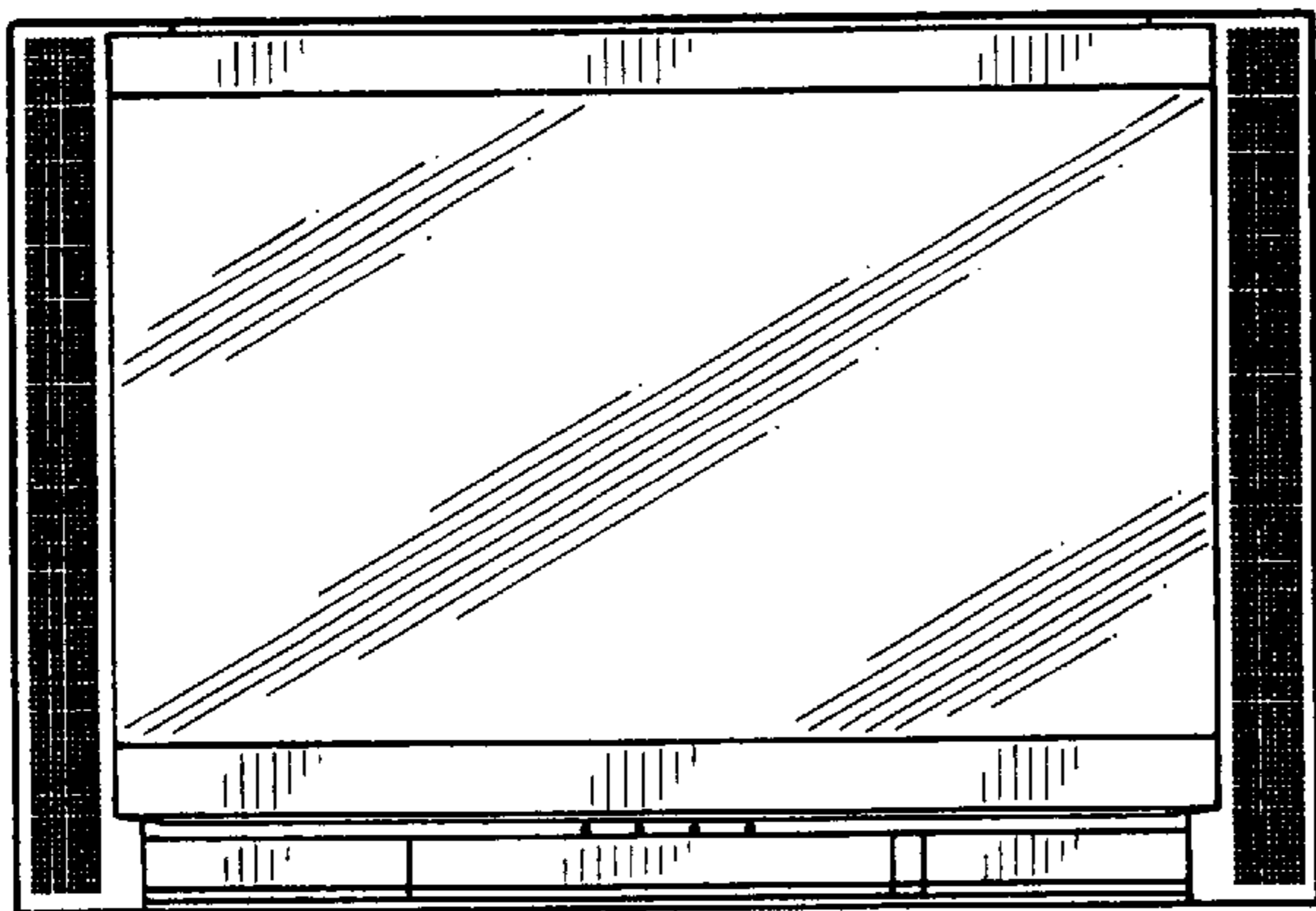


Fig. 4

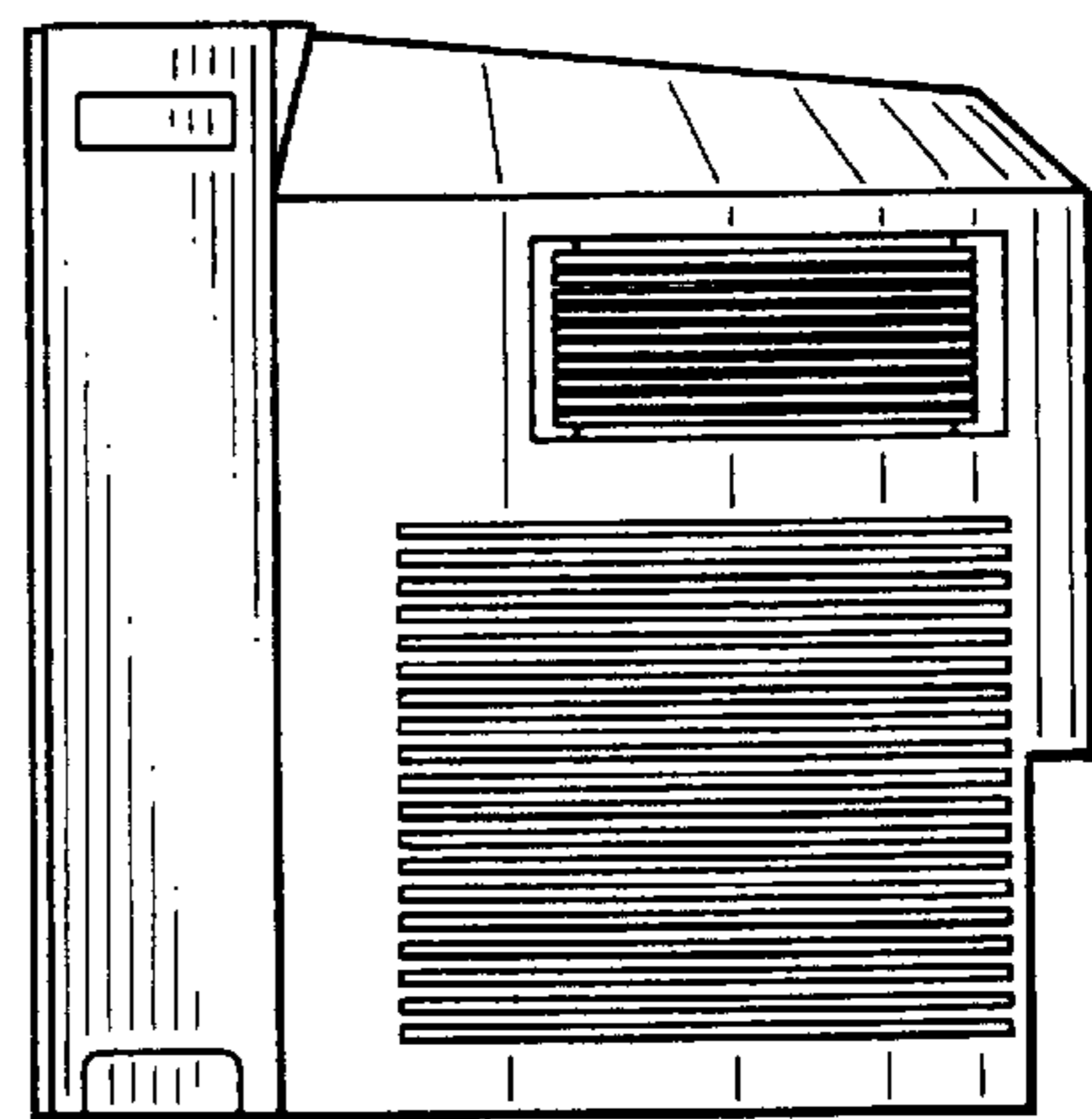


Fig. 3

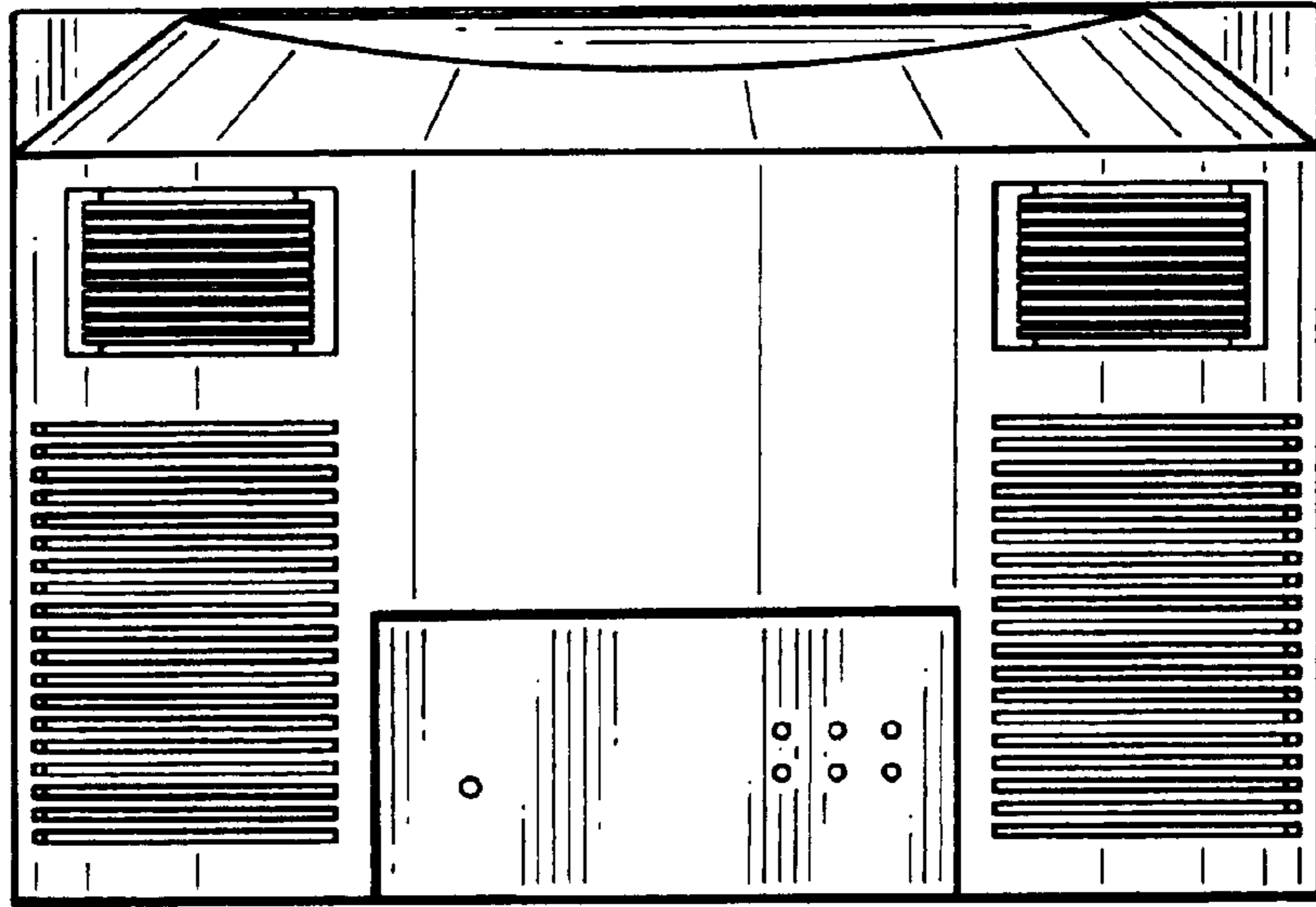


Fig. 5

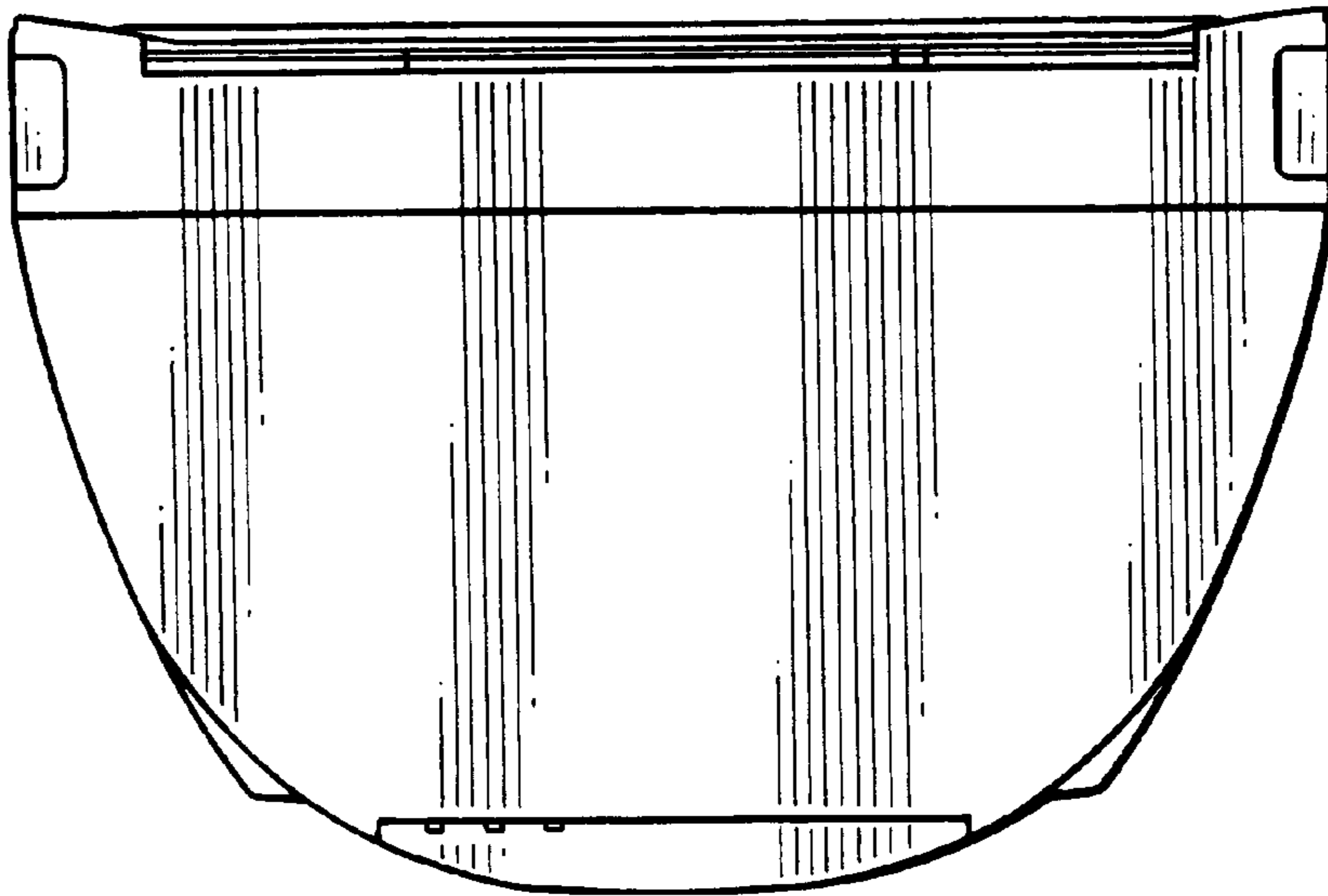


Fig. 6