



US00D471163S

(12) **United States Design Patent**
Yu

(10) **Patent No.:** **US D471,163 S**

(45) **Date of Patent:** **** Mar. 4, 2003**

(54) **SWITCH**

6,103,981 A * 8/2000 Kremer 200/296
D440,946 S * 4/2001 Yu D13/169

(76) Inventor: **Tsung-Mou Yu**, No. 4, Alley 2, Lane
23, Sec. 3, Pa Te Road, Panchiao,
Taipei (TW)

* cited by examiner

(**) Term: **14 Years**

Primary Examiner—Ted Shooman
Assistant Examiner—Selina Sikder

(21) Appl. No.: **29/154,082**

(57) **CLAIM**

(22) Filed: **Jan. 16, 2002**

The ornamental design for switch, as shown and described.

(51) **LOC (7) Cl.** **13-03**

(52) **U.S. Cl.** **D13/169**

(58) **Field of Search** D13/169, 171,
D13/174; 200/437, 553, 237, 277.2, 296,
297, 302.3, 315, 329, 339; 337/66, 74

DESCRIPTION

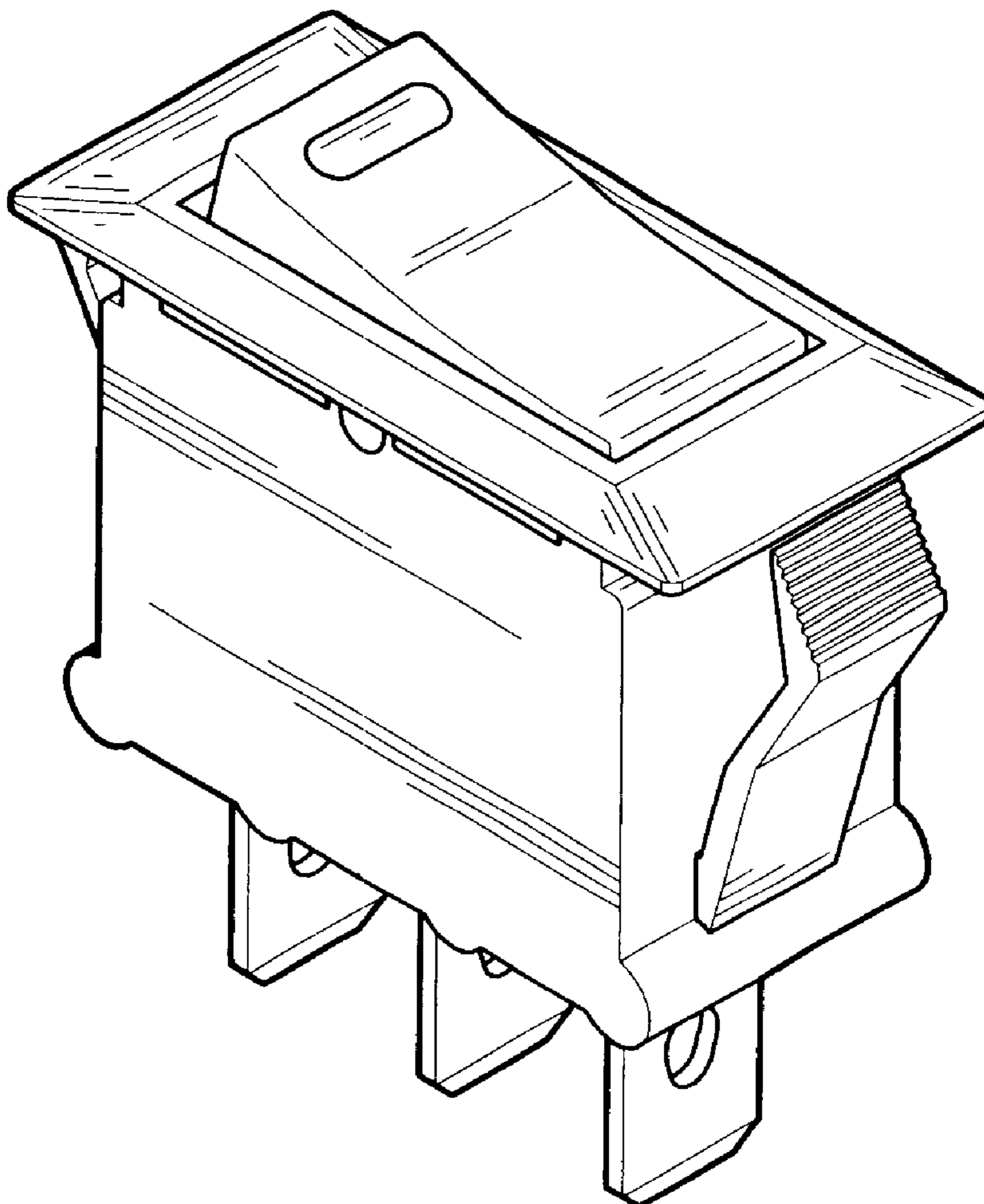
(56) **References Cited**

U.S. PATENT DOCUMENTS

D308,963 S * 7/1990 Osika D13/169
5,660,270 A * 8/1997 Martin et al. 200/315
5,909,020 A * 6/1999 Gallone 200/438

FIG. 1 is a perspective view of switch showing my new design;
FIG. 2 is a front elevational view thereof;
FIG. 3 is a rear elevational view thereof;
FIG. 4 is a left side elevational view thereof;
FIG. 5 is right side elevational view thereof;
FIG. 6 is a top view thereof; and,
FIG. 7 is a bottom view thereof.

1 Claim, 7 Drawing Sheets



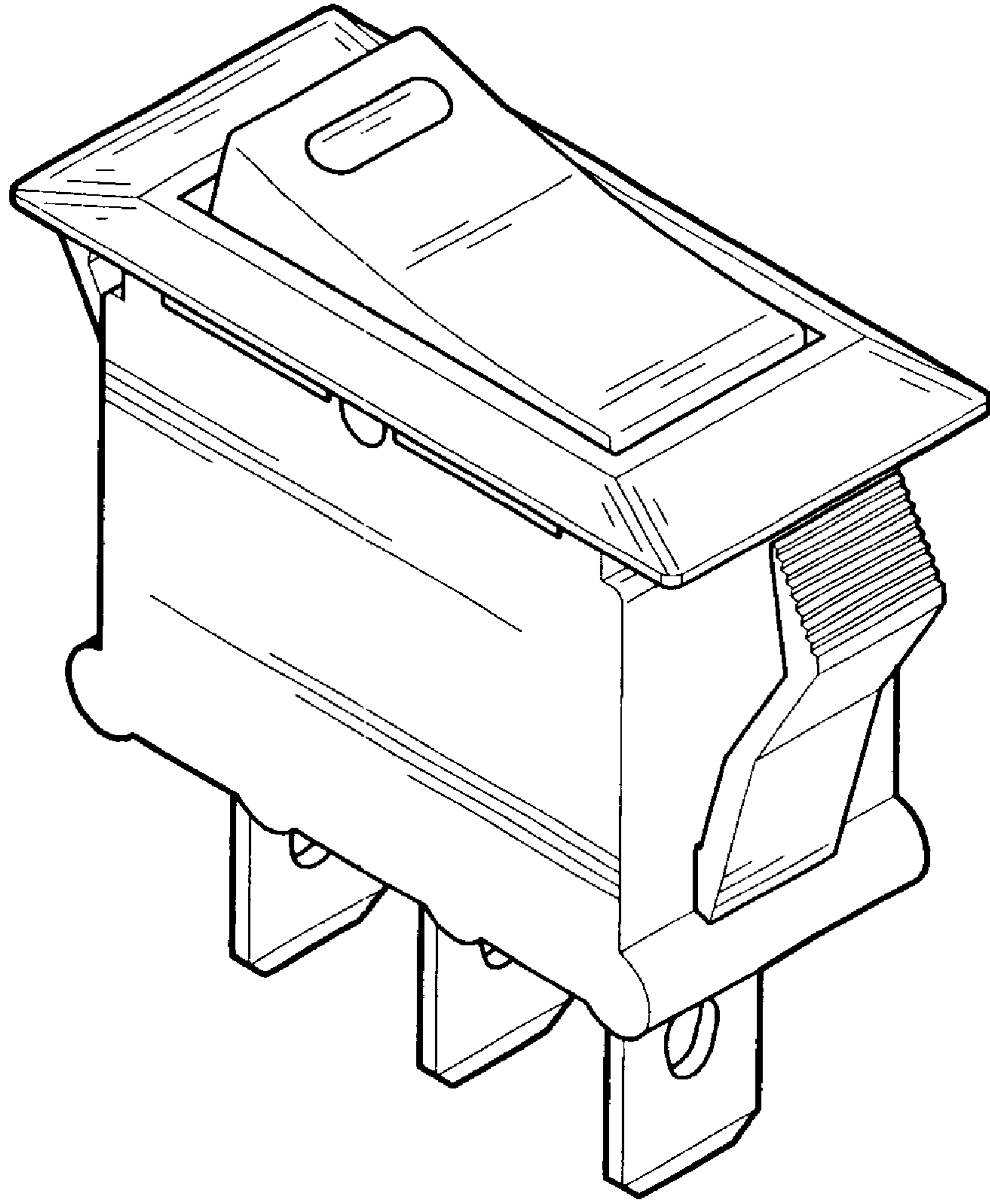


FIG. 1

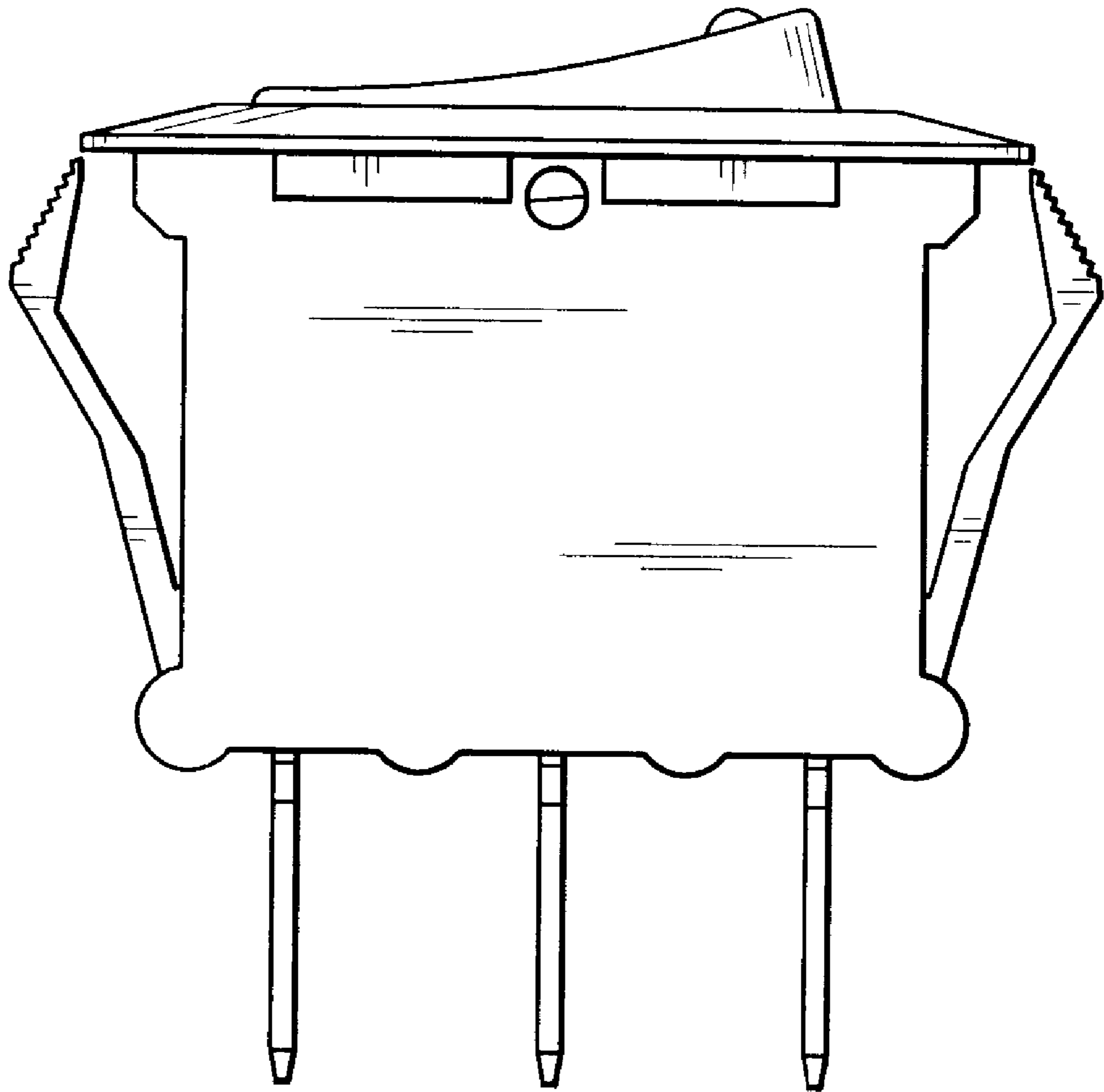


FIG. 2

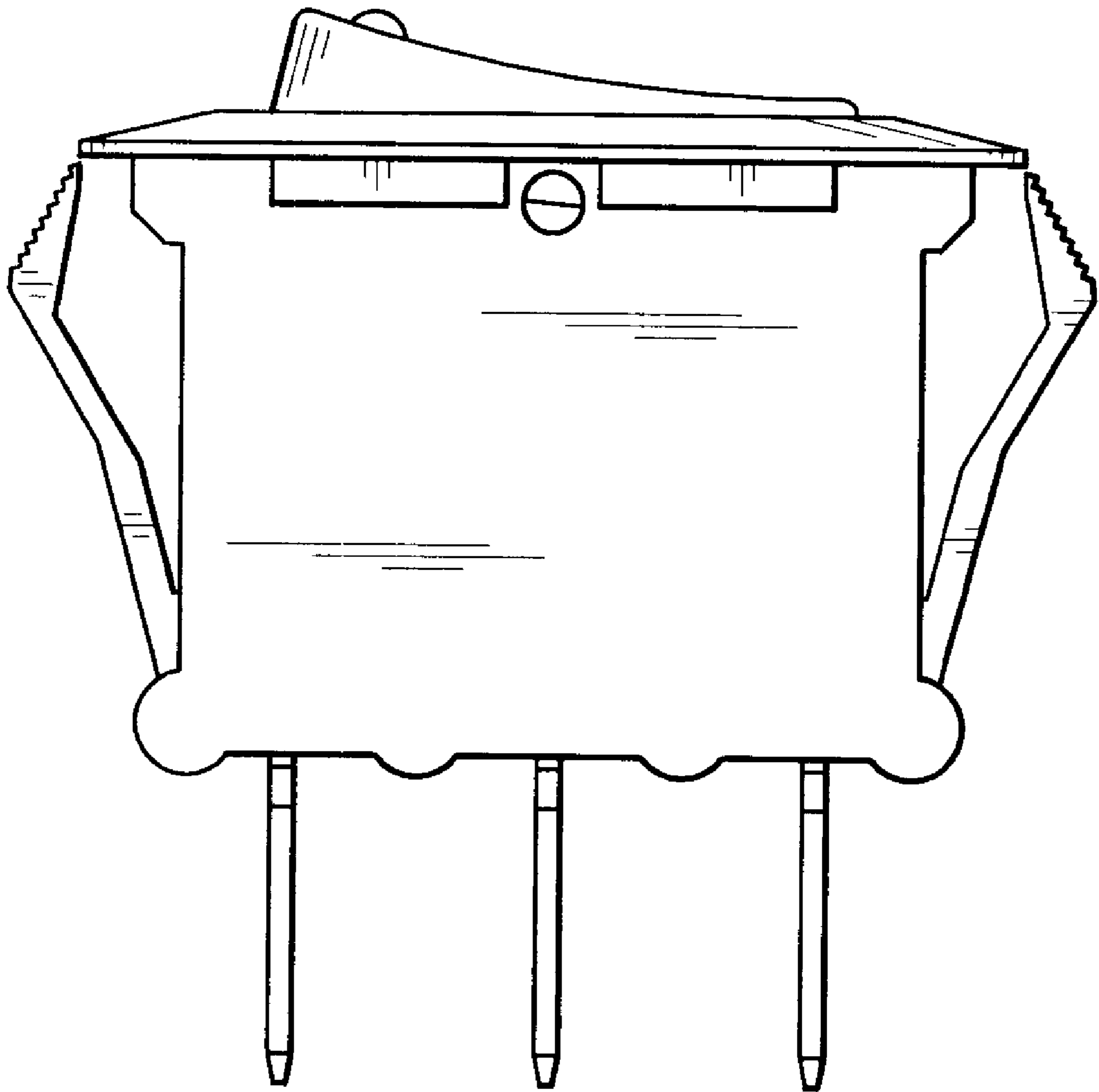


FIG. 3

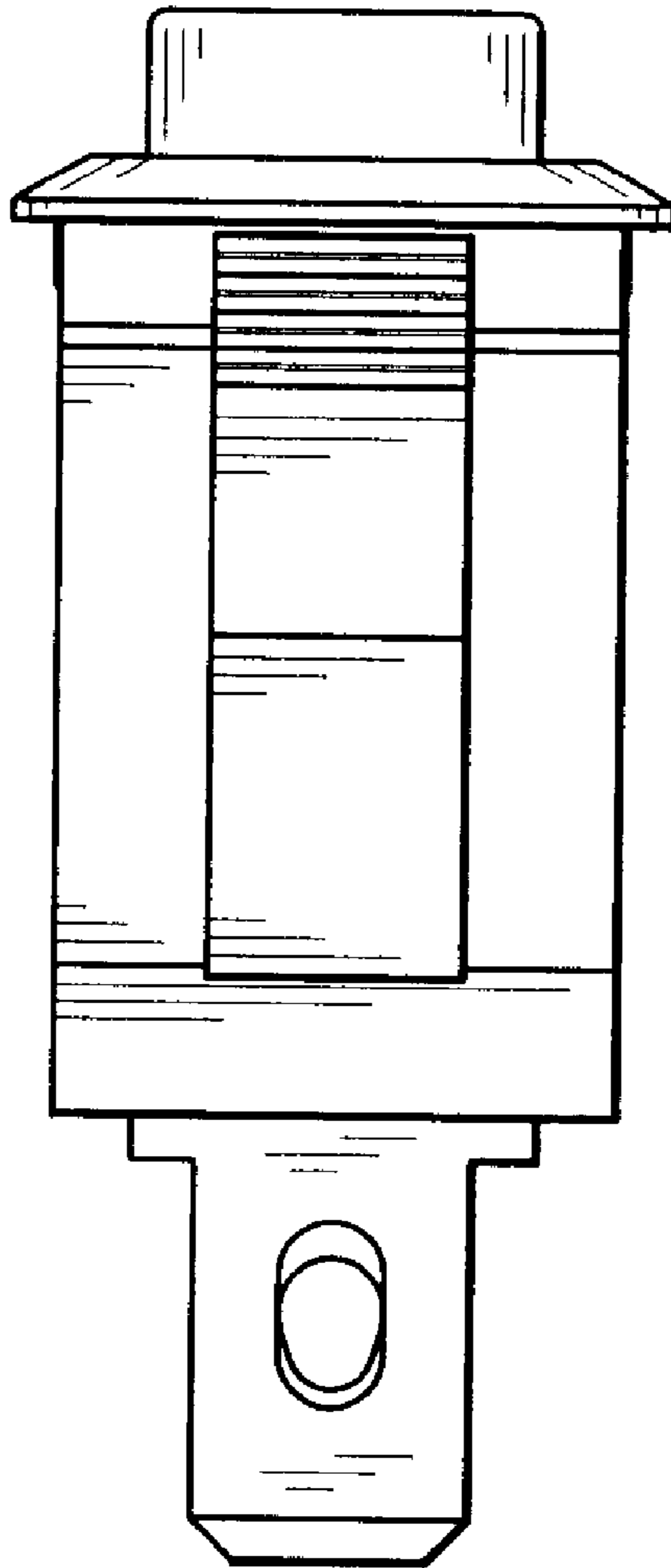


FIG. 4

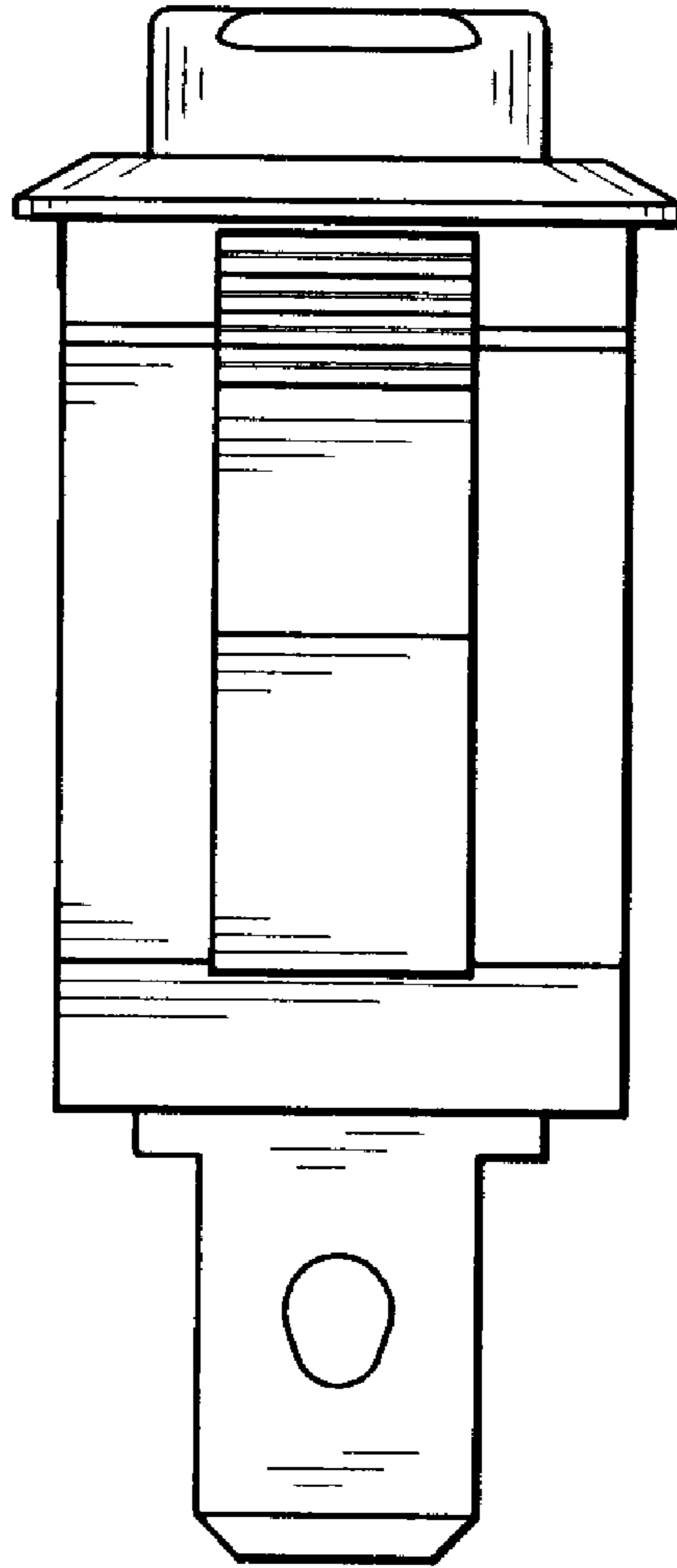


FIG. 5

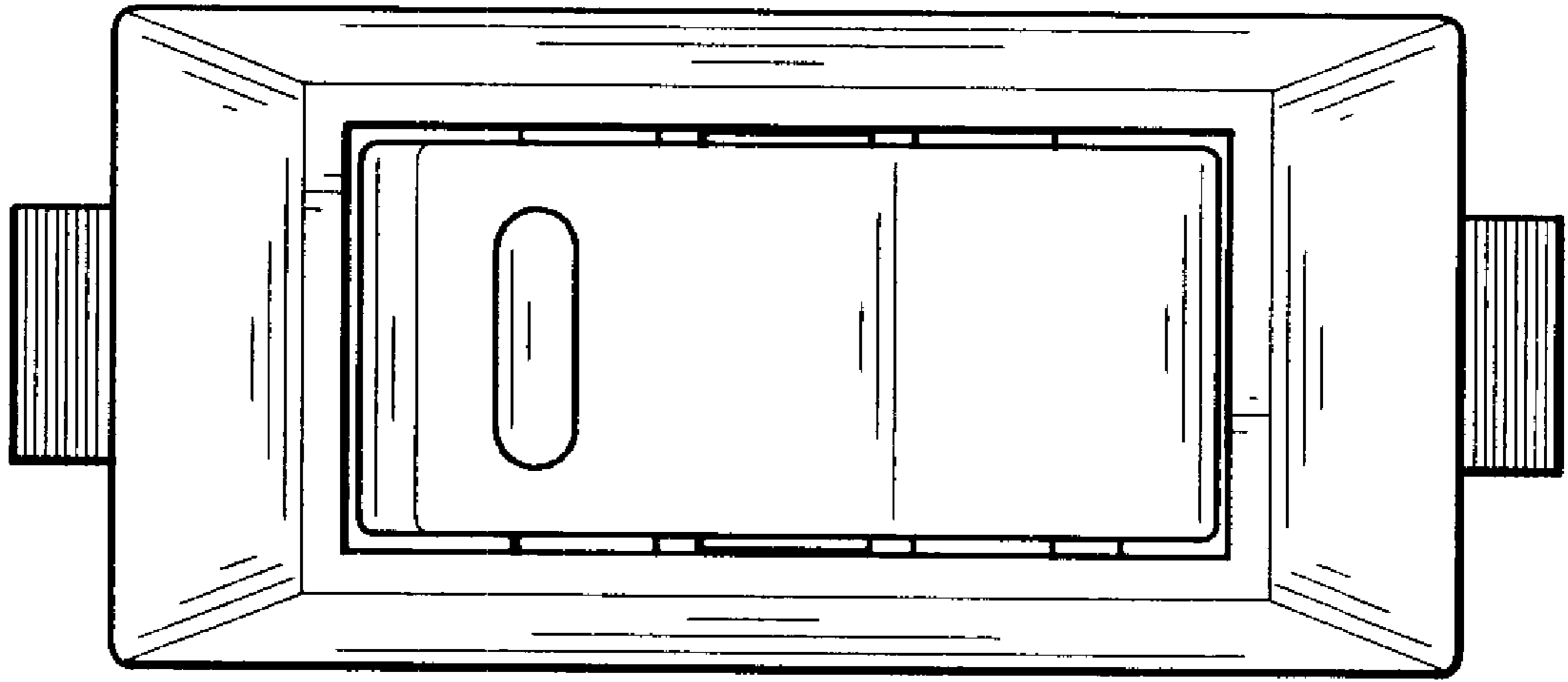


FIG. 6

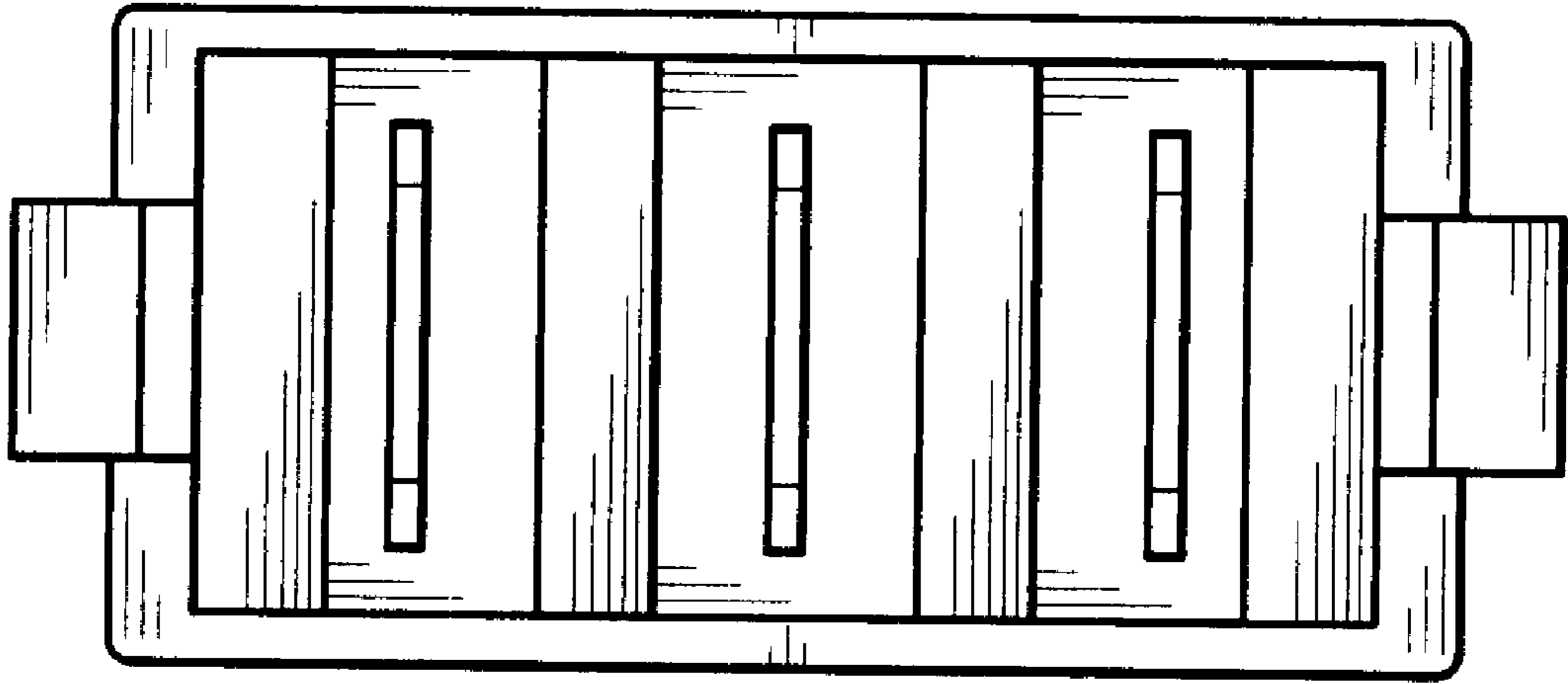


FIG. 7