



US00D471162S

(12) **United States Design Patent**
Fayfield

(10) **Patent No.:** **US D471,162 S**
(45) **Date of Patent:** **** Mar. 4, 2003**

(54) **HOUSING FOR PHOTOELECTRIC CONTROL**

(75) Inventor: **Robert W. Fayfield**, Minneapolis, MN (US)

(73) Assignee: **Banner Engineering Corporation**, Minneapolis, MN (US)

(**) Term: **14 Years**

(21) Appl. No.: **29/161,555**

(22) Filed: **May 31, 2002**

(51) **LOC (7) Cl.** **13-03**

(52) **U.S. Cl.** **D13/165; D13/177**

(58) **Field of Search** **D13/162, 165, D13/177, 184; 250/222.1, 221.1, 206, 239**

(56) **References Cited**

U.S. PATENT DOCUMENTS

5,347,117 A * 9/1994 Fooks et al. 250/221
D361,057 S * 8/1995 Fayfield D13/165
D401,910 S * 12/1998 Fooks et al. D13/165

OTHER PUBLICATIONS

Catalog pages from Banner® "Photoelectric Sensors" catalog, *Banner Engineering Corp.*, Minneapolis, USA, pp. 15, 396 and 397 (1999–2000)

* cited by examiner .

Primary Examiner—Ted Shooman
Assistant Examiner—Selina Sikder
(74) *Attorney, Agent, or Firm*—Merchant & Gould P.C.

(57) **CLAIM**

The ornamental design for a housing for photoelectric control, as shown and described.

DESCRIPTION

FIG. 1 is a front perspective view of a housing for a photoelectric control embodying my invention;

FIG. 2 is a top plan view of the housing depicted in FIG. 1;

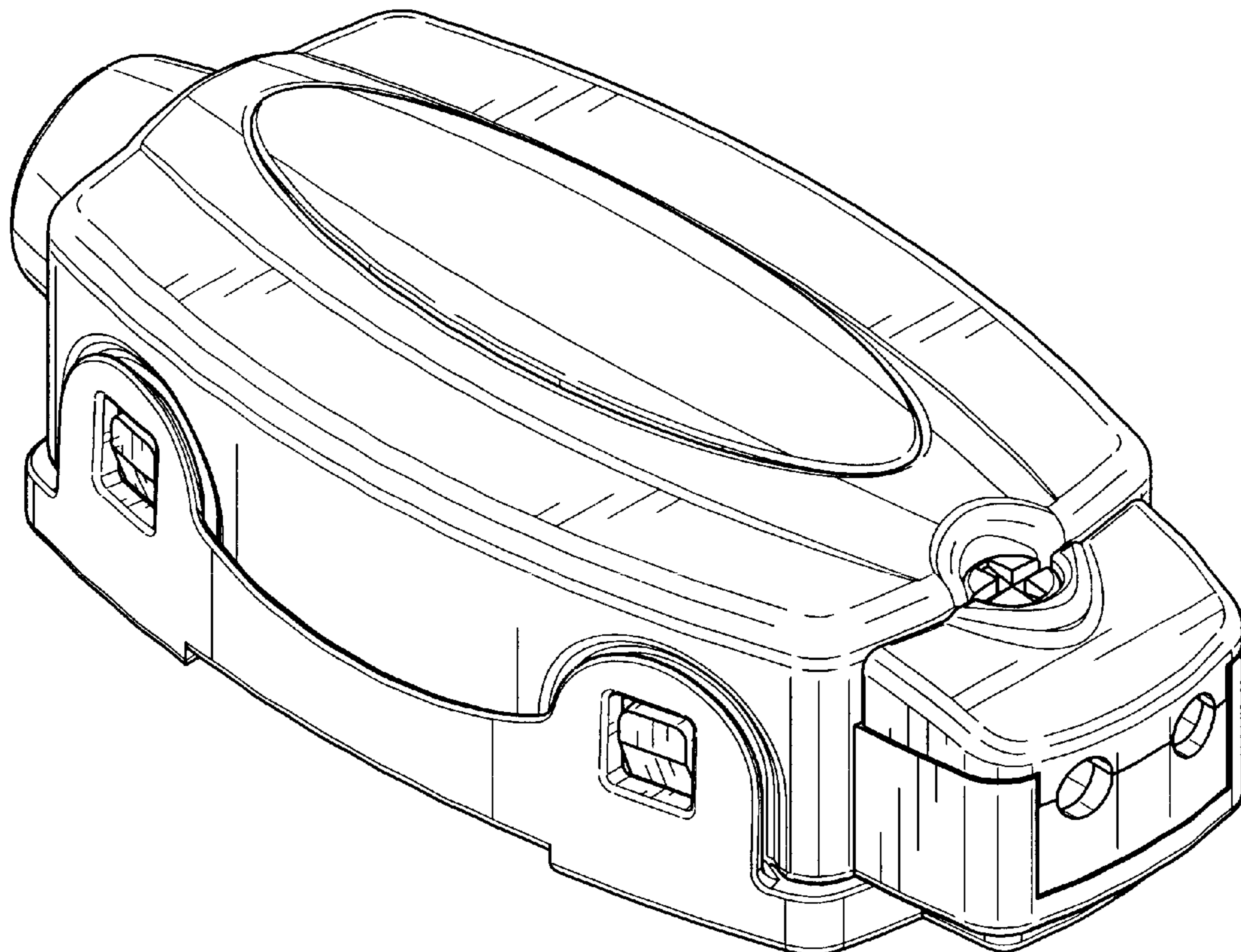
FIG. 3 is a side elevational view of the housing depicted in FIG. 1. The opposite side elevational view is a mirror image of FIG. 3;

FIG. 4 is a bottom plan view of the housing depicted in FIG. 1;

FIG. 5 is a front elevational view of the housing depicted in FIG. 1; and,

FIG. 6 is a rear elevational view of the housing depicted in FIG. 1.

1 Claim, 3 Drawing Sheets



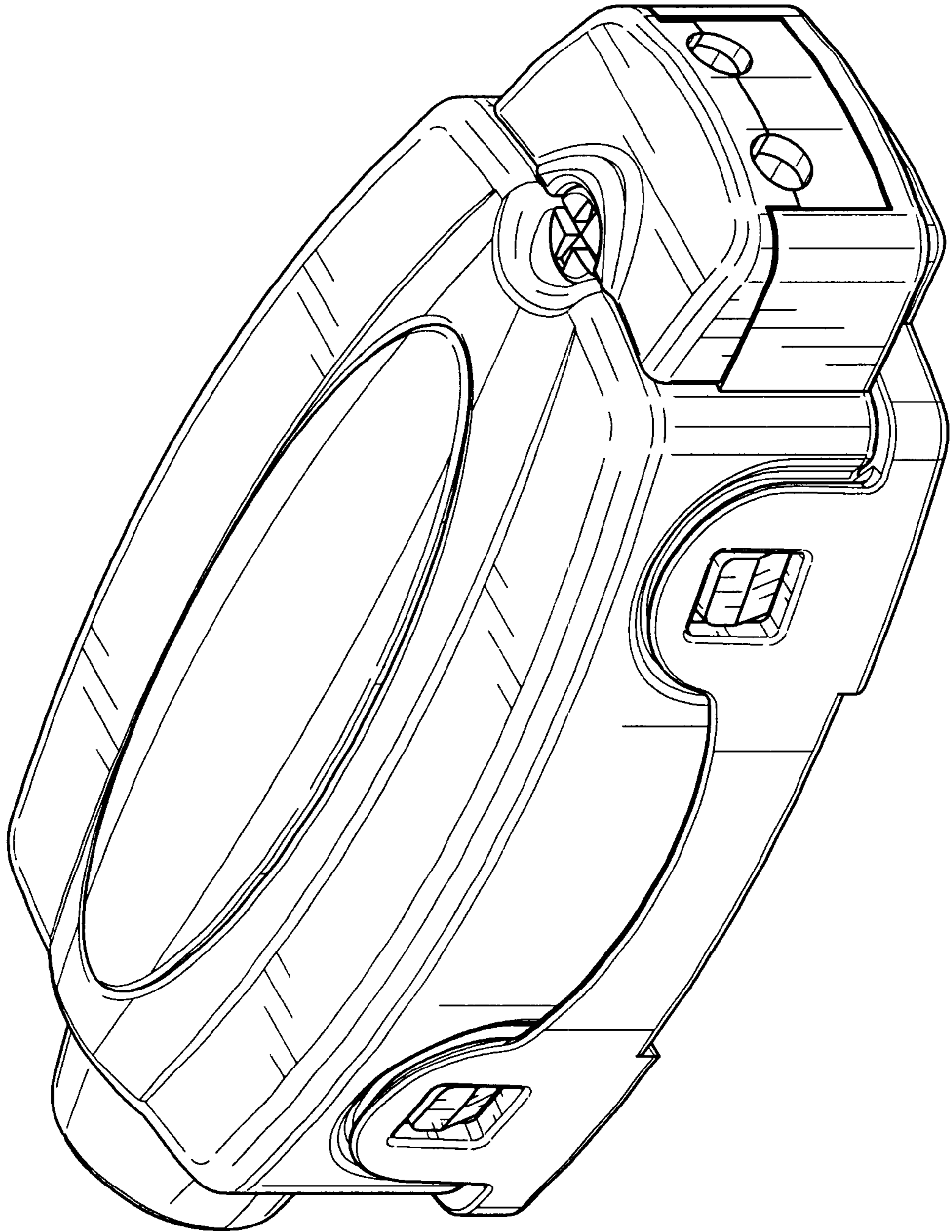


FIG. 1

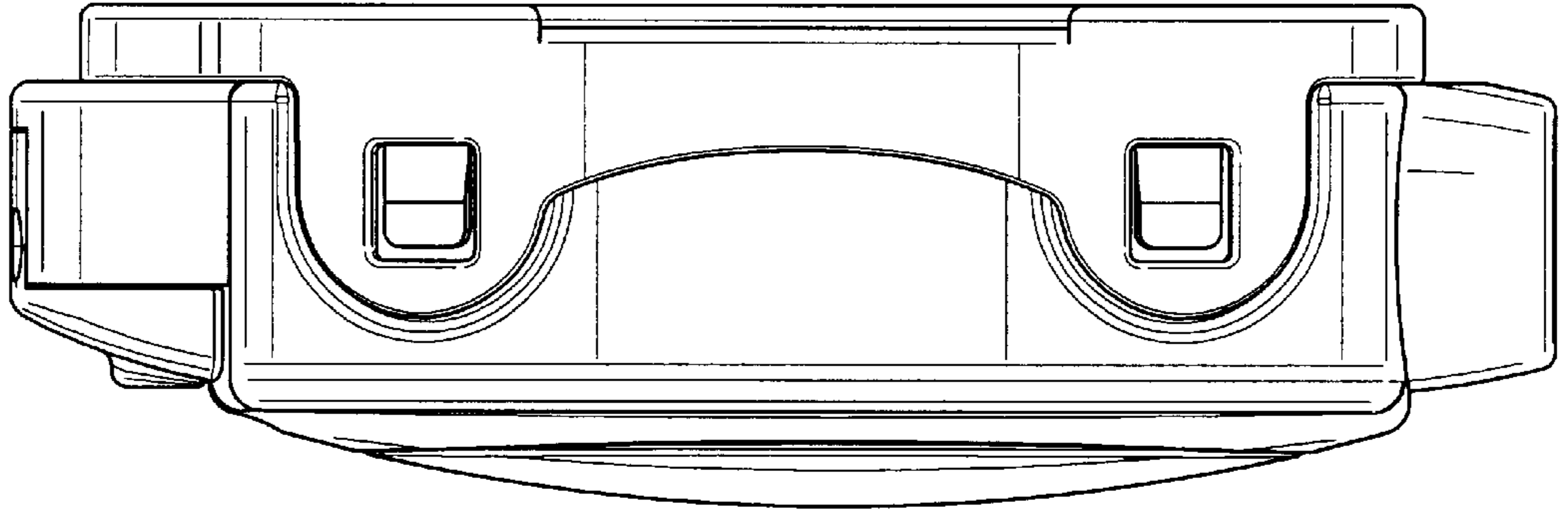


FIG.3

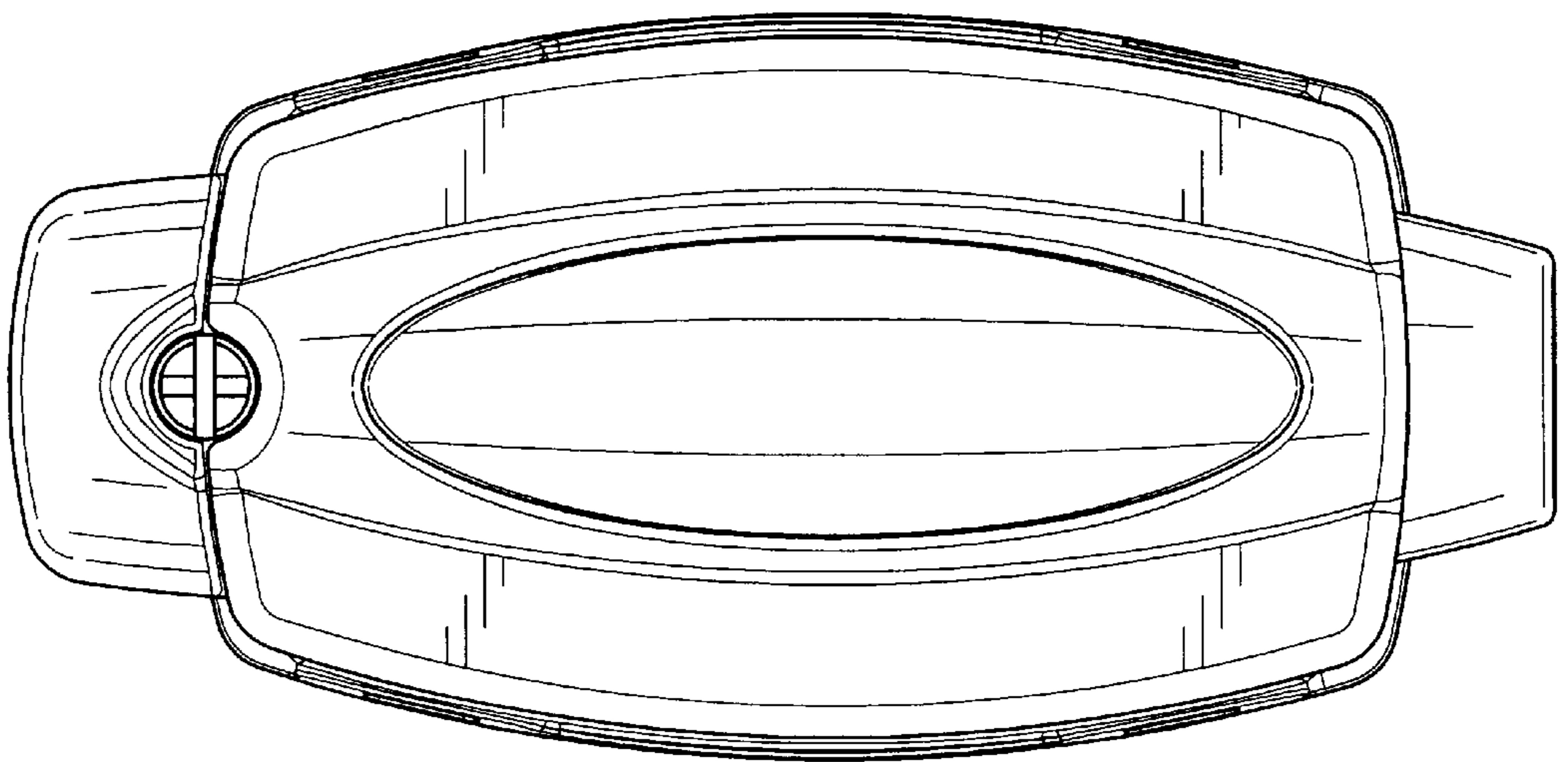


FIG.2

FIG.5

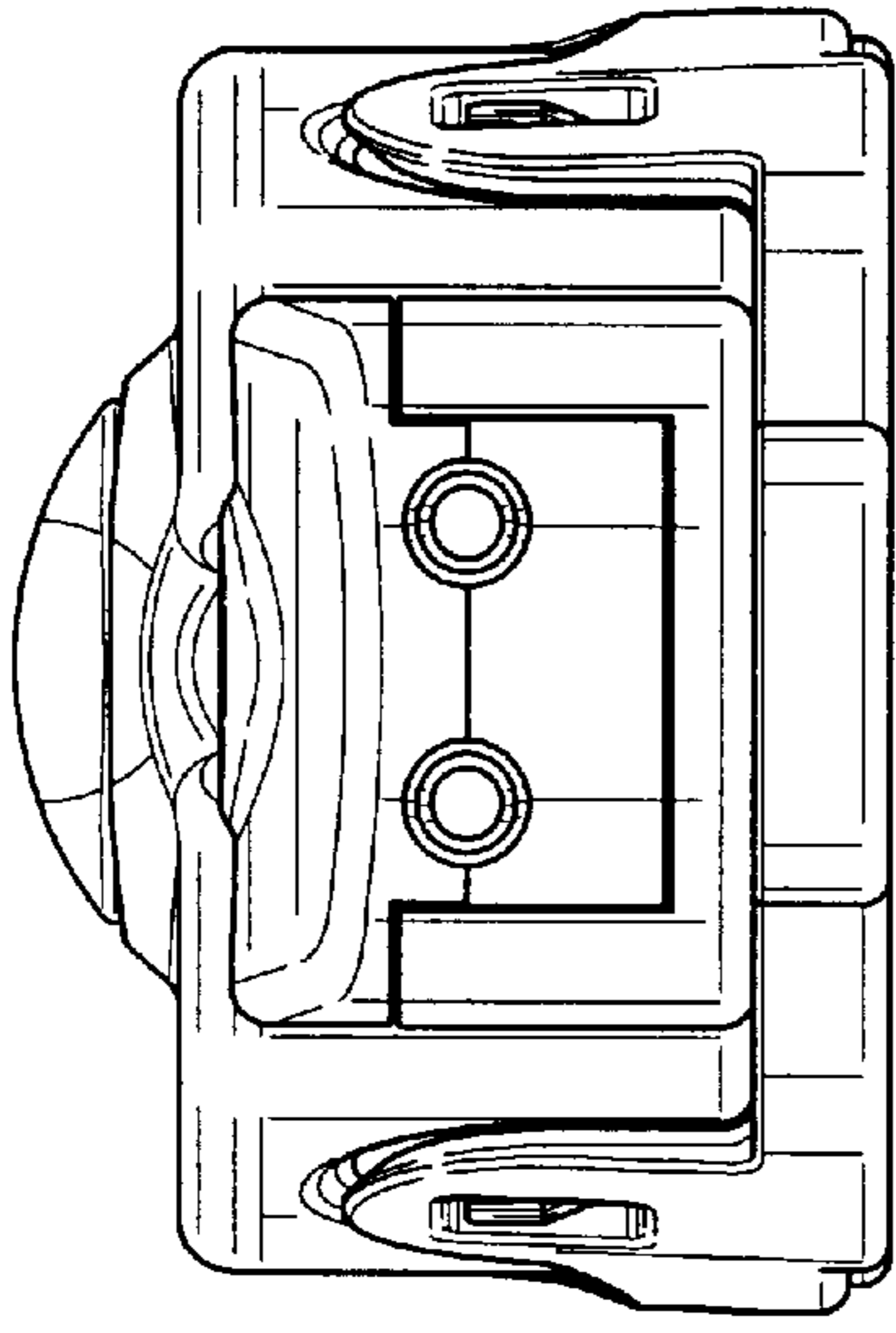


FIG.6

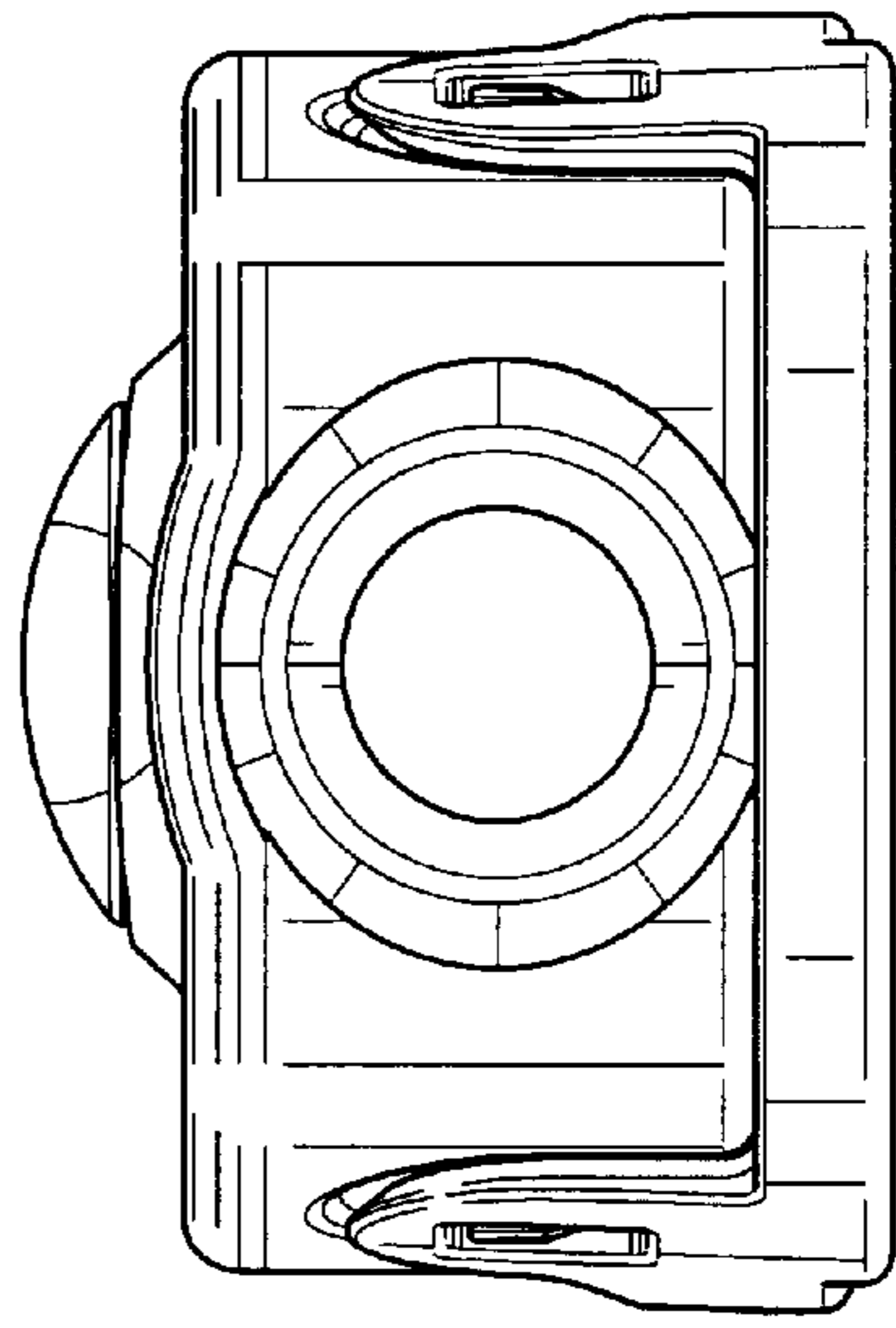


FIG.4

