



US00D471157S

(12) **United States Design Patent**  
**Harvey**

(10) **Patent No.:** **US D471,157 S**

(45) **Date of Patent:** **\*\* Mar. 4, 2003**

(54) **TERMINAL CONFIGURATION OF A SIX CONTACT FEMALE CONNECTOR**

(75) Inventor: **Arthur J. Harvey**, Mantua, OH (US)

(73) Assignee: **Delta Systems, Inc.**, Streetsboro, OH (US)

(\*\*) Term: **14 Years**

(21) Appl. No.: **29/147,829**

(22) Filed: **Sep. 6, 2001**

(51) **LOC (7) Cl.** ..... **13-03**

(52) **U.S. Cl.** ..... **D13/146**

(58) **Field of Search** ..... D13/146, 147,  
D13/149; 439/586, 660, 678, 845, 849,  
850

(56) **References Cited**

**U.S. PATENT DOCUMENTS**

3,419,696 A	*	12/1968	Bailey et al.	200/531
3,663,780 A	*	5/1972	Golbeck	200/314
4,167,299 A	*	9/1979	Noguchi	439/586
4,453,799 A	*	6/1984	Inoue	439/861
4,795,865 A		1/1989	Howard	
4,812,604 A		3/1989	Howard	
4,839,478 A		6/1989	Howard	
4,908,485 A	*	3/1990	Honda et al.	200/462
4,924,046 A		5/1990	Howard	
D316,080 S	*	4/1991	Inaba	D13/146
D316,401 S	*	4/1991	Sakai	D13/146
5,190,148 A		3/1993	Williams	
5,221,816 A		6/1993	Williams	
5,252,791 A		10/1993	Williams	
5,295,870 A	*	3/1994	Rei et al.	439/717
D352,685 S	*	11/1994	Issa	D13/146
5,424,502 A		6/1995	Williams	
5,528,007 A		6/1996	Williams et al.	

5,533,915 A	*	7/1996	Deans	439/678
5,548,888 A		8/1996	Williams	
5,613,598 A		3/1997	Pittman et al.	
5,662,213 A		9/1997	Kattler et al.	
5,756,947 A		5/1998	Trimble, Jr. et al.	
5,775,482 A		7/1998	Wolfe et al.	
5,993,268 A	*	11/1999	Yamaguchi	439/752.5
6,207,910 B1		3/2001	Harvey et al.	

\* cited by examiner

*Primary Examiner*—Joel Sincavage

(74) *Attorney, Agent, or Firm*—Watts, Hoffmann, Fisher & Heinke Co.

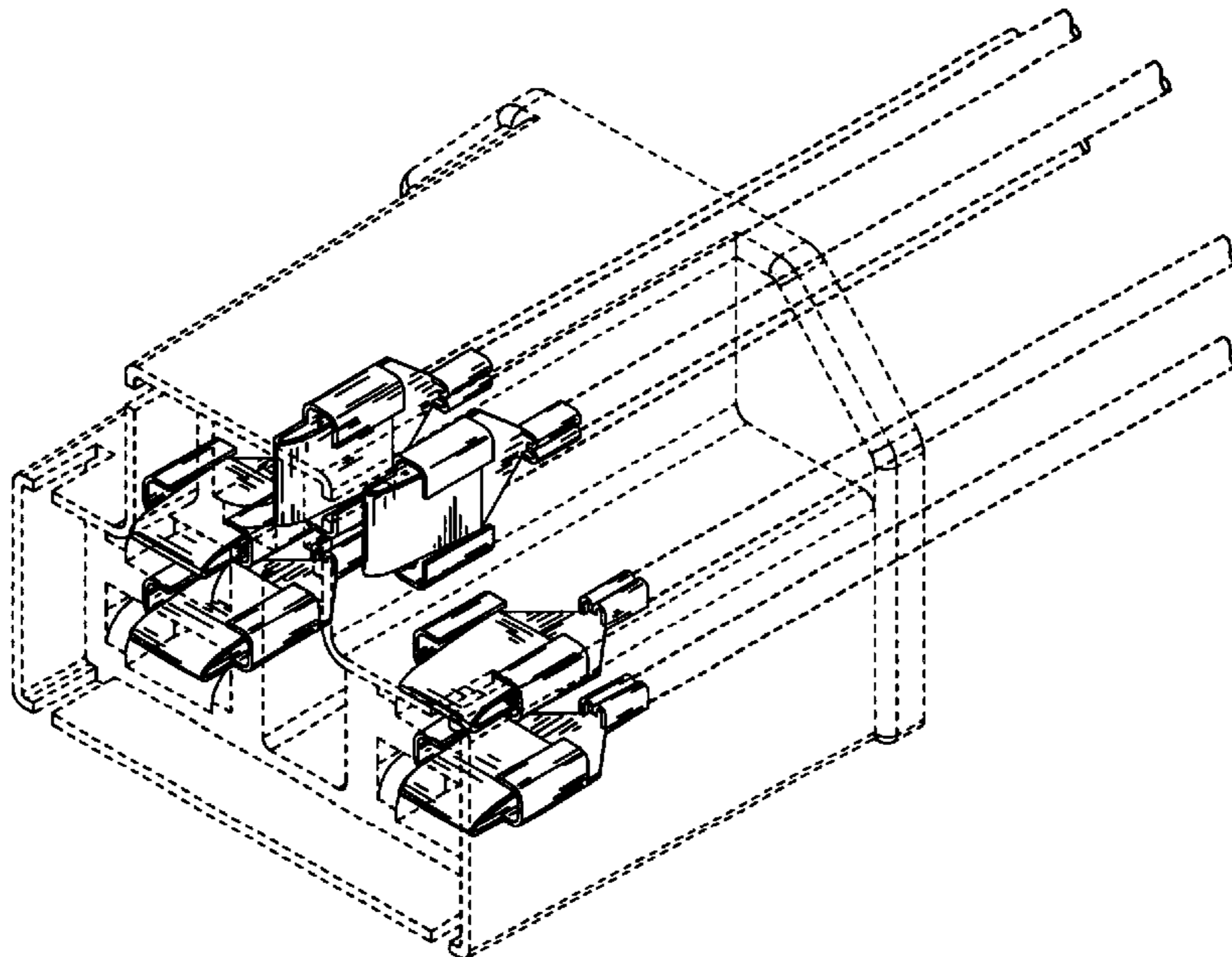
(57) **CLAIM**

I claim the ornamental design for a terminal configuration of a six contact female connector, as shown and described.

**DESCRIPTION**

FIG. 1 is a perspective view of the terminal configuration of a six contact female connector of the present invention; FIG. 2 is a front elevational view of the terminal configuration of a six contact female connector of the present invention; FIG. 3 is a back elevational view of the terminal configuration of a six contact female connector of the present invention; FIG. 4 is a left side view of the terminal configuration of a six contact female connector of the present invention; FIG. 5 is a right side view of the terminal configuration of a six contact female connector of the present invention; and, FIG. 6 is a bottom side view of the terminal configuration of a six contact female connector of the present invention. The broken lines depicting the connector housing and the conductors are included for the purpose of illustrating environmental structure only and form no part of the claimed design.

**1 Claim, 3 Drawing Sheets**



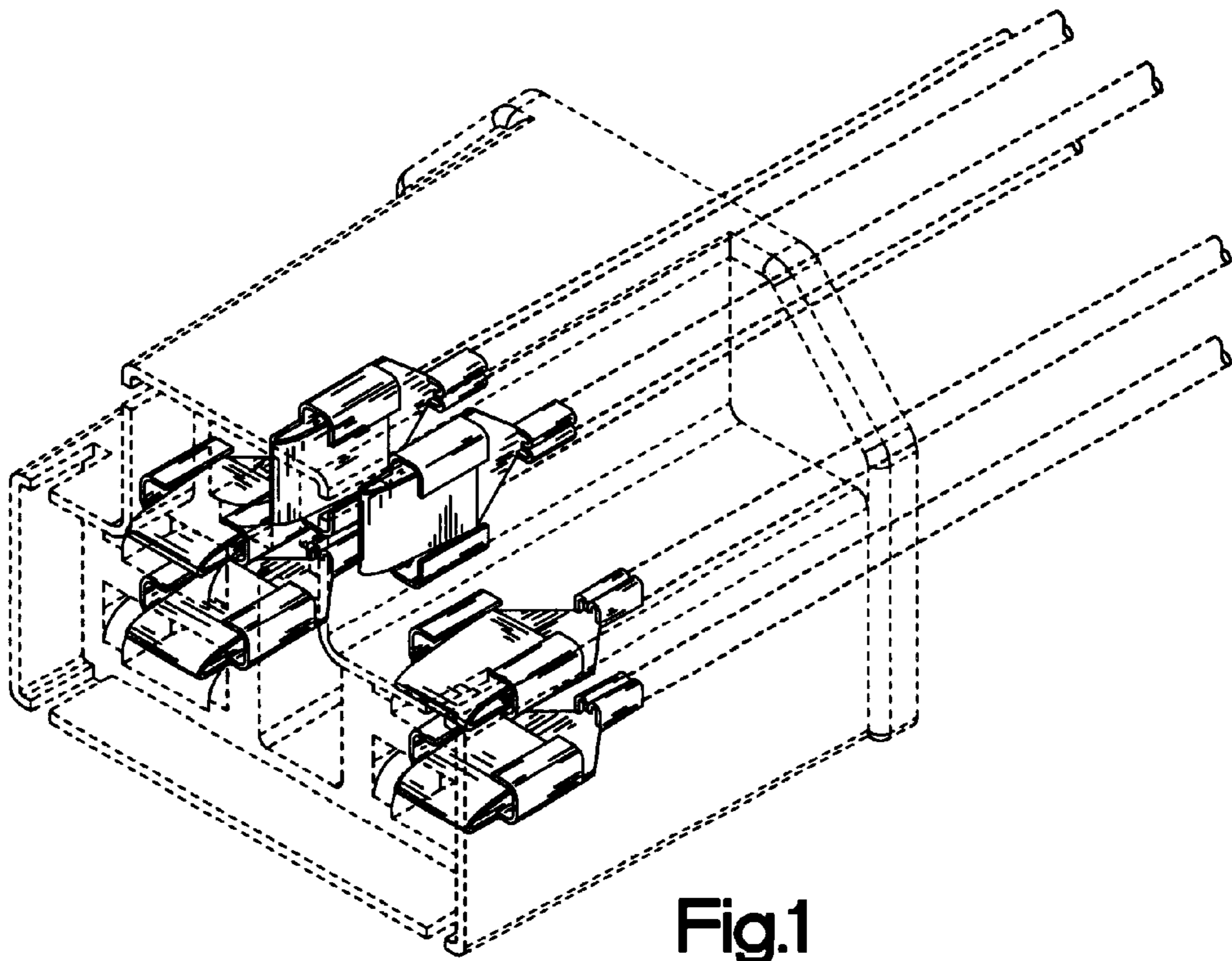


Fig.1

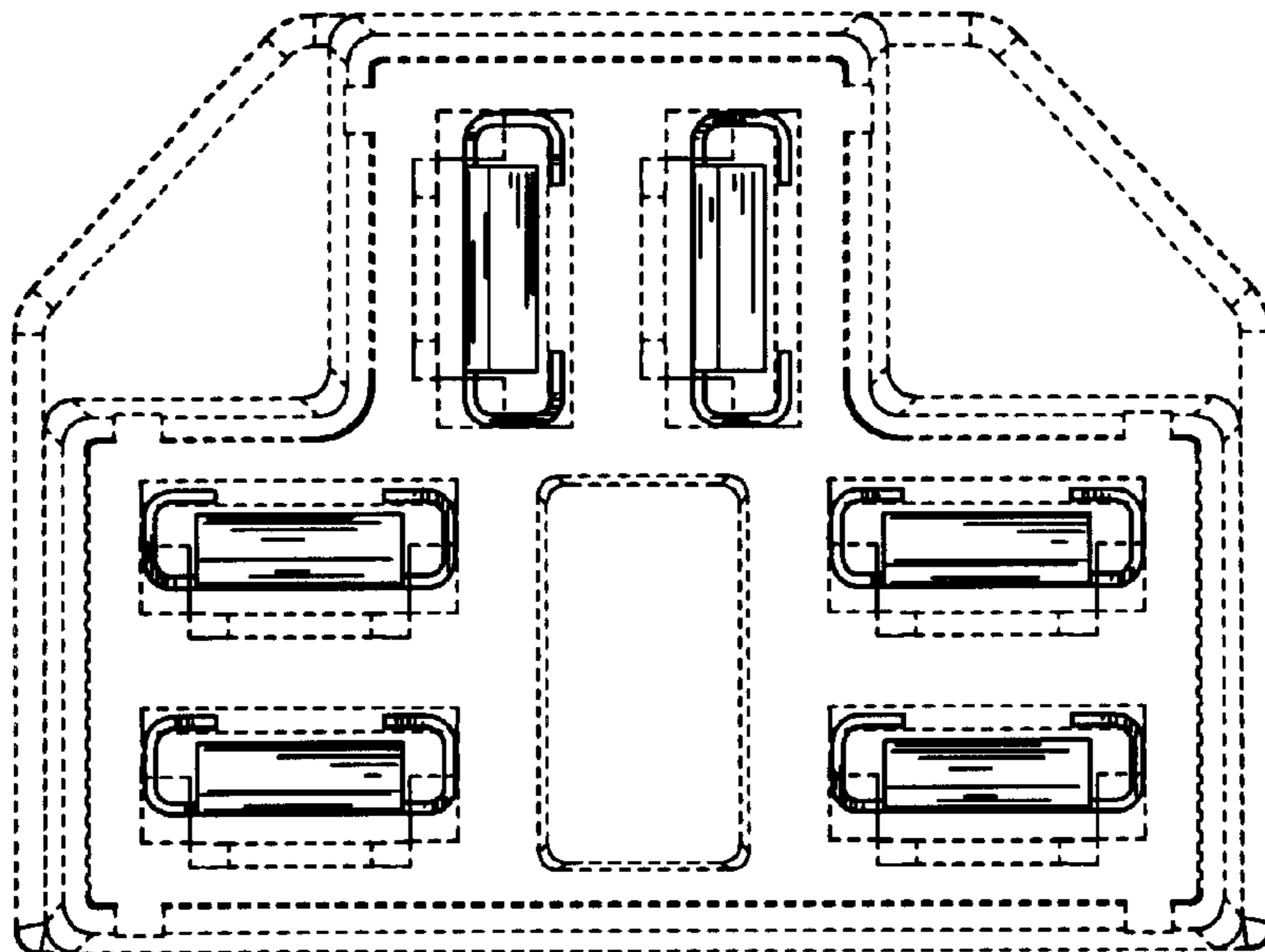


Fig.2

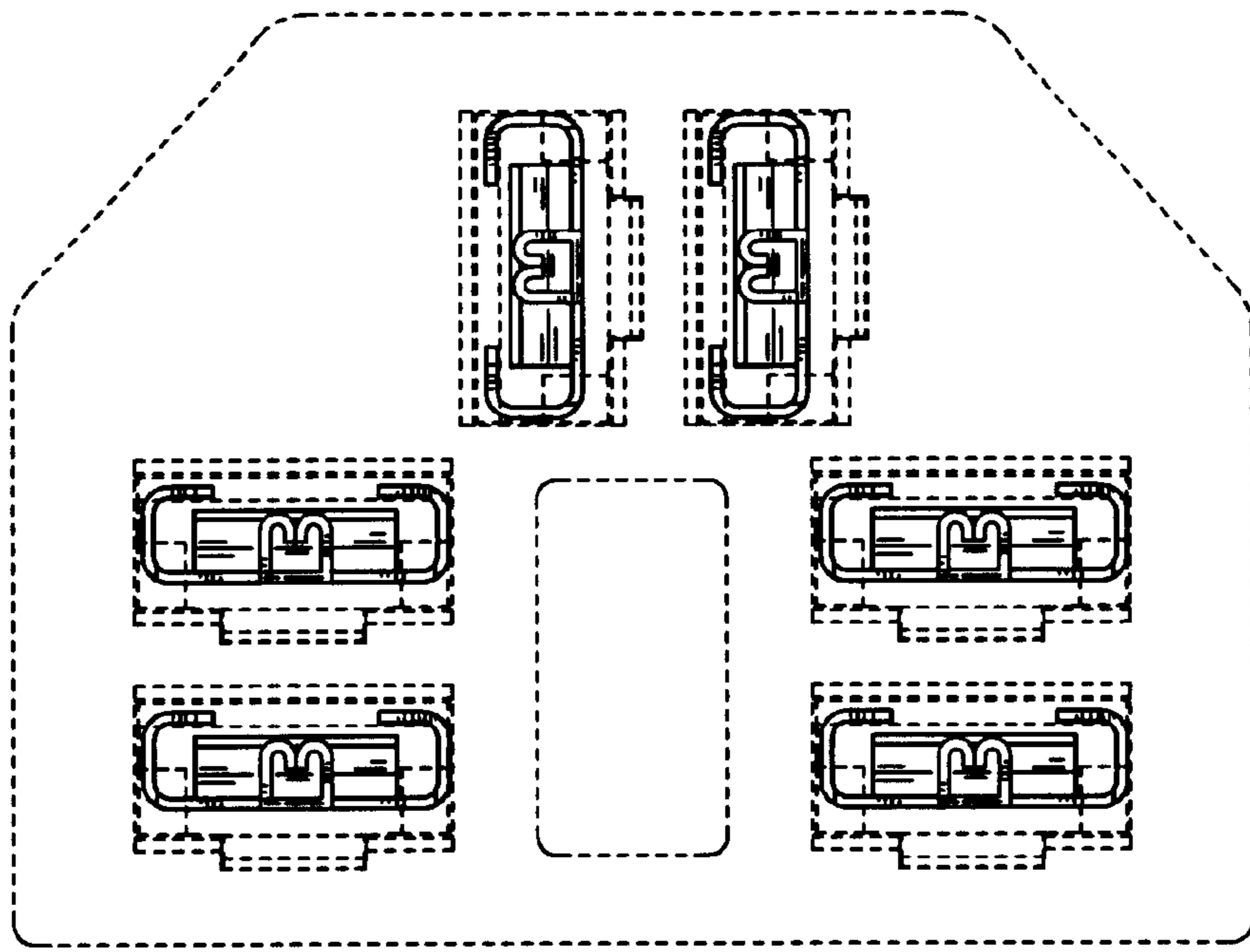


Fig.3

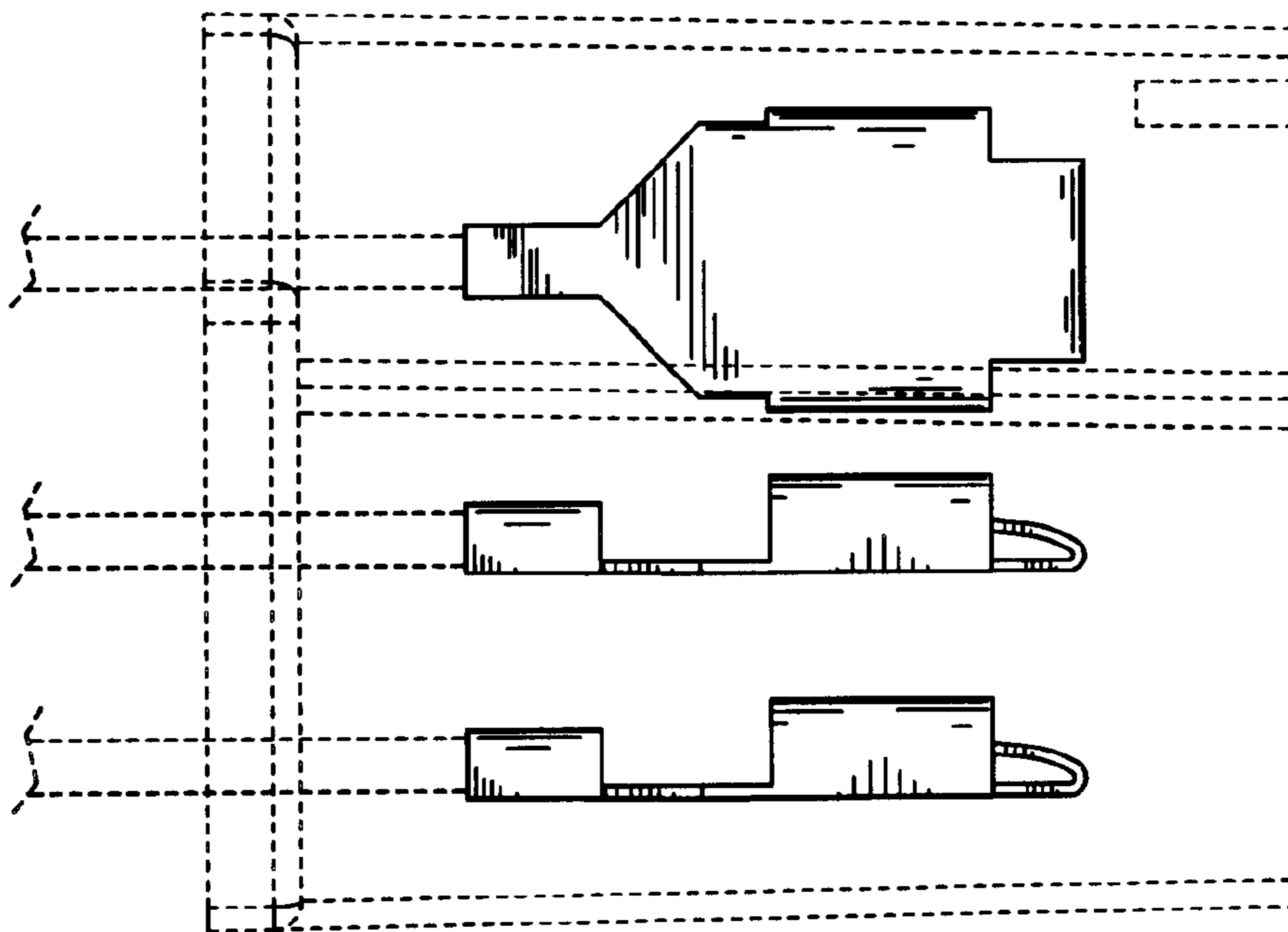


Fig.4

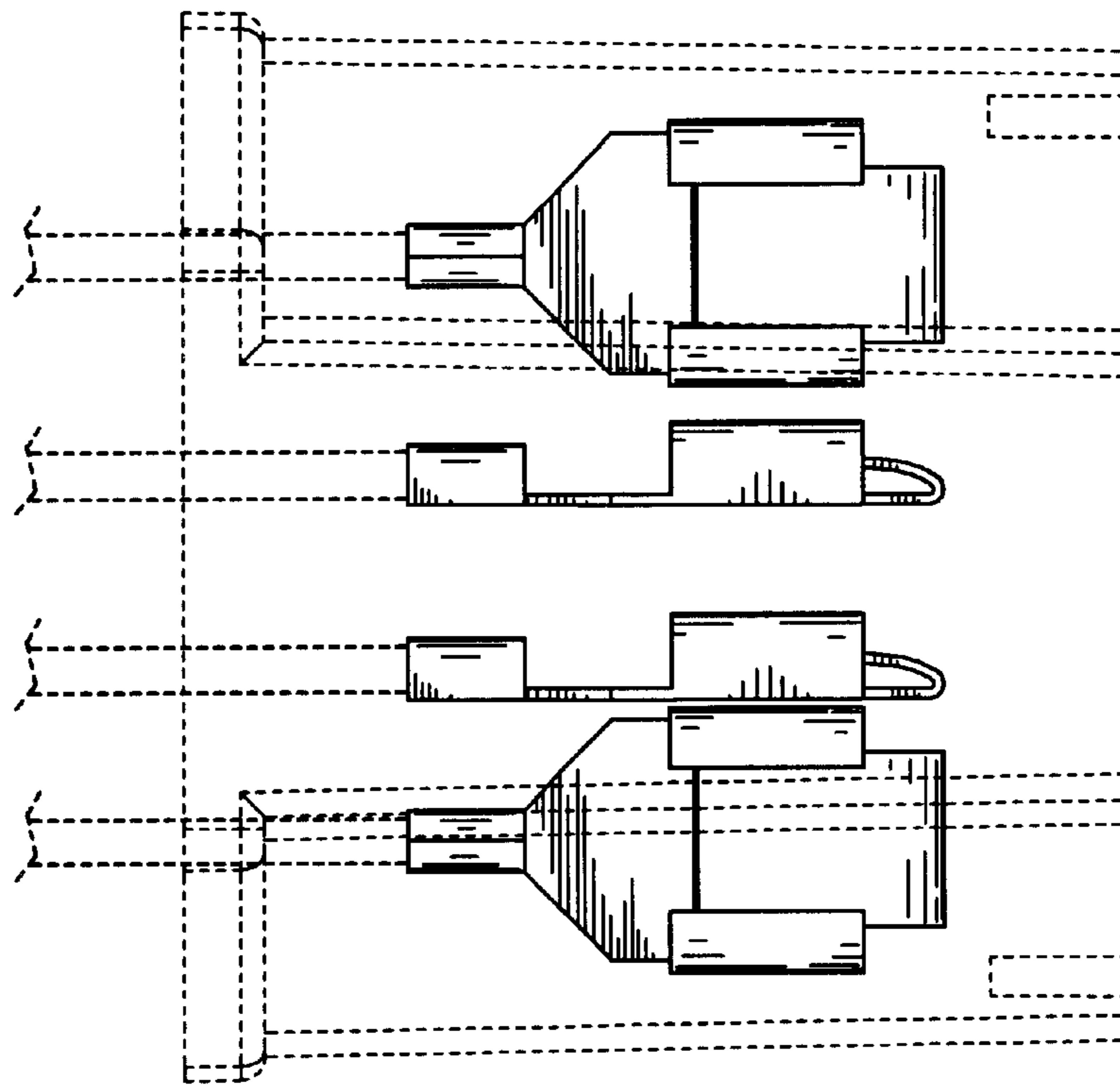


Fig.5

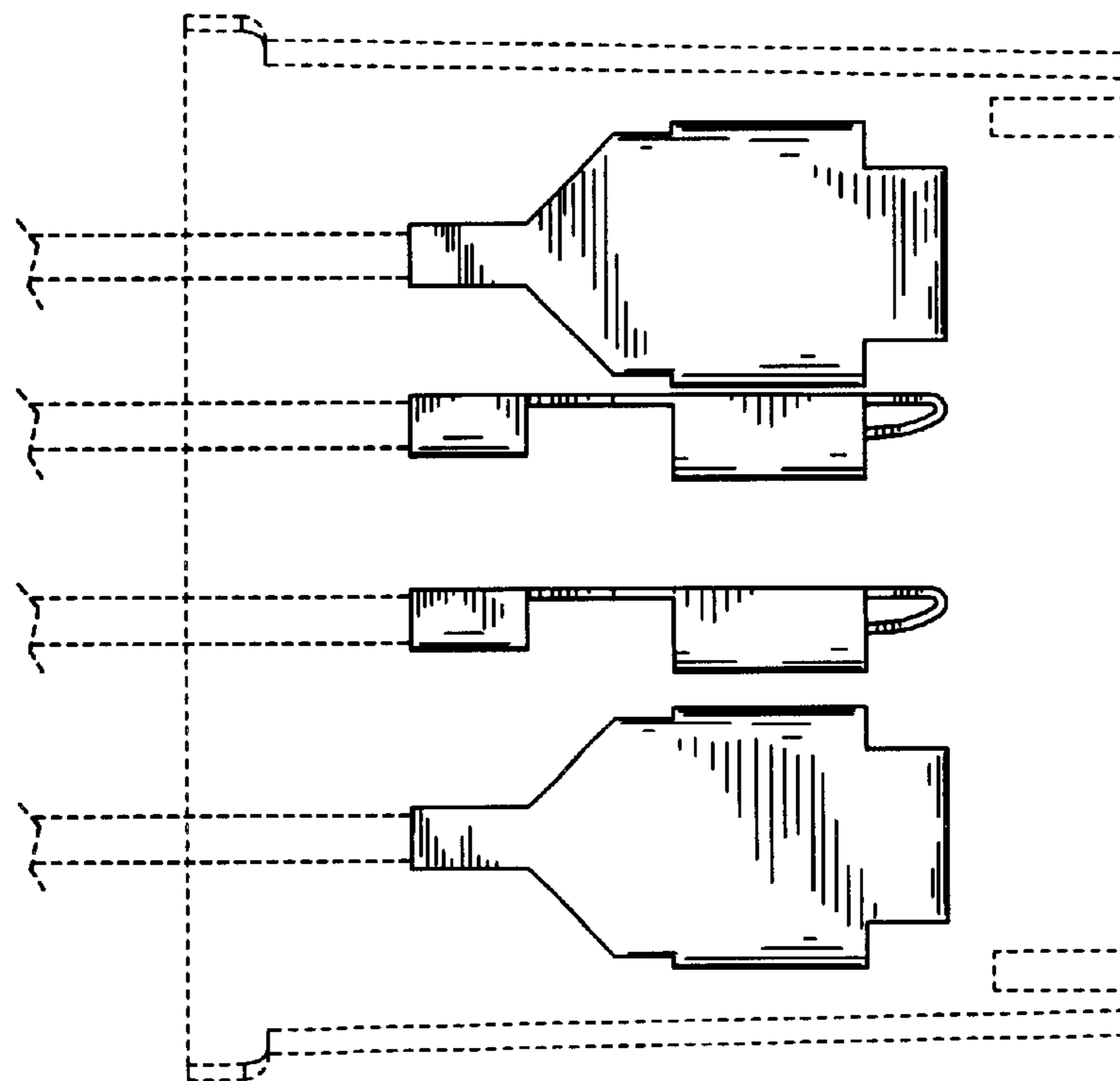


Fig.6