



US00D471156S

(12) **United States Design Patent**
Sass et al.

(10) **Patent No.:** **US D471,156 S**
(45) **Date of Patent:** **** Mar. 4, 2003**

(54) **ELECTRICAL ADAPTER PLUG WITH CONTROL BUTTON**

D448,006 S * 9/2001 Lee D13/133
D461,452 S * 8/2002 Yeh D13/147

(75) Inventors: **Tony Sass**, Morrisville, NC (US); **Brad Brown**, Salem, UT (US)

* cited by examiner

(73) Assignee: **ATL Technology, L.C.**, Springville, UT (US)

Primary Examiner—Joel Sincavage

(**) Term: **14 Years**

(74) *Attorney, Agent, or Firm*—Thorpe North & Western L.L.P.

(21) Appl. No.: **29/160,871**

(22) Filed: **May 15, 2002**

(51) **LOC (7) Cl.** **13-03**

(52) **U.S. Cl.** **D13/133**

(58) **Field of Search** D13/133, 146, D13/147; 439/352, 357, 358, 610

(57) **CLAIM**

What is claimed is the ornamental design for an electrical adapter plug with control button, as shown and described herein.

DESCRIPTION

(56) **References Cited**

U.S. PATENT DOCUMENTS

D351,135 S * 10/1994 Kurata D13/147
D376,581 S * 12/1996 Suzuki D13/147
5,797,771 A * 8/1998 Garside 439/610
5,812,660 A * 9/1998 Suzuki et al. 379/438
5,816,841 A * 10/1998 Grant 439/354
5,934,942 A * 8/1999 Patel et al. 439/610
D422,560 S * 4/2000 Lok D13/147

FIG. 1 is an elevated, prospective view of the electrical adapter plug with control button in accordance with my invention;

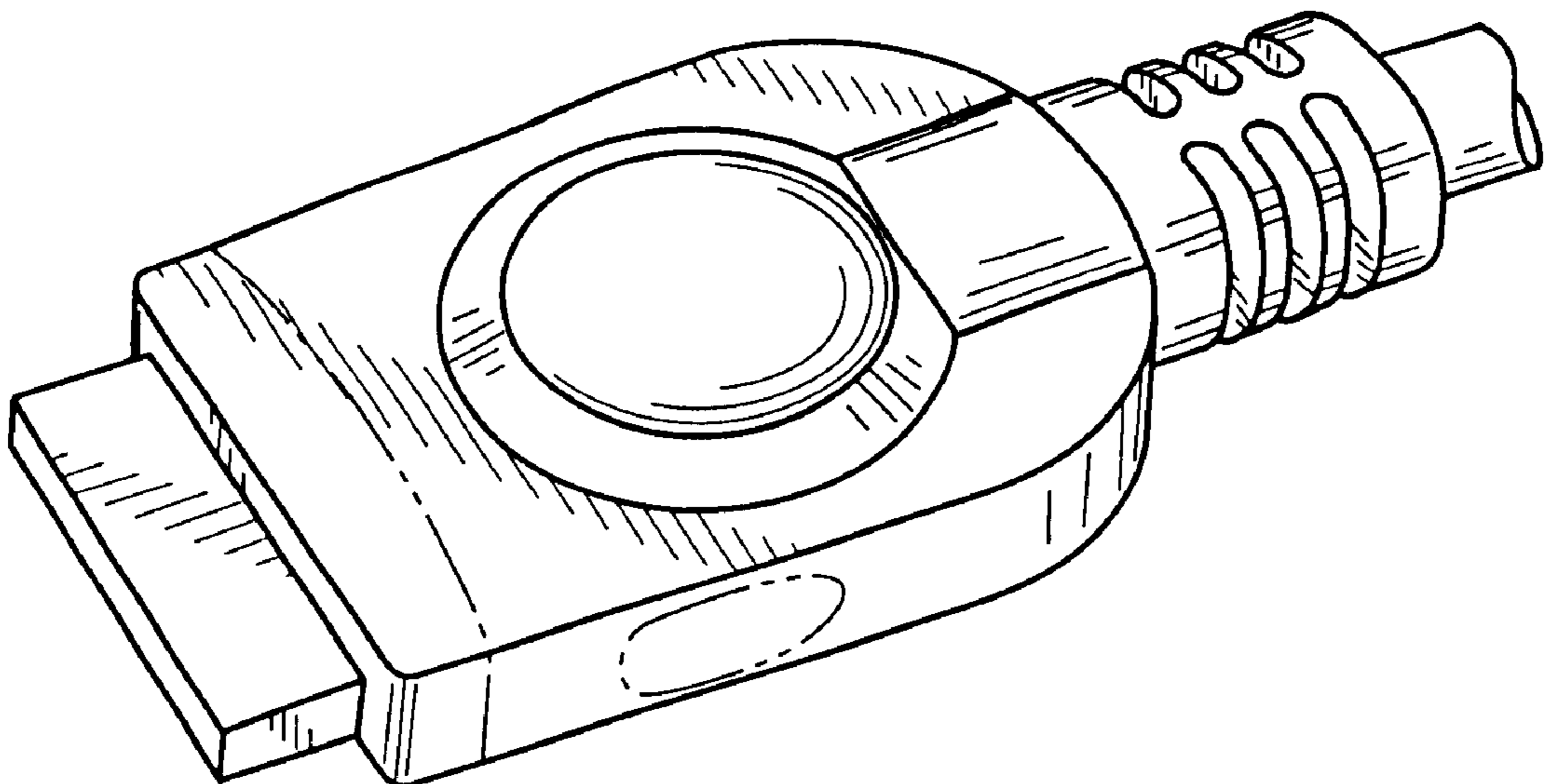
FIG. 2 is a top view thereof;

FIG. 3 is a bottom view thereof;

FIG. 4 is a side view of my invention as shown in FIG. 1, an opposing side view being the mirror image thereof; and, FIG. 5 is an end view, taken from the left side of FIG. 1.

The broken lines throughout the drawing figures are included for the purpose of illustrating portions of the plug that form no part of the claimed design.

1 Claim, 1 Drawing Sheet



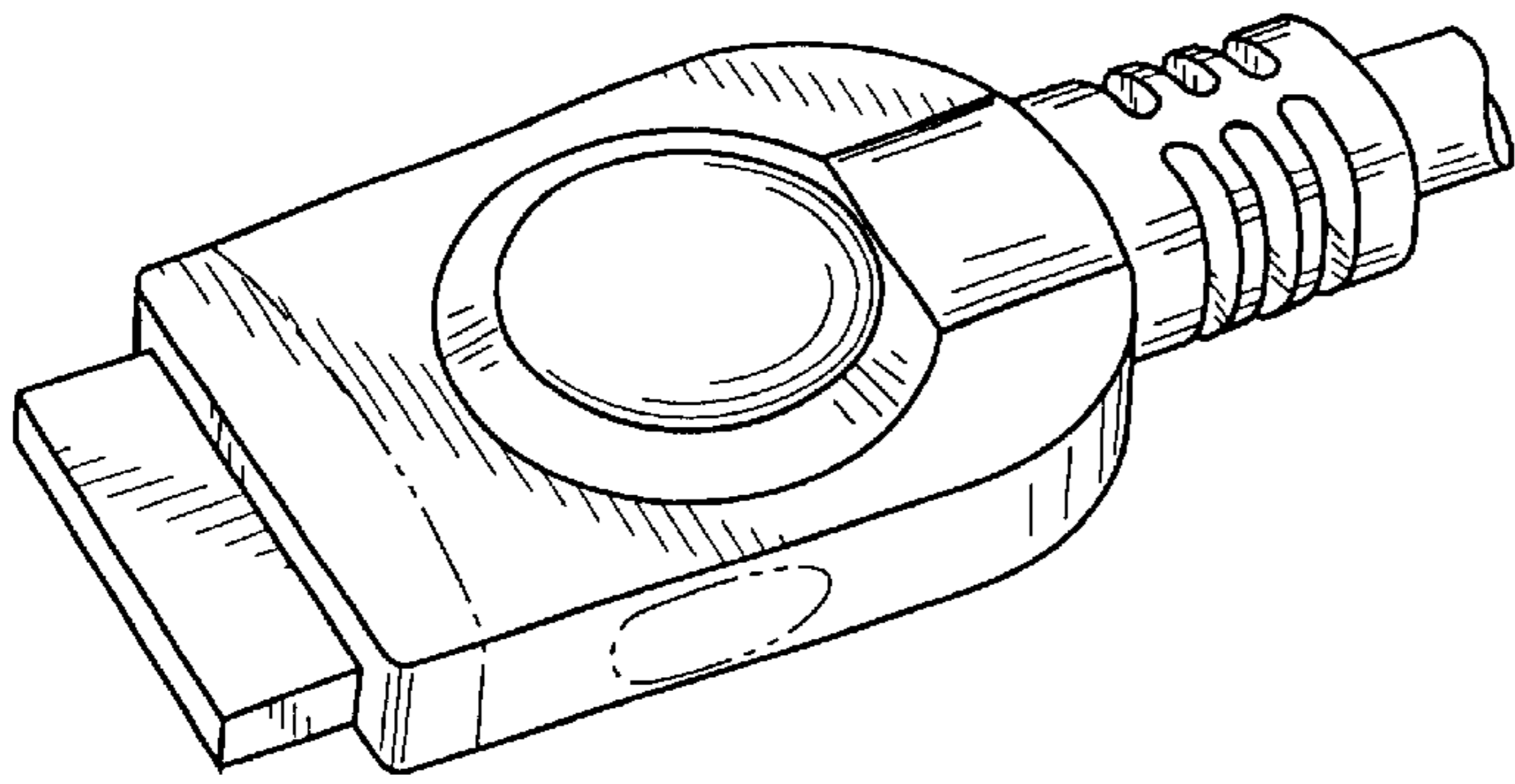


Fig. 1

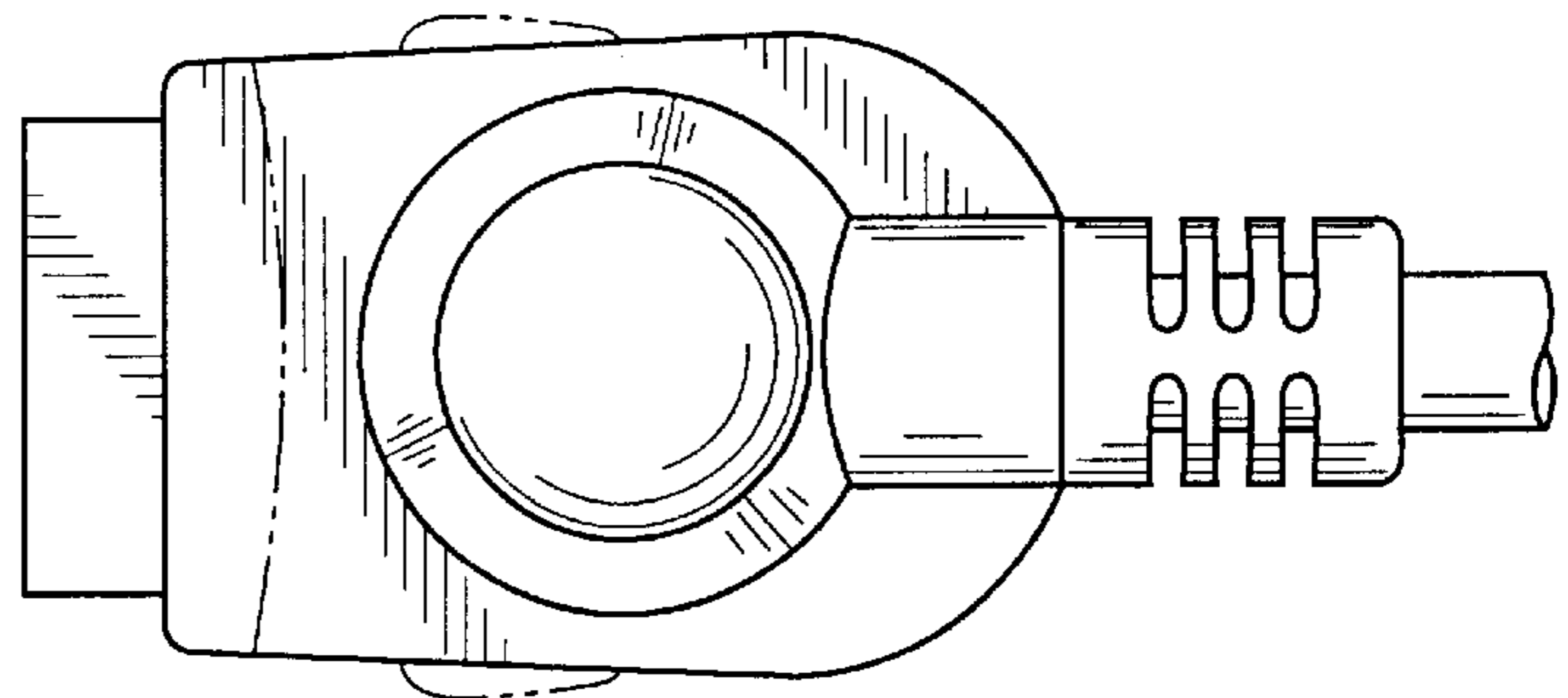


Fig. 2

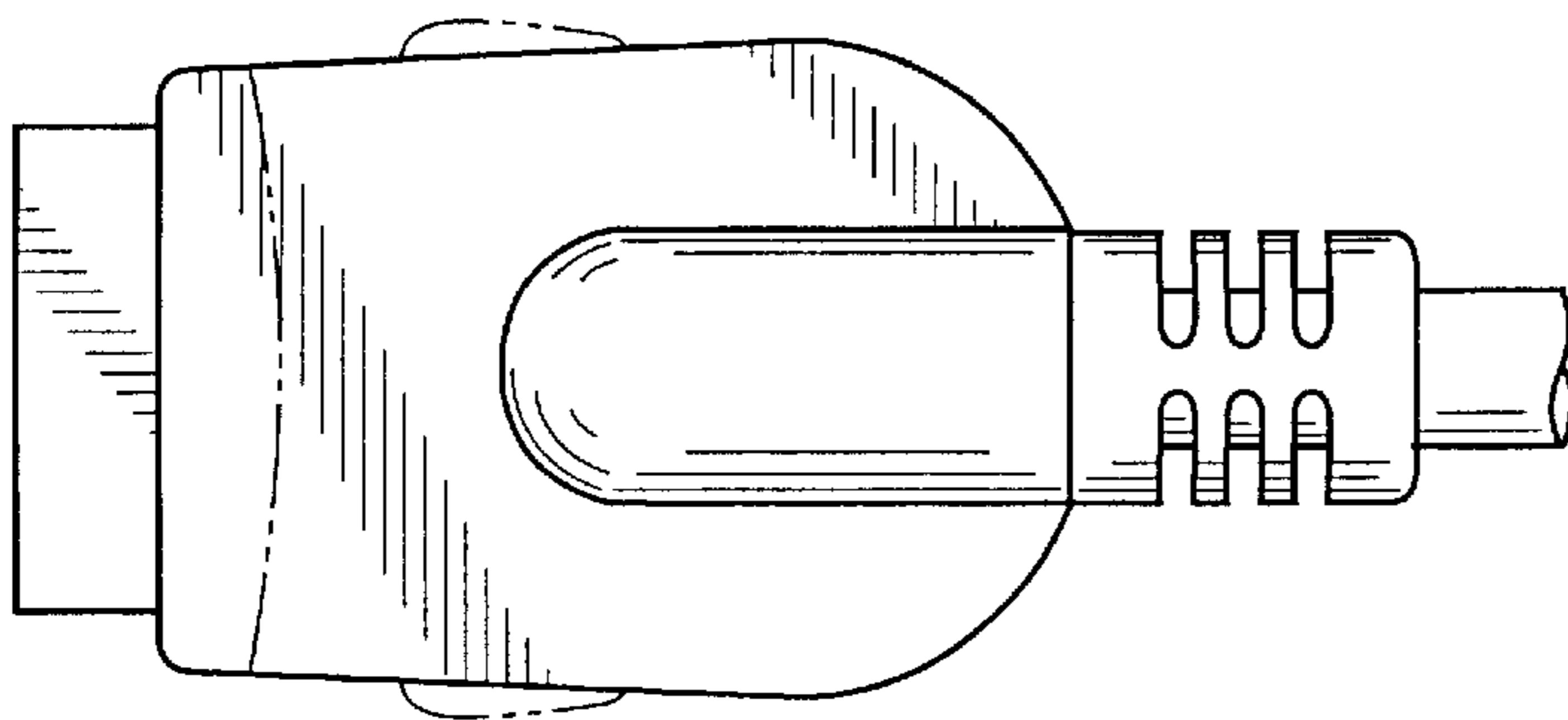


Fig. 3

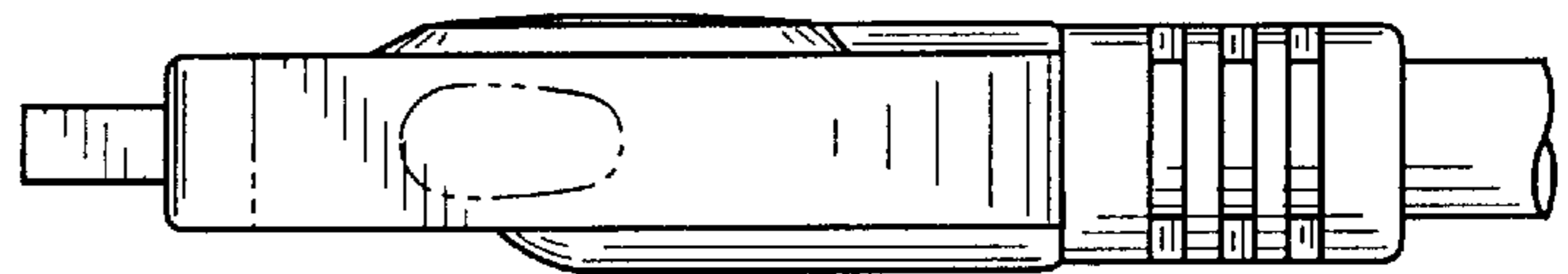


Fig. 4

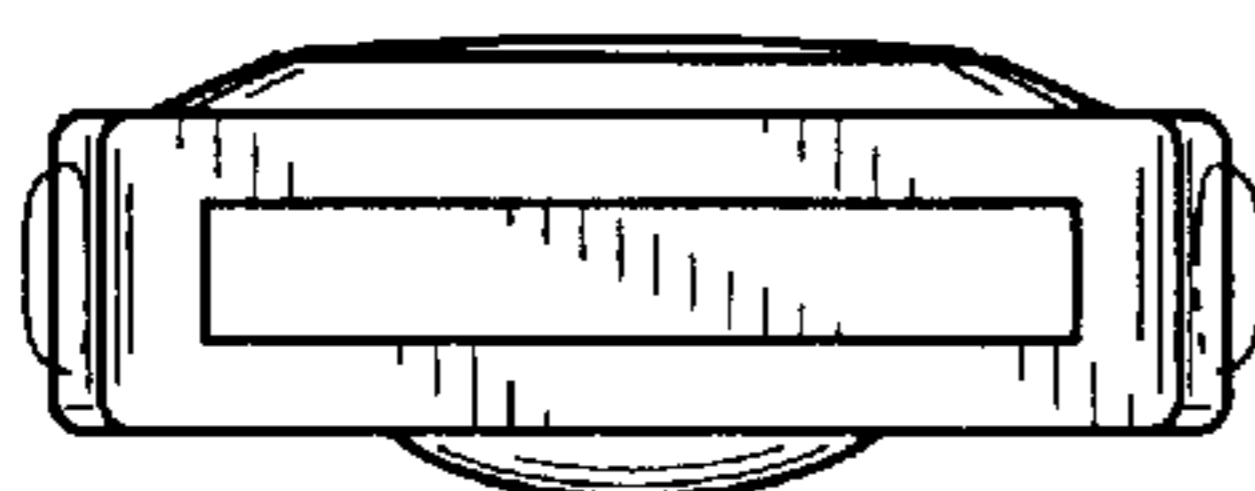


Fig. 5