



US00D471155S

(12) **United States Design Patent**  
**Cheng**

(10) **Patent No.:** **US D471,155 S**

(45) **Date of Patent:** **\*\* Mar. 4, 2003**

(54) **OPTICAL FIBER PLUG**

(76) **Inventor:** **Yu-Feng Cheng**, No. 7, Fuhsing St.,  
Tucheng Ind. Dist., Tucheng City,  
Taipei Hsien (TW)

(\*\*) **Term:** **14 Years**

(21) **Appl. No.:** **29/160,039**

(22) **Filed:** **May 1, 2002**

(51) **LOC (7) Cl.** ..... **13-03**

(52) **U.S. Cl.** ..... **D13/133**

(58) **Field of Search** ..... D13/133, 154;  
385/55, 58, 60, 78

(56) **References Cited**

**U.S. PATENT DOCUMENTS**

D296,325 S	*	6/1988	Hugin	.....	D13/133
4,844,570 A	*	7/1989	Tanabe	.....	385/60
4,895,145 A	*	1/1990	Joffe et al.	.....	606/11
5,212,753 A	*	5/1993	Maranto	.....	385/80
5,390,270 A	*	2/1995	Hanzawa et al.	.....	385/81
5,692,090 A	*	11/1997	Szegda	.....	385/139

5,694,508 A	*	12/1997	May et al.	.....	385/81
6,186,671 B1	*	2/2001	Rucks et al.	.....	385/78 X
6,224,270 B1	*	5/2001	Nakajima et al.	.....	385/78
D451,073 S	*	11/2001	Yasuda et al.	.....	D13/133
D456,363 S	*	4/2002	Lee	.....	D13/154

\* cited by examiner

*Primary Examiner*—Joel Sincavage

(74) *Attorney, Agent, or Firm*—Dellett & Walters

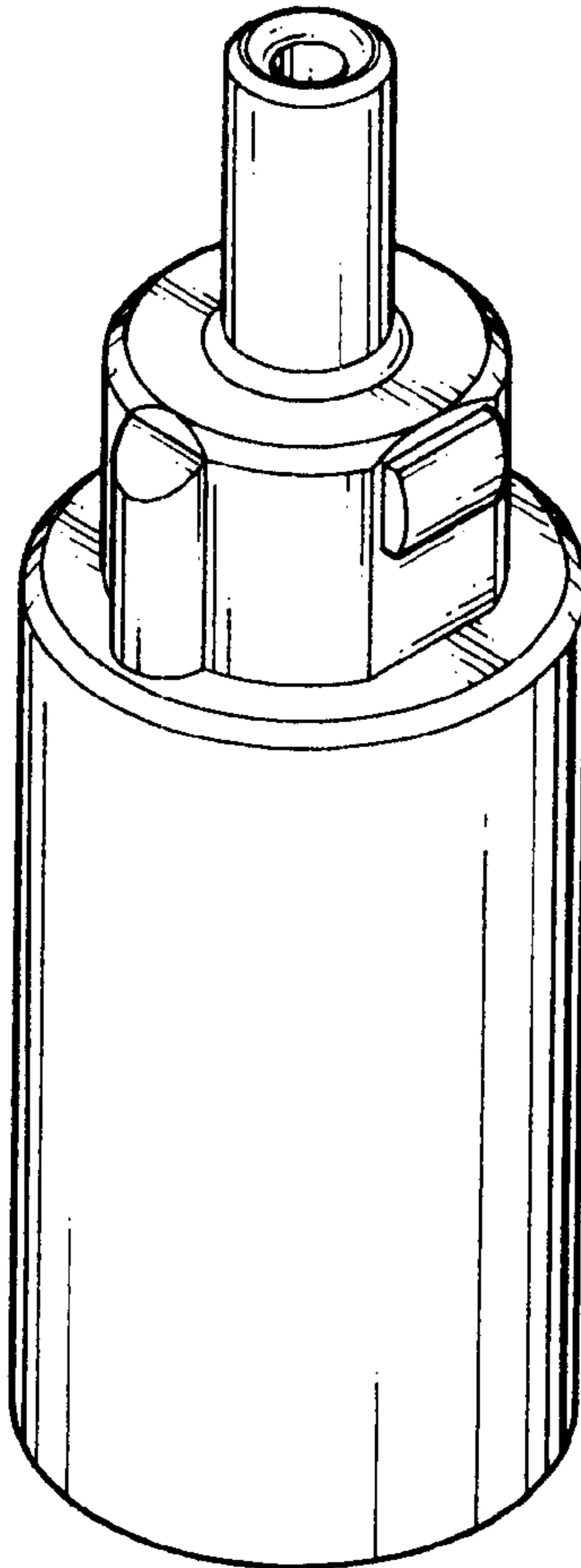
(57) **CLAIM**

The ornamental design for an optical fiber plug, as shown.

**DESCRIPTION**

FIG. 1 is a perspective view of an optical fiber plug, showing my new design;  
 FIG. 2 is a front elevational view thereof;  
 FIG. 3 is a rear elevational view thereof;  
 FIG. 4 is a left elevational view thereof;  
 FIG. 5 is a right elevational view thereof;  
 FIG. 6 is top plan view thereof; and,  
 FIG. 7 is a bottom plan view thereof.

**1 Claim, 4 Drawing Sheets**



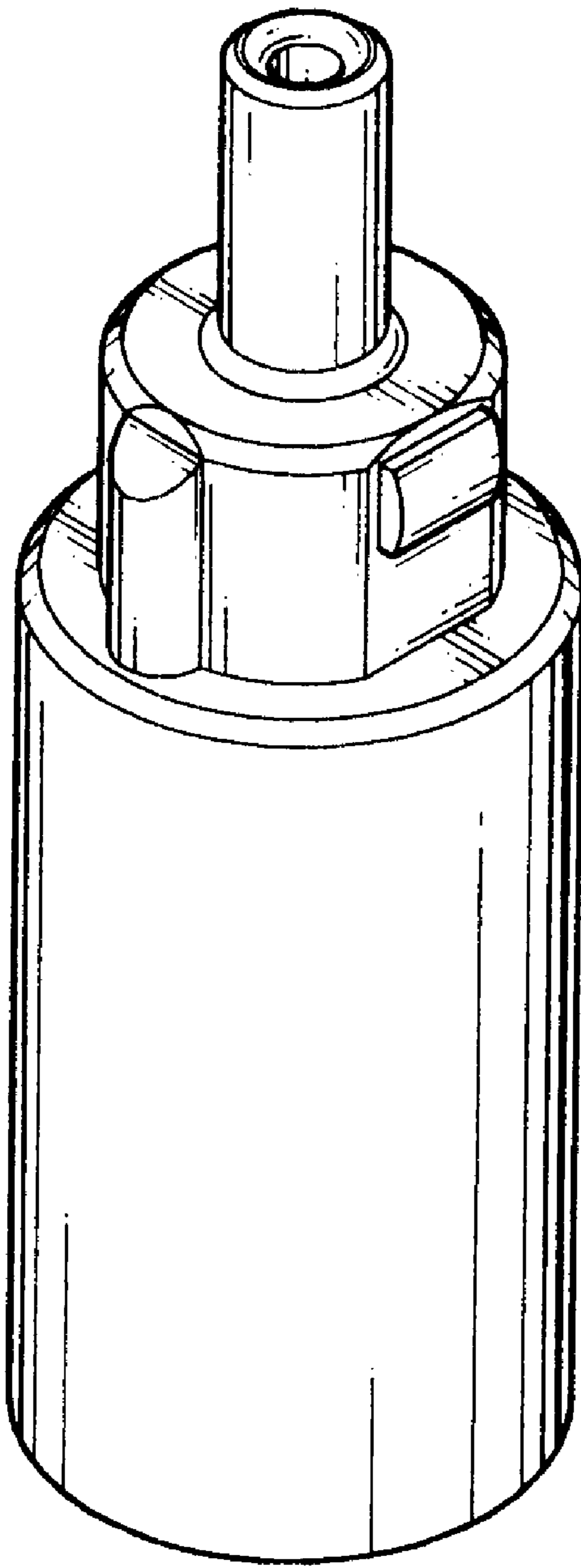


FIG. 1

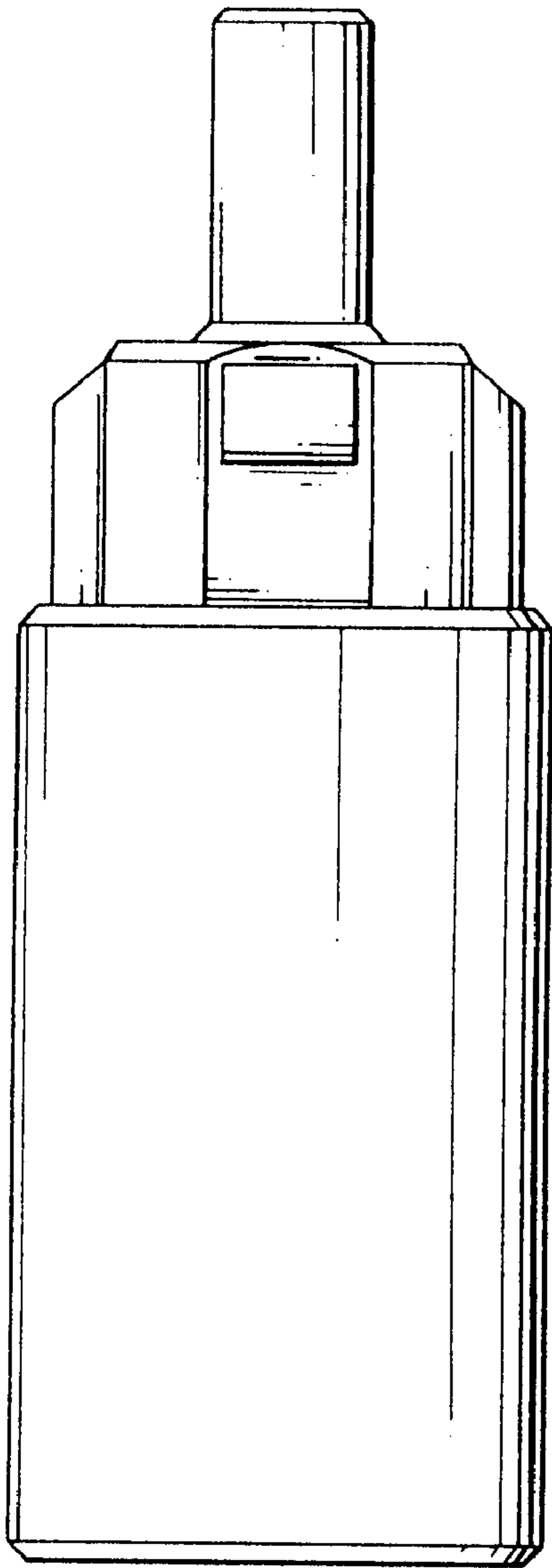


FIG. 2

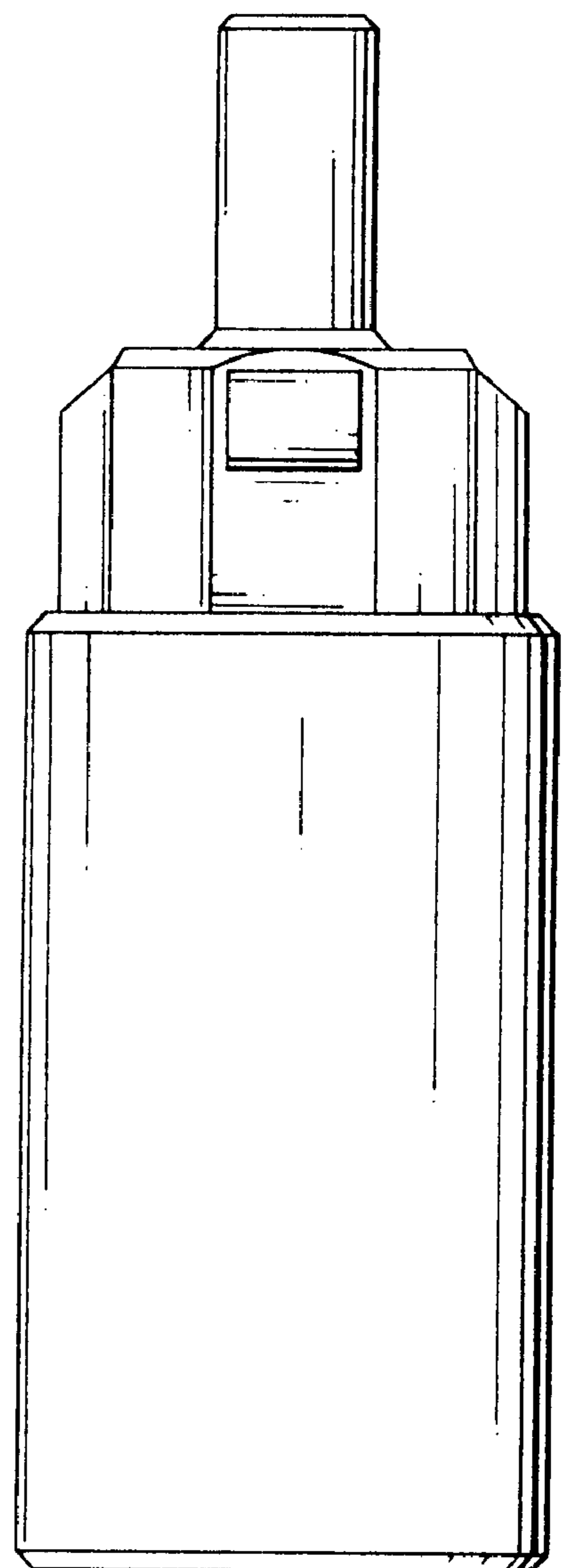


FIG. 3

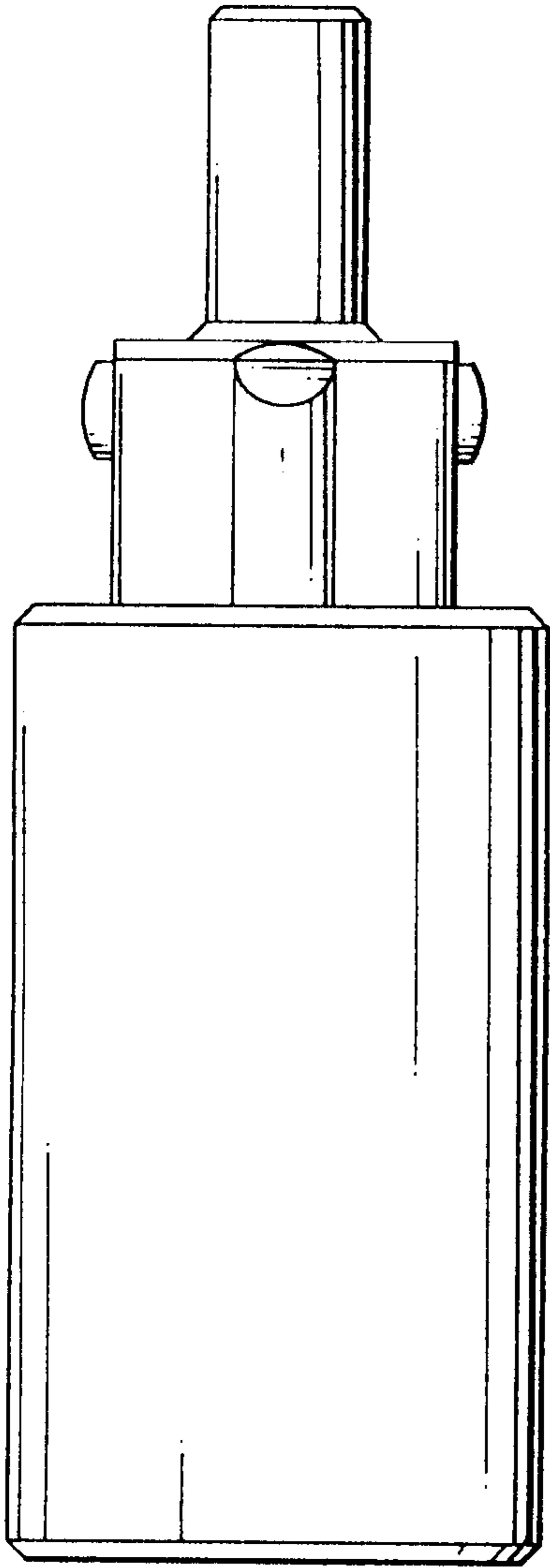


FIG. 4

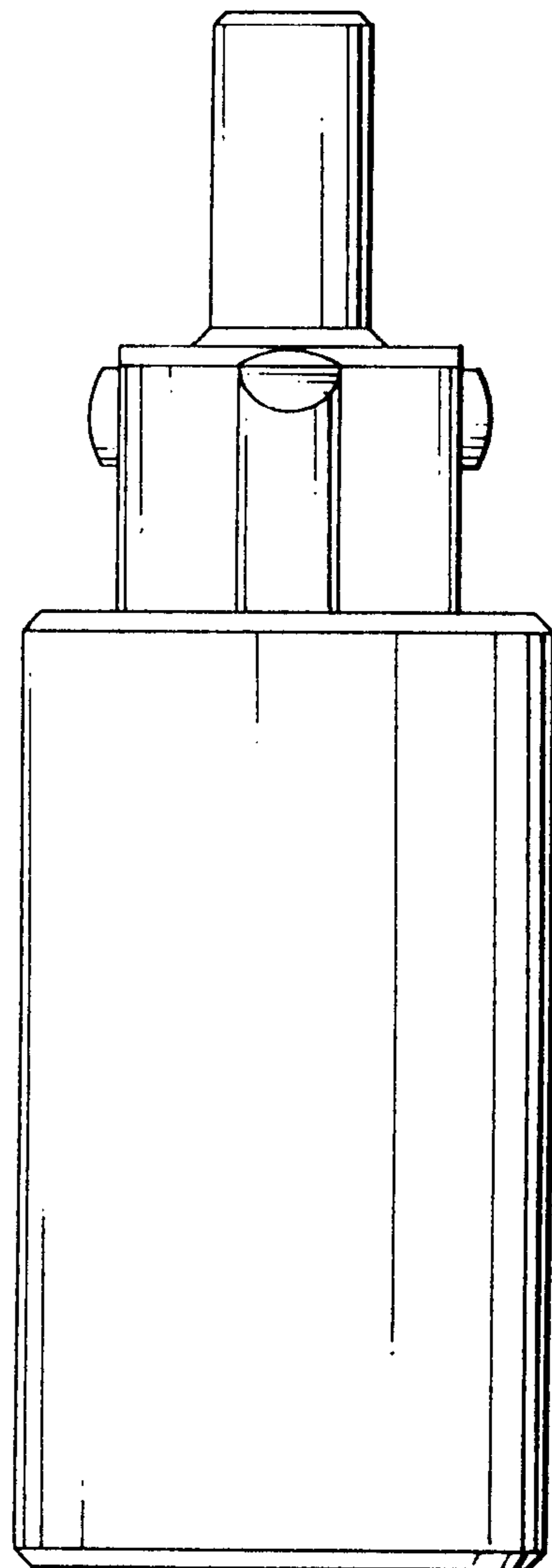


FIG. 5

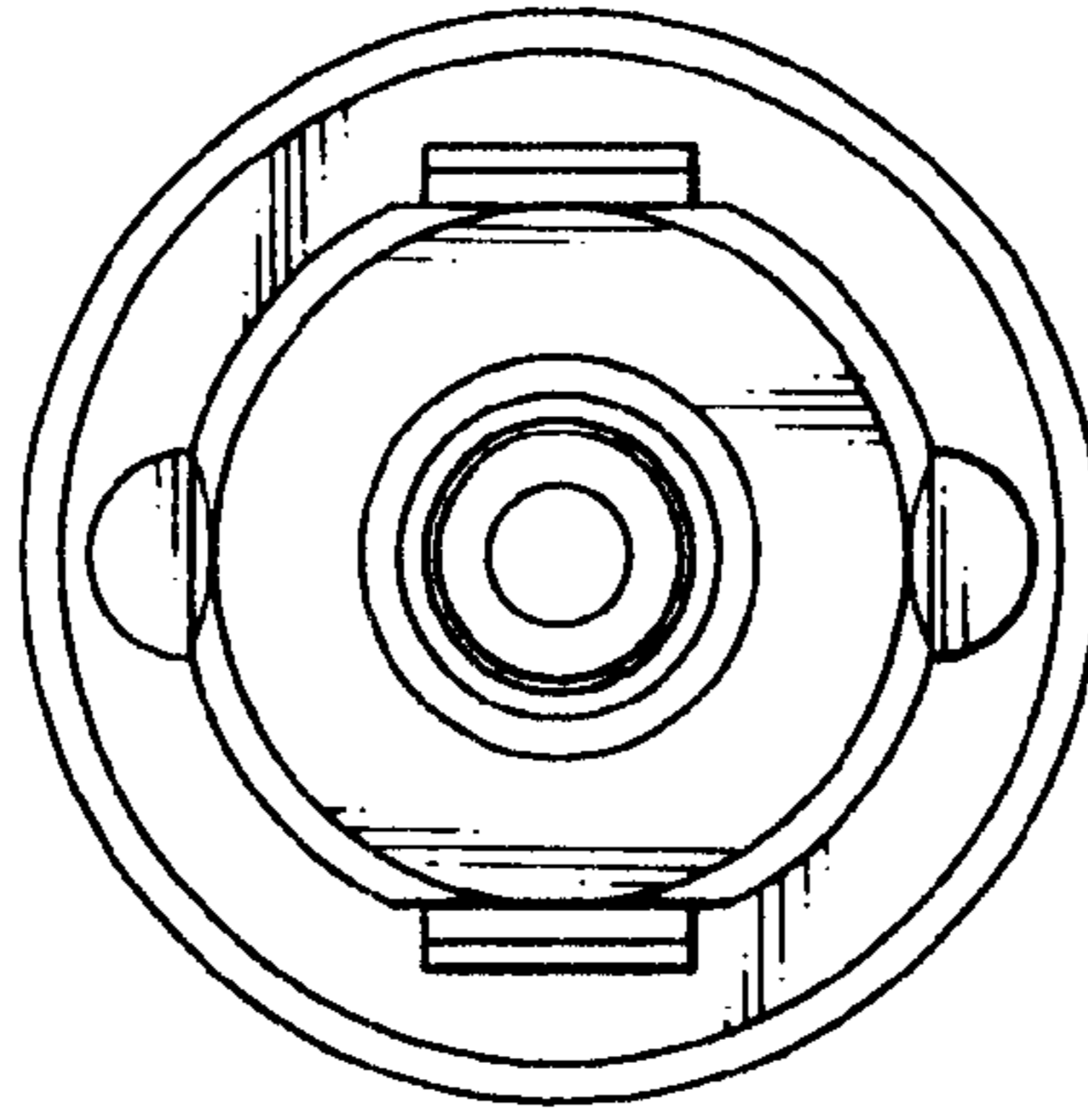


FIG. 6

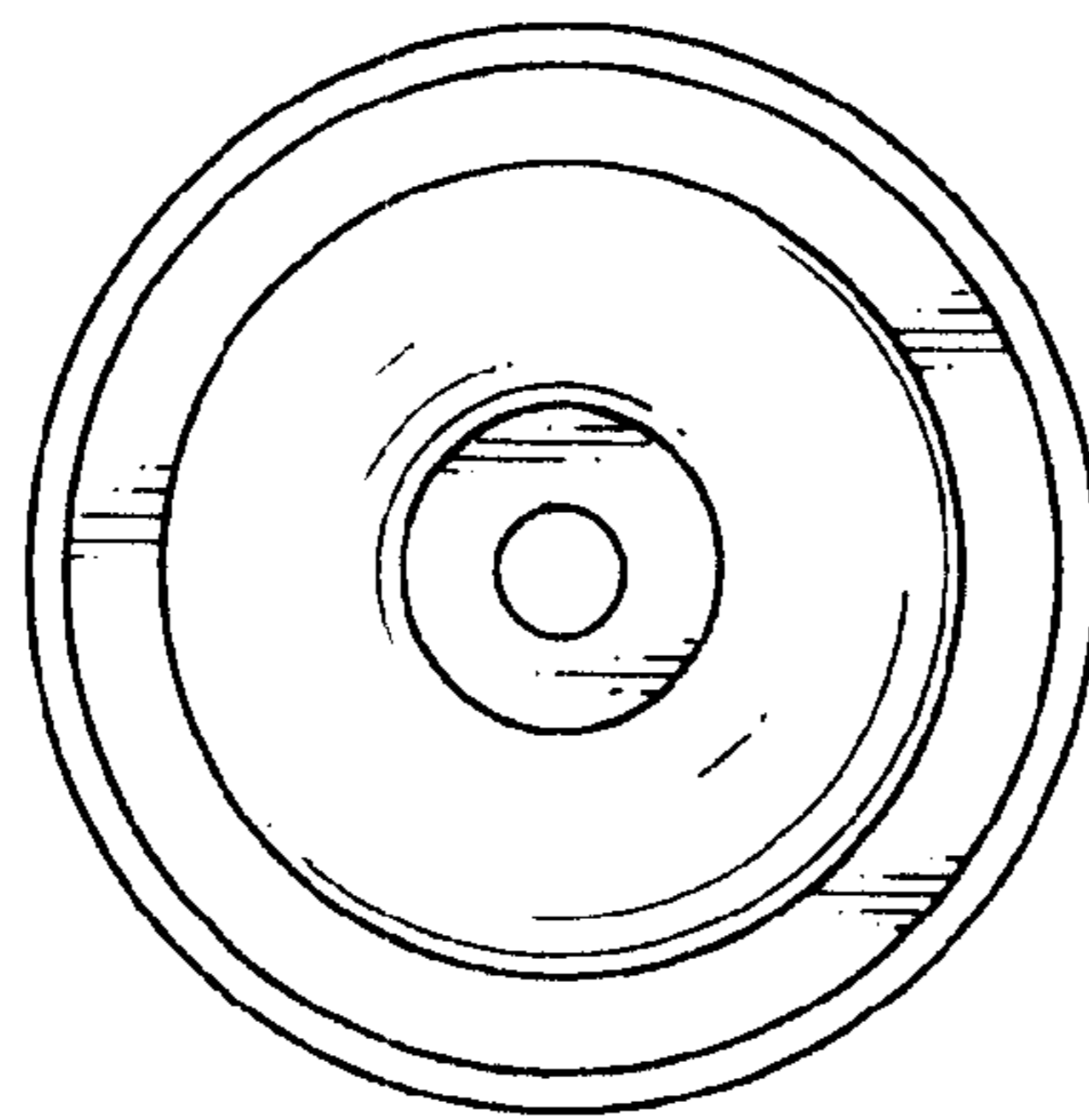


FIG. 7